

[54] TOOTHBRUSH COVER

[76] Inventor: Martin E. Rudnick, 2353 Rupert Dr., San Jose, Calif. 95124

[**] Term: 14 Years

[21] Appl. No.: 765,409

[22] Filed: Aug. 13, 1985

[52] U.S. Cl. D4/199

[58] Field of Search D4/108, 121, 199; 15/184; 132/84; 401/361, 362.1, 362.2, 362.3, 15.2, 15.3, 368, 369, 209, 209.1, 63.5

[56] References Cited

U.S. PATENT DOCUMENTS

D. 279,941 8/1985 Aglin D4/199
2,655,968 10/1953 Simmons 206/362.3 X

3,331,493 7/1967 Anglin 206/361
3,746,162 7/1973 Bridges 206/361

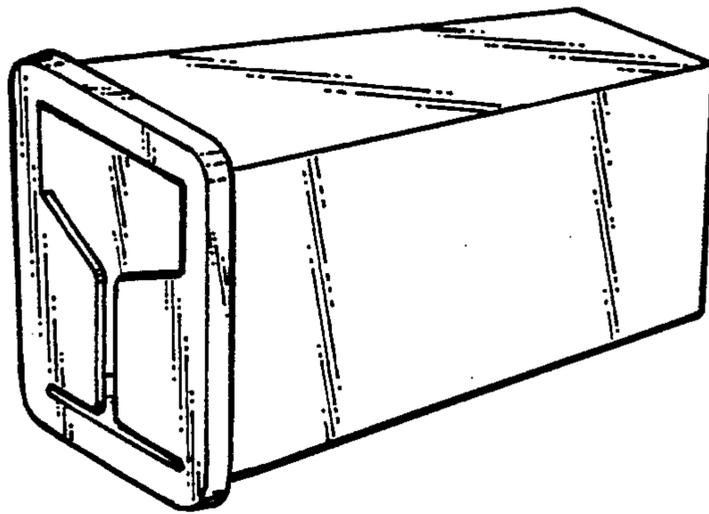
Primary Examiner—Catherine E. Kemper
Attorney, Agent, or Firm—Townsend and Townsend

[57] CLAIM

The ornamental design for a toothbrush cover, as shown.

DESCRIPTION

FIG. 1 is a perspective view of a toothbrush cover showing my new design;
FIG. 2 is a top plan view thereof;
FIG. 3 is a front elevational view thereof;
FIG. 4 is a right side elevational view thereof;
FIG. 5 is a left side elevational view thereof;
FIG. 6 is a rear elevational view thereof;
FIG. 7 is a bottom plan view thereof.



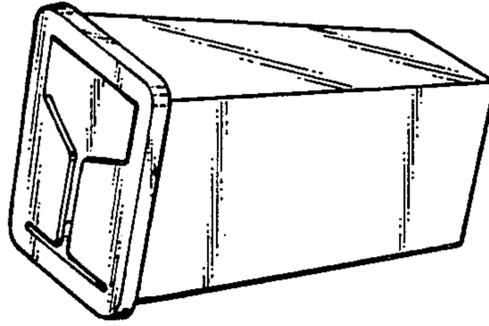


FIG. 1.

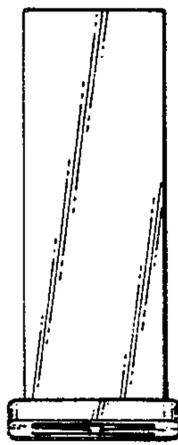


FIG. 2.

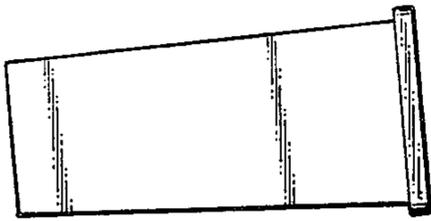


FIG. 5.

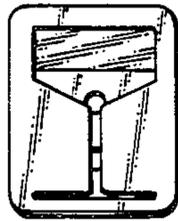


FIG. 3.

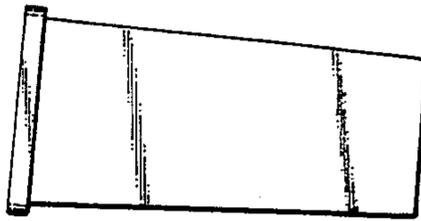


FIG. 4.

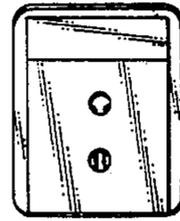


FIG. 6.

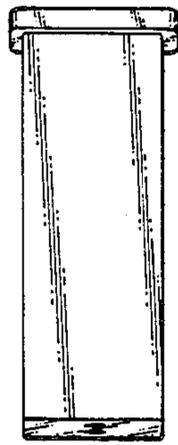


FIG. 7.