

[54] WRAPPING TABLE

[76] Inventor: Ernest J. Garr, 3587 Powell Dr., Lafayette, Calif. 94549

[\*\*] Term: 14 Years

[21] Appl. No.: 705,231

[22] Filed: Feb. 25, 1985

[52] U.S. Cl. .... D6/449; D6/406; D6/420; D6/485

[58] Field of Search ..... D6/406, 419, 420, 471, D6/480, 485; 248/441.1

[56] References Cited

U.S. PATENT DOCUMENTS

- D. 252,301 7/1979 McCarty ..... D6/419 X
- D. 281,842 12/1985 Blocklinger ..... D6/419
- D. 282,034 1/1986 Janke ..... D6/480

2,176,178 10/1939 Herfort ..... 248/441.1

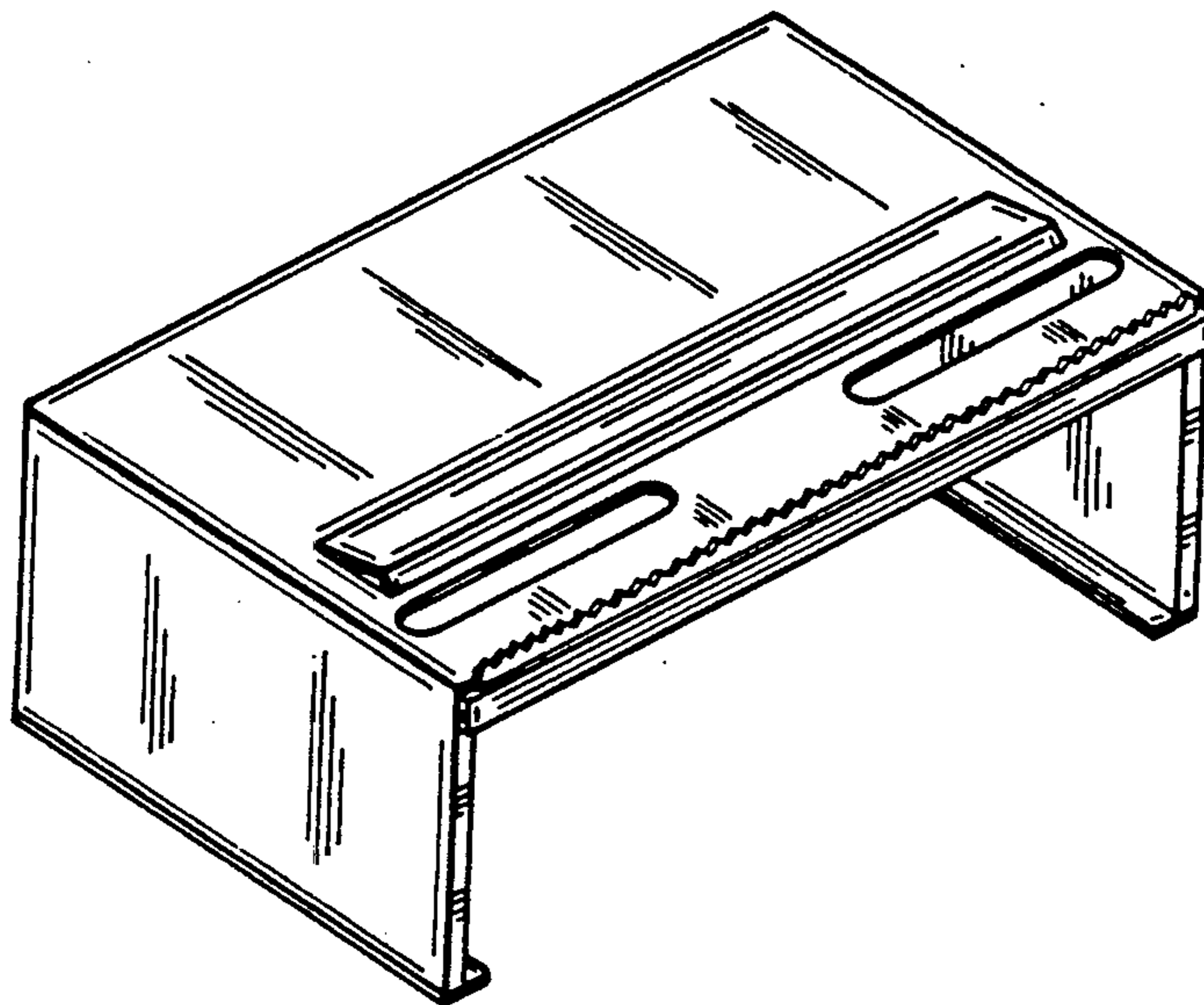
Primary Examiner—Bruce W. Dunkins  
Attorney, Agent, or Firm—Flehr, Hohbach, Test, Albritton & Herbert

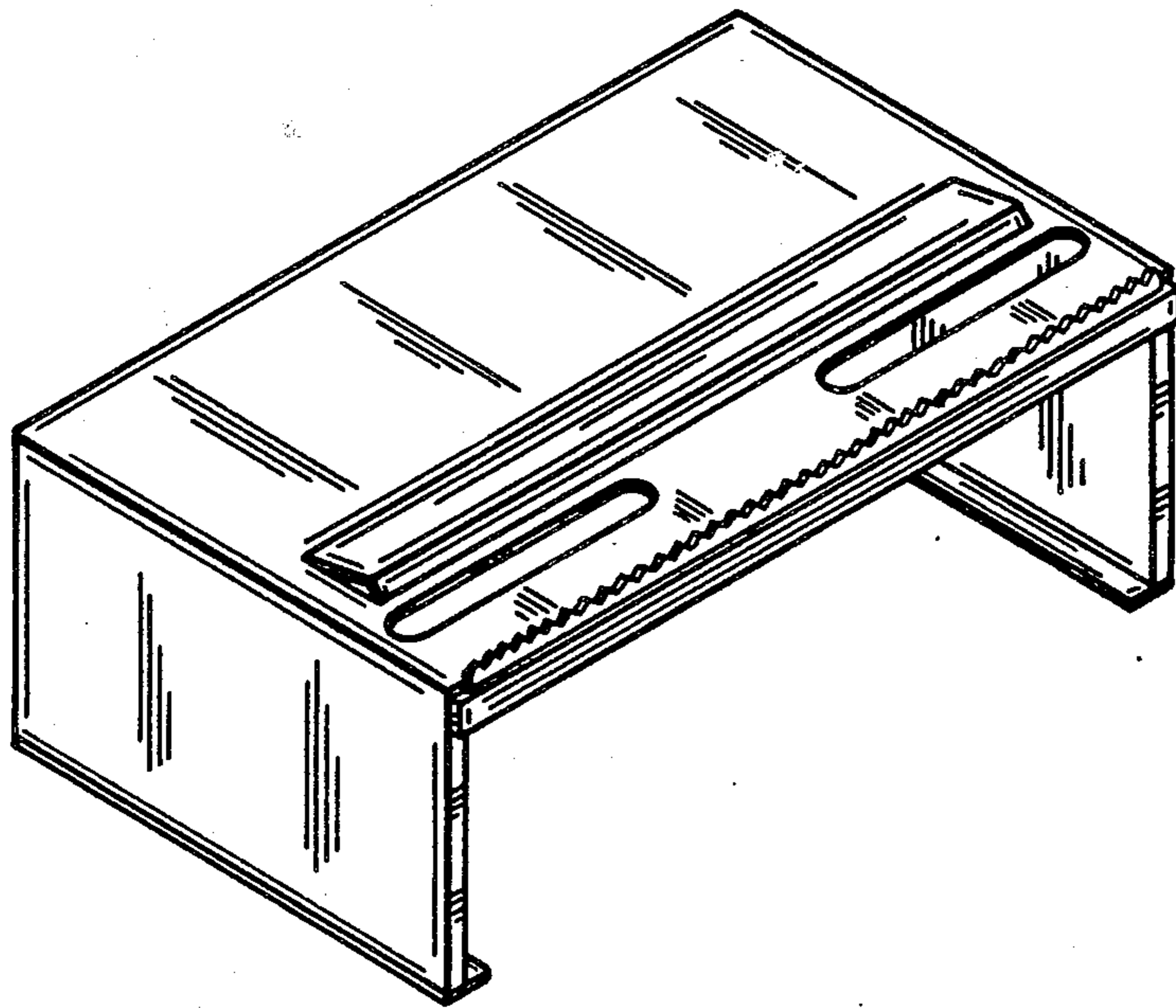
[57] CLAIM

The ornamental design for a wrapping table, as shown and described.

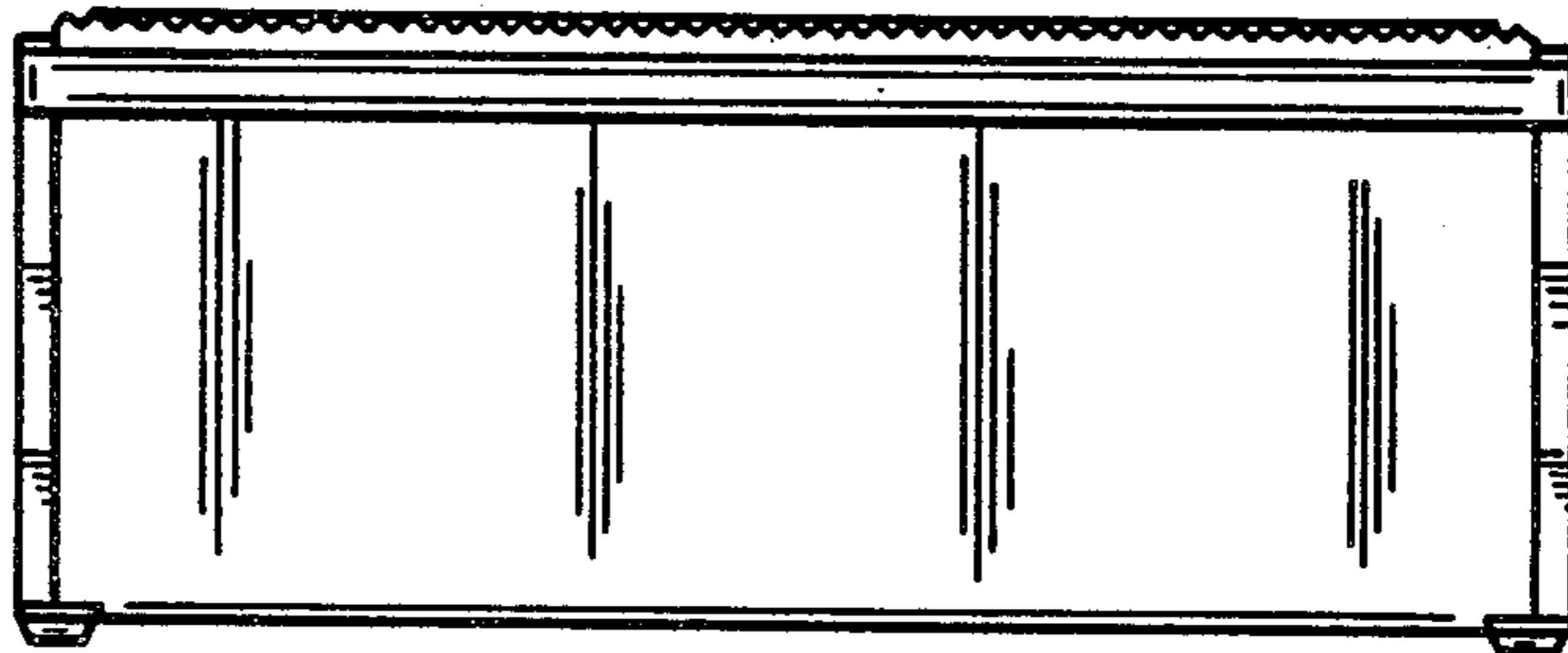
DESCRIPTION

FIG. 1 is a front isometric view of a wrapping table showing my new design;  
FIG. 2 is a front elevational view thereof;  
FIG. 3 is a rear elevational view thereof;  
FIG. 4 is a top plan view thereof;  
FIG. 5 is a bottom plan view thereof; and  
FIG. 6 is a left side elevational view thereof, the right side being a mirror image of the left side.

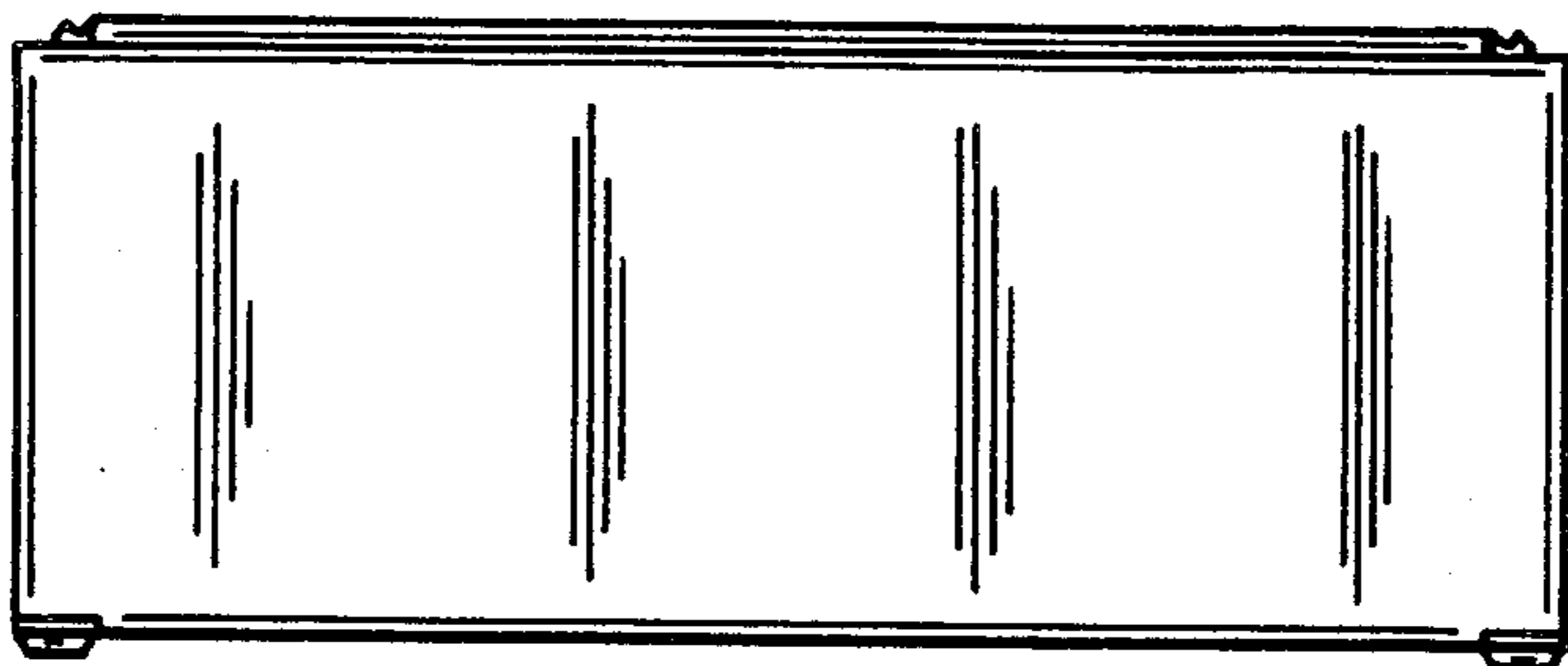




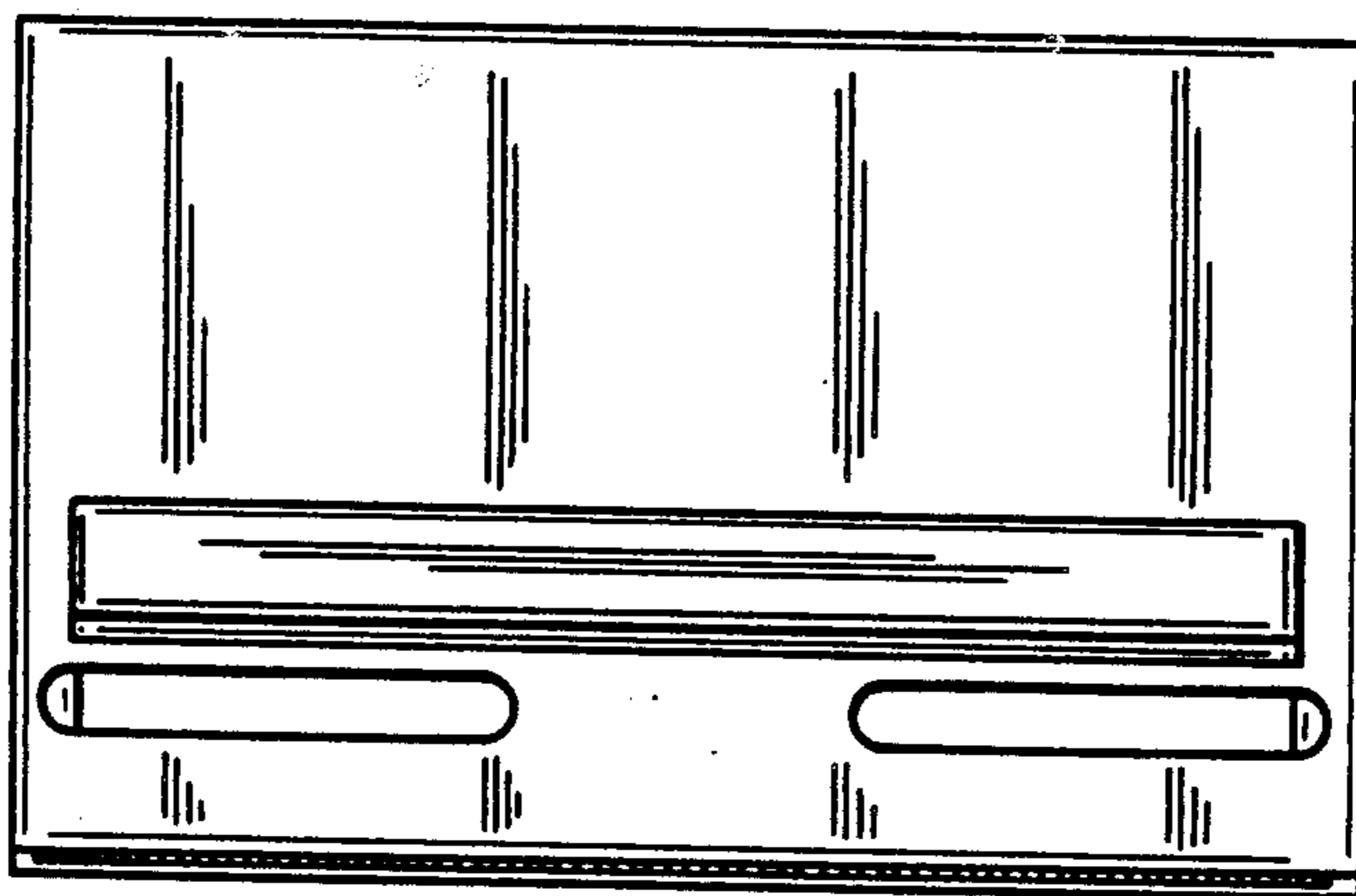
*FIG\_1*



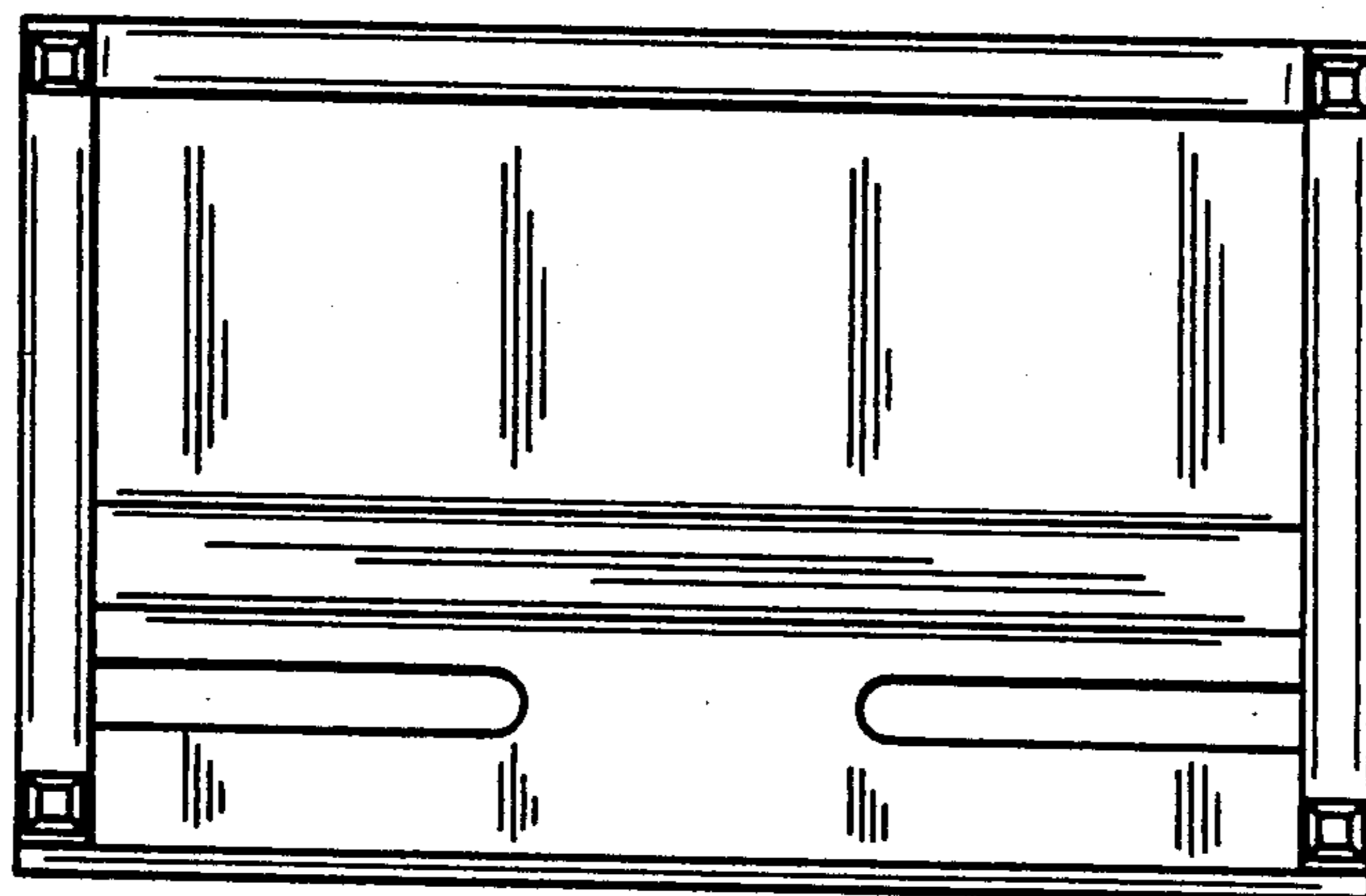
*FIG\_2*



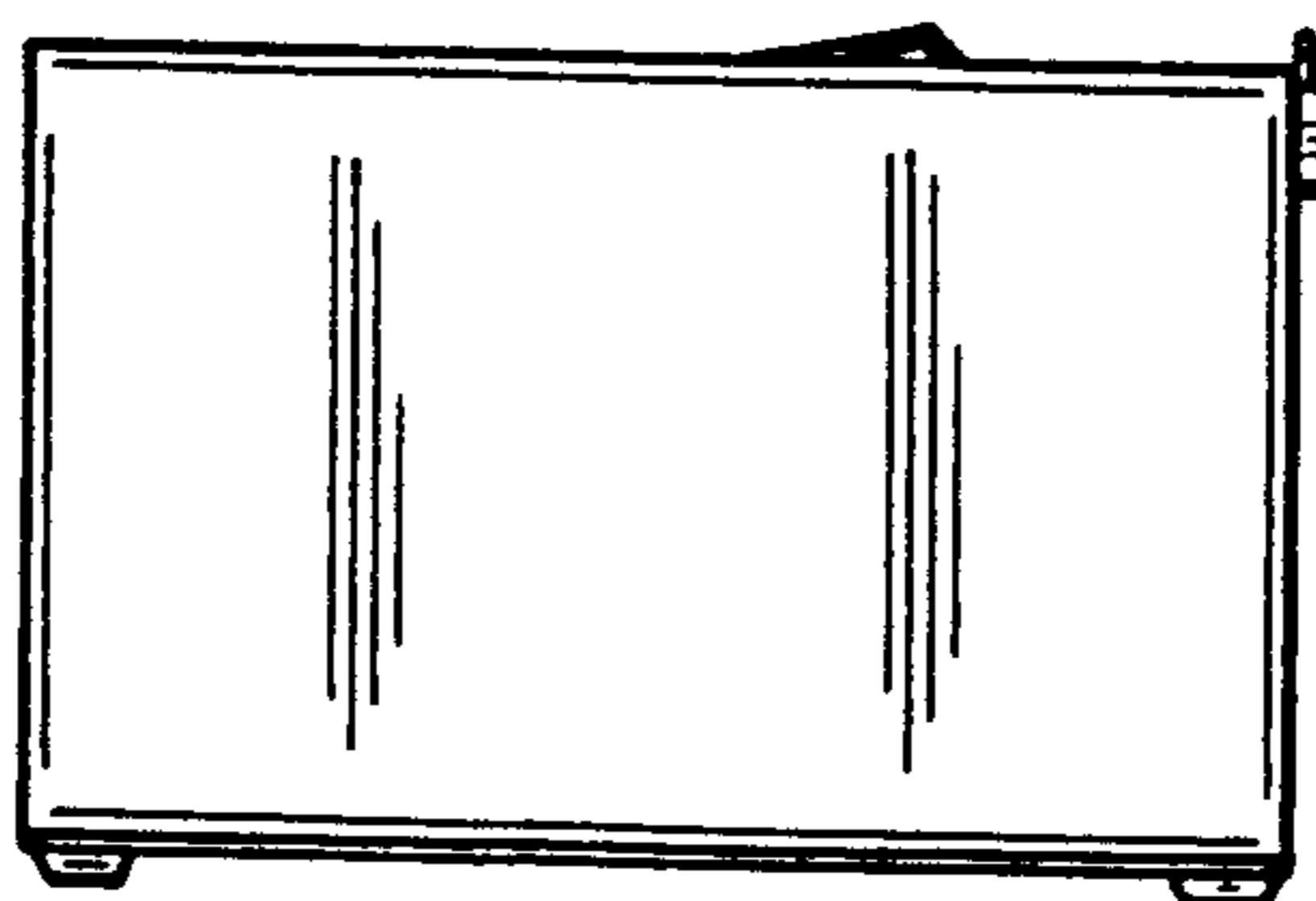
*FIG\_3*



FIG\_4



FIG\_5



FIG\_6