

[54] **PRISMATIC COSMETIC CONTAINER**

[75] **Inventor: Walter W. Kemmerer, Peekskill, N.Y.**

[73] **Assignee: Guild Molders, Inc., Middletown, N.Y.**

[**] **Term: 14 Years**

[21] **Appl. No.: 781,005**

[22] **Filed: Sep. 27, 1985**

[52] **U.S. Cl. D28/76; D9/413**

[58] **Field of Search D9/349, 352, 355, 390, D9/399, 413, 377, 337, 338; D28/4-9, 77-91.1; 206/581, 235, 385, 823; 132/1 R, 79 R-79 G, 79 F, 79 R, 83 R, 82 R-82 F, 83 R, 83 B, 83 E-83 G, 88.5, 88.7, DIG. 1**

[56] **References Cited**

U.S. PATENT DOCUMENTS

D. 259,703 6/1981 Llorente D9/413
D. 263,281 3/1982 Smith D9/377
D. 283,398 4/1986 Van Dine D9/413

Primary Examiner—Louis S. Zarfaz
Attorney, Agent, or Firm—St. Onge Steward Johnston & Reens

[57] **CLAIM**

The ornamental design for a prismatic cosmetic container, substantially as shown and described.

DESCRIPTION

FIG. 1 is a perspective view of the prismatic cosmetic container showing my new design;

FIG. 2 is a top view thereof;

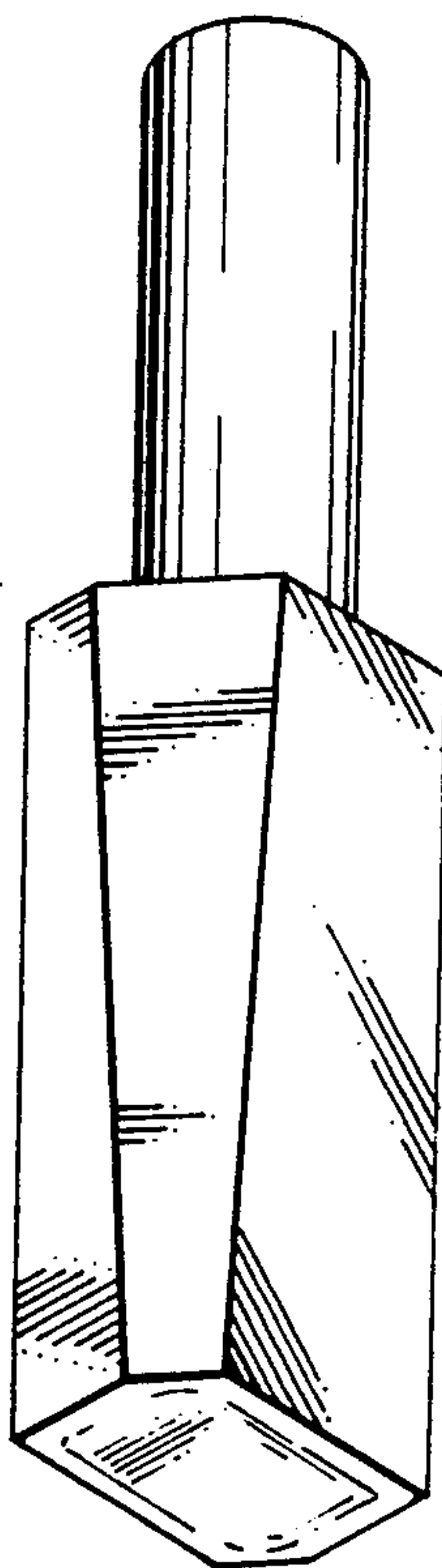
FIG. 3 is a bottom view thereof;

FIG. 4 is a side view showing the two uppermost surfaces of the container shown in FIG. 1;

FIG. 5 is a side view wherein the cosmetic container has been rotated clockwise (as seen from the top) 90 degrees from the view in FIG. 4;

FIG. 6 is a view of the cosmetic container rotated clockwise (as seen from the top) 90 degrees from the view in FIG. 5;

FIG. 7 is a view of the cosmetic container rotated clockwise (as seen from the top) 90 degrees from the view in FIG. 6.



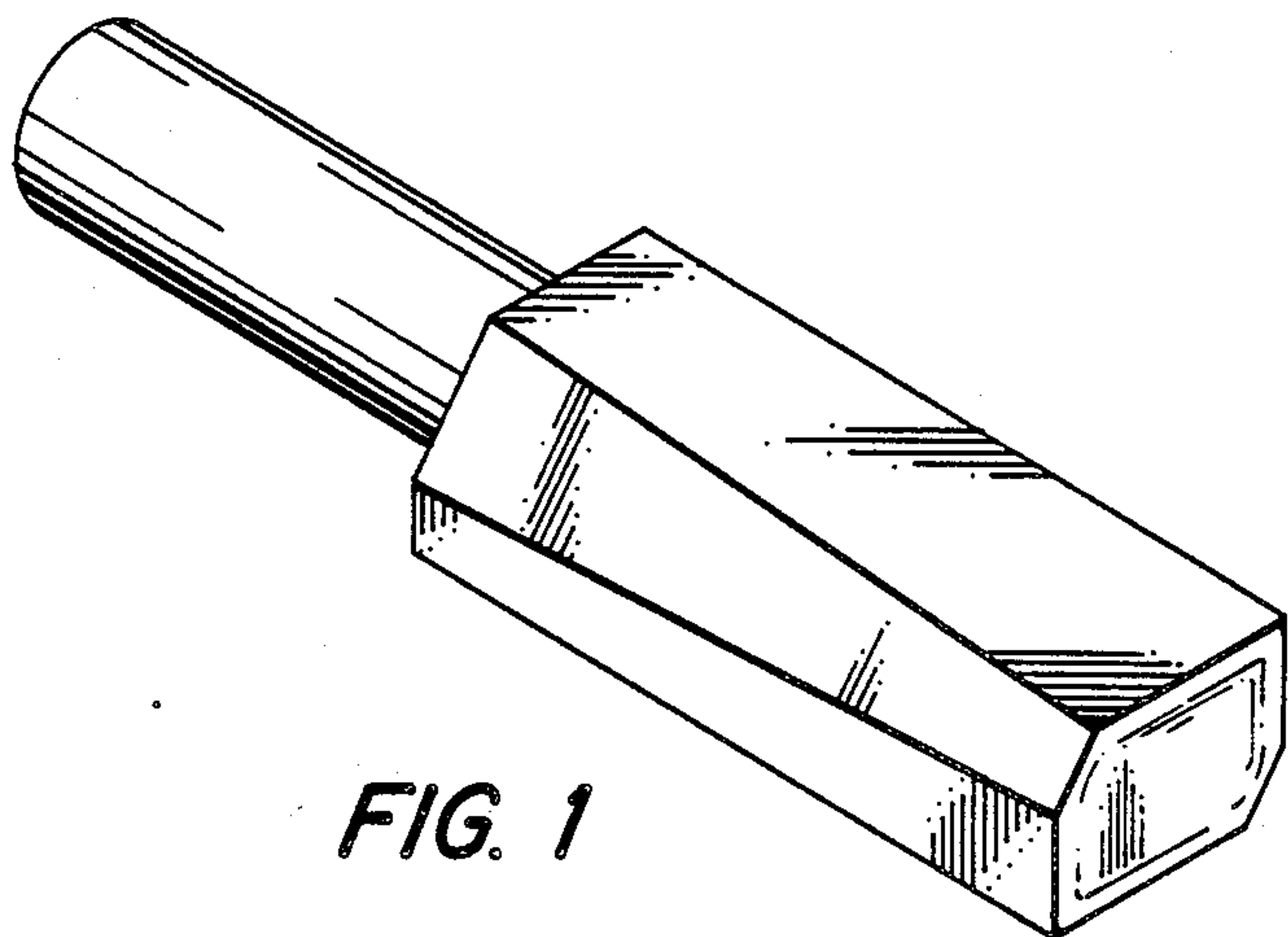


FIG. 2



FIG. 3

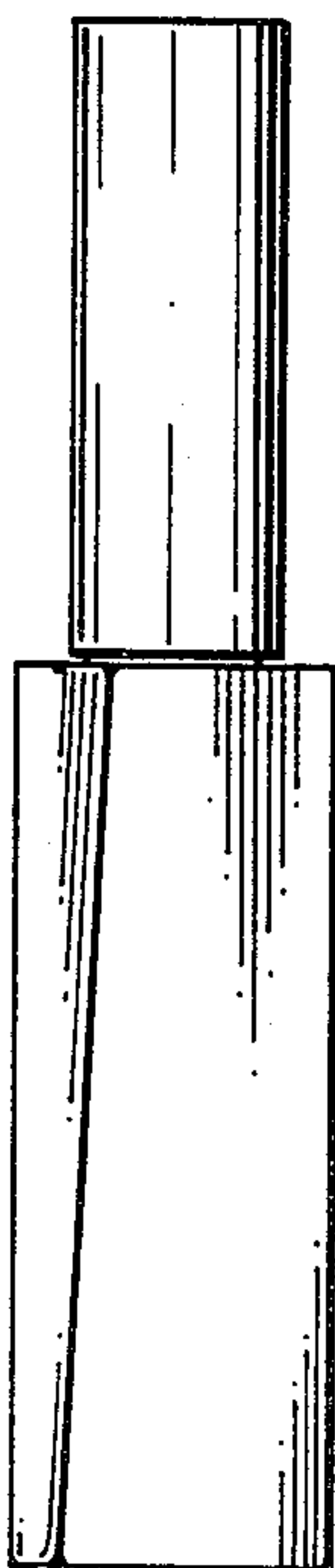


FIG. 4

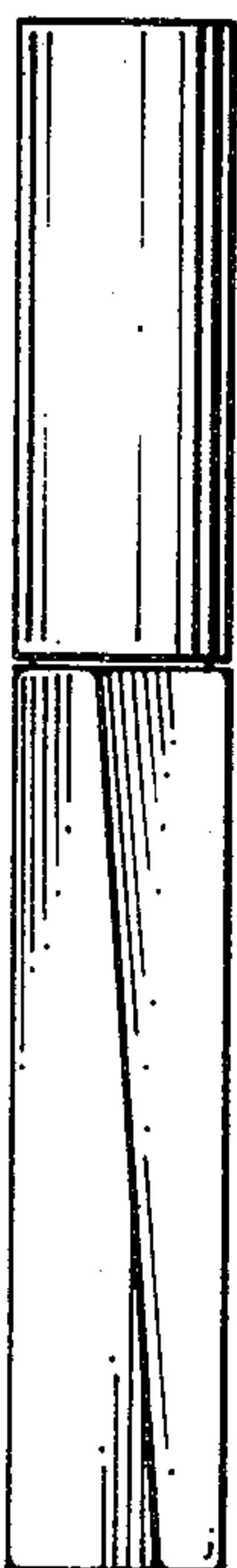


FIG. 5

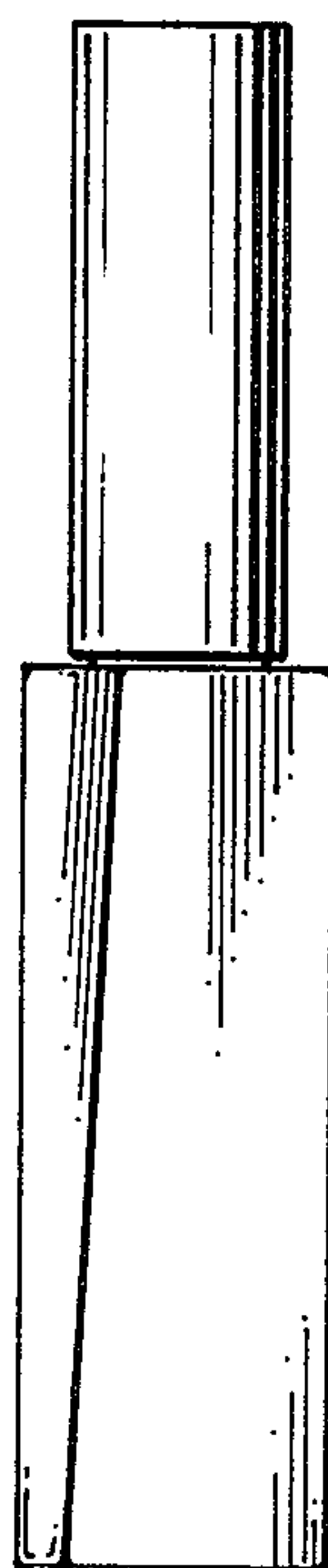


FIG. 6



FIG. 7