

[54] CURLING IRON RETAINER

[76] Inventor: Jeffery E. Emmons, 12220 Field Farm Ct., Granger, Ind. 46530

[**] Term: 14 Years

[21] Appl. No.: 720,395

[22] Filed: Apr. 5, 1985

[52] U.S. Cl. D28/38; D18/30

[58] Field of Search D28/35, 38, 73, 9-19; 219/222, 225, 226, 242; 132/1 R, 7, 9, 31 R, 32 R, 37 R, 37 A, 73; D18/30

[56] References Cited

U.S. PATENT DOCUMENTS

1,982,589 11/1934 Bergstrom 132/73

FOREIGN PATENT DOCUMENTS

2400305 4/1979 France 219/242

OTHER PUBLICATIONS

HFD-Retailing Home Furnishings, section one, 5/12/80, p. 33-Conair Hot Brush at top right.

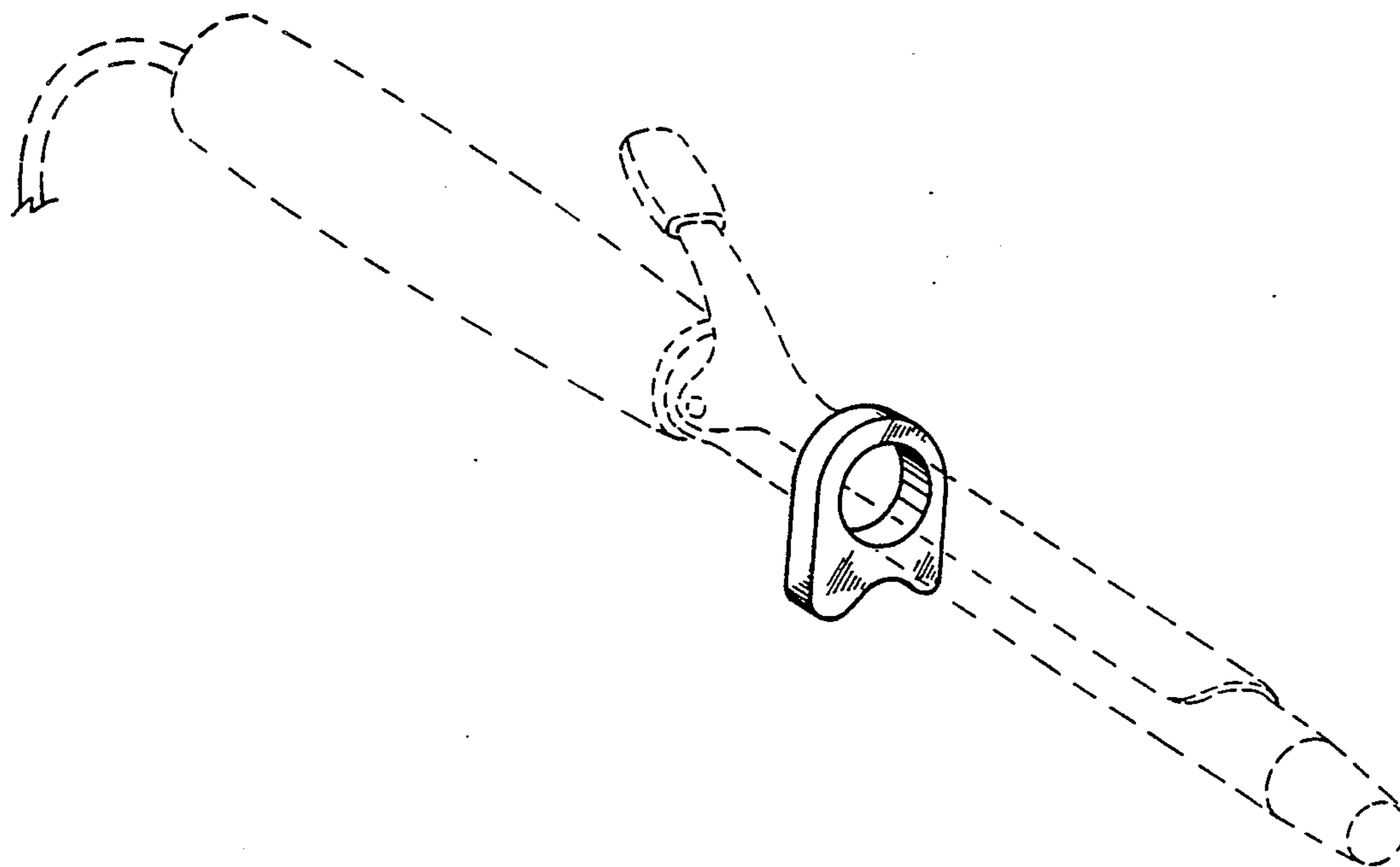
Primary Examiner—Louis S. Zarfes
Attorney, Agent, or Firm—James D. Hall

[57] CLAIM

The ornamental design for a curling iron retainer, as shown and described.

DESCRIPTION

FIG. 1 is a perspective view of a curling iron retainer showing my new design;
FIG. 2 is a front elevational view of the retainer, the rear elevation view being a mirror image thereof;
FIG. 3 is a side elevational view of the retainer, the opposite side elevational view being a mirror image thereof;
FIG. 4 is a top plan view of the retainer; and
FIG. 5 is a bottom view of the retainer.
The broken line showing of a curling iron in FIG. 1 is for illustrative purposes only and forms no part of the claimed design.



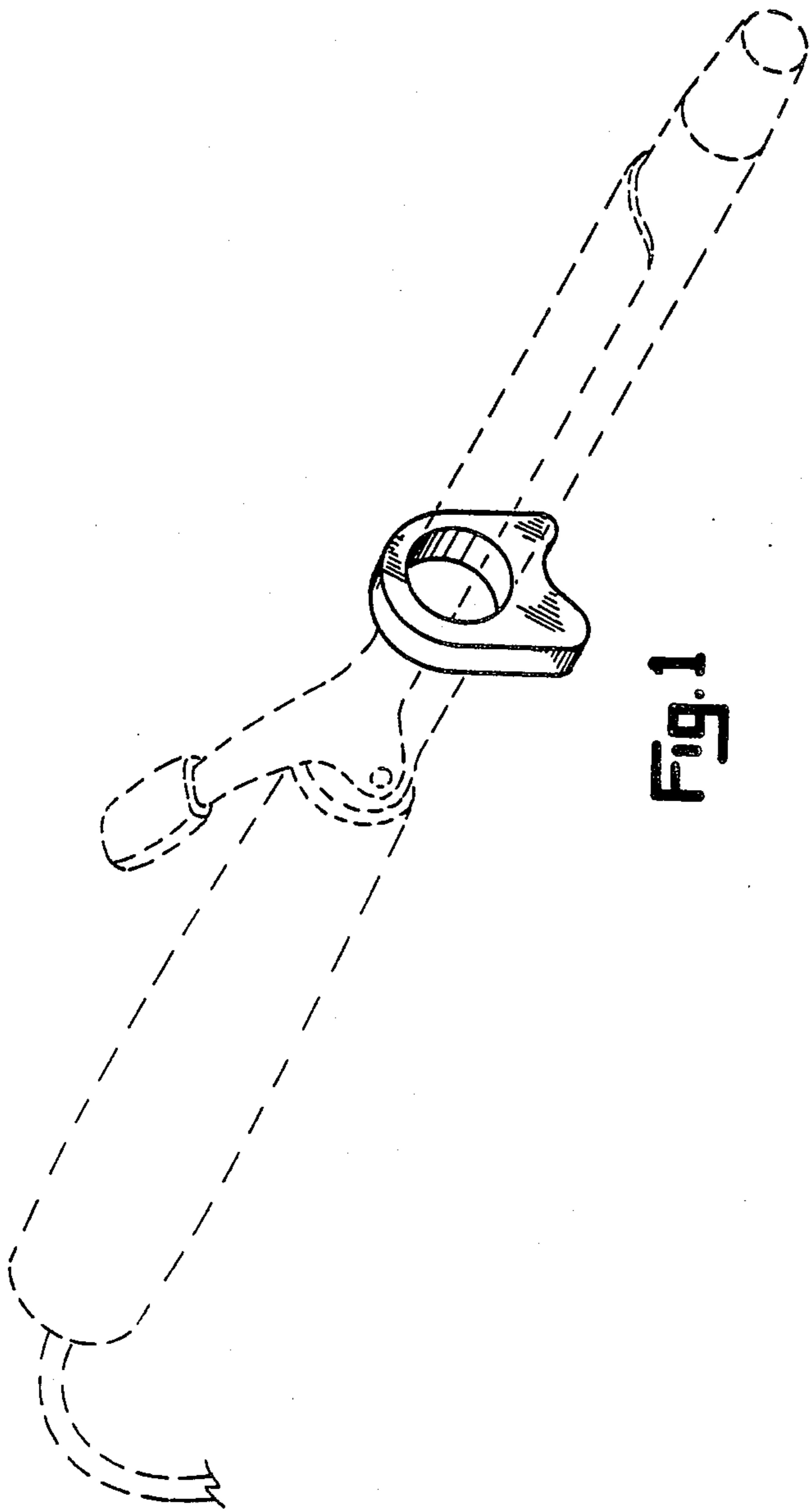


Fig. 1

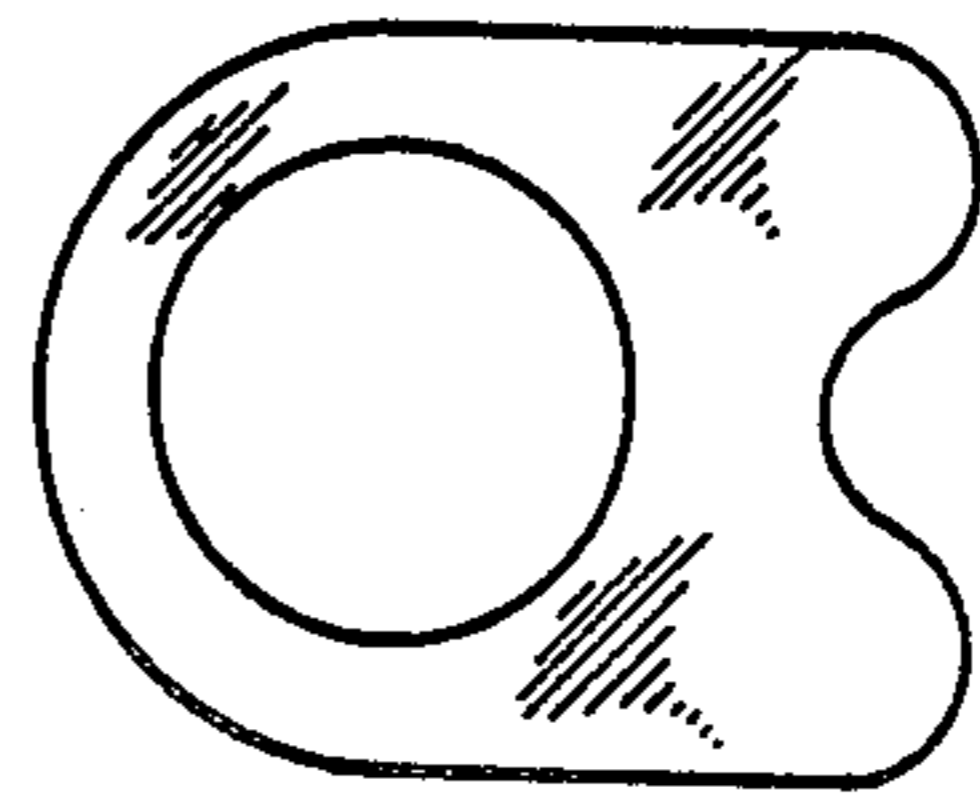


Fig. 2

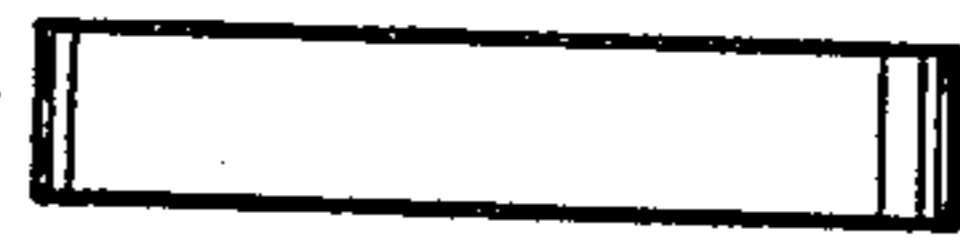


Fig. 3



Fig. 4



Fig. 5