

# United States Patent [19]

Lothe

[11] Patent Number: Des. 293,485

[45] Date of Patent: \*\* Dec. 29, 1987

[54] ASH TRAY

[75] Inventor: Arlan D. Lothe, Sun Prairie, Wis.

[73] Assignee: Don Evans, Inc., DeForest, Wis.

[\*\*] Term: 14 Years

[21] Appl. No.: 766,718

[22] Filed: Aug. 19, 1985

[52] U.S. Cl. .... D27/29

[58] Field of Search ..... D27/8-29;  
131/231, 240.1

[56] References Cited

## U.S. PATENT DOCUMENTS

D. 116,843 9/1939 Fuerst ..... 131/231

D. 268,211 3/1983 Polhemus ..... D27/29

## FOREIGN PATENT DOCUMENTS

448089 4/1948 Canada ..... 131/240.1

*Primary Examiner*—Catherine E. Kemper  
*Attorney, Agent, or Firm*—Isaksen, Lathrop, Esch, Hart & Clark

[57] CLAIM

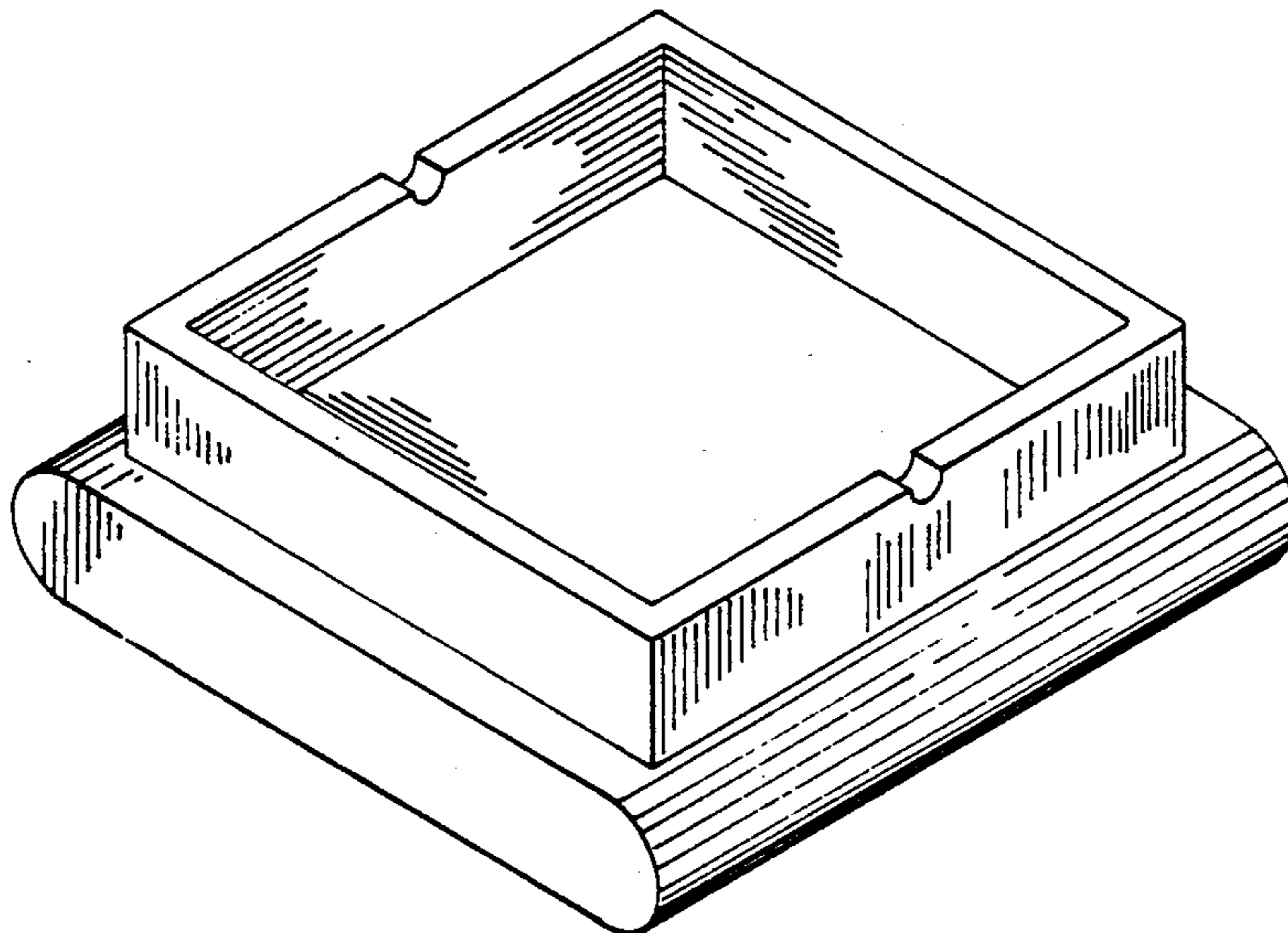
The ornamental design for an ash tray, as shown and described.

## DESCRIPTION

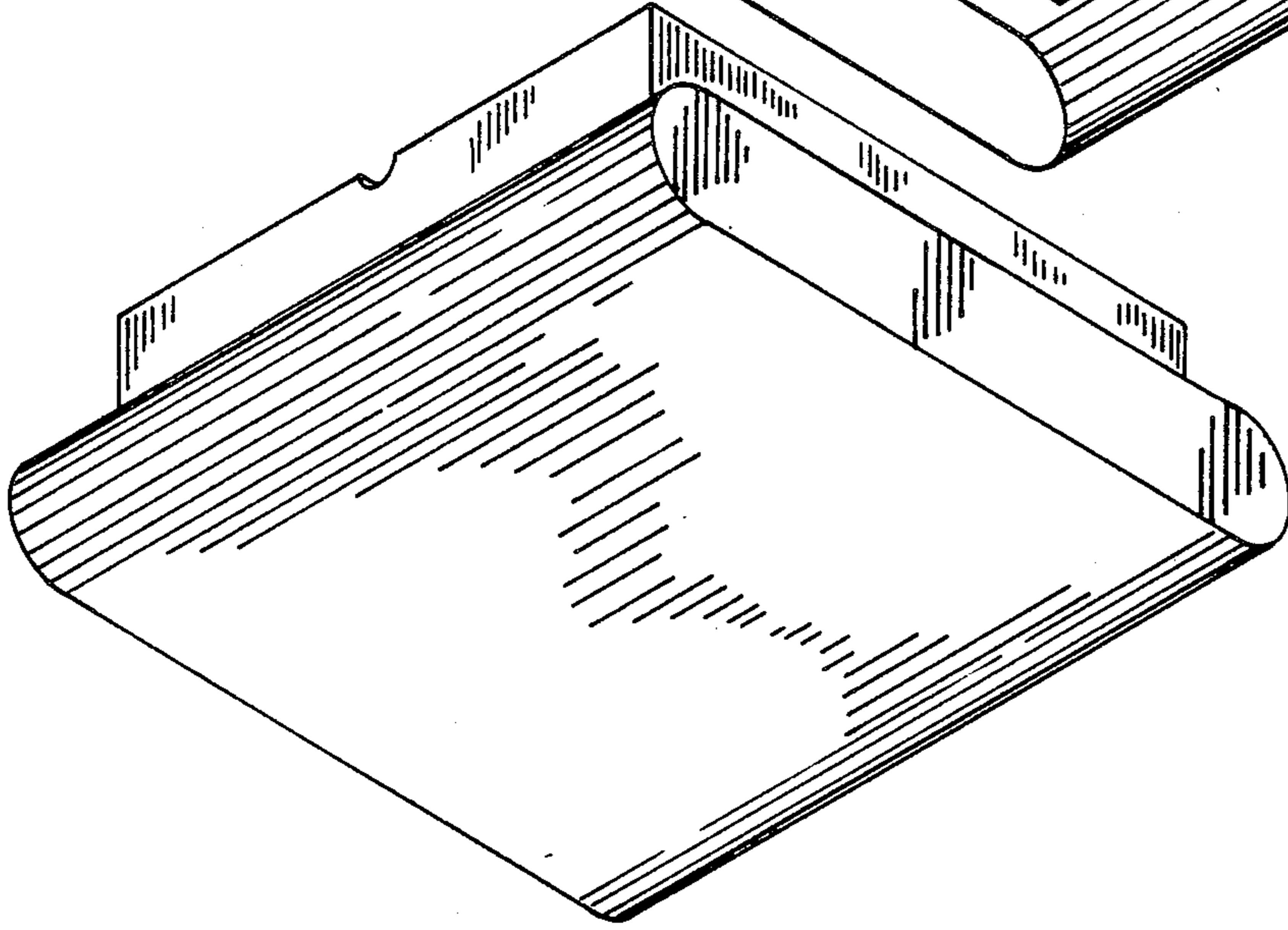
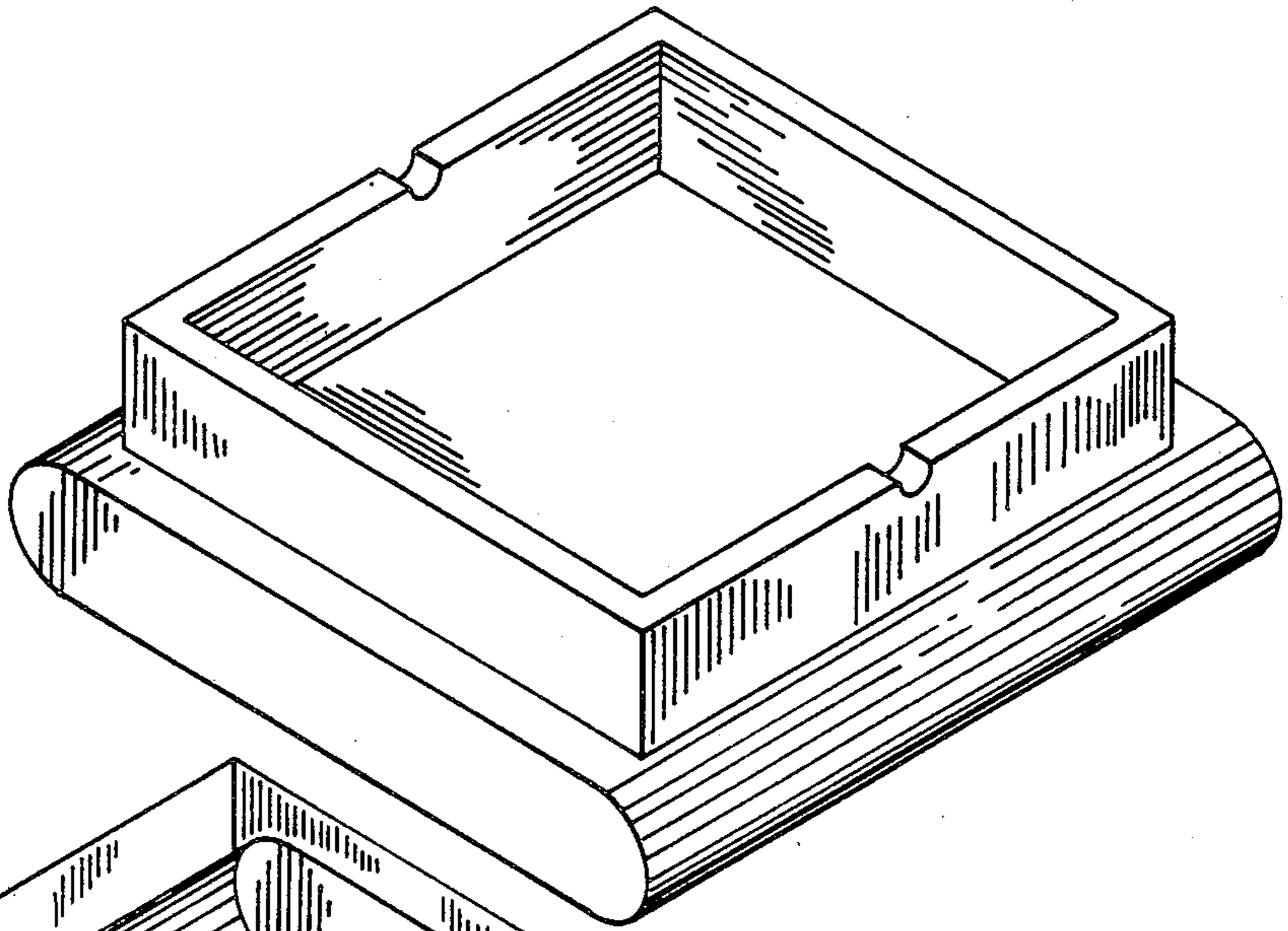
FIG. 1 is a top perspective view of an ash tray, showing my new design;

FIG. 2 is a bottom perspective view thereof;

FIG. 3 is a top plan view thereof.



*Fig 1*



*Fig 2*

*Fig 3*

