

[54] COMBINED REAR COMBINATION LAMP AND BEZEL FOR SIDE MARKER LAMP FOR A VEHICLE

[75] Inventor: Katsuyuki Oki, Toyota, Japan

[73] Assignee: Toyota Jidosha Kabushiki Kaisha, Toyota, Japan

[**] Term: 14 Years

[21] Appl. No.: 760,969

[22] Filed: Jul. 31, 1985

[52] U.S. Cl. D26/35

[58] Field of Search D26/28-36, D26/120, 122, 123, 124; 362/61, 80-83, 326-340

[56] References Cited

U.S. PATENT DOCUMENTS

- D. 271,142 10/1983 Hirasawa D26/120
- D. 271,143 10/1983 Hirakawa D26/120
- D. 285,122 8/1986 Fujita D26/35
- D. 285,258 8/1986 Hamasaki D26/28

FOREIGN PATENT DOCUMENTS

623537 1/1984 Japan .

Primary Examiner—Susan J. Lucas

Attorney, Agent, or Firm—Cushman, Darby & Cushman

[57] CLAIM

The ornamental design for a combined rear combination lamp and bezel for side marker lamp for a vehicle, as shown.

DESCRIPTION

FIG. 1 is a perspective view of a combined rear combination lamp and bezel for a side marker lamp for a vehicle showing my new design;
 FIG. 2 is a front elevational view thereof;
 FIG. 3 is a rear elevational view thereof;
 FIG. 4 is a top plan view thereof;
 FIG. 5 is a bottom plan view thereof;
 FIG. 6 is a left side elevational view thereof;
 FIG. 7 is a right side elevational view thereof;
 FIG. 8 is a cross-sectional view taken along line VIII-VIII of FIG. 2.

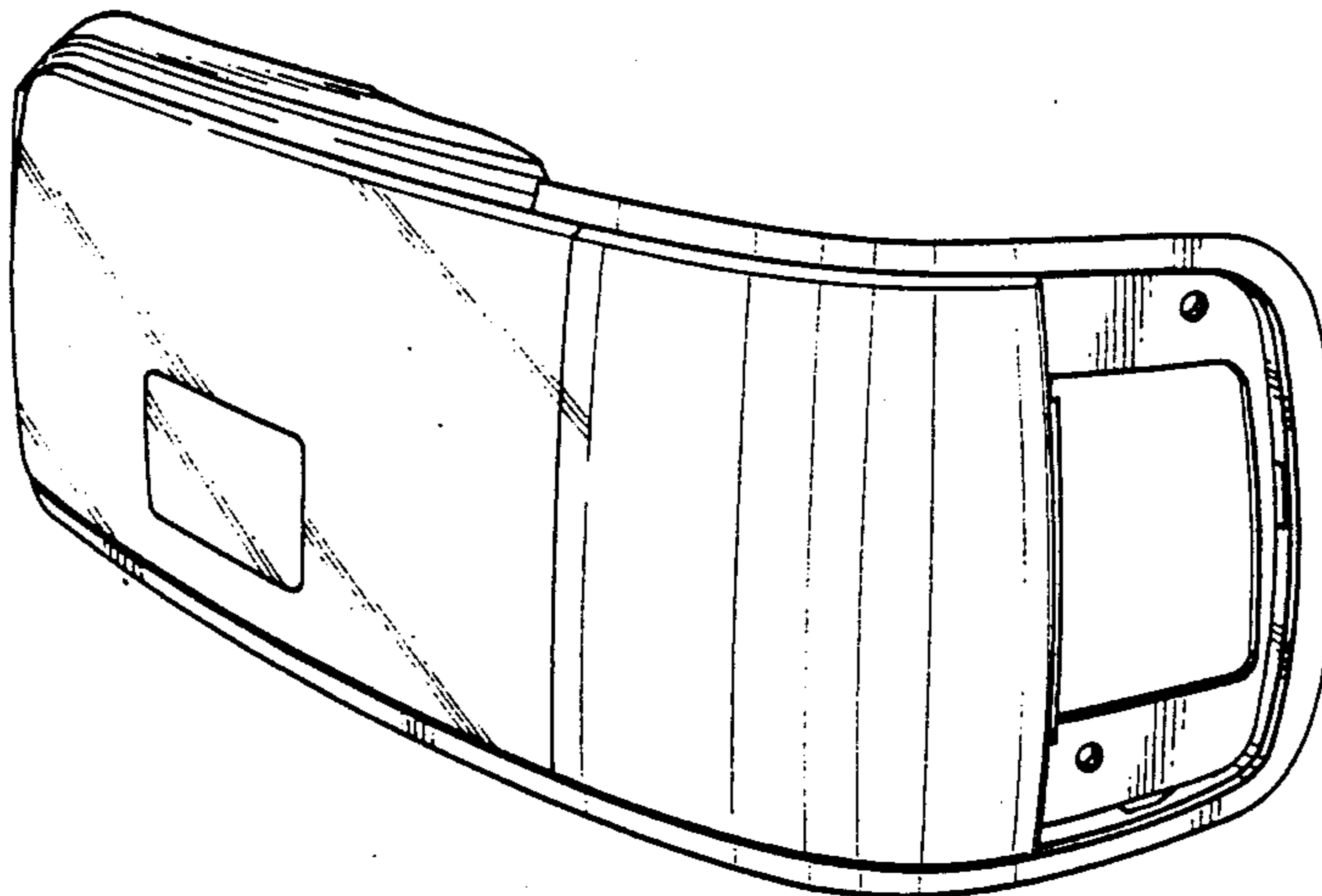


Fig. 1

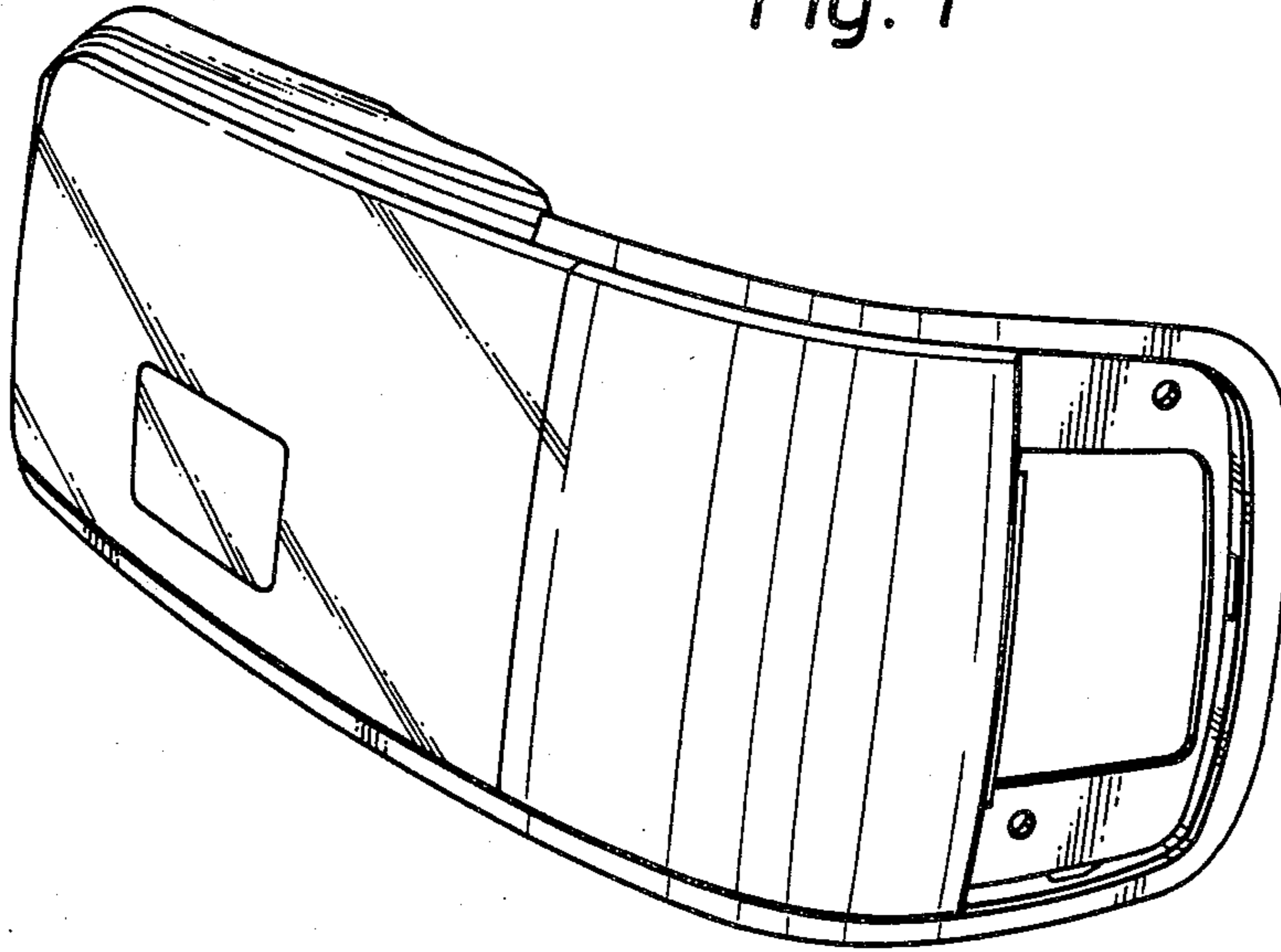


Fig. 2

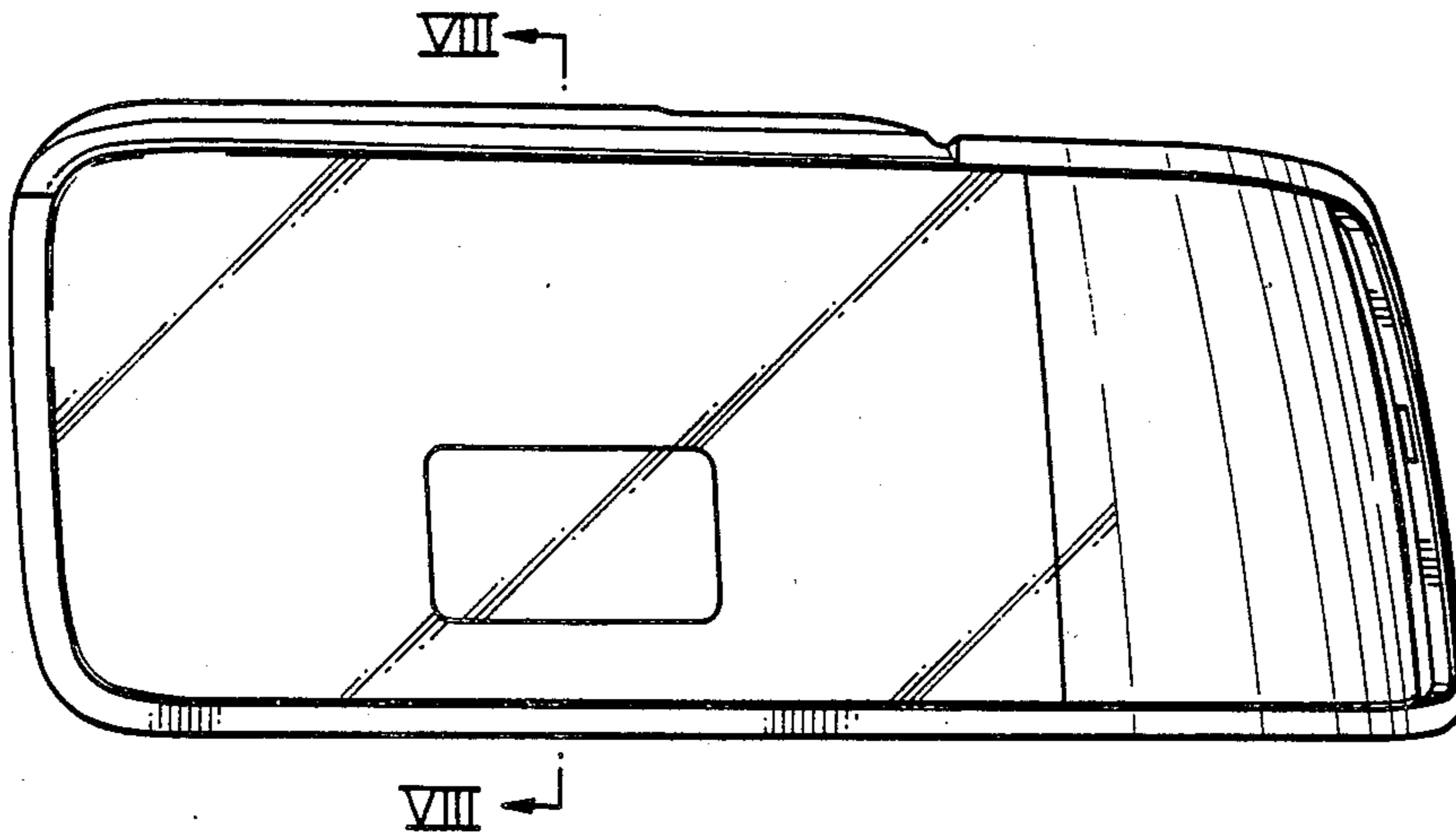


Fig.3

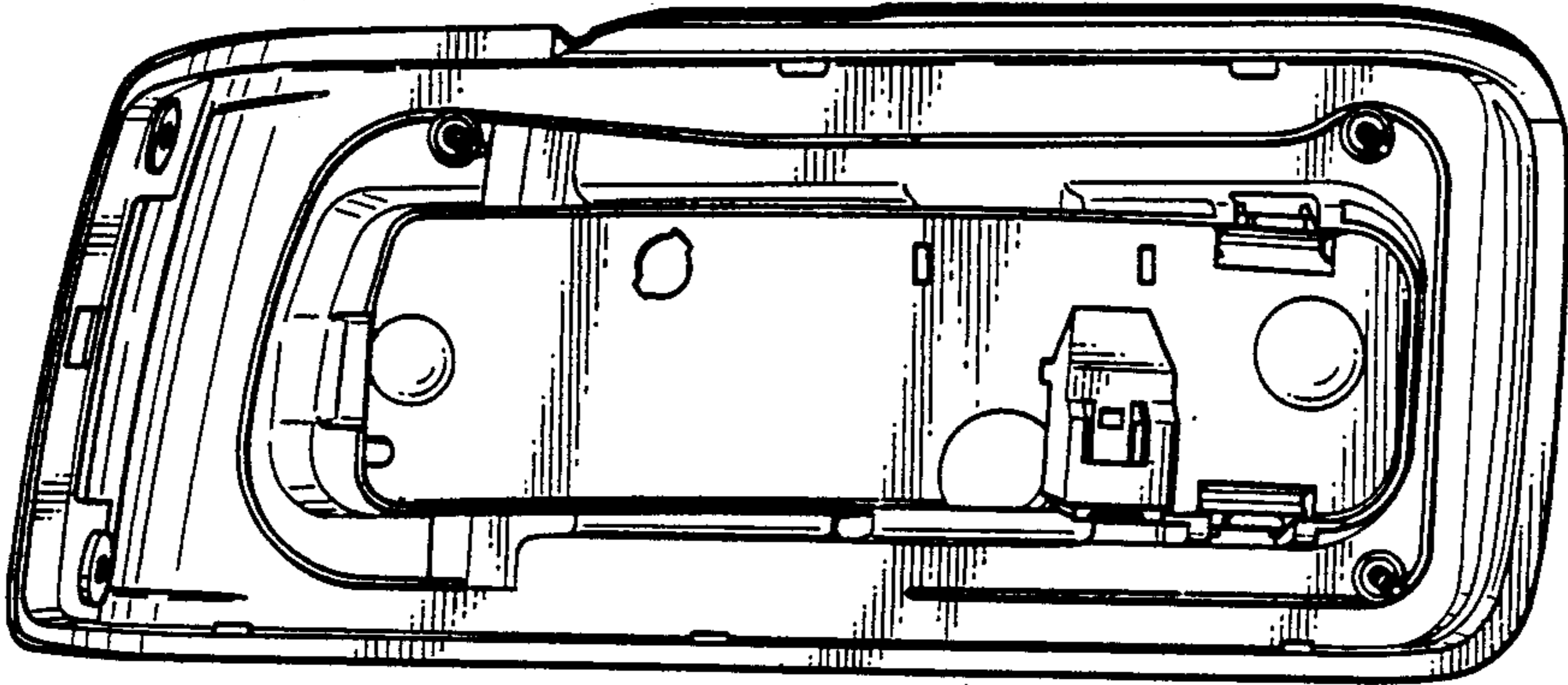


Fig.4

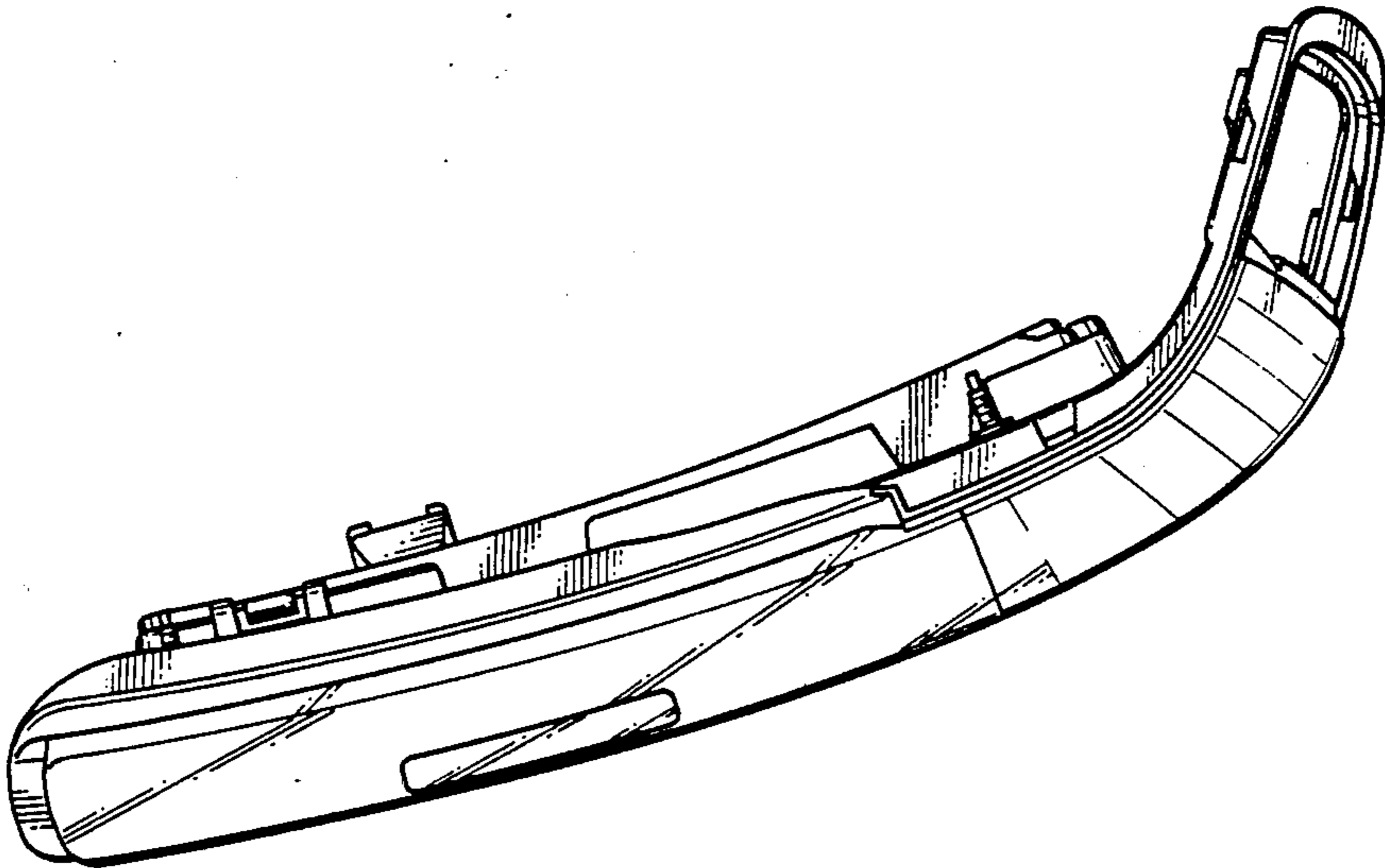


Fig. 5

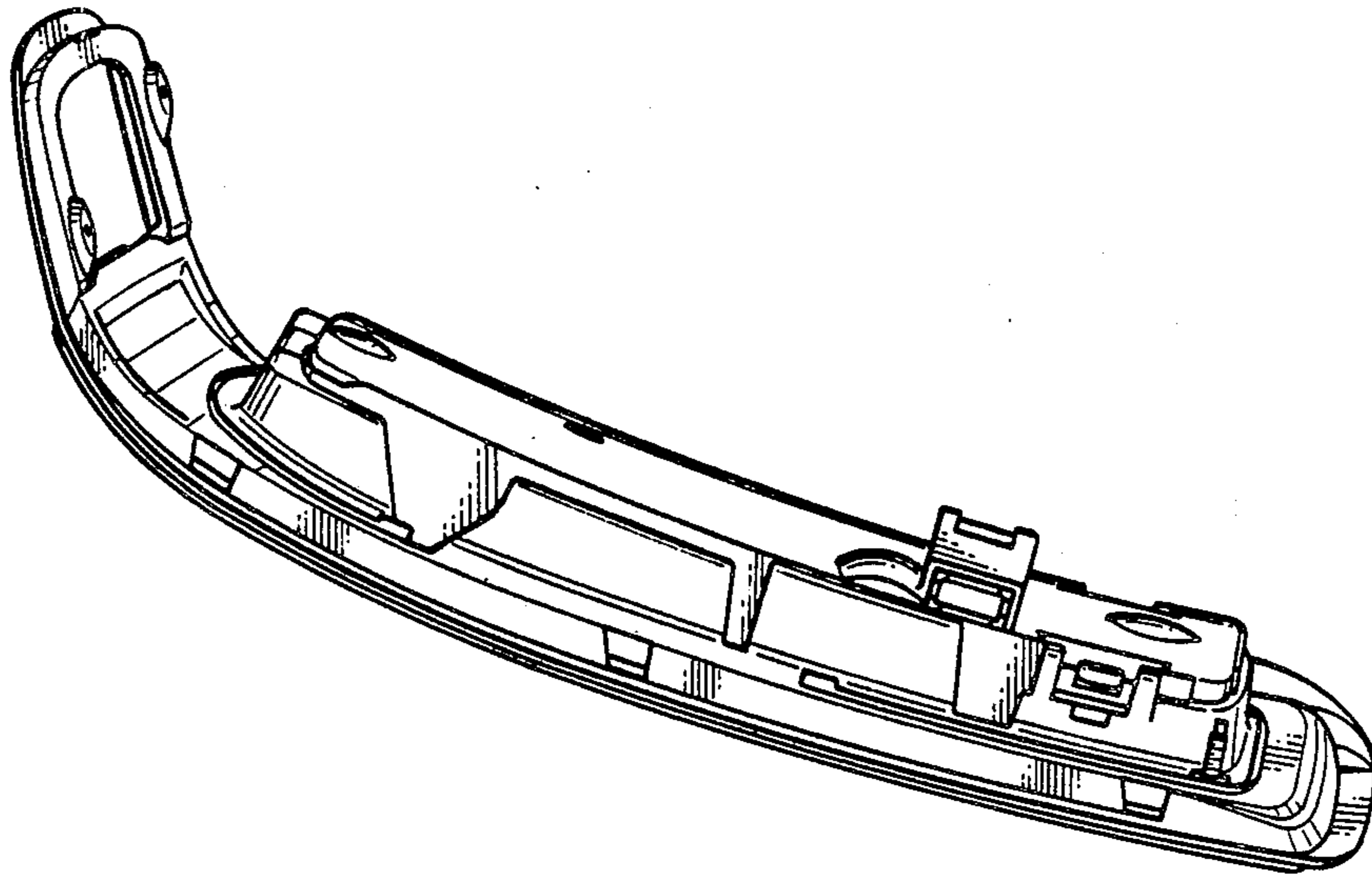


Fig. 6

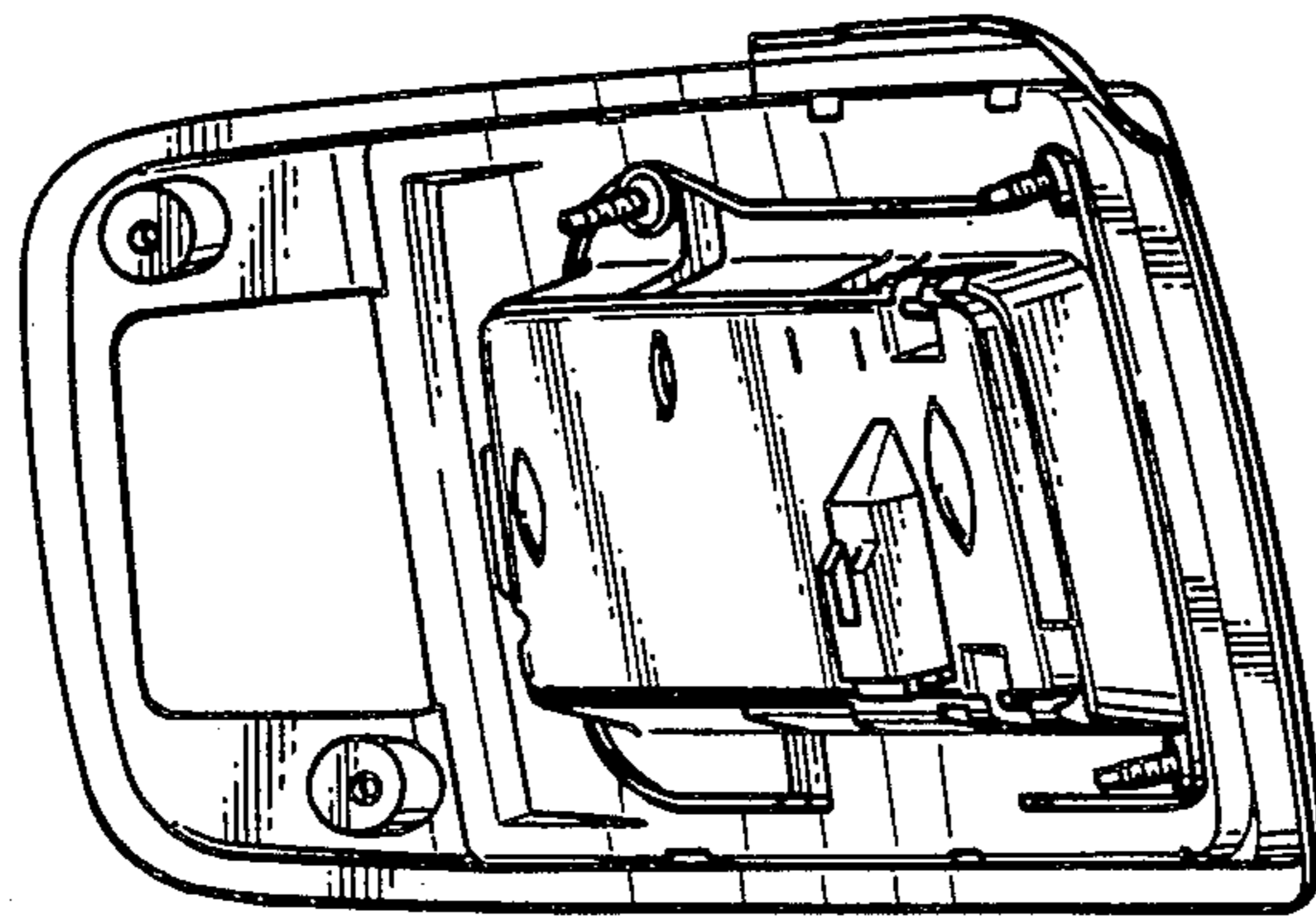


Fig.7

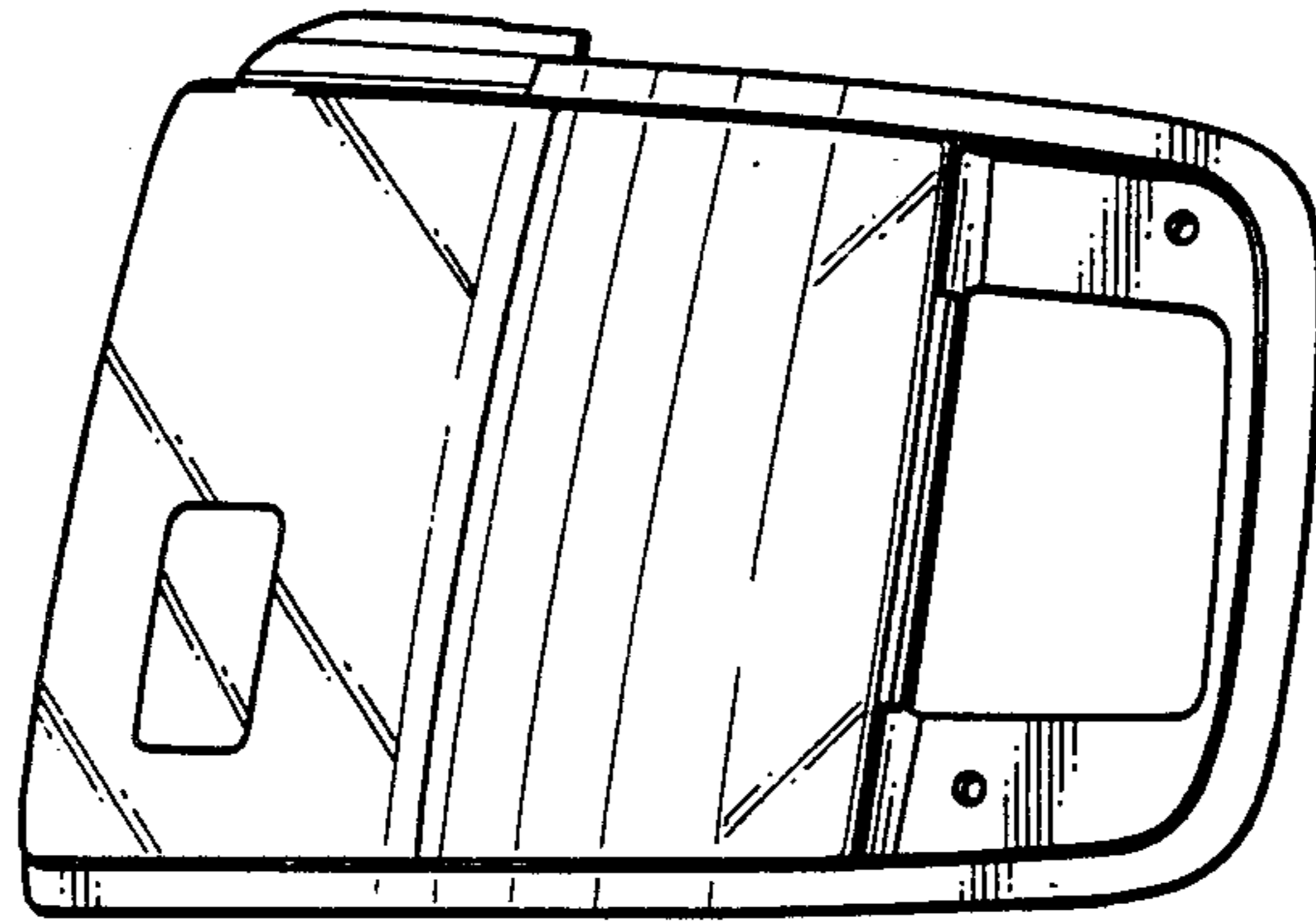


Fig.8

