

[54] LAMP FOR EMITTING DECORATIVE LIGHTING EFFECTS

[76] Inventor: Clint G. Palone, 3001 Jaudon, Kansas City, Mo. 64117

[**] Term: 14 Years

[21] Appl. No.: 725,779

[22] Filed: Apr. 22, 1985

[52] U.S. CL. D26/24; D26/63

[58] Field of Search D26/60 α 66,
D26/24; 362/410, 411, 413, 414, 427, 418, 269,
275, 806

[56] References Cited

U.S. PATENT DOCUMENTS

D. 231,559 4/1974 Darling et al. D26/63
D. 278,215 4/1985 Patterson D26/63 X

OTHER PUBLICATIONS

Emergi-Lite Decorative Cylinders ad. 1982, Decorative Emergency Light.
Lamp Journal, 7-1962, p. 80, Halo Lighting Bullet Projector.
Thunder & Light Light Catalog, 1982, p. 10, Bullet Light (table top).

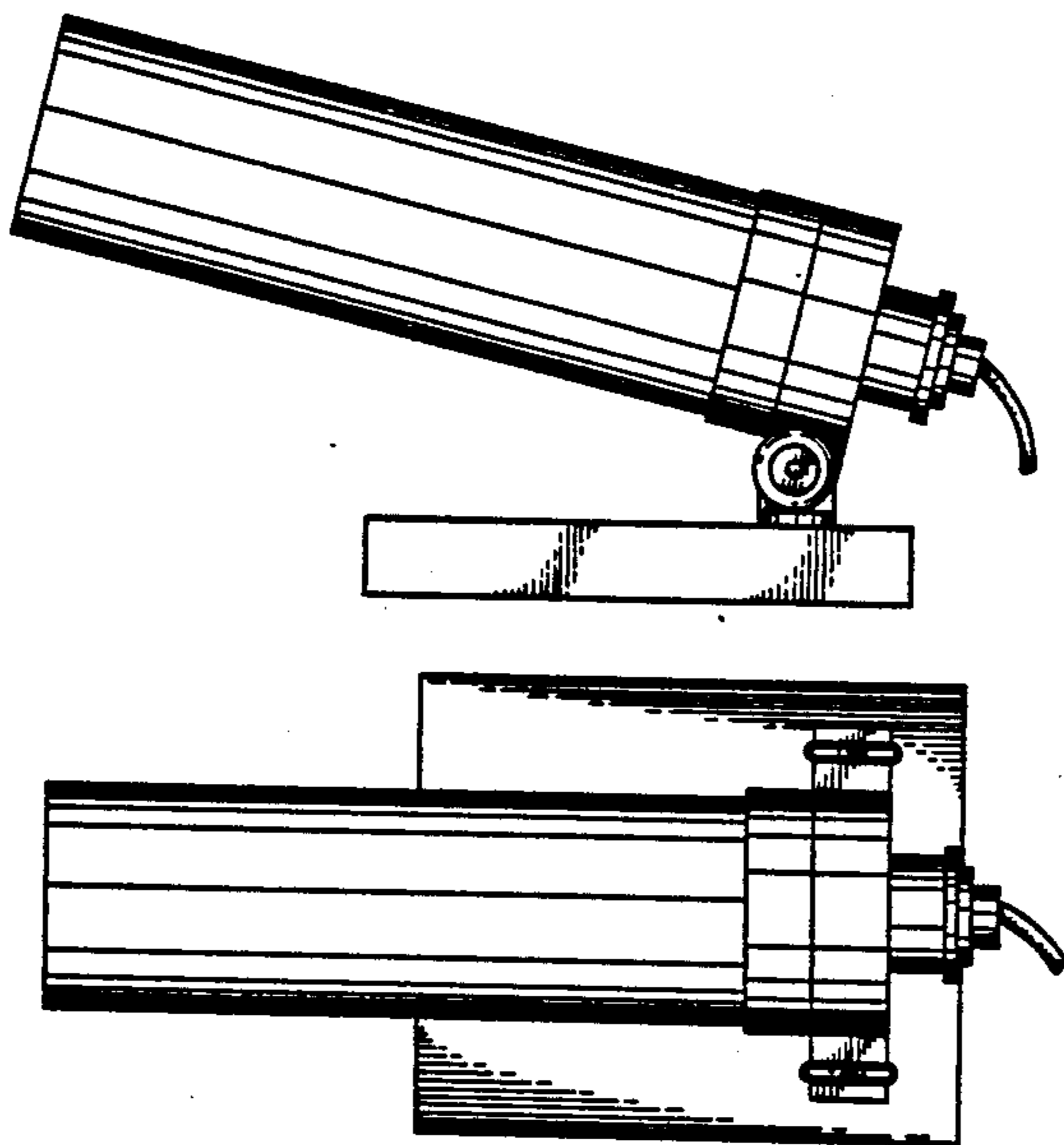
Primary Examiner—Susan J. Lucas
Attorney, Agent, or Firm—Don E. Ferrell

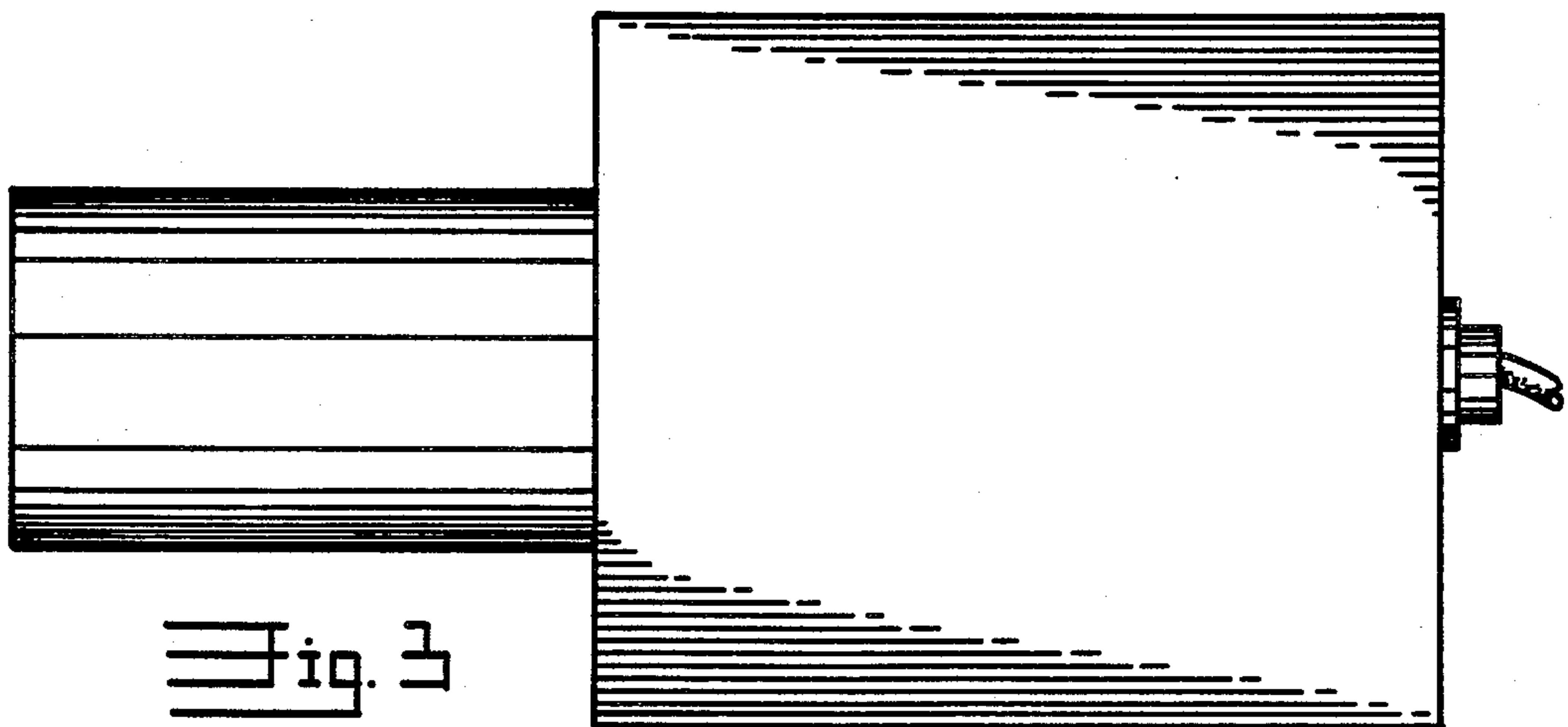
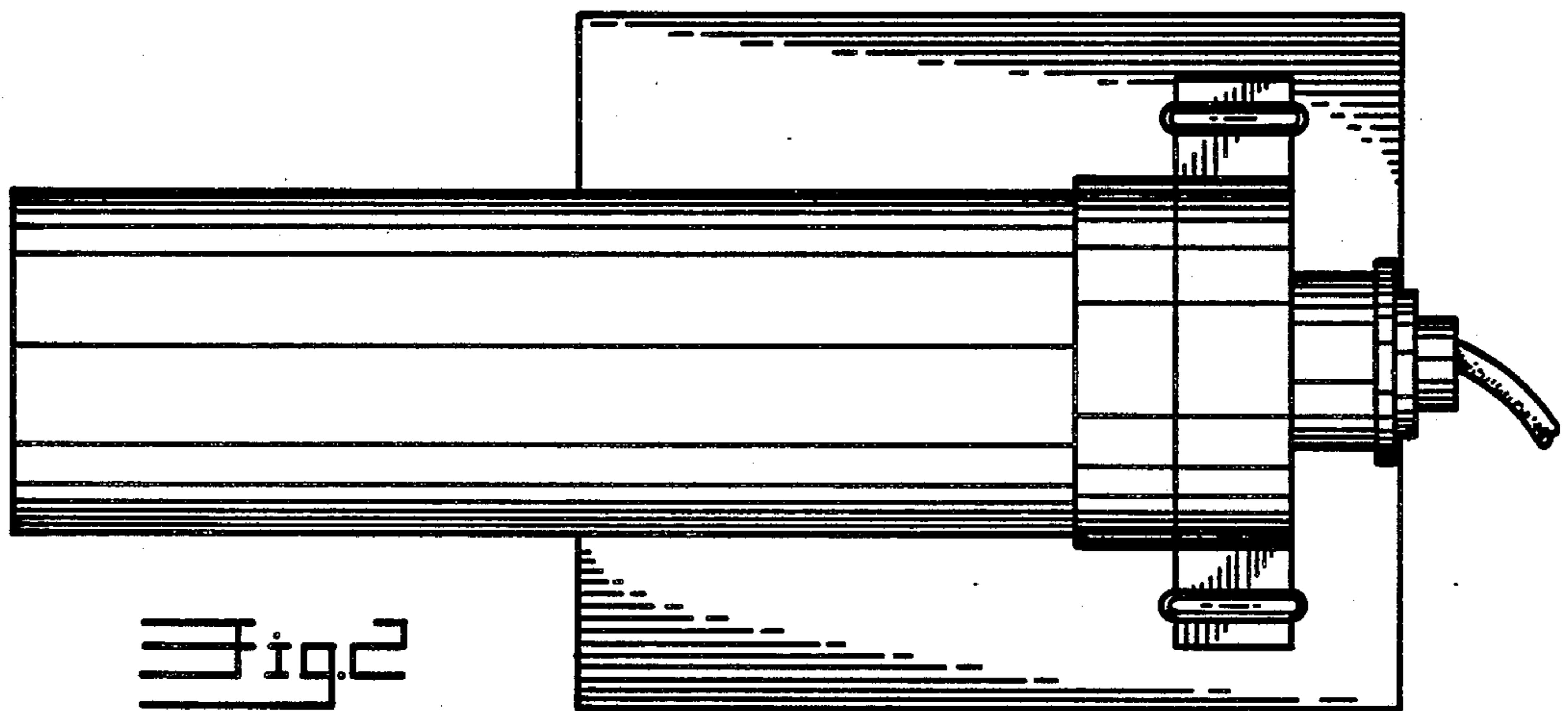
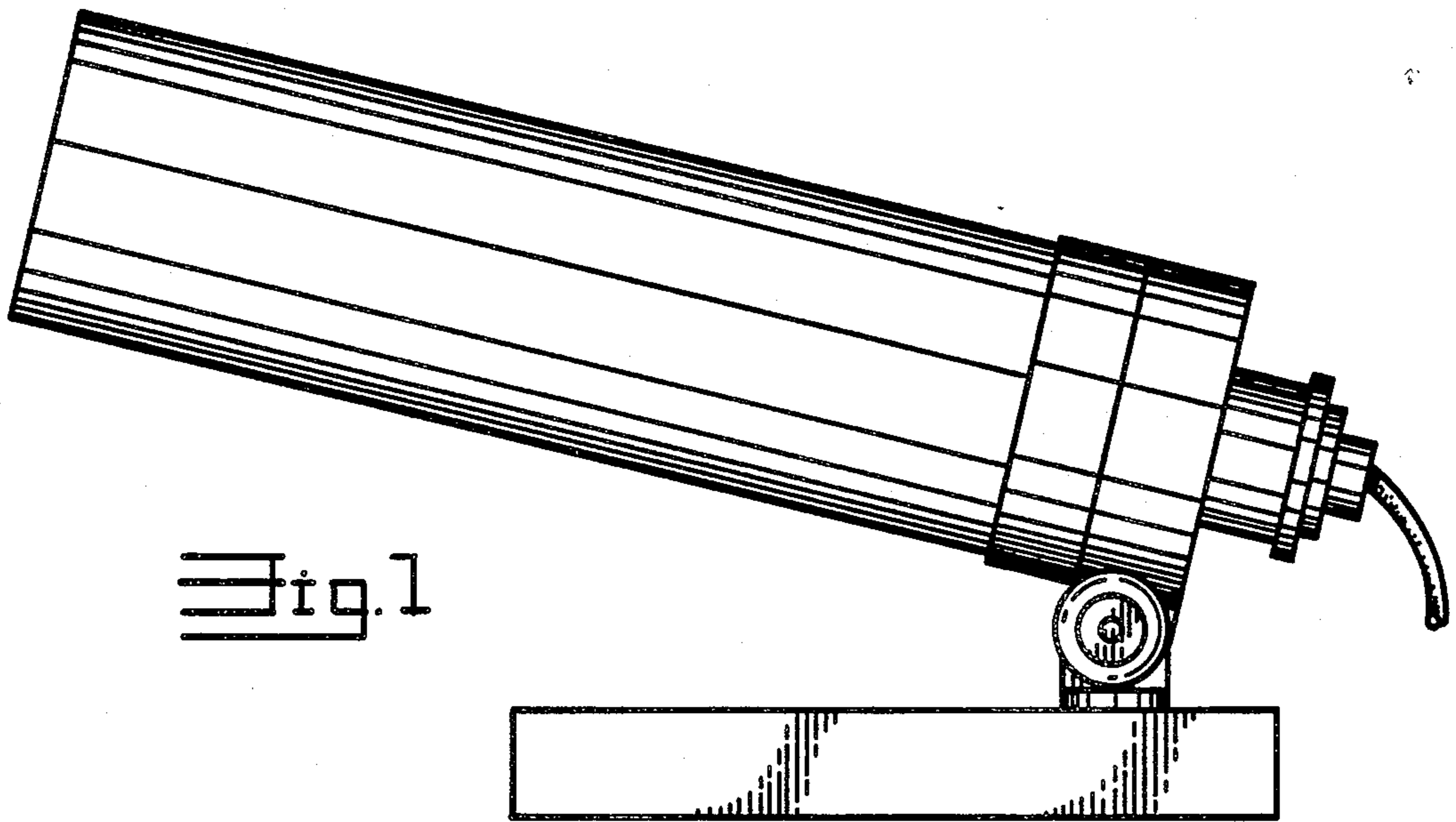
[57] CLAIM

The ornamental design for a lamp for emitting decorative lighting effects, as shown and described.

DESCRIPTION

FIG. 1 is a side elevational view of a lamp for emitting decorative lighting effects showing my new design, the opposite side being a mirror image.
FIG. 2 is a top plan view thereof;
FIG. 3 is a bottom plan view thereof;
FIG. 4 is a front elevational view thereof;
FIG. 5 is a rear elevational view thereof.





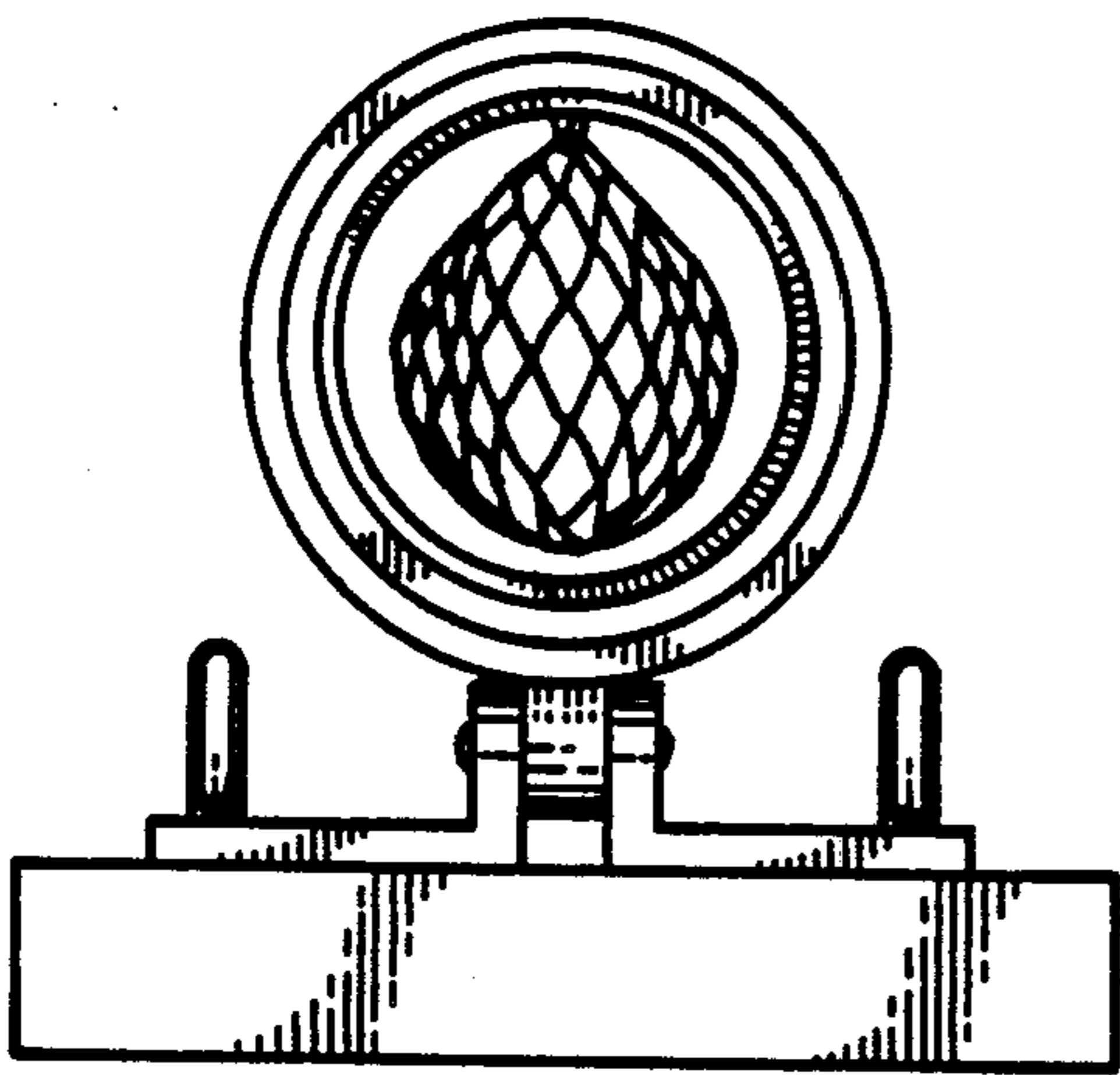


Fig. 4

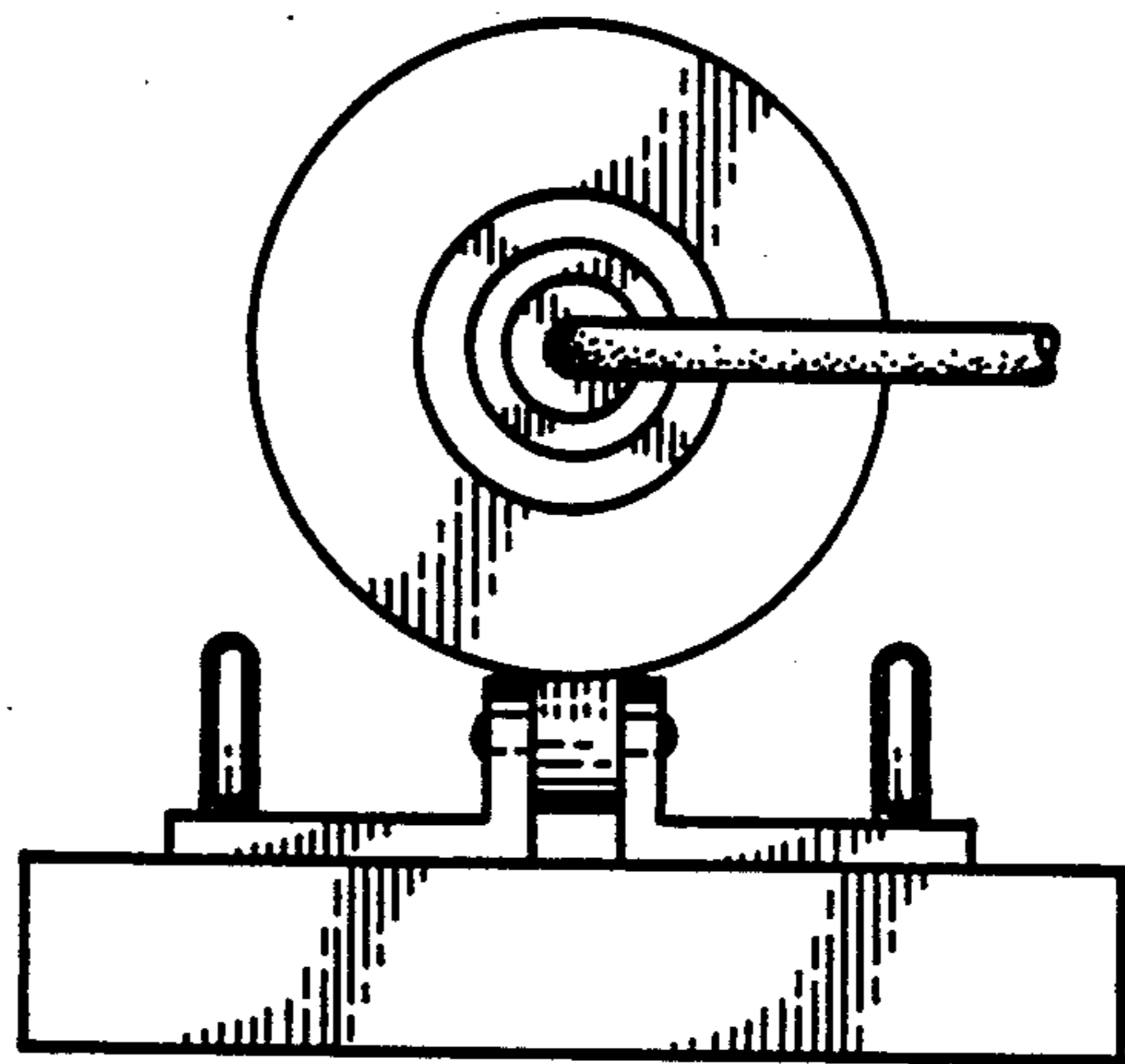


Fig. 5