

[54] **FIRE ESCAPE POLE**

[76] **Inventor: Anthony E. Morales, 5261  
Hollywood Blvd., Hollywood, Calif.  
90027**

[\*\*] **Term: 14 Years**

[21] **Appl. No.: 713,421**

[22] **Filed: Mar. 19, 1985**

[52] **U.S. Cl. .... D25/64; D25/100**

[58] **Field of Search .... D25/56, 62, 63, 64,  
D25/65, 66, 67, 68, 71; 182/189, 164, 163, 116,  
187**

[56] **References Cited**

**U.S. PATENT DOCUMENTS**

D. 180,122 4/1957 Tunstead ..... D25/64  
D. 187,597 4/1960 Lightfoot et al. .... D25/63 X  
D. 208,630 9/1967 Coblentz ..... D25/64 X  
D. 245,925 9/1977 Debes, III ..... D25/56 X  
3,315,762 4/1967 Torrey ..... 182/164  
4,257,490 3/1981 Bandy ..... 182/187 X

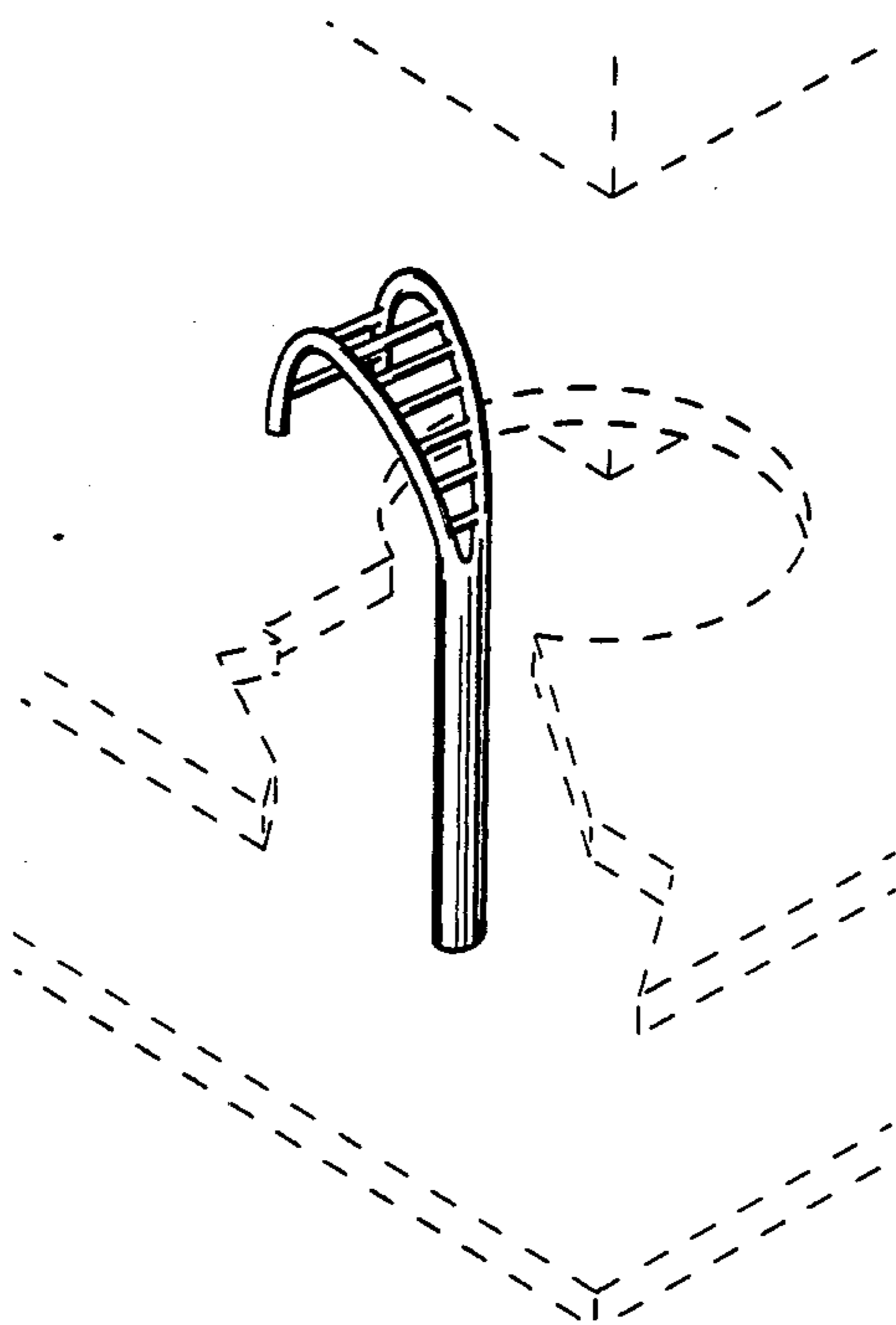
*Primary Examiner—A. Hugo Word*

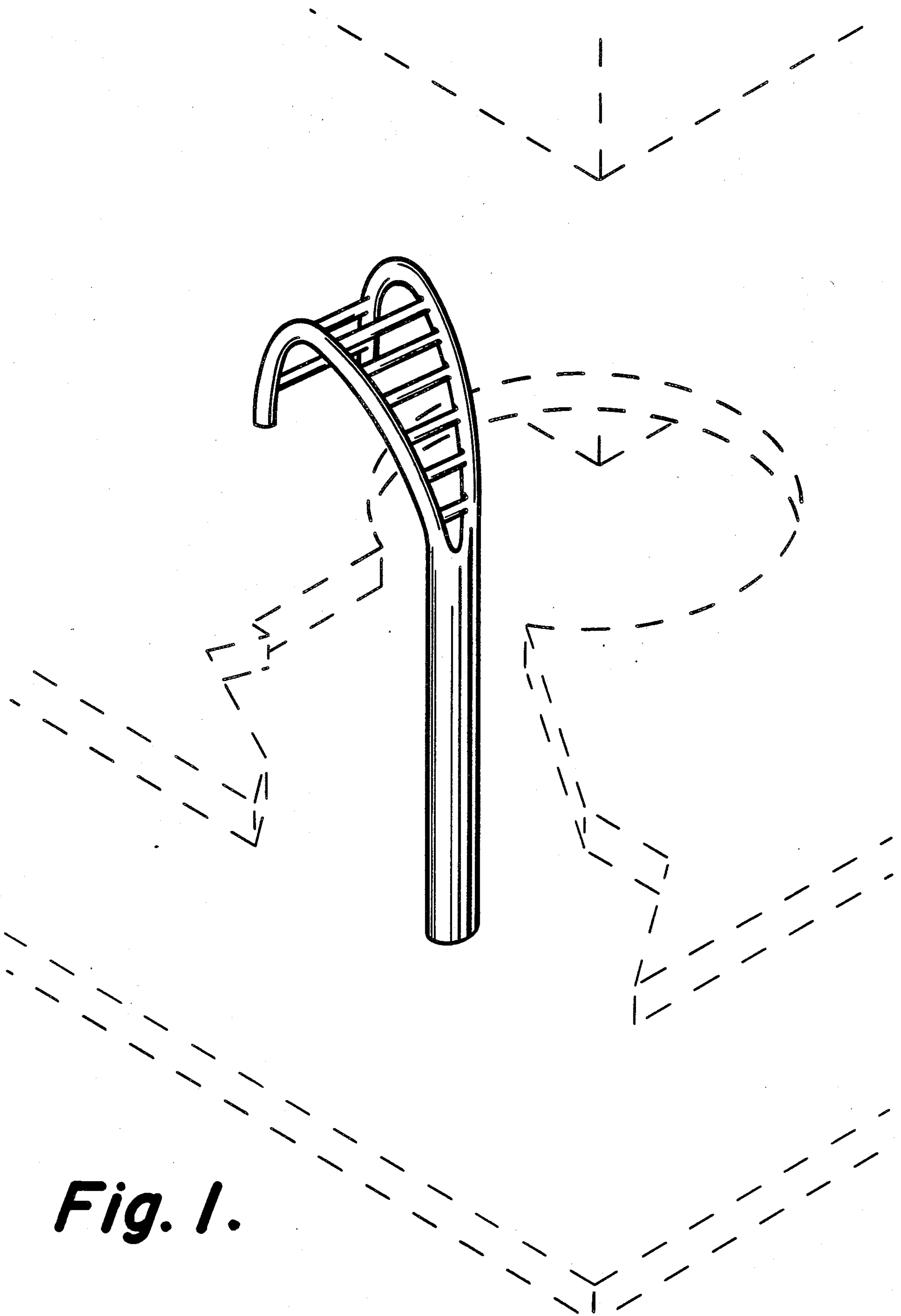
[57] **CLAIM**

The ornamental design for a fire escape pole, substantially as shown and described.

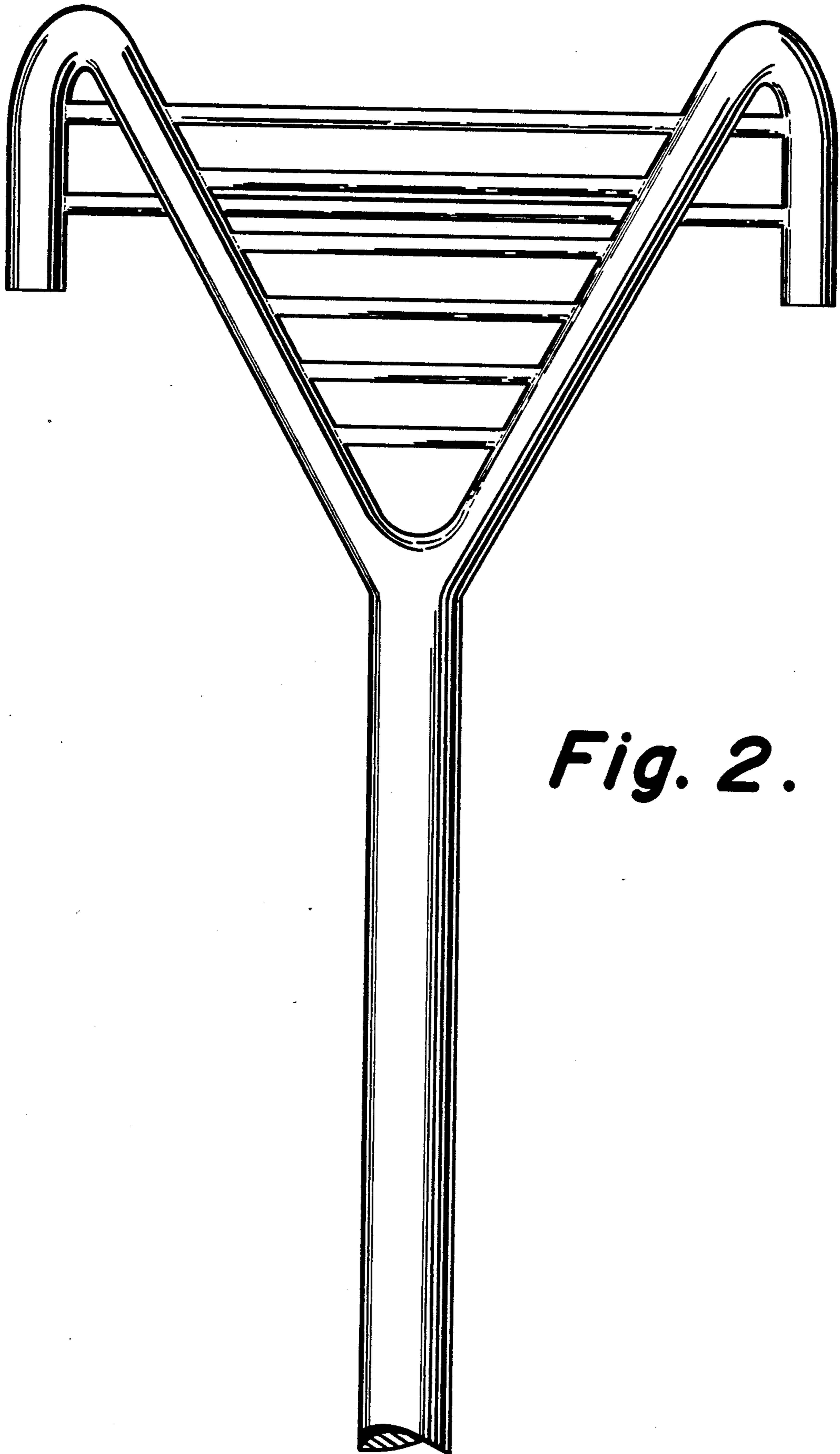
**DESCRIPTION**

FIG. 1 is a perspective view of a fire escape pole, showing my new design, the broken line showing of the building structure is for illustrative purposes only and forms no part of the claimed design; and, FIG. 2 is a fragmentary front elevational view thereof.





**Fig. 1.**



*Fig. 2.*