

[54] **POOL ACCESS APPARATUS FOR THE DISABLED**

[76] **Inventor: Lewis J. Daly, 5890 Pierson Rd., Fayetteville, N.Y. 13066**

[**] **Term: 14 Years**

[21] **Appl. No.: 737,948**

[22] **Filed: May 28, 1985**

[52] **U.S. Cl. D25/62**

[58] **Field of Search D25/62, 63, 64, 65, D25/66, 67; 4/496, 504, 506, 511, 513; 52/169 R; D21/245**

[56] **References Cited**

U.S. PATENT DOCUMENTS

- D. 161,791 1/1951 Schilling D21/245 X
- D. 234,503 3/1975 Ahrens D25/2
- 3,578,110 5/1971 Seagraves D25/63 X

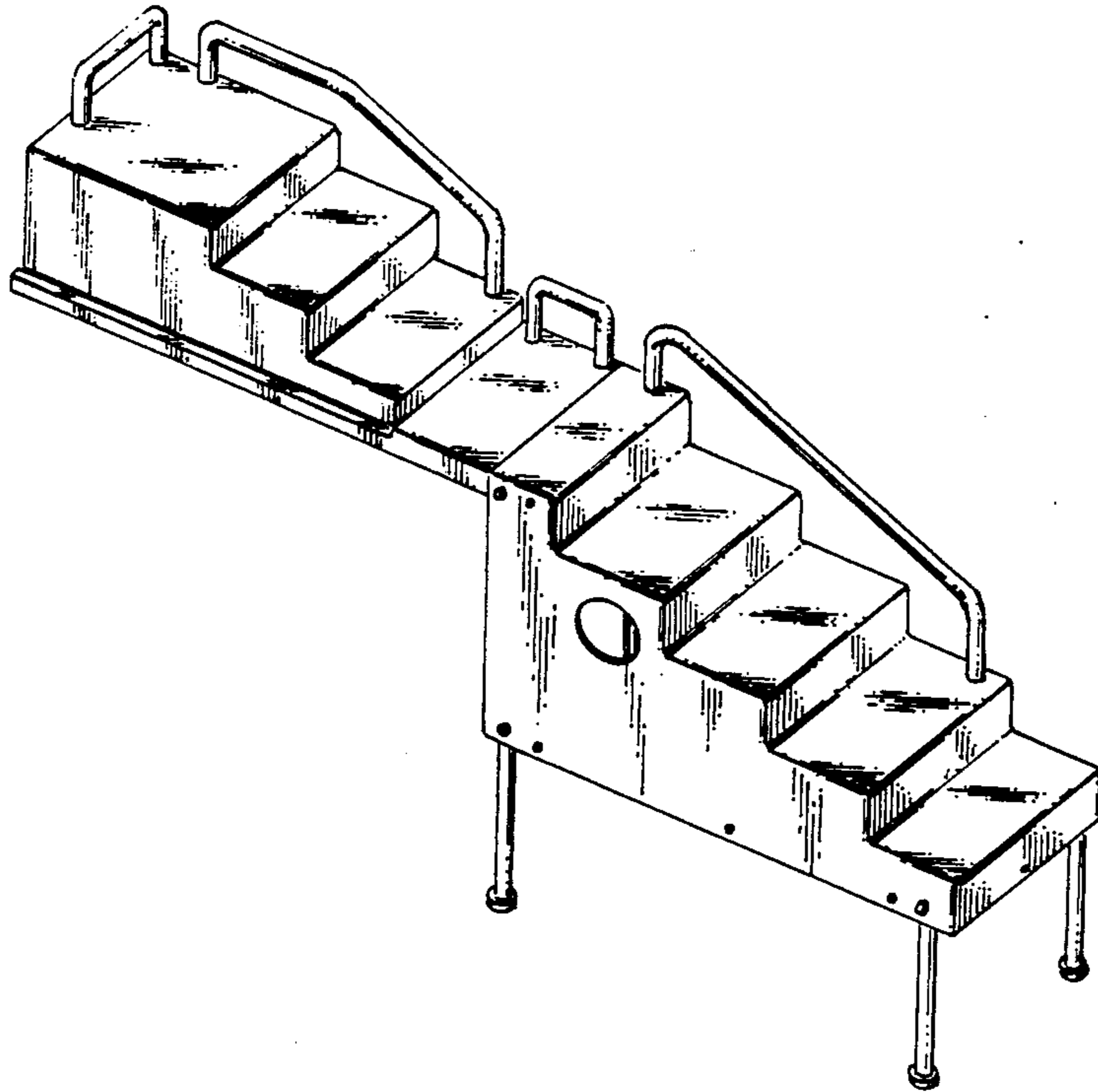
Primary Examiner—A. Hugo Word
Attorney, Agent, or Firm—Bruns and Wall

[57] **CLAIM**

The ornamental design for a pool access apparatus for the disabled, as shown and described.

DESCRIPTION

FIG. 1 is a perspective view of a pool access apparatus for swimming pools embodying my new design;
FIG. 2 is a left side elevation thereof, the right side being a mirror image;
FIG. 3 is a perspective view corresponding to FIG. 1 but showing the two main parts of the access apparatus separated from one another;
FIG. 4 is a side elevation corresponding to FIG. 2 but showing the two main parts of the access apparatus separated from one another;
FIG. 5 is a front elevation thereof;
FIG. 6 is a rear elevation thereof;
FIG. 7 is a top plan view thereof;
FIG. 8 is a bottom plan view thereof;
FIG. 9 is a perspective view thereof with the upper step portion omitted; and
FIG. 10 is a side elevational view thereof with the upper step portion omitted.



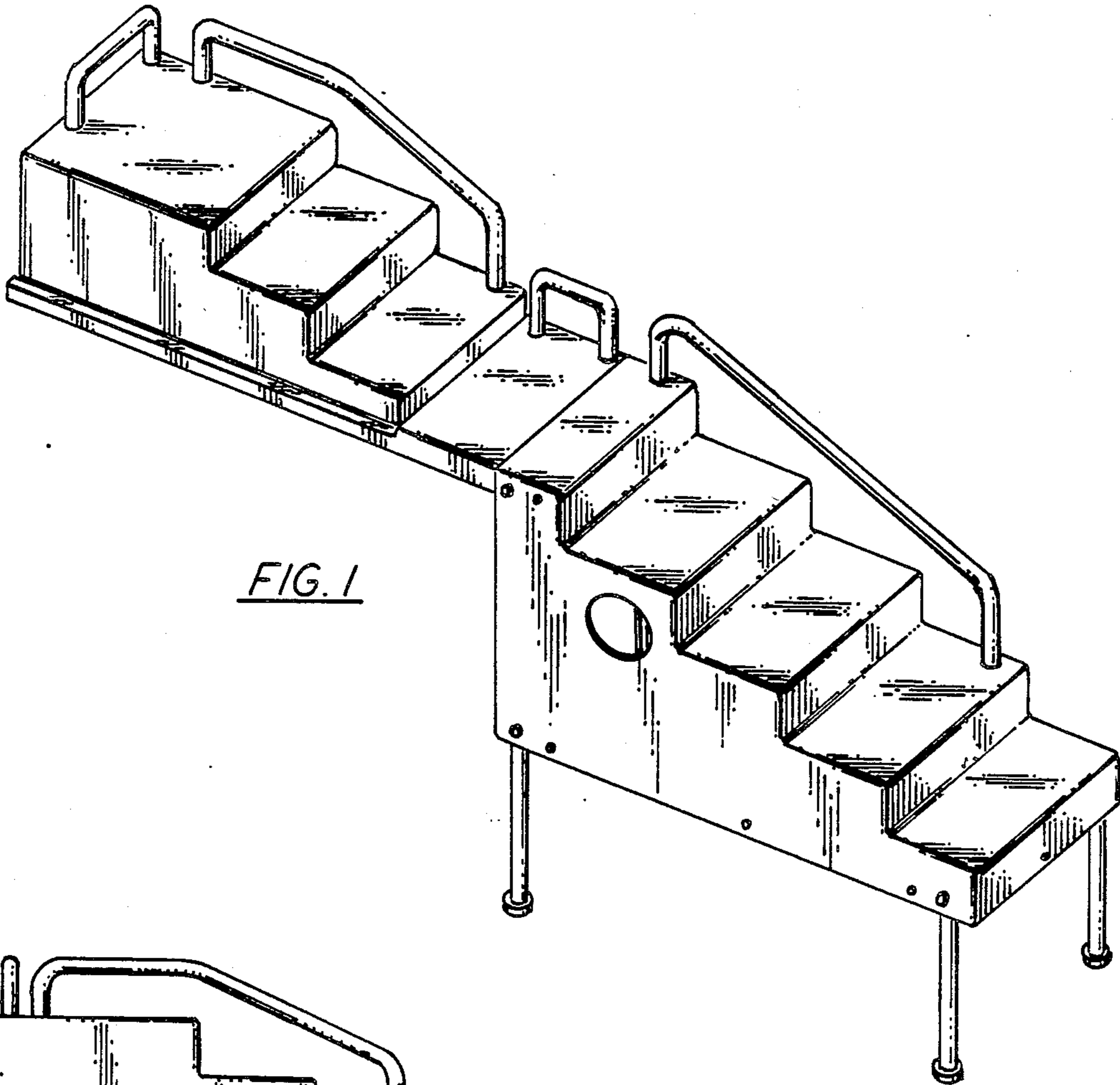


FIG. 1

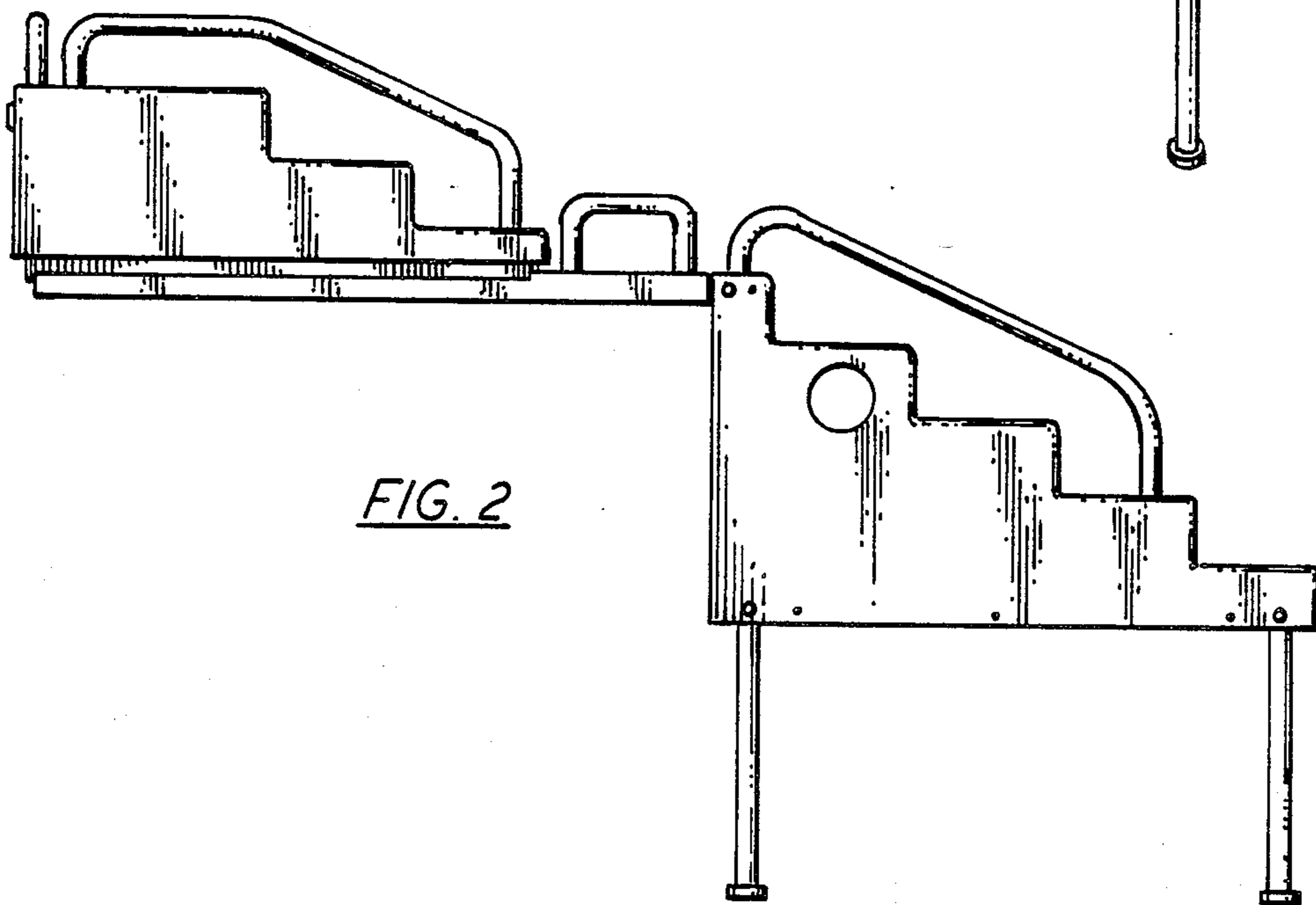
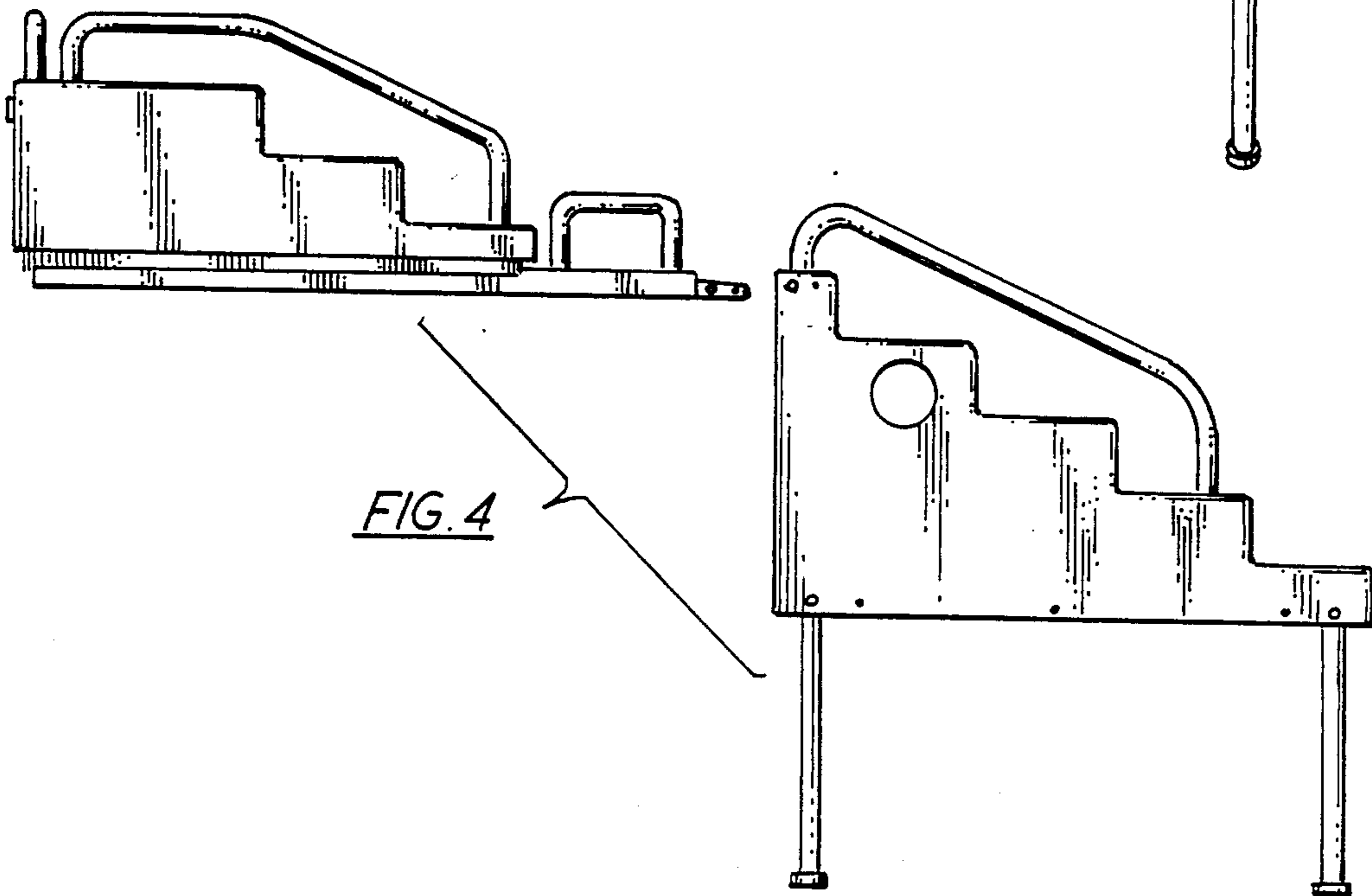
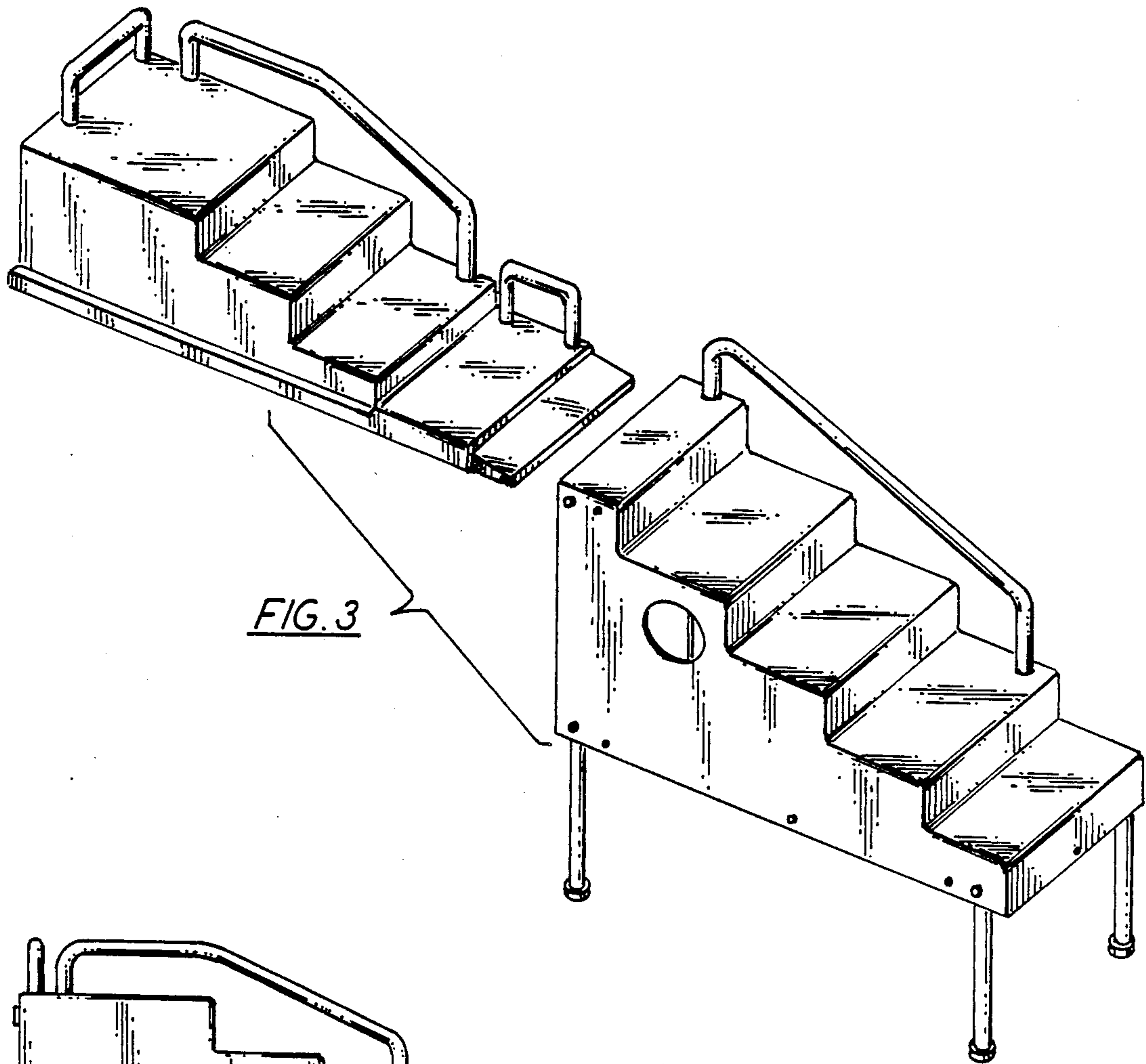


FIG. 2



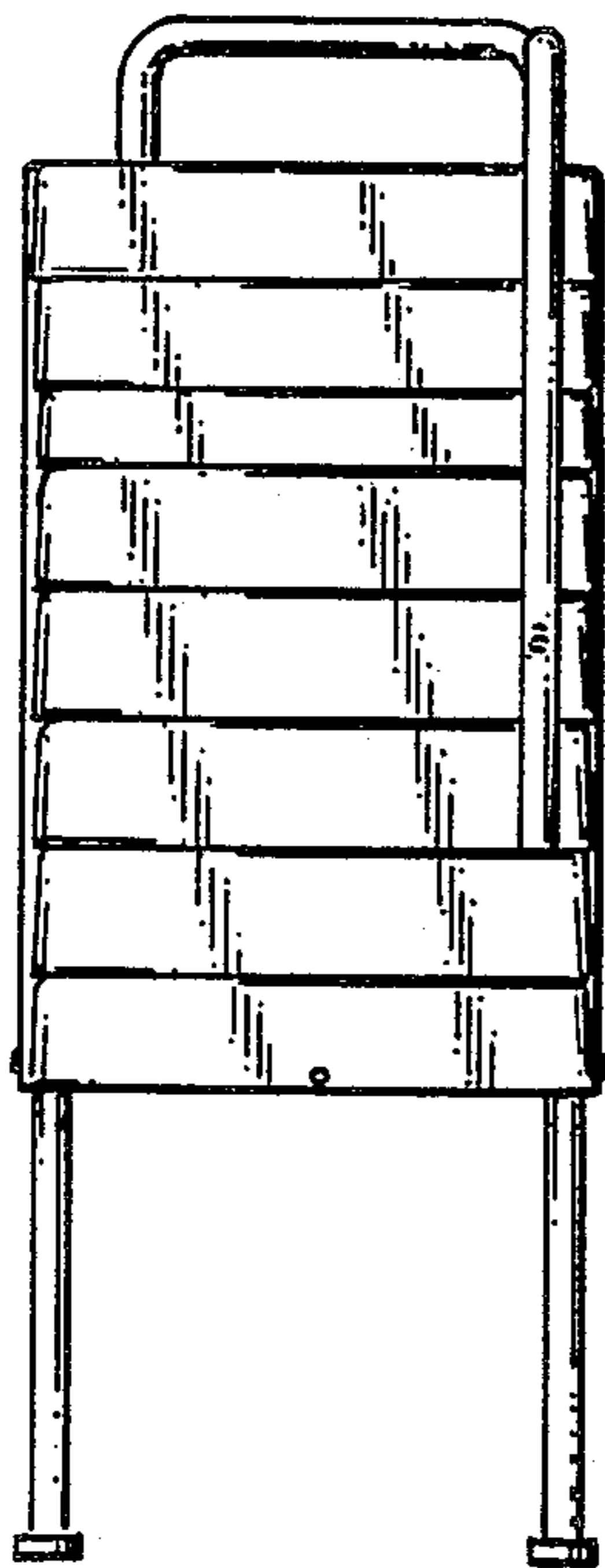


FIG. 5

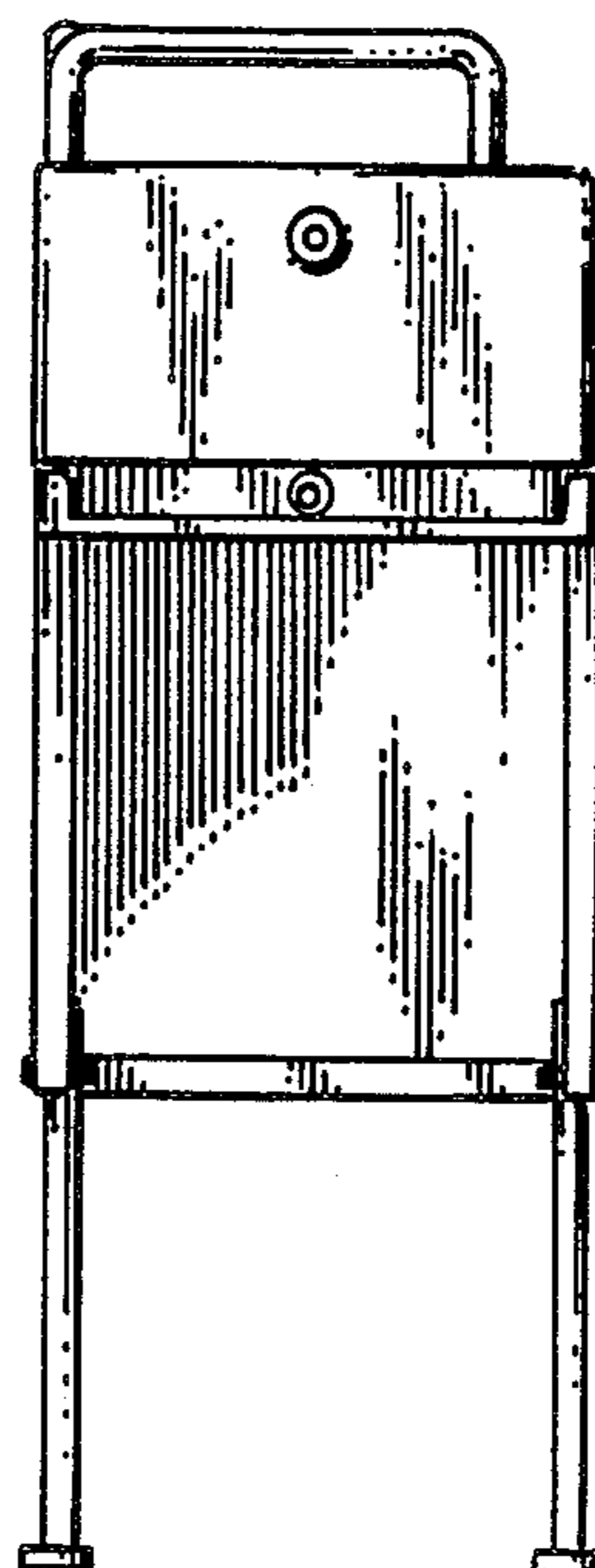


FIG. 6

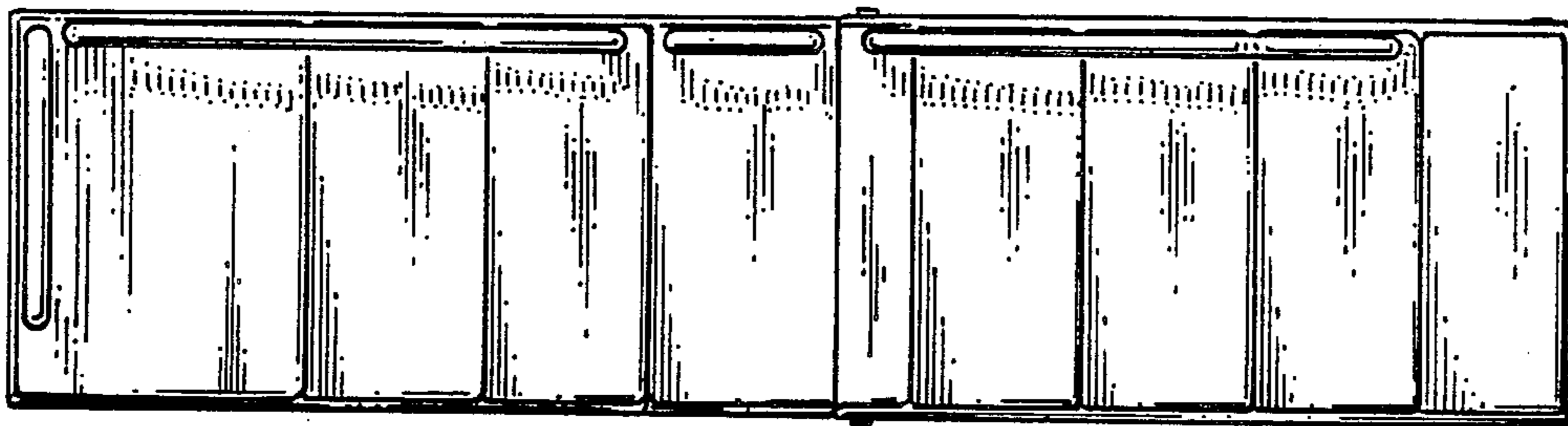


FIG. 7

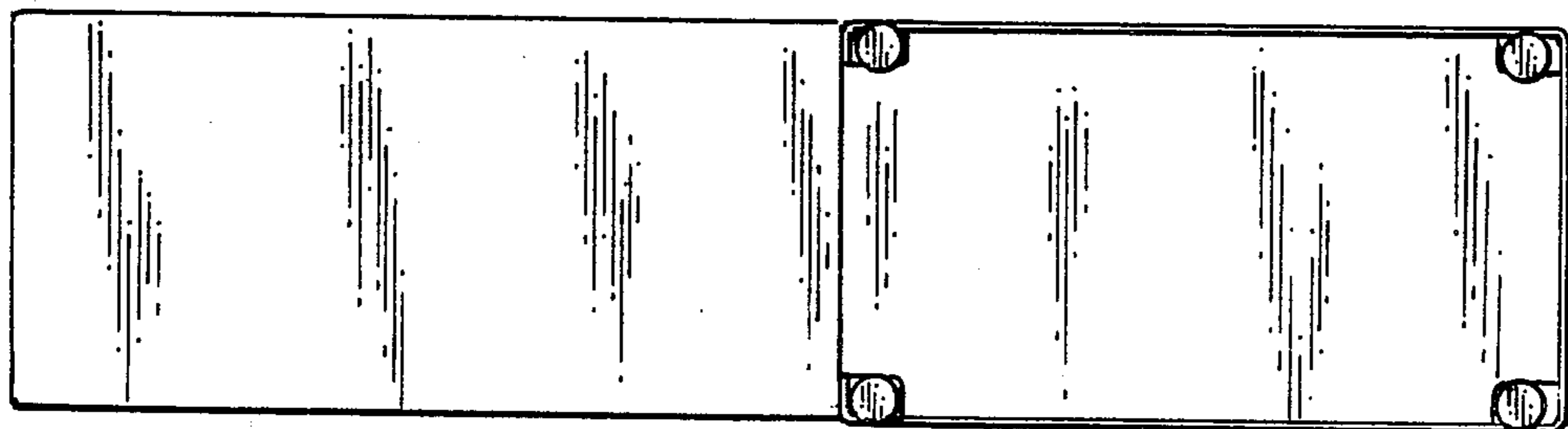


FIG. 8

