

[54] COMBINED ADJUSTABLE POSITIONER AND HOLDER FOR SURGICAL INSTRUMENTS

[76] Inventor: David T. Adler, 110 Dumbarton Dr., Huntington, N.Y. 11743

[**] Term: 14 Years

[21] Appl. No.: 711,618

[22] Filed: Mar. 14, 1985

[52] U.S. Cl. D24/27; D24/8

[58] Field of Search D24/29, 8, 27; 248/229, 248/160, 176, 276; D8/71-73

[56] References Cited

U.S. PATENT DOCUMENTS

D. 235,107	5/1975	Adler	D24/27 X
2,510,198	6/1950	Tesmer	248/229
3,910,538	10/1975	Baitella	248/276 X

4,402,481	9/1983	Sasaki	248/276
4,606,522	8/1986	Heifetz	248/276

Primary Examiner—A. Hugo Word
Assistant Examiner—Stella M. Reid
Attorney, Agent, or Firm—Charles I. Brodsky

[57] CLAIM

The ornamental design for a combined adjustable positioner and holder for surgical instruments, substantially as shown and described.

DESCRIPTION

FIG. 1 is a perspective view of a combined adjustable positioner and holder for surgical instruments, showing my new design;

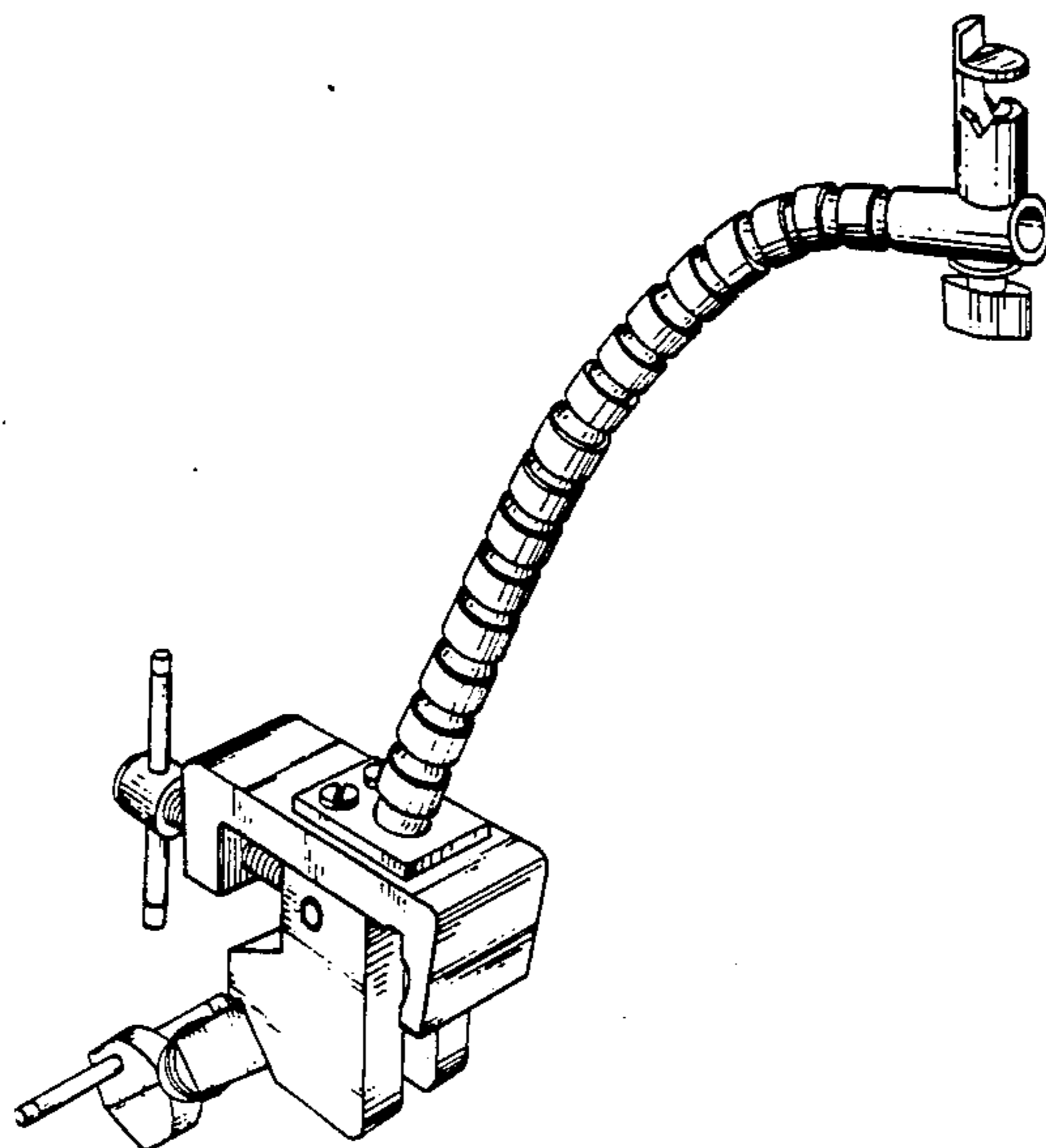
FIG. 2 is a front elevational view thereof;

FIG. 3 is a rear elevational view thereof;

FIG. 4 is a left side elevational view thereof;

FIG. 5 is a top plan view thereof; and

FIG. 6 is a bottom plan view thereof.



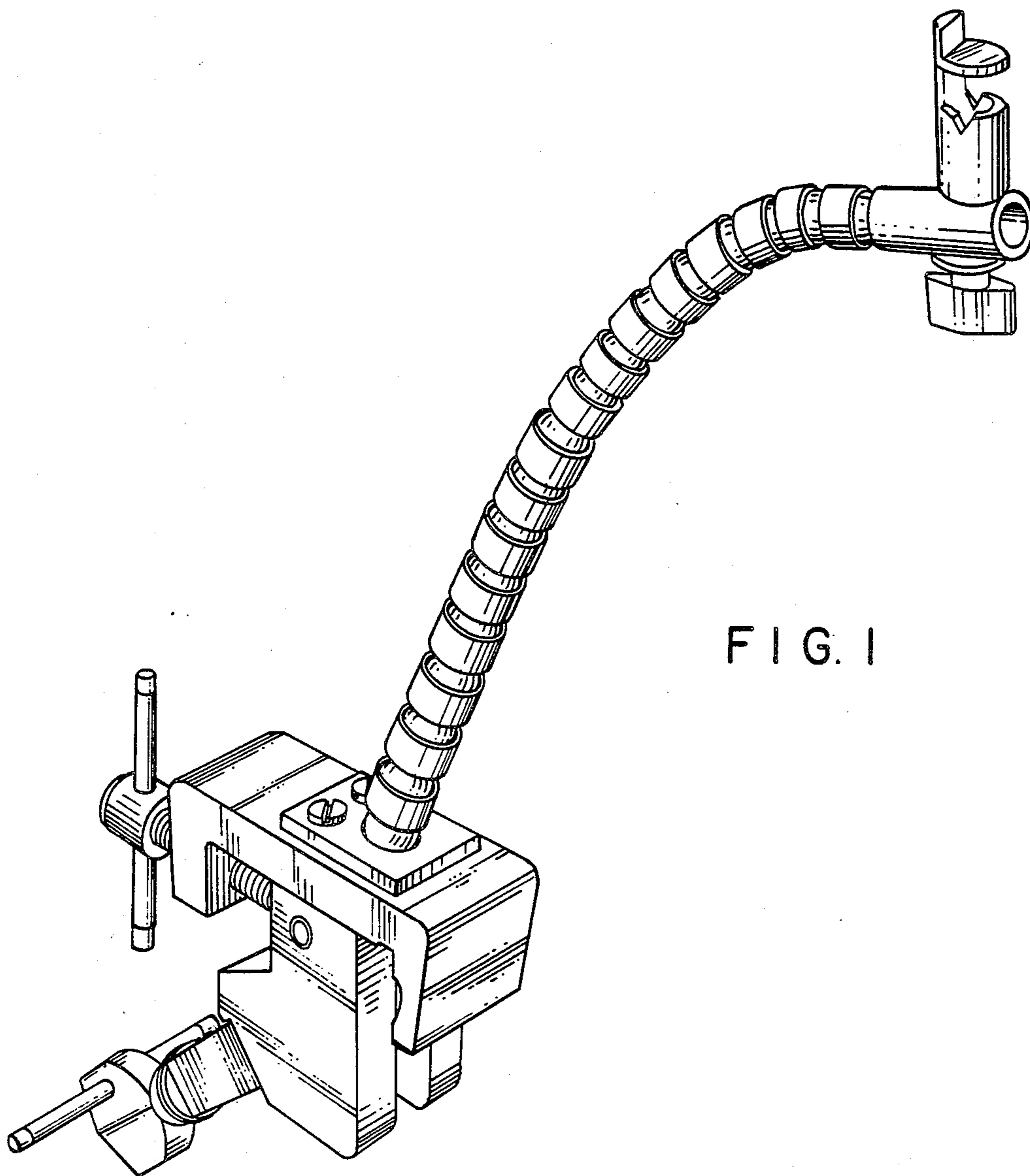


FIG. 1

FIG. 2

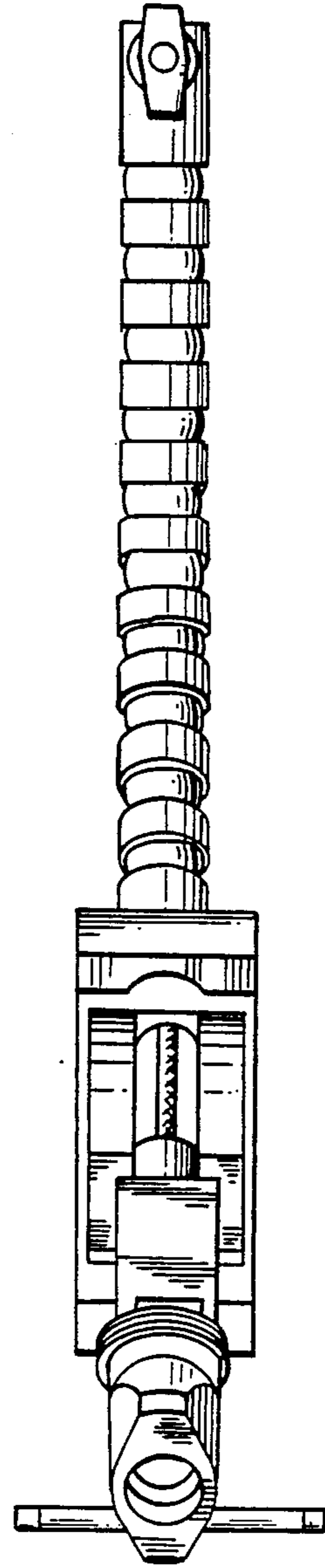
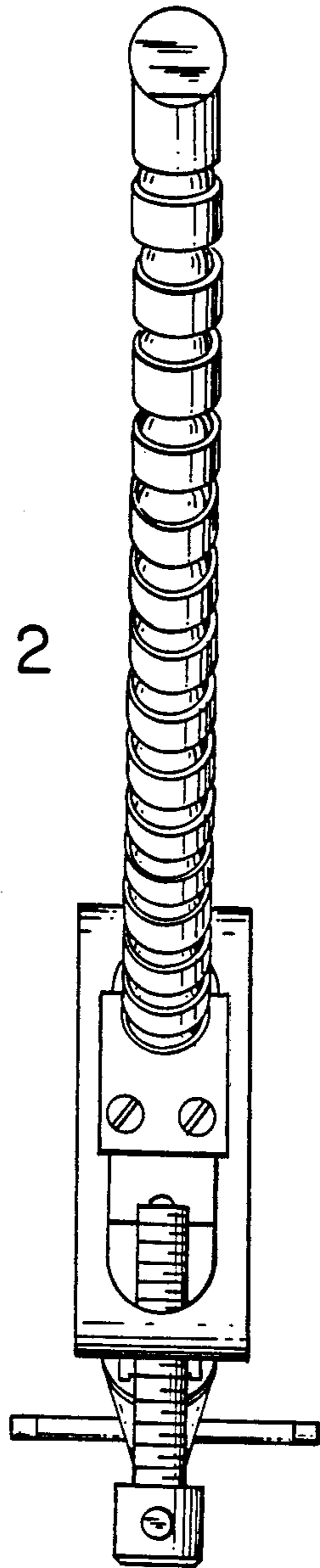


FIG. 3

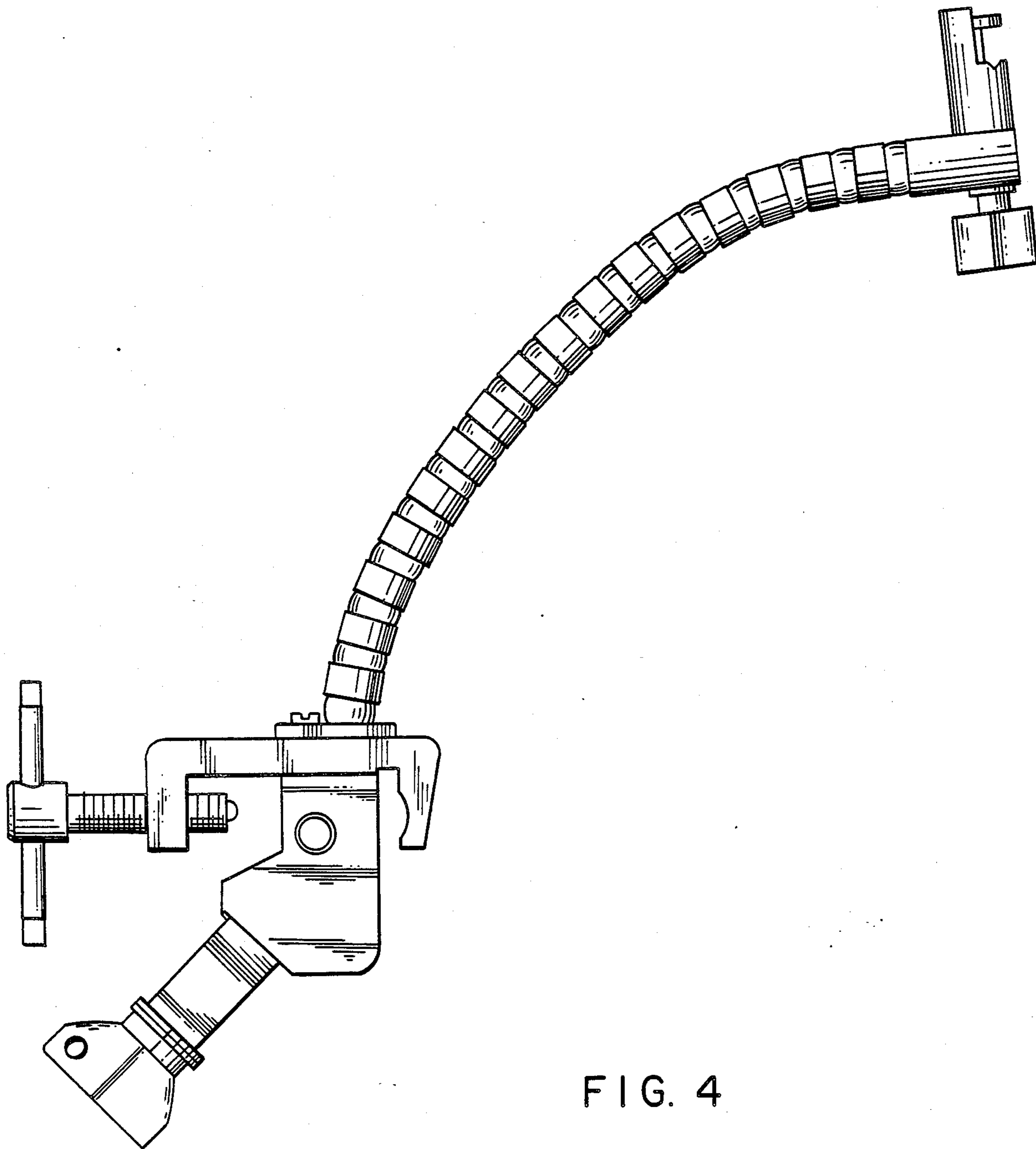


FIG. 4

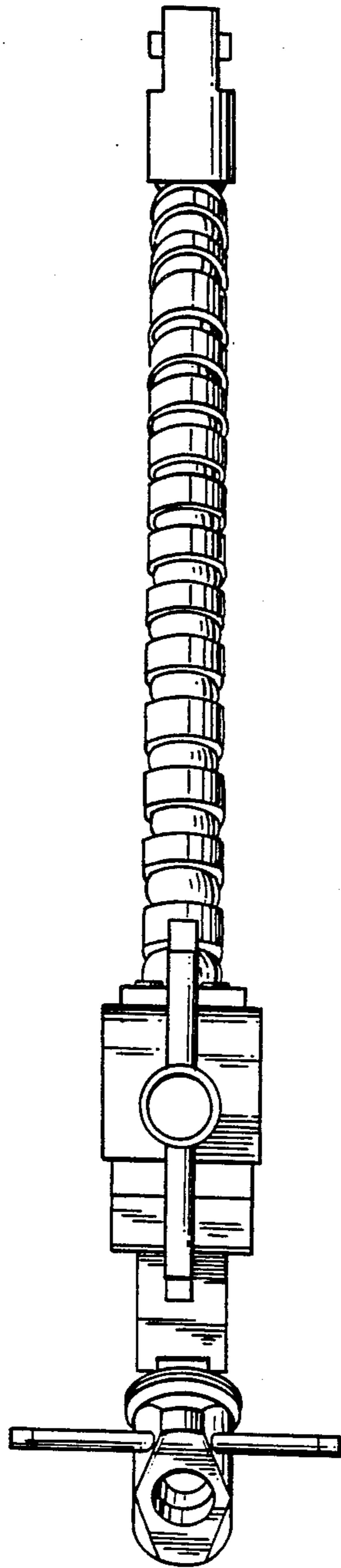


FIG. 5

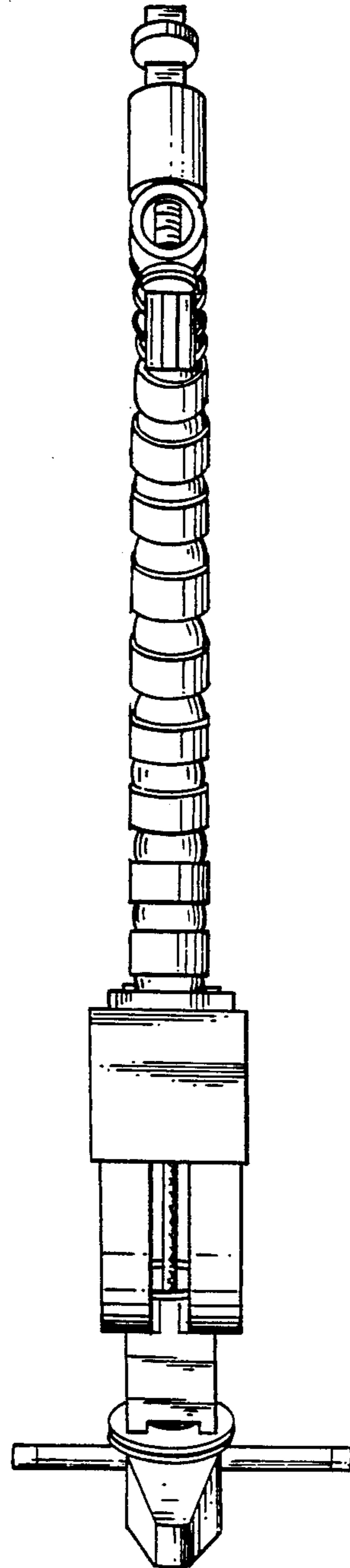


FIG. 6