

[54] I.V. INFUSION PUMP

[75] Inventors: David C. Hill, Poway; Donald Stanley, San Diego, both of Calif.

[73] Assignee: Fisher Scientific Group, San Diego, Calif.

[**] Term: 14 Years

[21] Appl. No.: 774,623

[22] Filed: Sep. 10, 1985

[52] U.S. Cl. D24/17; D24/8

[58] Field of Search D24/52, 51, 17, 8; 604/250, 253, 123, 152

[56] References Cited

U.S. PATENT DOCUMENTS

- 4,217,993 8/1980 Jess et al. 604/123 X
- 4,256,437 3/1981 Brown 604/123 X
- 4,336,800 6/1982 Giovanni 604/123

- 4,396,385 8/1983 Kelly et al. 604/152
- 4,533,347 8/1985 Deckert 604/250 X

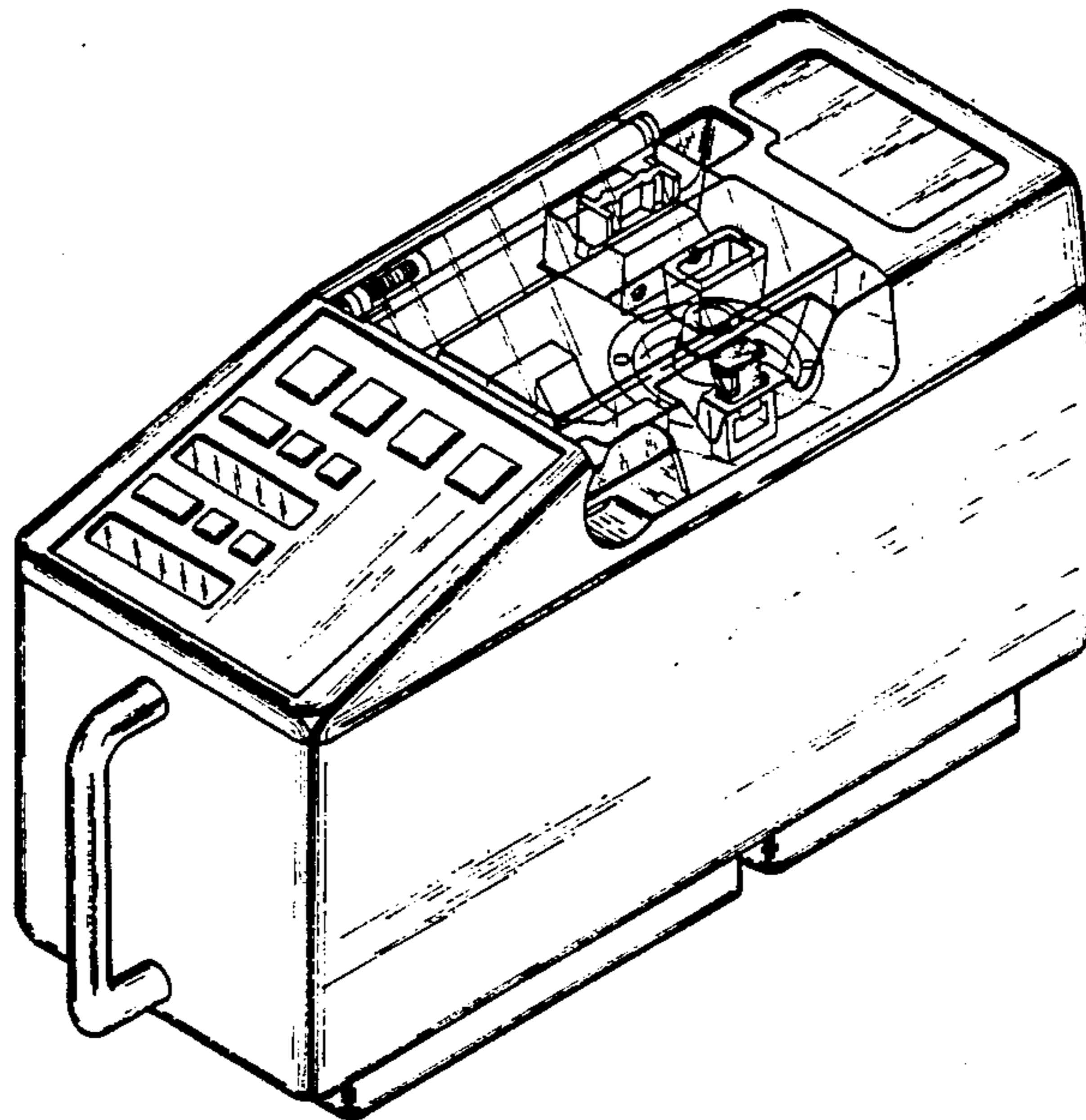
Primary Examiner—A. Hugo Word
Assistant Examiner—Stella M. Reid
Attorney, Agent, or Firm—Workman, Nydegger & Jensen

[57] CLAIM

The ornamental design for an I.V. infusion pump, substantially as shown.

DESCRIPTION

FIG. 1 is a perspective view of an I.V. infusion pump, showing our new design;
FIG. 2 is a front elevational view of the I.V. infusion pump;
FIG. 3 is a right side view of the I.V. infusion pump;
FIG. 4 is a back view of the I.V. infusion pump;
FIG. 5 is a bottom view of the I.V. infusion pump; and
FIG. 6 is a perspective view of the I.V. infusion pump as seen in FIG. 1 with the door open.



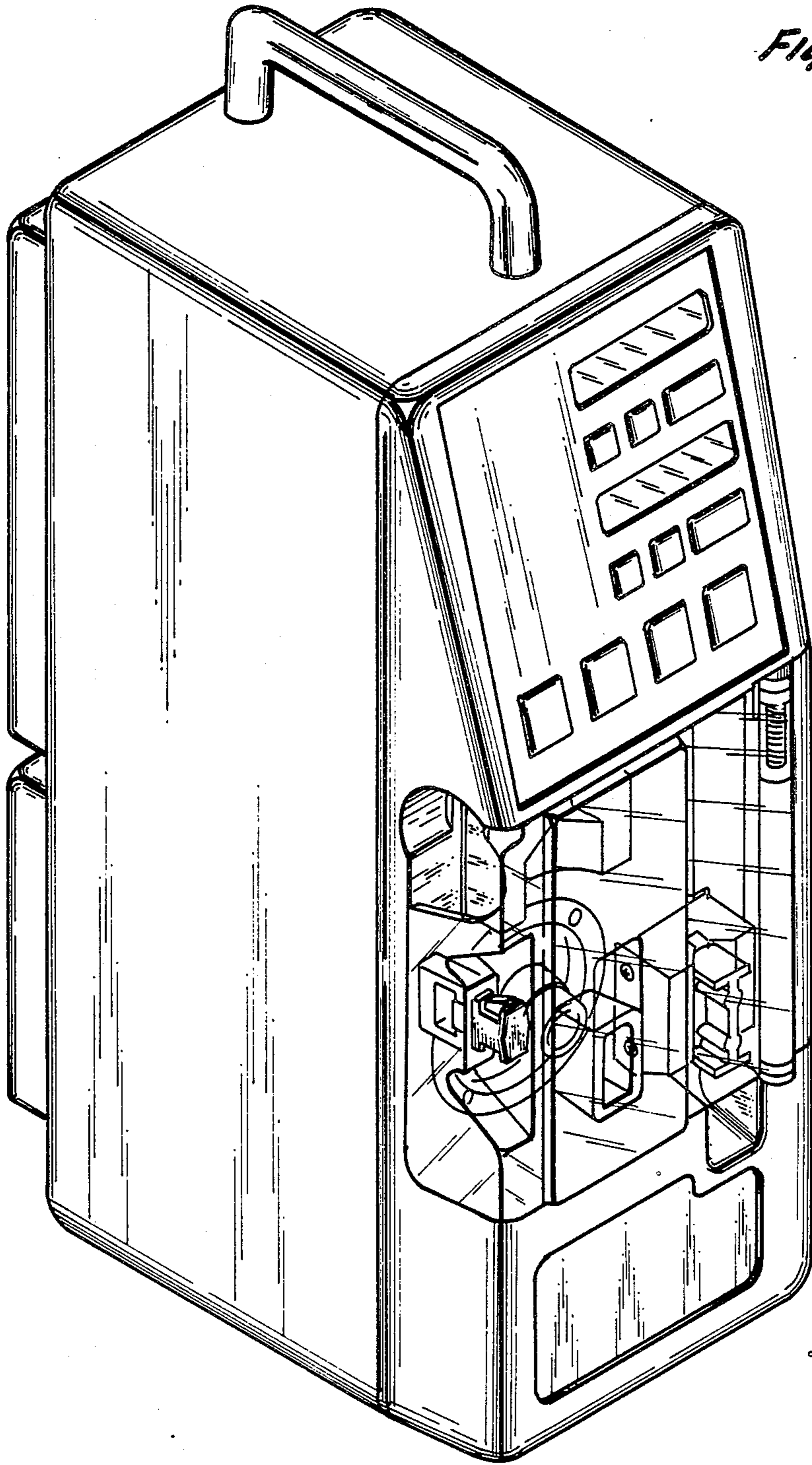


Fig. 1

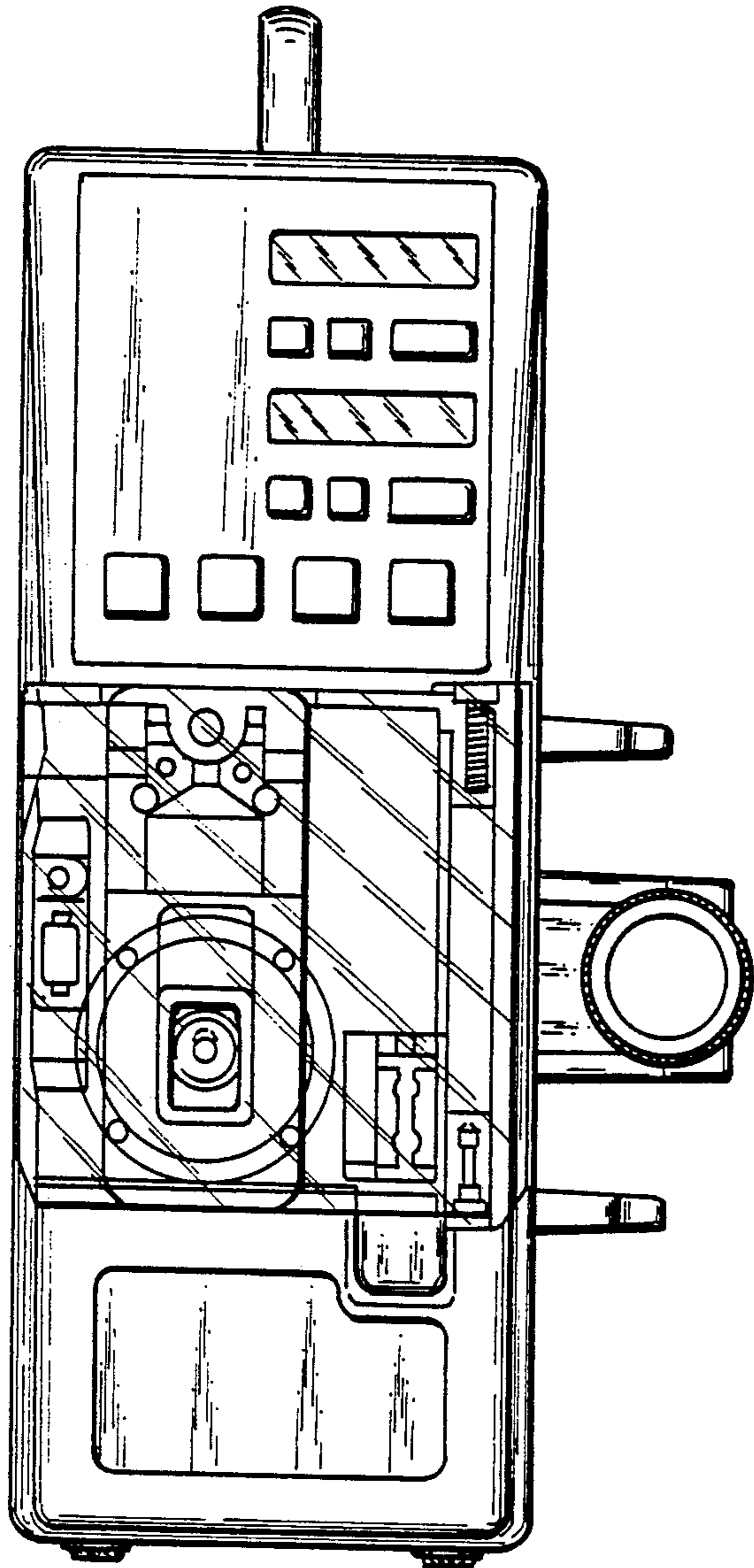


Fig. 2

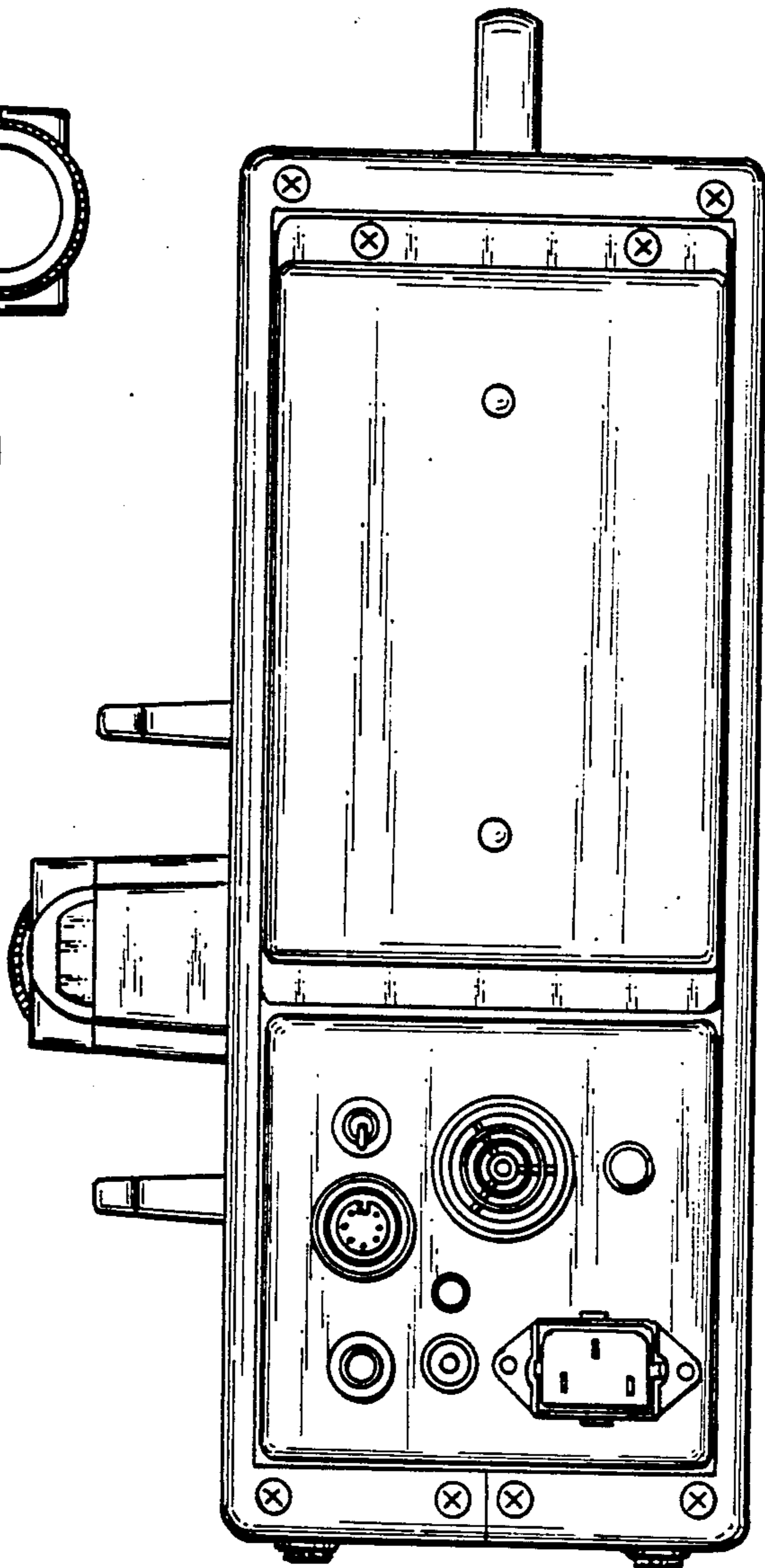


Fig. 4

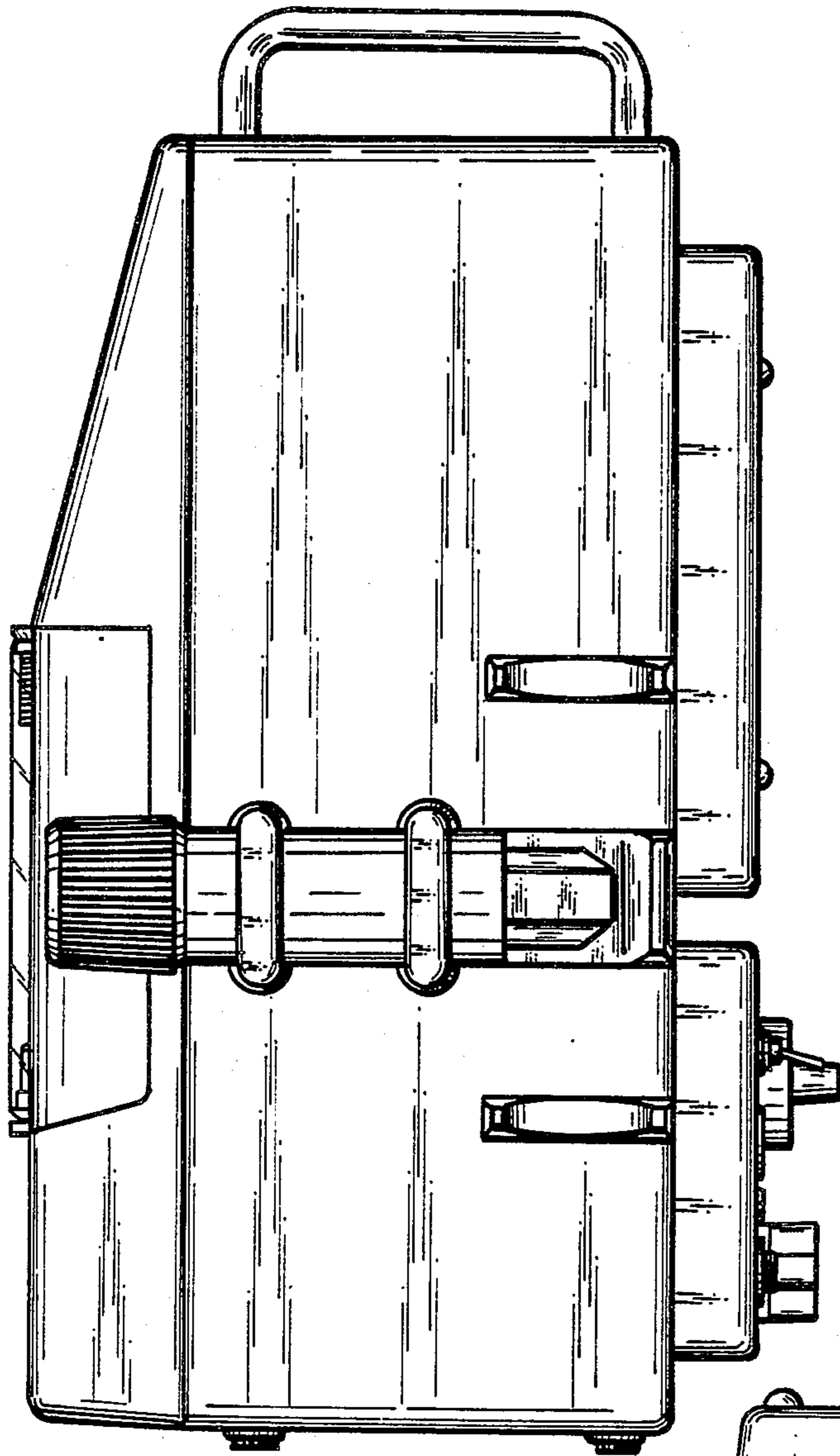


Fig. 3

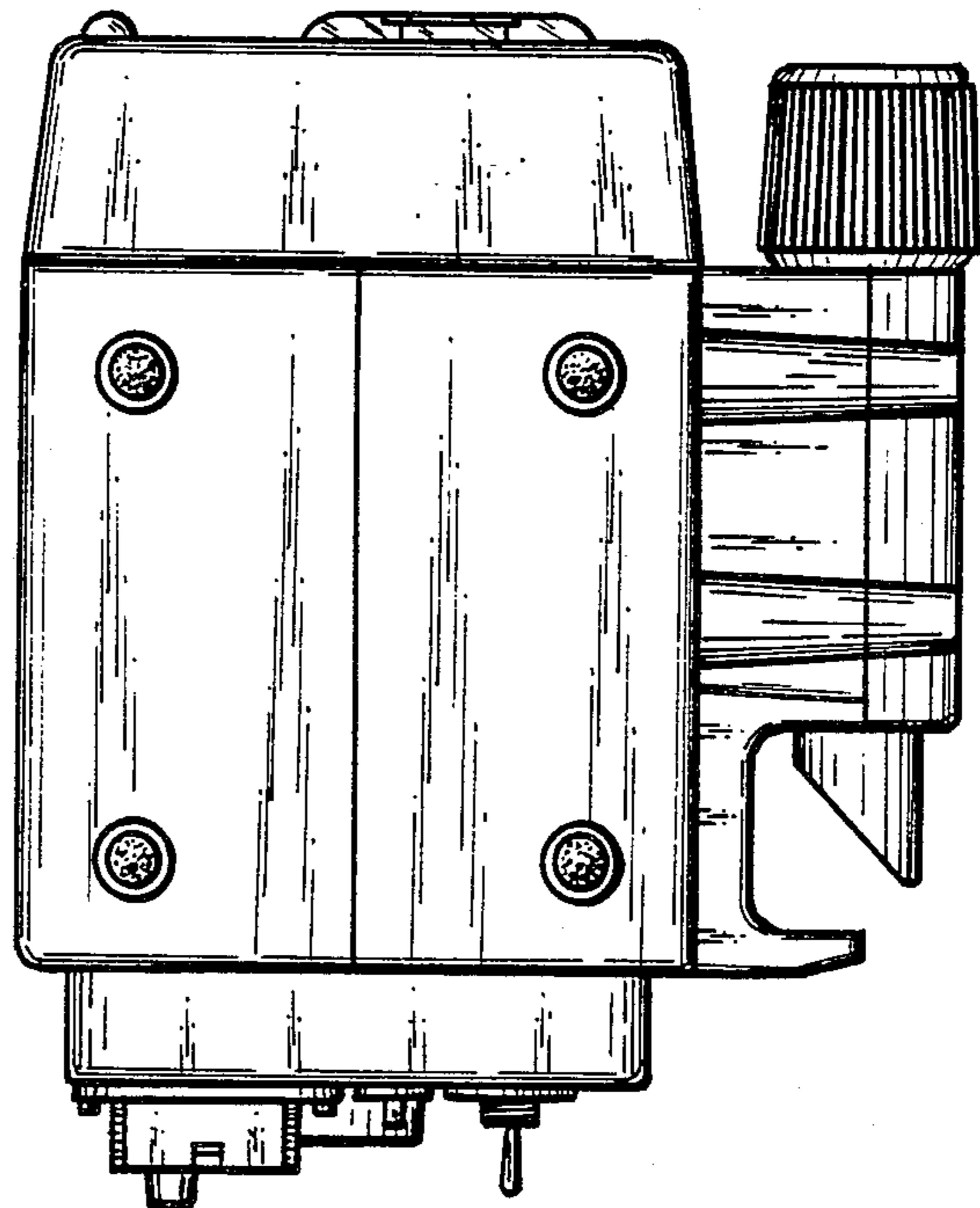


Fig. 5

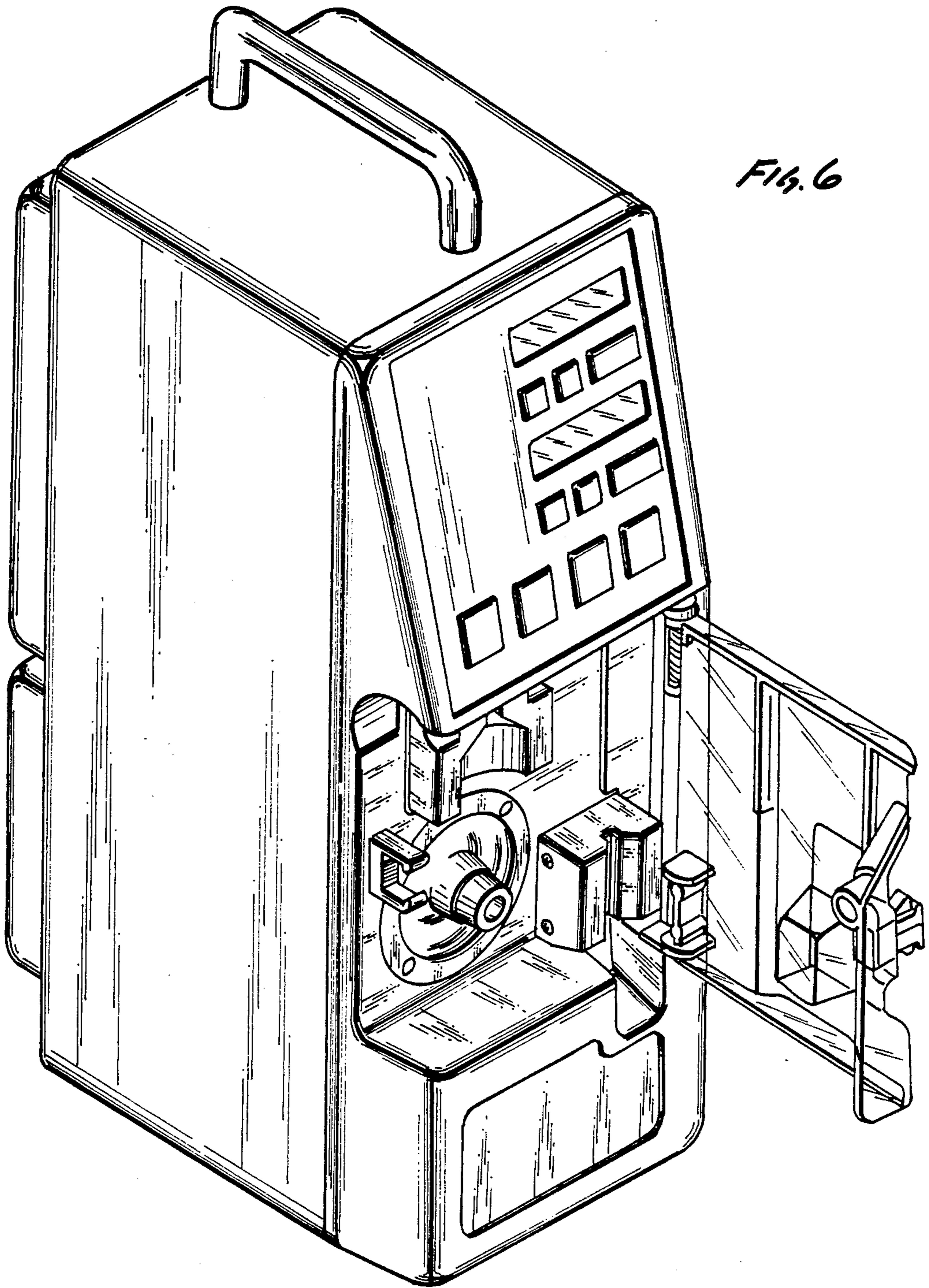


Fig. 6