

# United States Patent [19]

Bower et al.

[11] Patent Number: Des. 293,462

[45] Date of Patent: \*\* Dec. 29, 1987

[54] FUEL DISPENSING NOZZLE

[75] Inventors: Allen M. Bower, Erie; Eric J. Butterfield, Fairview, both of Pa.; Robert D. Roberts, Jefferson, Ohio

[73] Assignee: Emco Wheaton, Inc., Conneaut, Ohio

[\*\*] Term: 14 Years

[21] Appl. No.: 789,077

[22] Filed: Oct. 18, 1985

[52] U.S. Cl. .... D23/226

[58] Field of Search ..... D23/34-39; 222/74, 75, 505, 538, 854; 141/198-229, 739

[56] References Cited

U.S. PATENT DOCUMENTS

- D. 206,928 2/1967 Noyes et al. .... D23/37
- D. 219,214 11/1970 Eklund ..... D23/34
- D. 223,914 6/1972 Brown et al. .... D23/37

- D. 263,618 3/1982 Taylor ..... D23/37
- 3,734,339 5/1973 Young ..... 222/505 X
- 4,033,389 7/1977 Hansel et al. .... 141/208 X
- 4,060,110 11/1977 Bower ..... 141/207
- 4,131,140 12/1978 Deters ..... 141/206

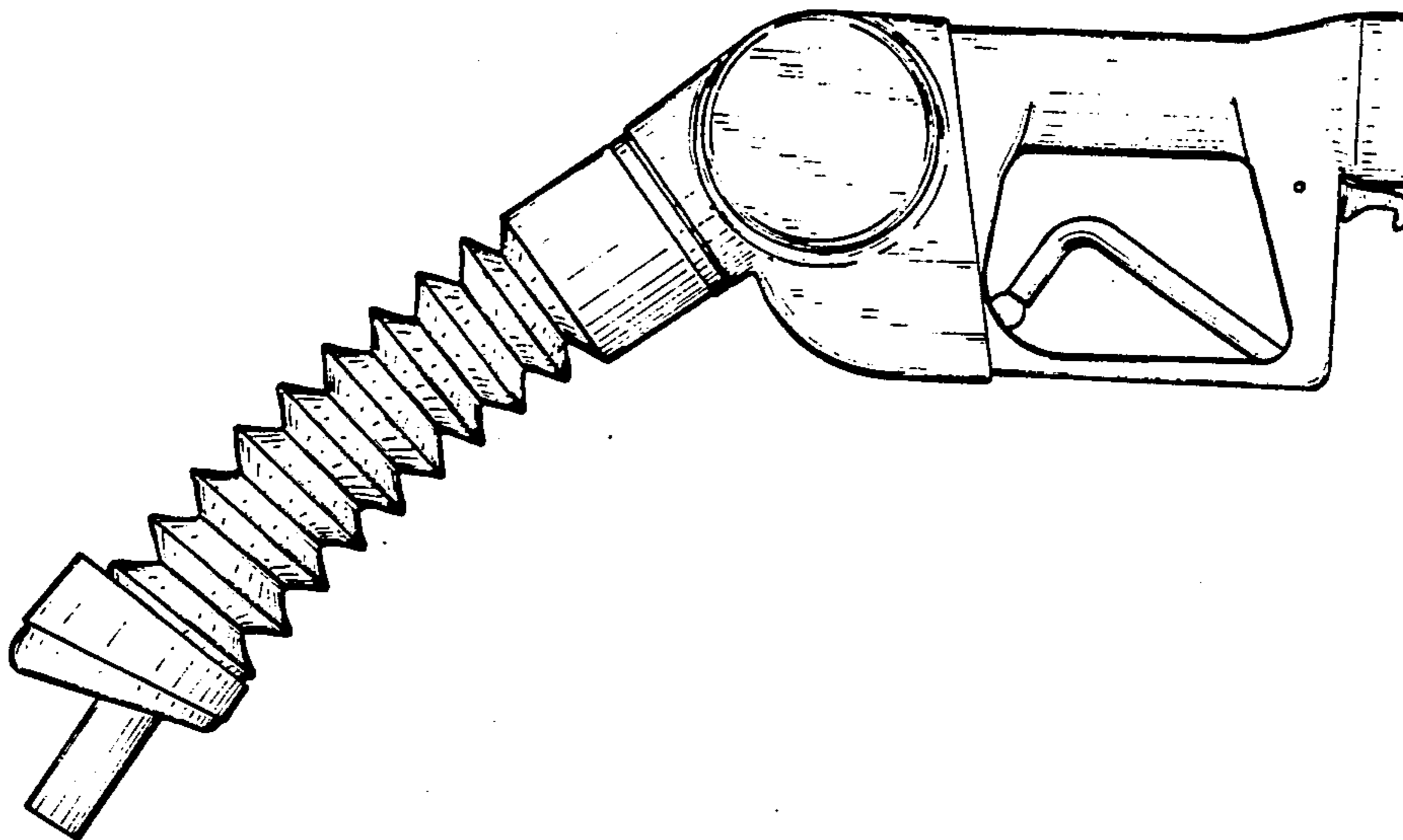
Primary Examiner—James R. Largen  
Attorney, Agent, or Firm—Pearne, Gordon, McCoy & Granger

[57] CLAIM

The ornamental design for a fuel dispensing nozzle, as shown and described.

DESCRIPTION

- FIG. 1 is a right side elevational view of a fuel dispensing nozzle showing our new design, the left side being a mirror image of the right side shown.
- FIG. 2 is a top plan view thereof.
- FIG. 3 is a bottom plan view thereof.
- FIG. 4 is a front elevational view thereof.
- FIG. 5 is a rear elevational view thereof.



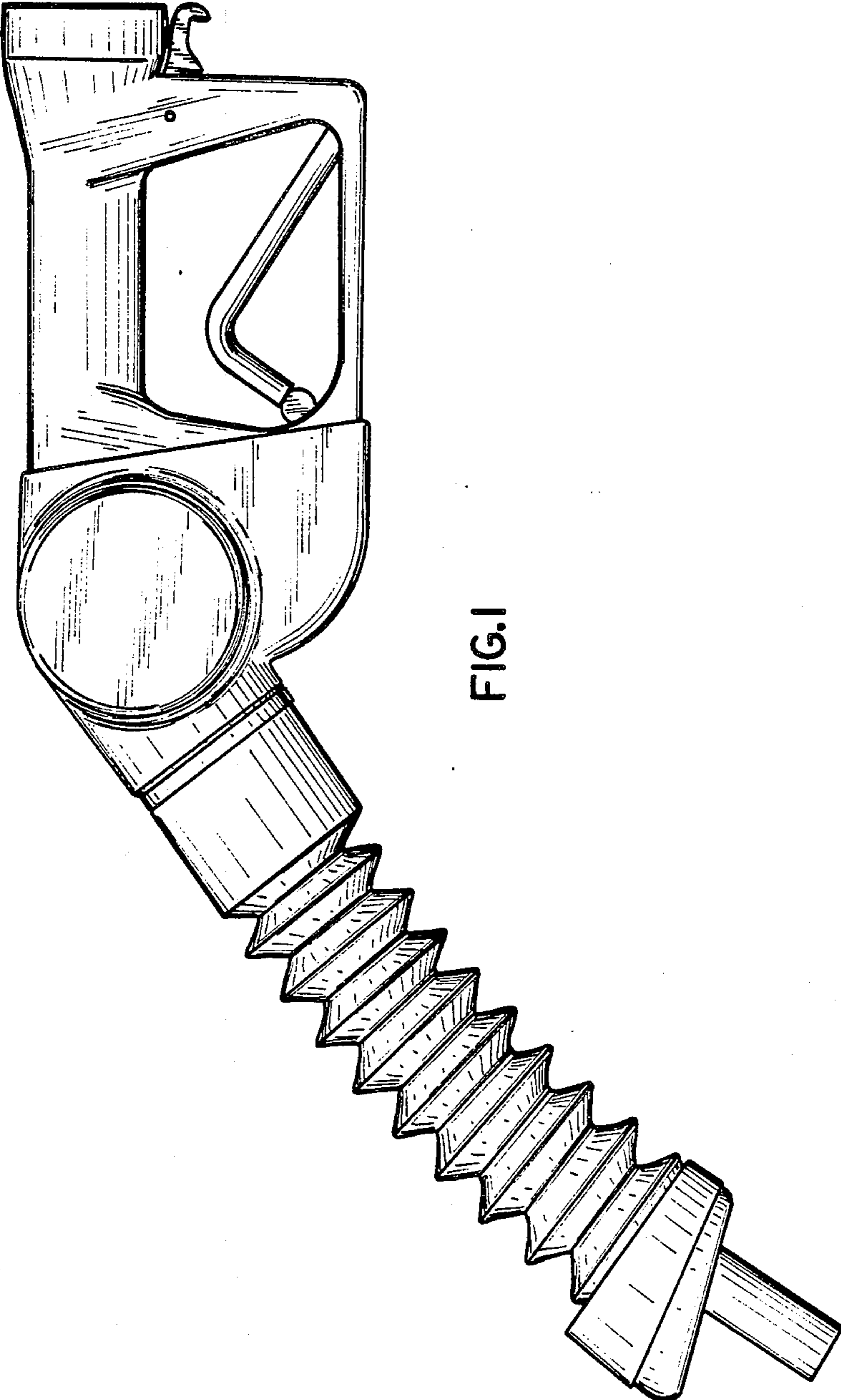


FIG. 1

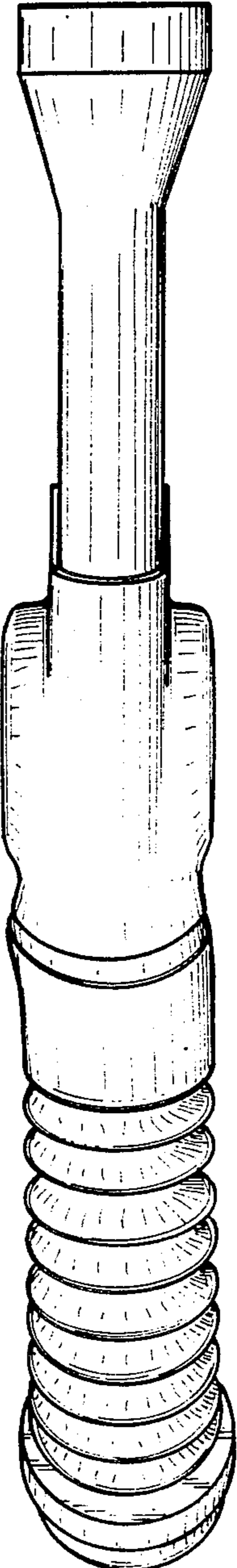


FIG. 2

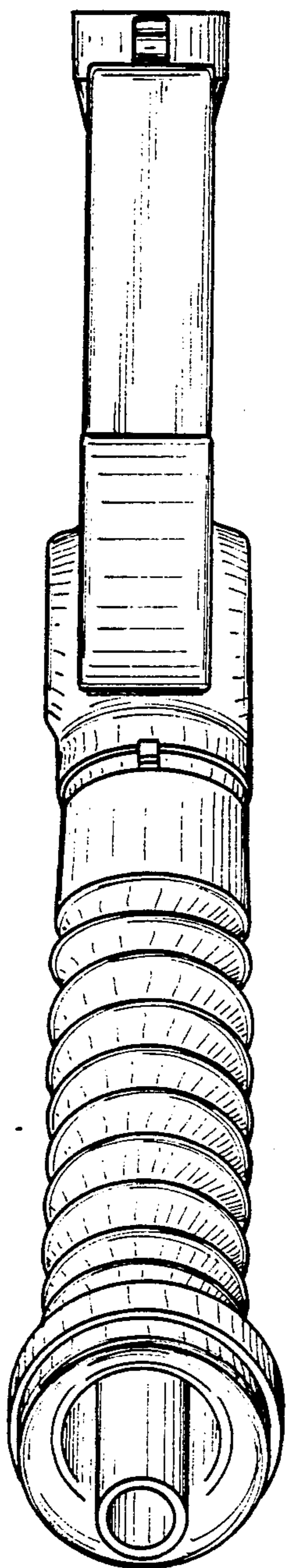


FIG.3

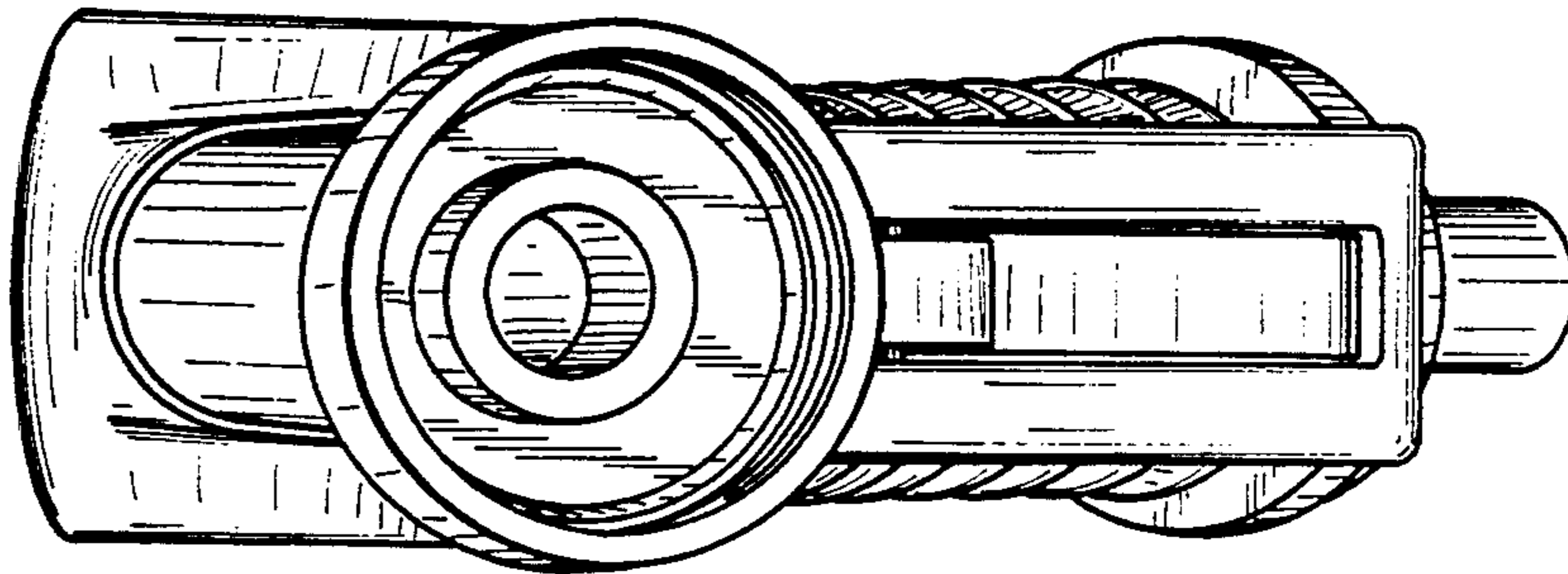


FIG.5

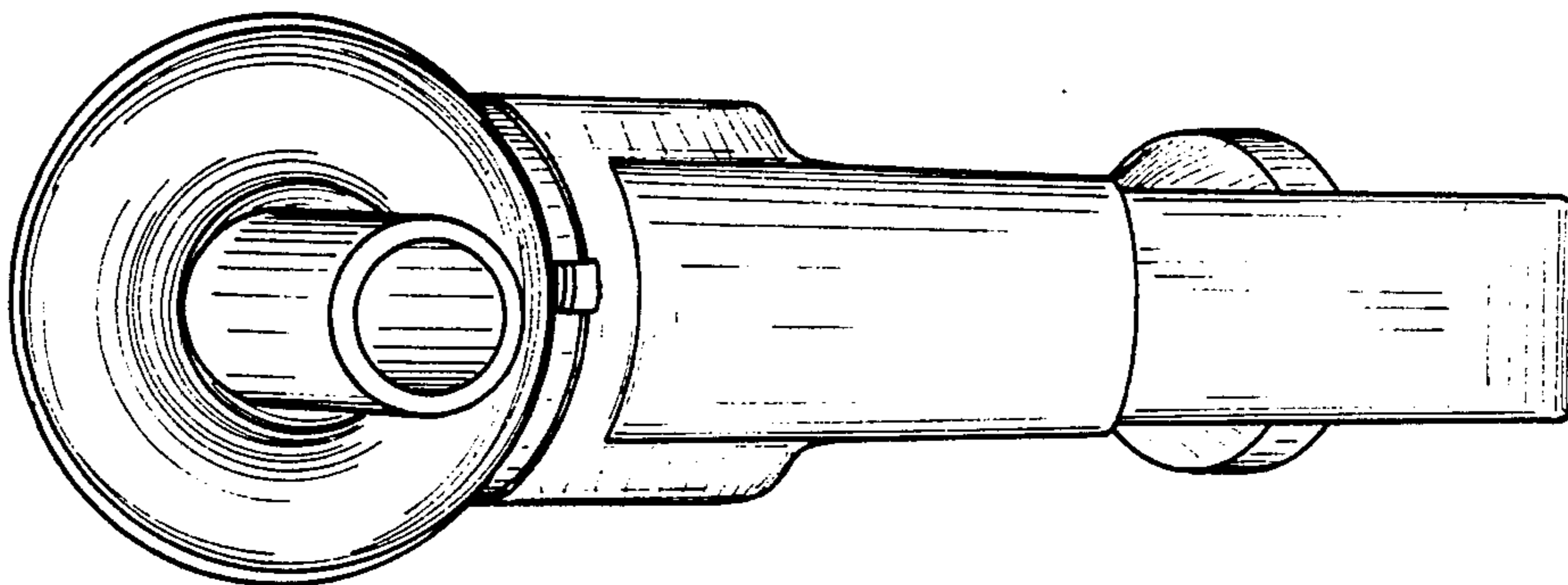


FIG.4