

- [54] SIGHT OVER SCOPE GUN SIGHT
- [76] Inventor: Paul D. Williams, 9241 Davison,
Davison, Mich. 48423
- [**] Term: 14 Years
- [21] Appl. No.: 731,153
- [22] Filed: May 6, 1985
- [52] U.S. Cl. D22/109; D22/110
- [58] Field of Search 33/233, 251, 252, 253,
33/261; 42/100; D22/109, 110

[56] **References Cited**

U.S. PATENT DOCUMENTS

- D. 232,828 9/1974 Kwako D22/109
- D. 253,545 11/1979 Chesnut .
- D. 259,944 7/1981 Burris D22/110
- 2,054,090 9/1936 Marple .
- 2,377,704 6/1943 Loomis .
- 3,193,932 7/1965 Johnson .
- 3,626,597 12/1971 Darrah .
- 3,834,035 9/1974 Merrill .
- 3,975,851 8/1976 Benford .
- 4,429,468 2/1984 Jimenez et al. D22/110 X

Primary Examiner—A. Hugo Word

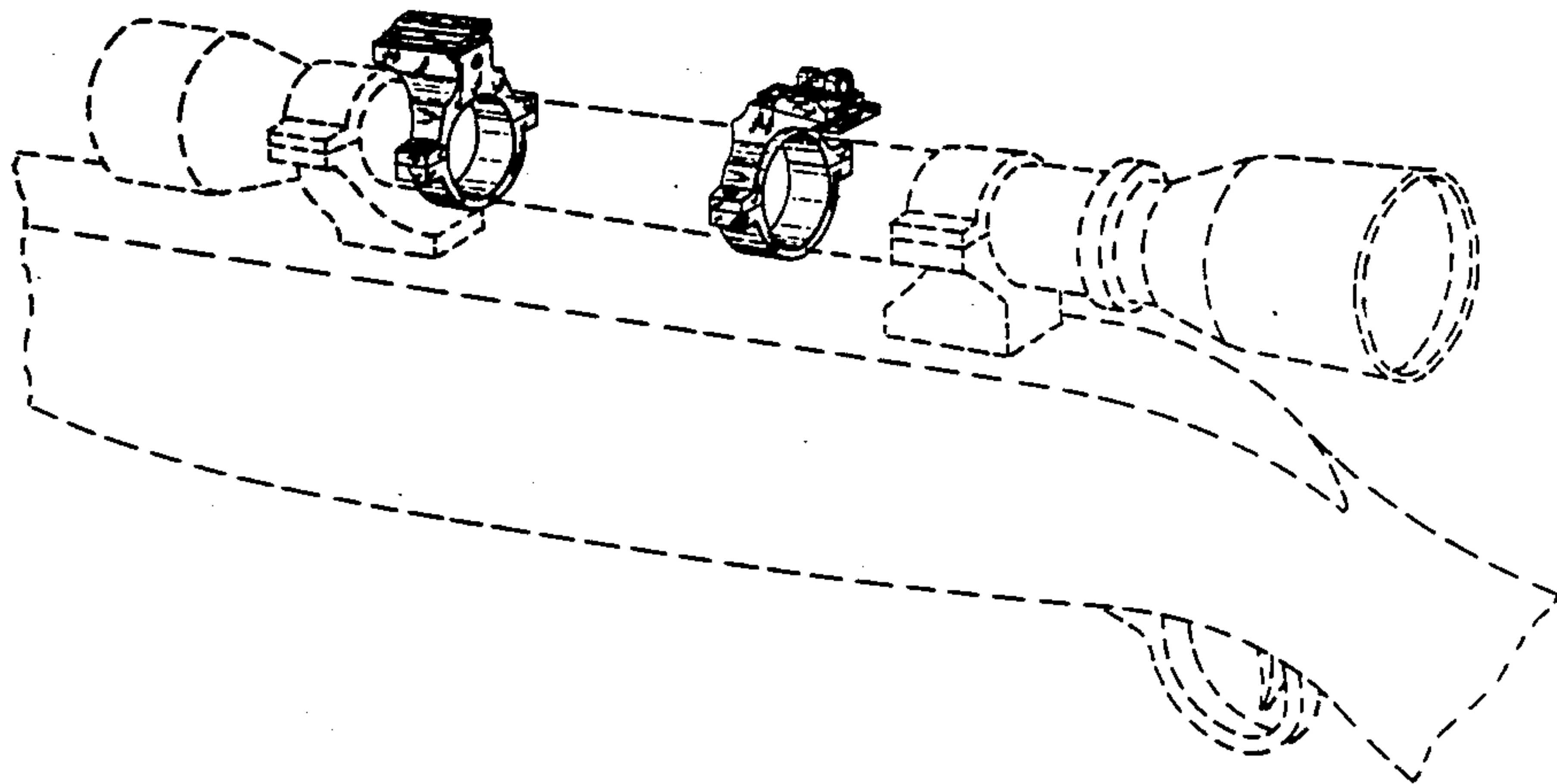
Attorney, Agent, or Firm—Harness, Dickey & Pierce

[57] **CLAIM**

The ornamental design for a sight over scope gun sight, as shown and described.

DESCRIPTION

FIG. 1 is an elevated perspective view of a sight over scope gun sight showing my new design, the broken lines showing the scope and the rifle are for illustrative purposes only and form no part of the claimed design; FIG. 2 is a side elevational view design; FIG. 3 is a top plan view; FIG. 4 is a bottom plan view; FIG. 5 is an end view of the portion of the gun sight design shown in the direction of the arrows of 5—5 of FIG. 2; FIG. 6 is an end view of the portion of the gun sight design shown in the direction of the arrows of 6—6 of FIG. 2; FIG. 7 is an end view of the portion of the gun sight design shown in the direction of the arrows of 7—7 of FIG. 2; FIG. 8 is an end view of the portion of the gun sight design shown in the direction of the arrows of 8—8 of FIG. 2.



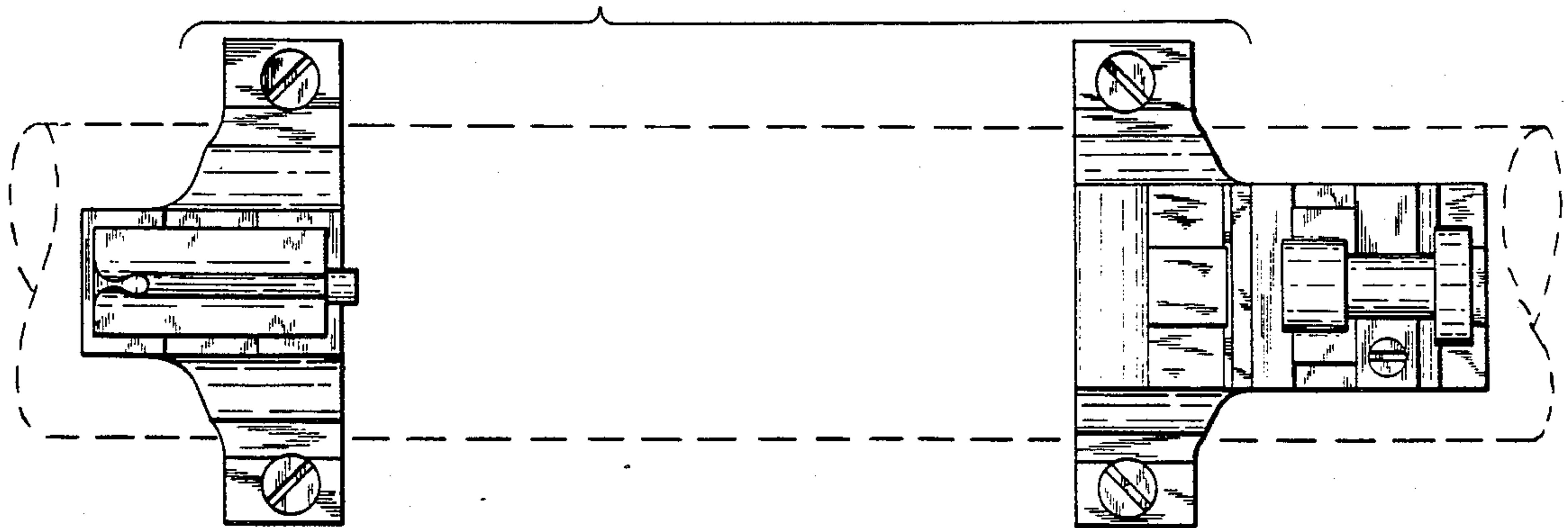
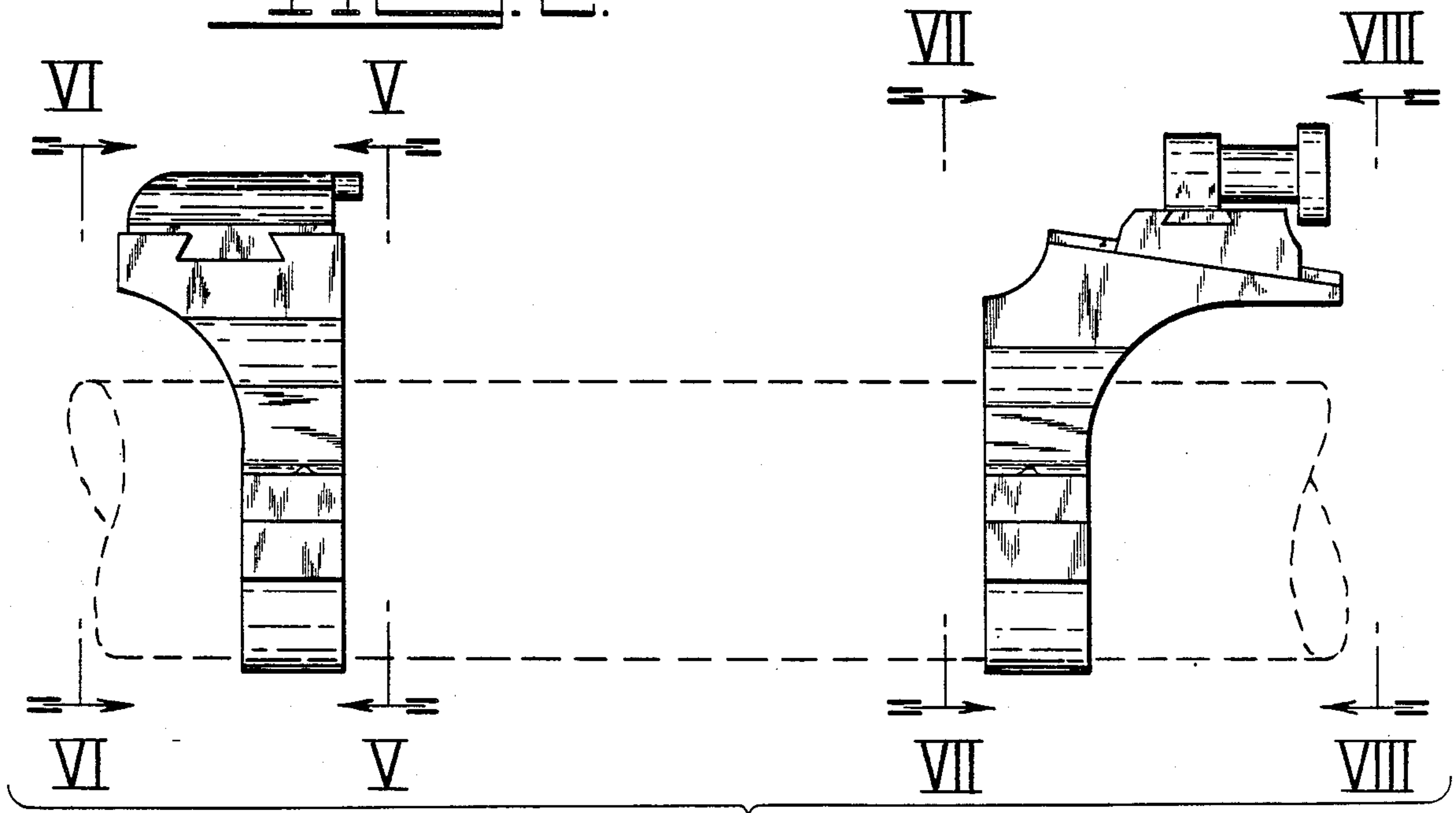
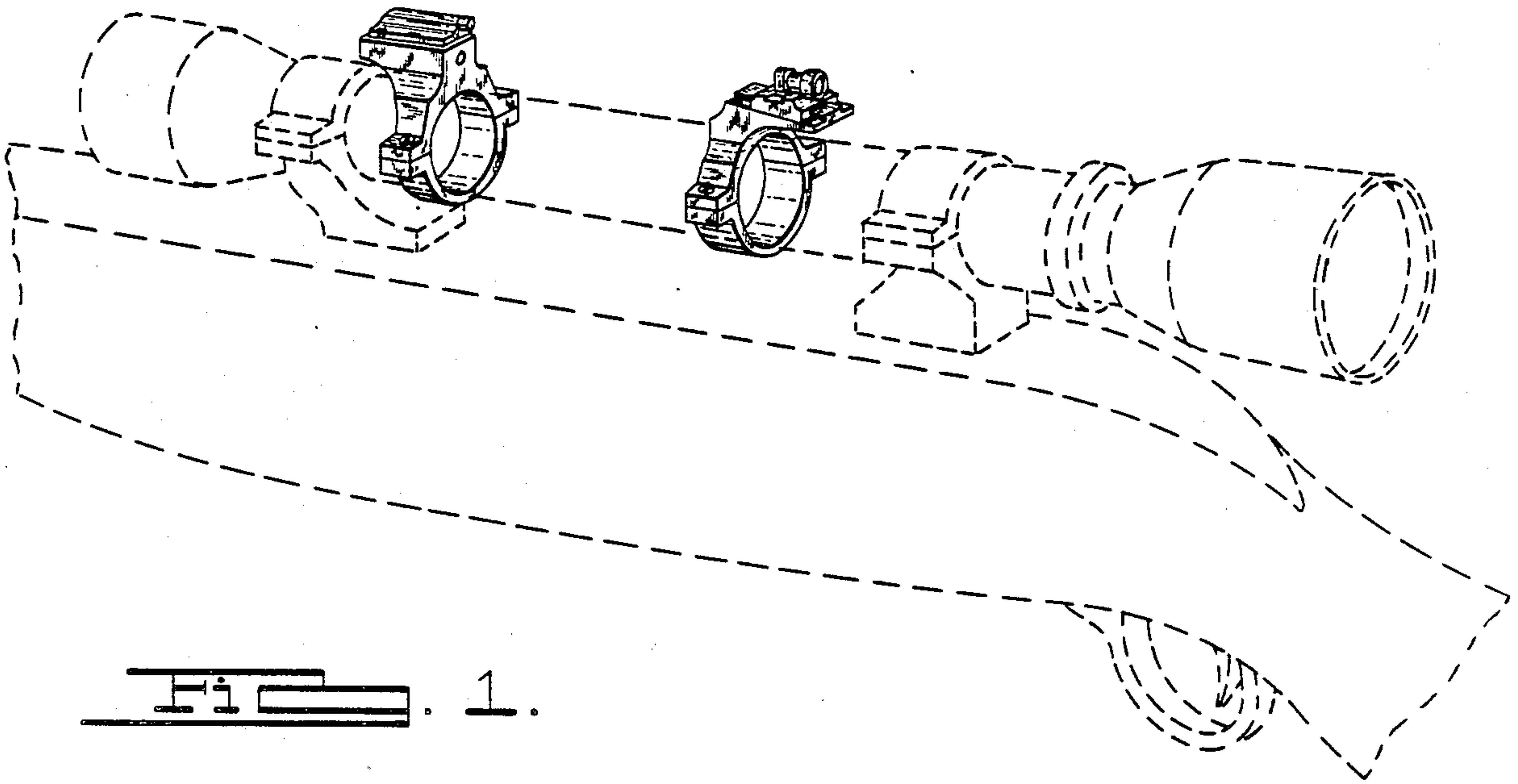


Fig. 3. 3.

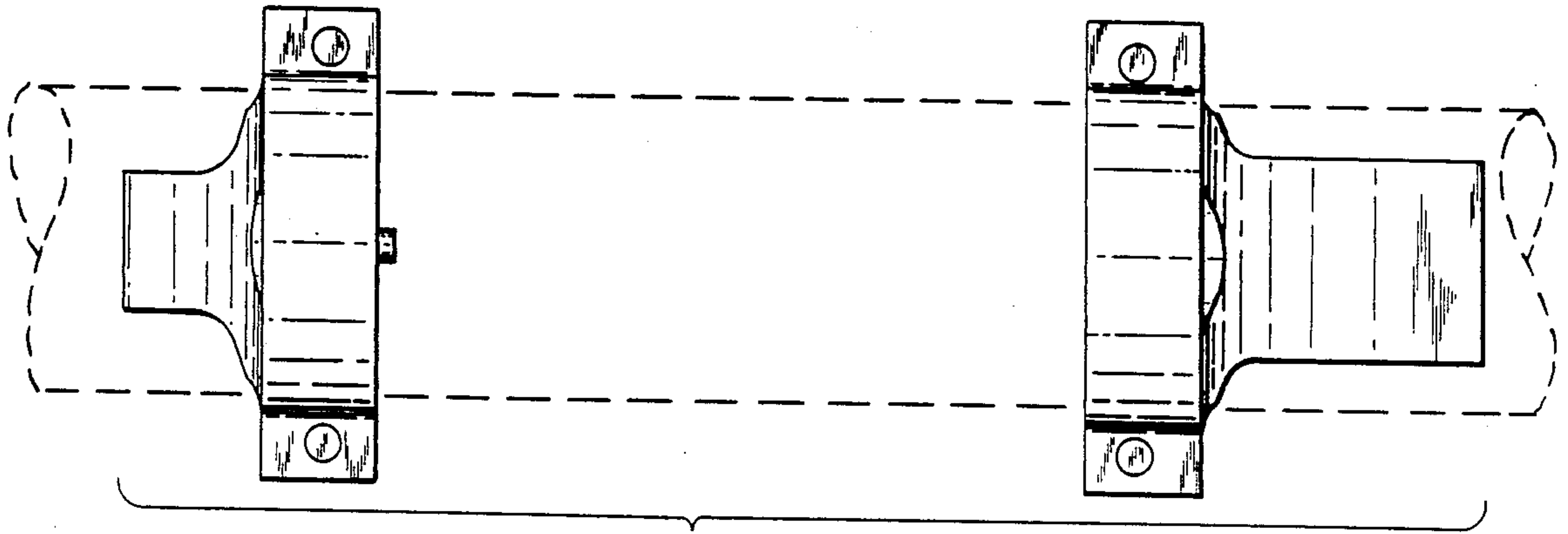


FIG. 4.

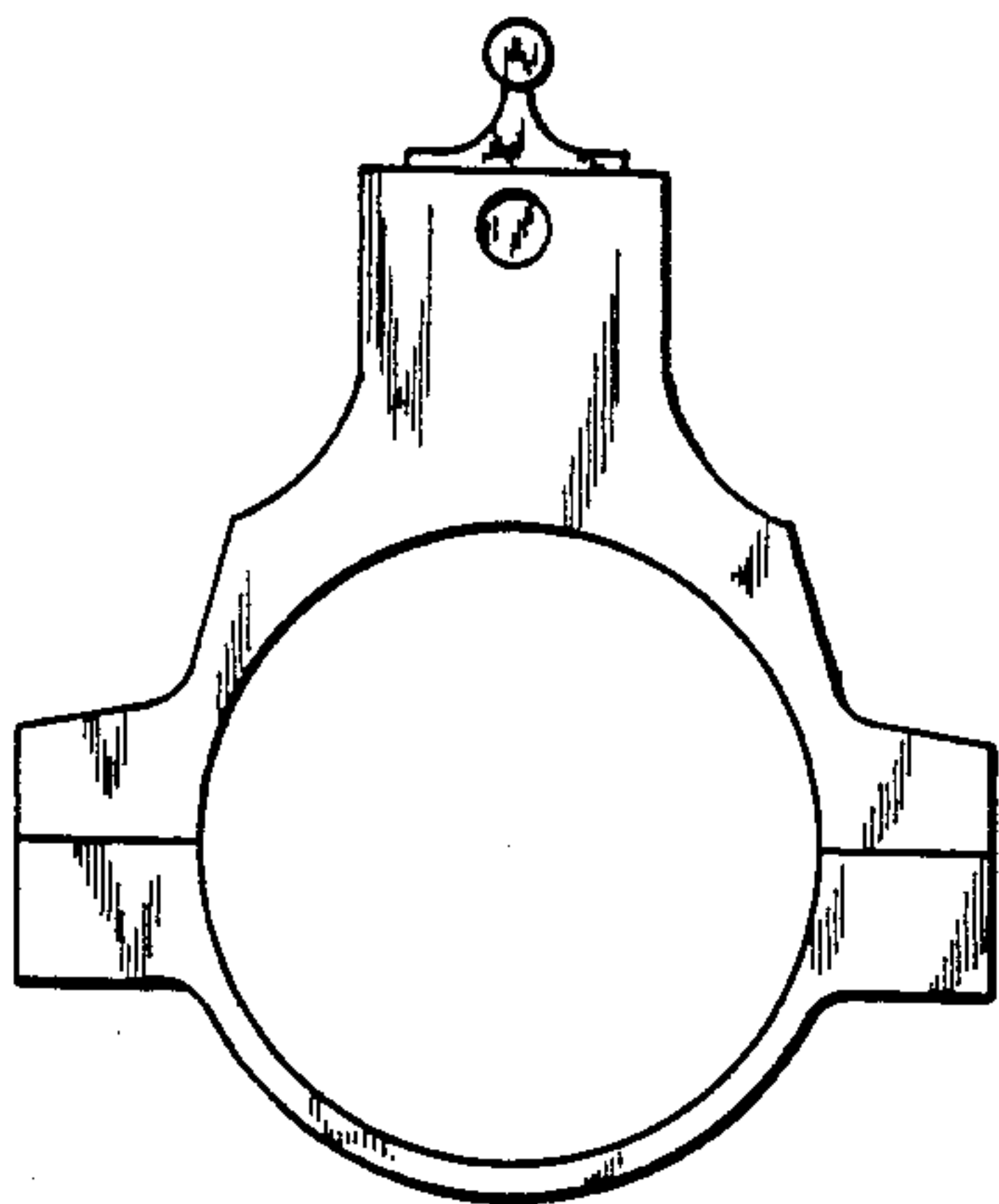


FIG. 5.

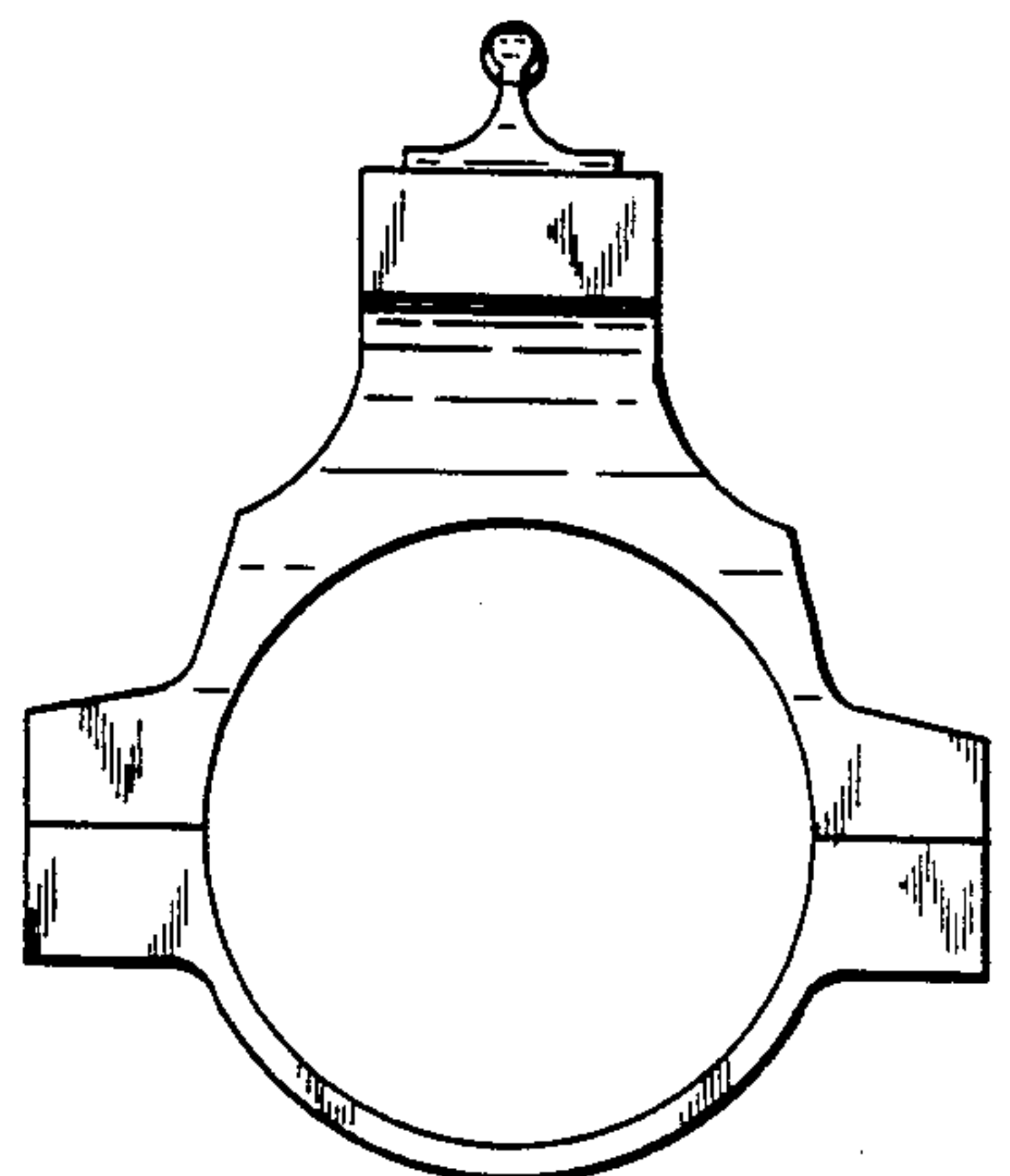


FIG. 6.

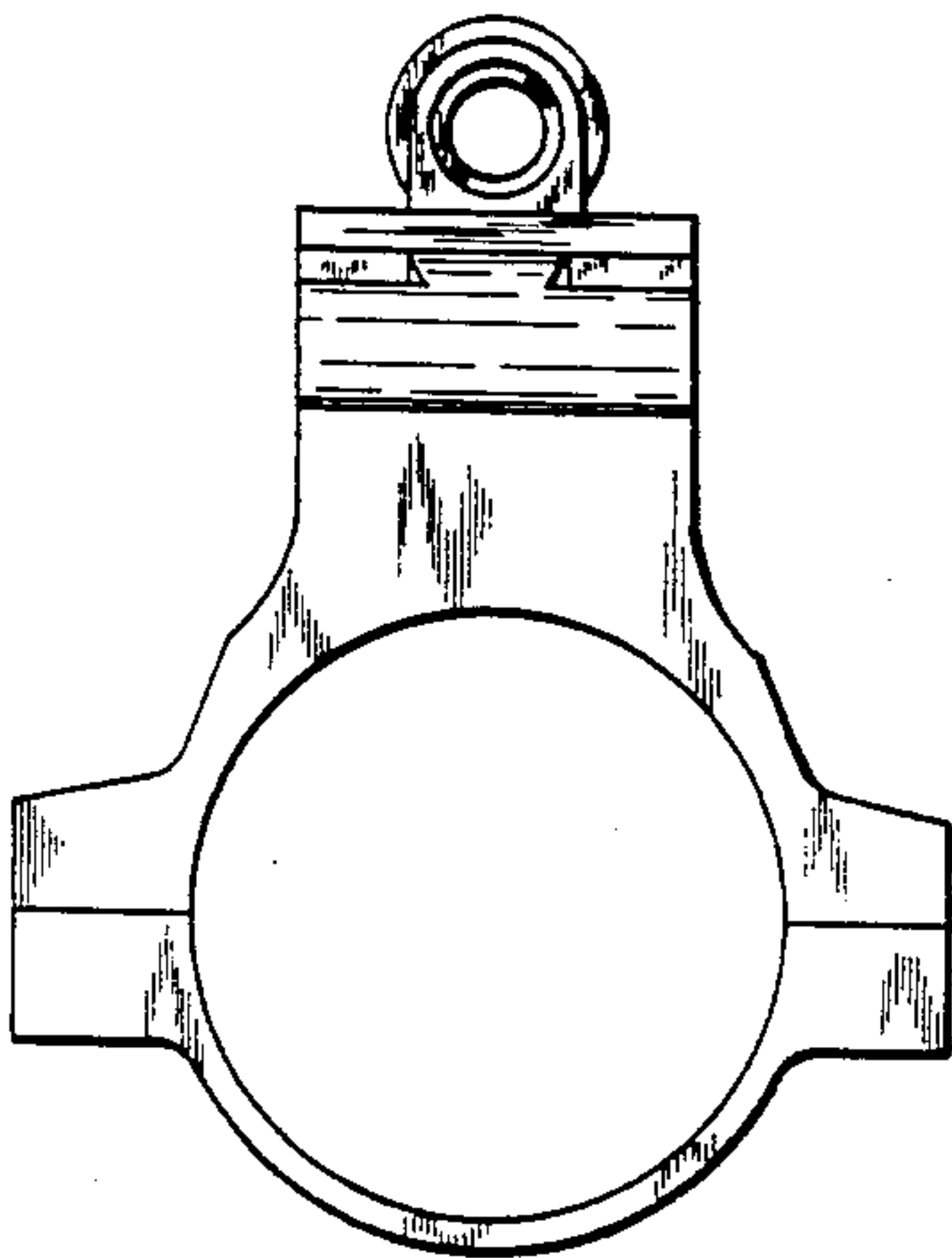


FIG. 7.

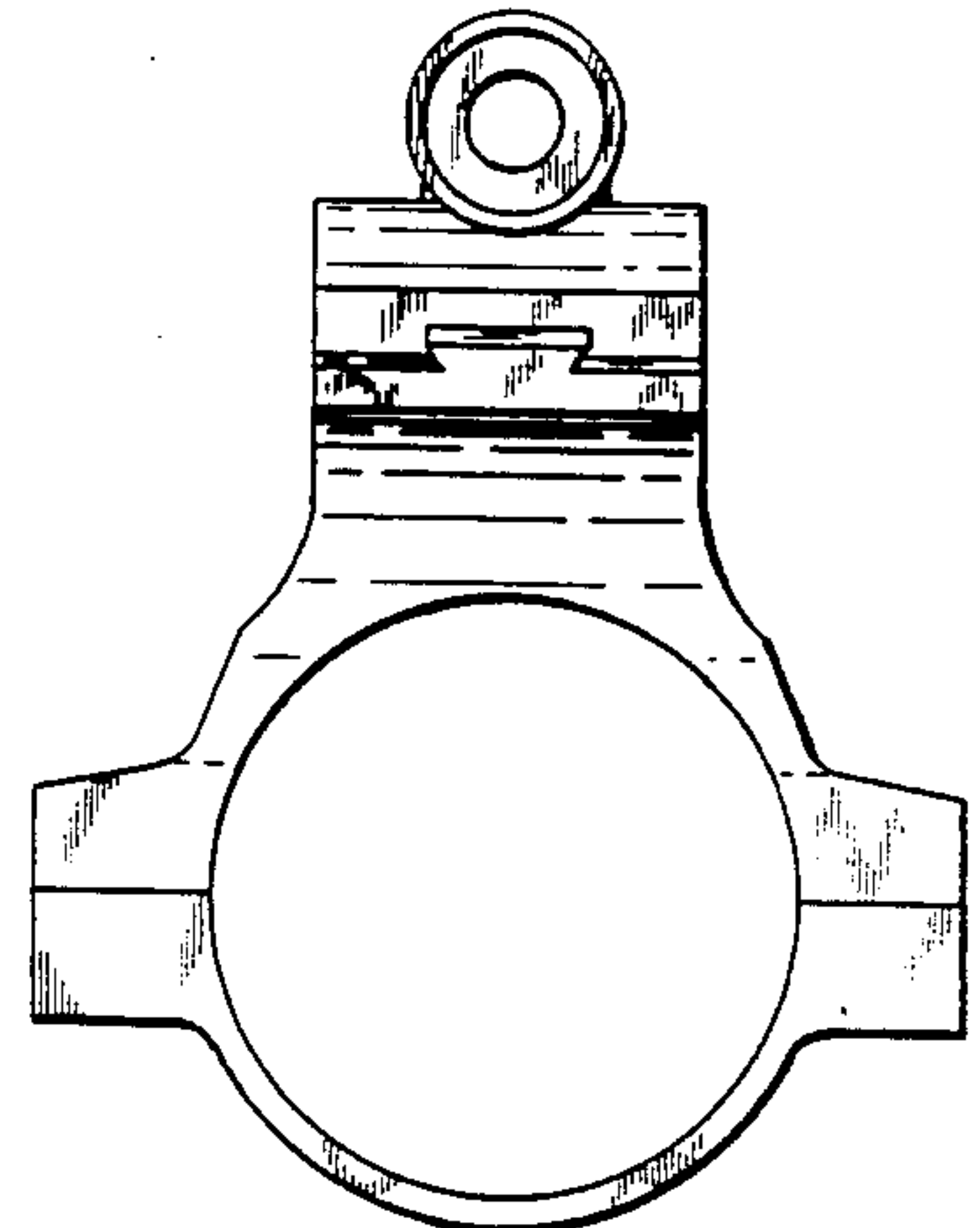


FIG. 8.