

[54] **MERRY-GO-ROUND**
 [76] **Inventor: Seth H. McCombs, West Grant St.,
 Rushville, Ill. 62681**
 [**] **Term: 14 Years**
 [21] **Appl. No.: 691,927**
 [22] **Filed: Jan. 16, 1985**
 [52] **U.S. Cl. D21/249**
 [58] **Field of Search D21/249; 272/33 R**

1,864,733	6/1932	Hoppes et al. .
1,864,734	6/1932	Hoppes .
1,896,796	2/1933	Lahay .
1,916,809	7/1933	Patterson .
1,925,324	9/1933	Humphrey .
2,119,988	6/1938	Gundrey .
2,646,281	7/1953	Hurst .
3,073,595	1/1963	Jones 272/33 R
3,172,659	3/1965	Daleiden .

[56] **References Cited**

U.S. PATENT DOCUMENTS

Re. 17,921	1/1931	Watts .
D. 174,295	3/1955	Sneed .
1,267,931	5/1918	Tanabe .
1,654,231	12/1927	Akers .
1,692,106	11/1928	Akers .
1,720,397	7/1929	Hainke .
1,726,262	8/1929	Dowers .
1,733,005	10/1929	Clayton .
1,736,678	11/1929	Thornton .
1,737,066	11/1929	Thornton .
1,739,725	12/1929	Lamar .
1,744,617	1/1930	Davis .
1,755,940	4/1930	Watts .
1,812,946	7/1931	Grubb .
1,826,468	10/1931	Hoppes .
1,839,509	1/1932	Swader .
1,860,194	5/1932	Maloney .

OTHER PUBLICATIONS

The T. E. Burke Co. Cat., 1963, p. 19, Extra Heavy-Duty Merry-Go-Round, bottom left.
 Game-Time Cat., 1966, p. 19, Merry-Go-Round.

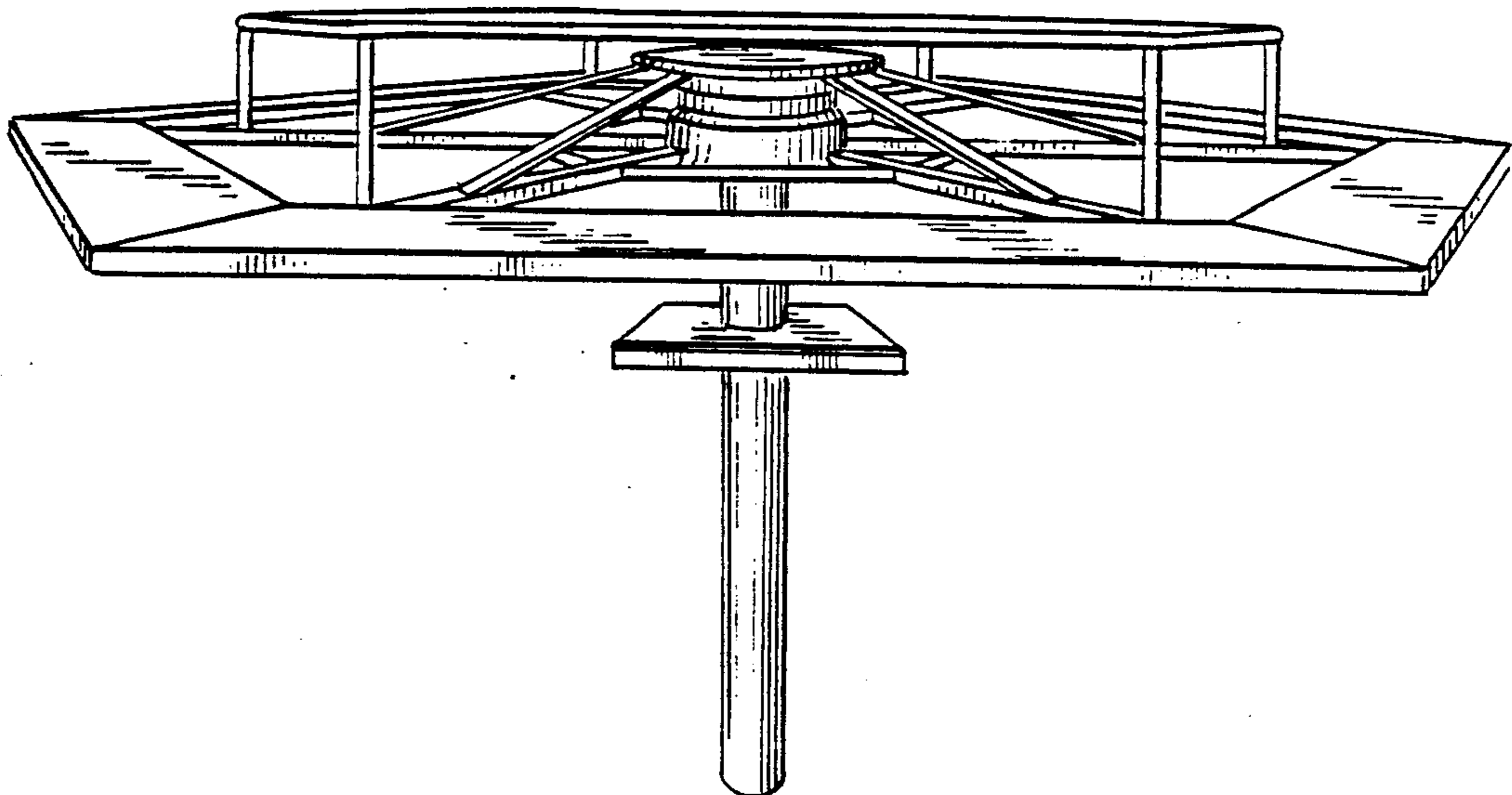
Primary Examiner—Melvin B. Feifer
Attorney, Agent, or Firm—Marshall, O'Toole, Gerstein, Murray & Bicknell

[57] **CLAIM**

The ornamental design for a merry-go-round, substantially as shown and described.

DESCRIPTION

FIG. 1 is a perspective view of a merry-go-round showing my new design;
 FIG. 2 is a fragmentary side elevational view of the axial portion thereof with the remaining portions of my design omitted for ease of illustration;
 FIG. 3 is a top plan view thereof; and
 FIG. 4 is a side elevational view thereof.



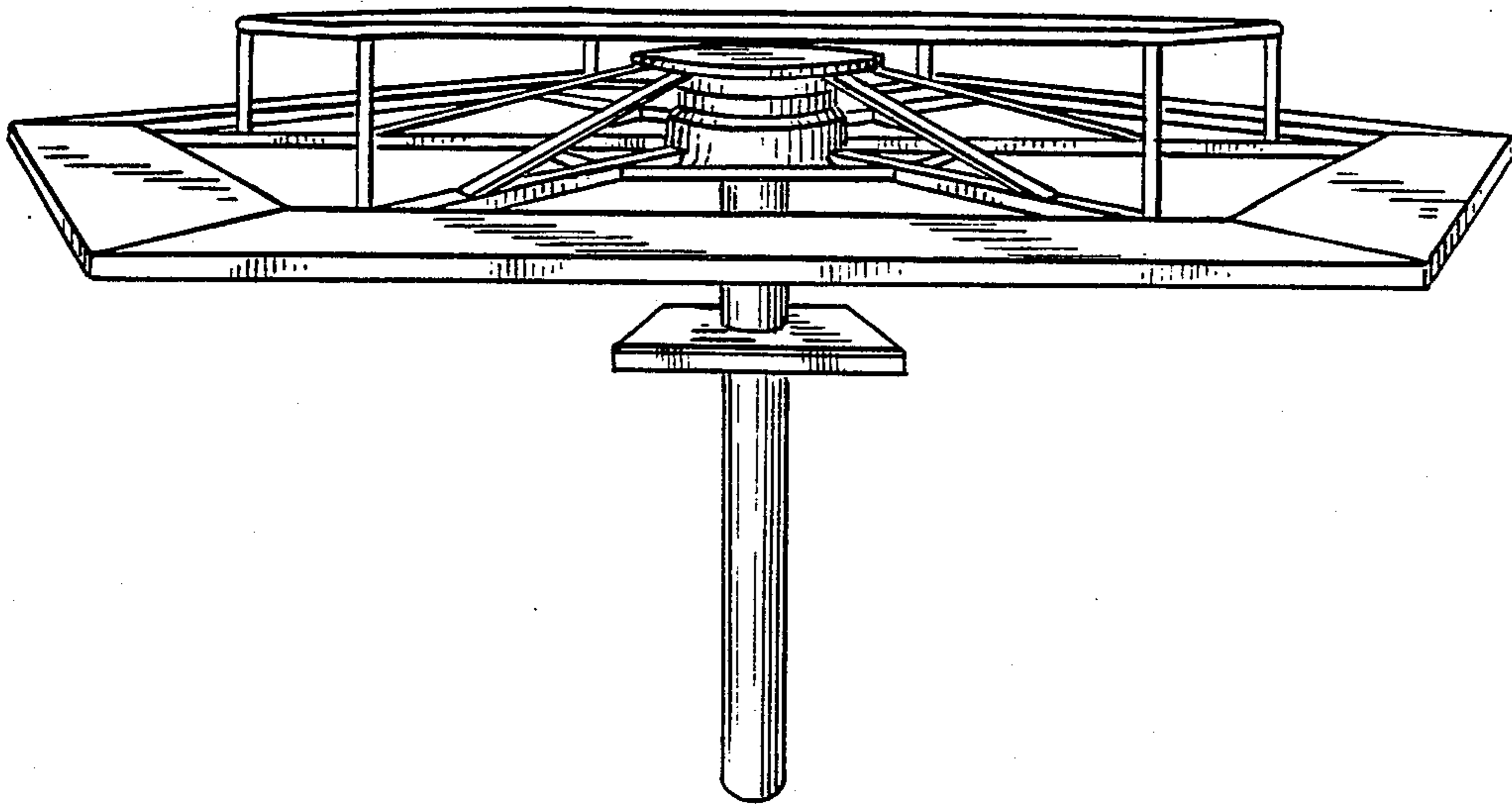


FIG. 1

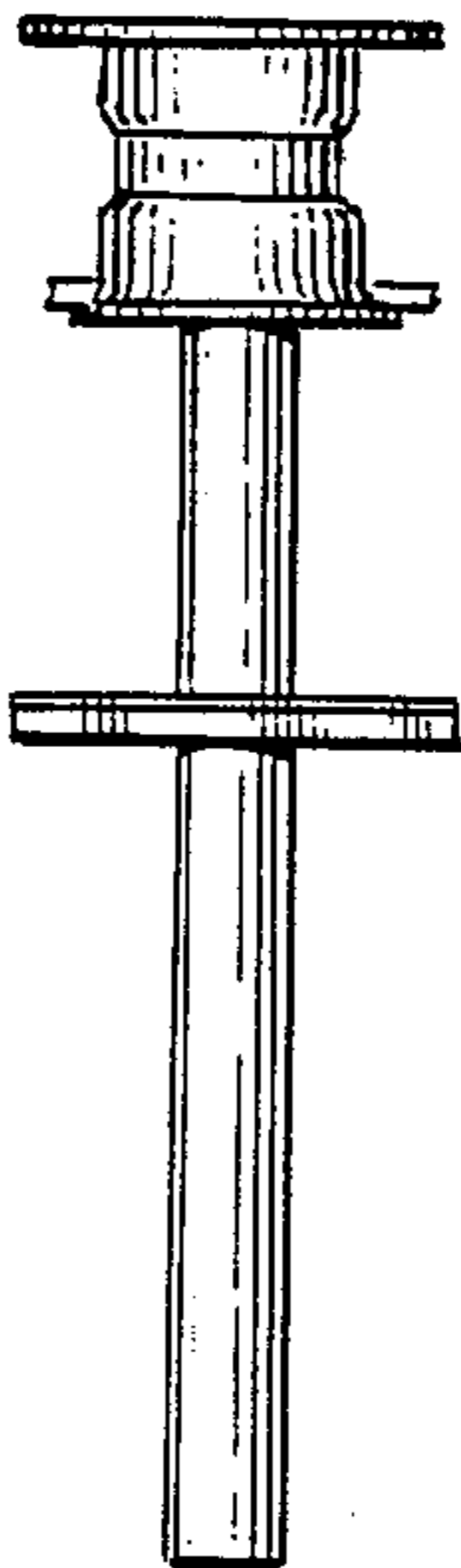


FIG. 2

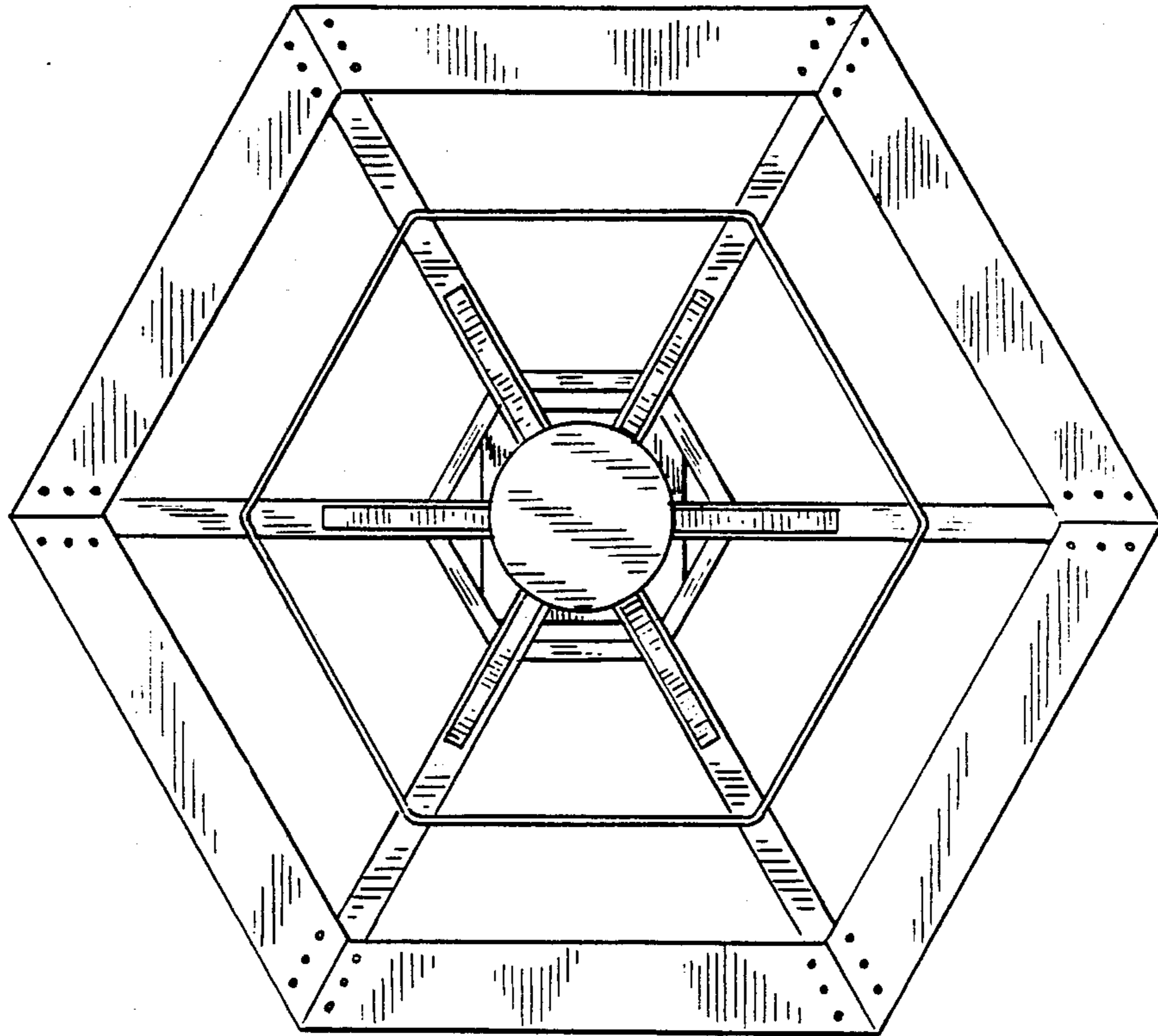


FIG. 3

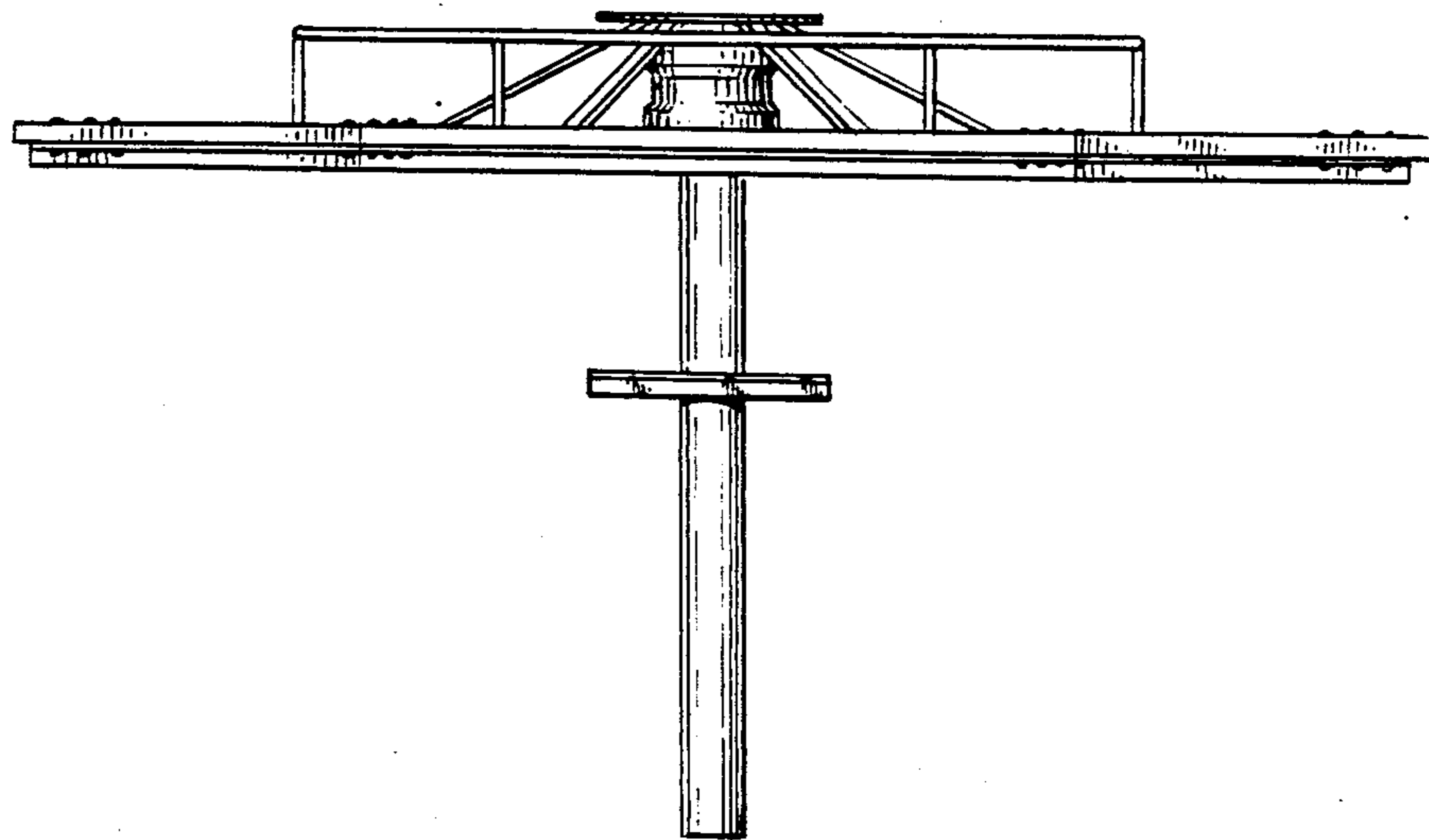


FIG. 4