

[54] **TOY BENCH WITH VISE**

[75] **Inventor: M. Allyson Smith, East Aurora, N.Y.**

[73] **Assignee: The Quaker Oats Company, Chicago, Ill.**

[**] **Term: 14 Years**

[21] **Appl. No.: 794,065**

[22] **Filed: Nov. 1, 1985**

[52] **U.S. Cl. D21/121**

[58] **Field of Search D21/59, 109, 121, 123; 446/476, 477, 144, 145, 479; D19/62, 63**

[56] **References Cited**

U.S. PATENT DOCUMENTS

D. 267,571 1/1983 Riehm D21/121

D. 277,019 1/1985 Appel et al. D21/121

D. 282,218 1/1986 Catelli D21/121

D. 291,218 8/1987 Mariol D21/121

*Primary Examiner—Charles A. Rademaker
Attorney, Agent, or Firm—Cumpston & Shaw*

[57] **CLAIM**

The ornamental design for a toy bench with vise, substantially as shown.

DESCRIPTION

FIG. 1 is a front elevational view of a toy bench with vise showing my new design;

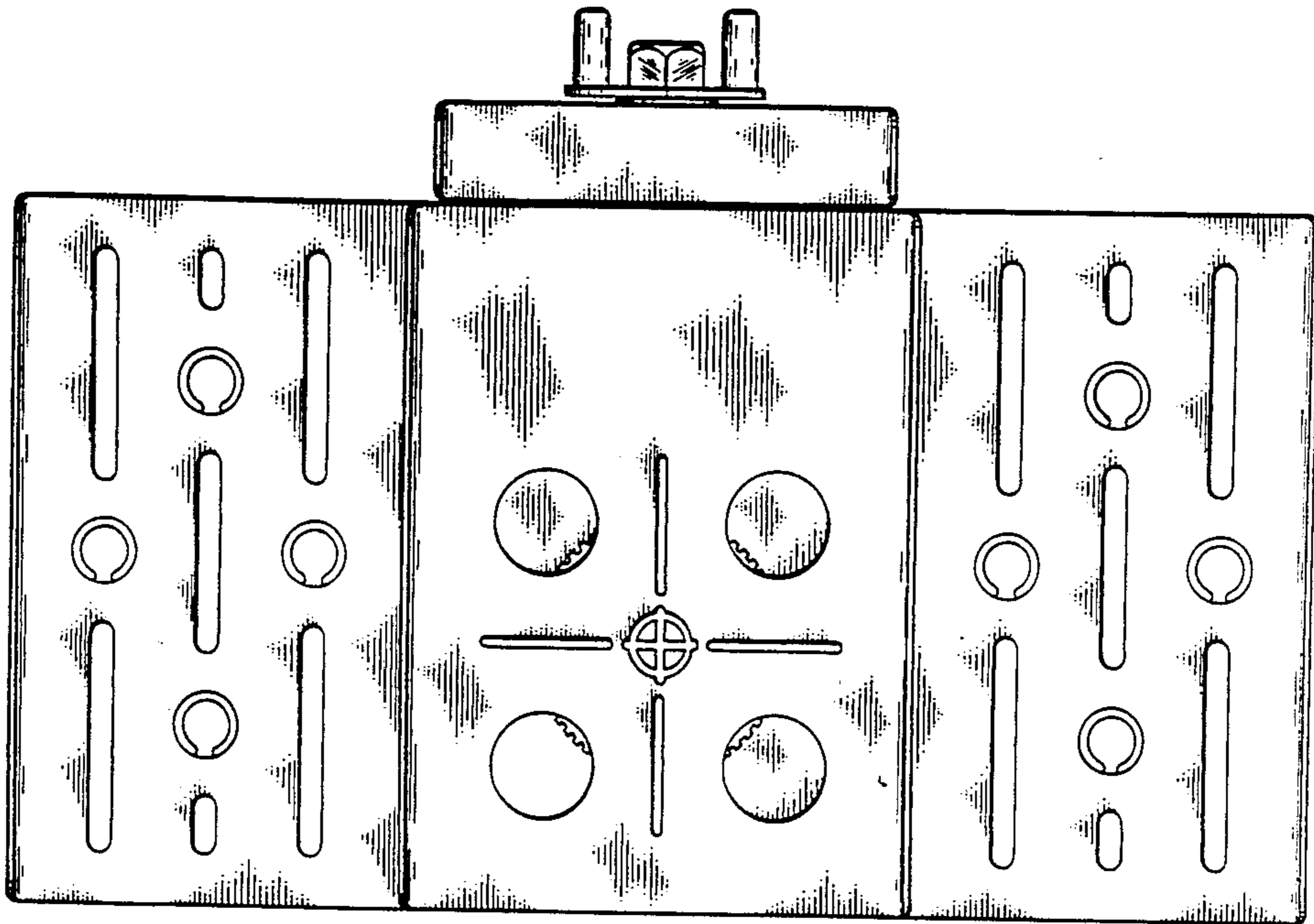
FIG. 2 is a right-side elevational view thereof;

FIG. 3 is a left-side elevational view thereof;

FIG. 4 is a top plan view thereof;

FIG. 5 is a rear elevational view thereof; and

FIG. 6 is a bottom plan view thereof.



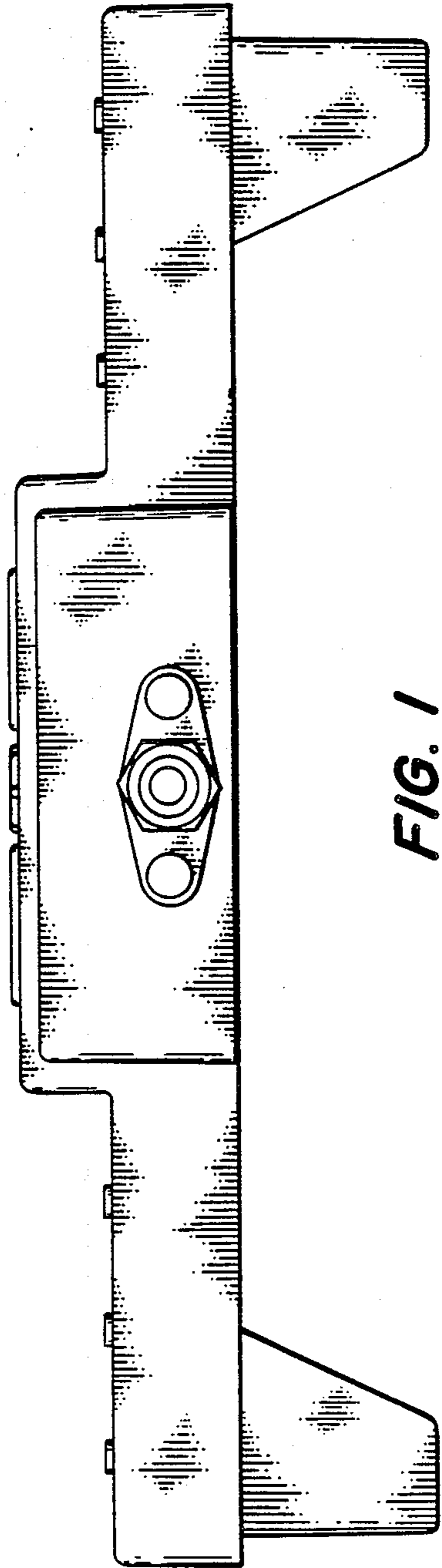


FIG. 1

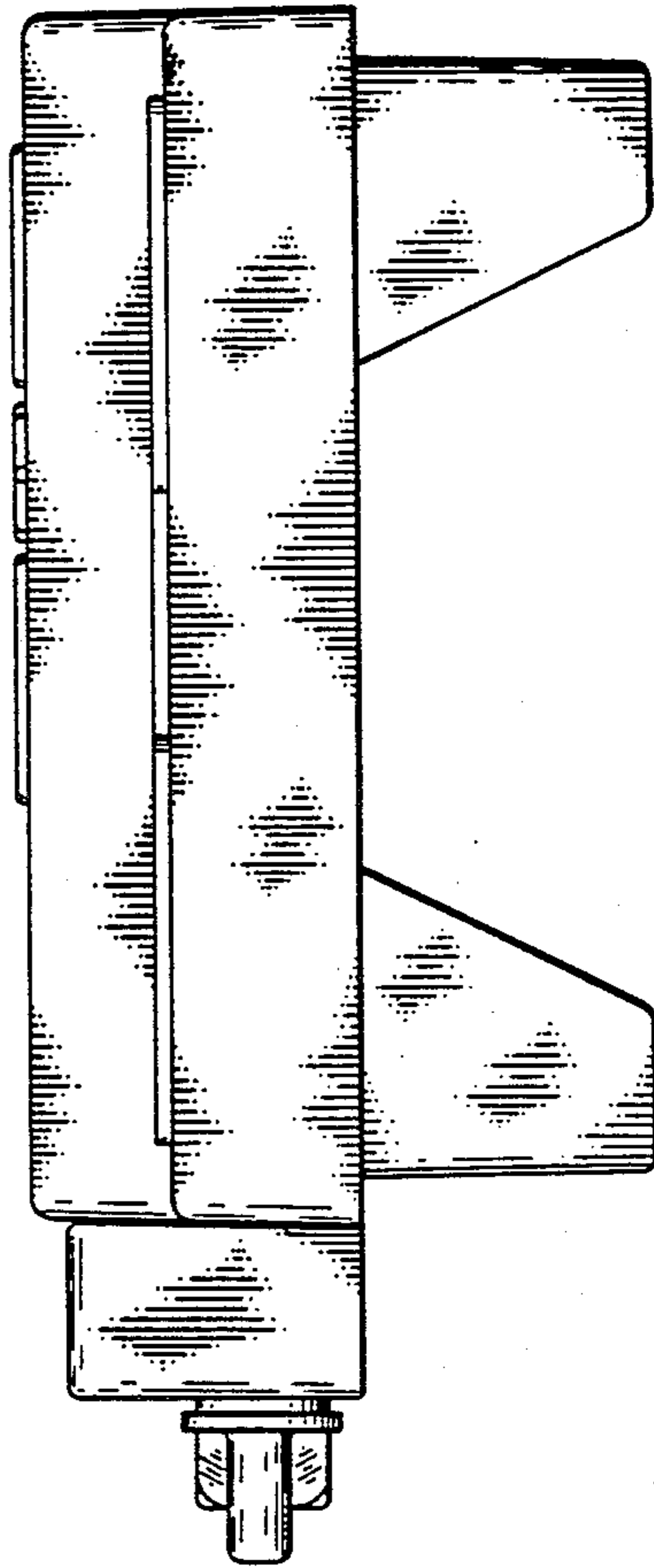


FIG. 2

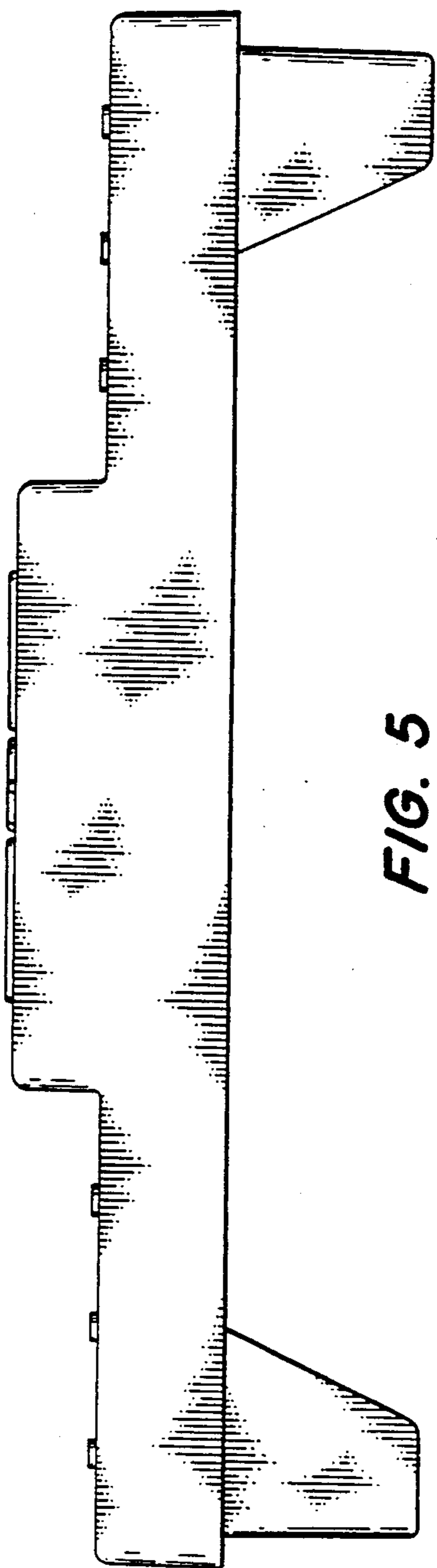


FIG. 5



FIG. 3

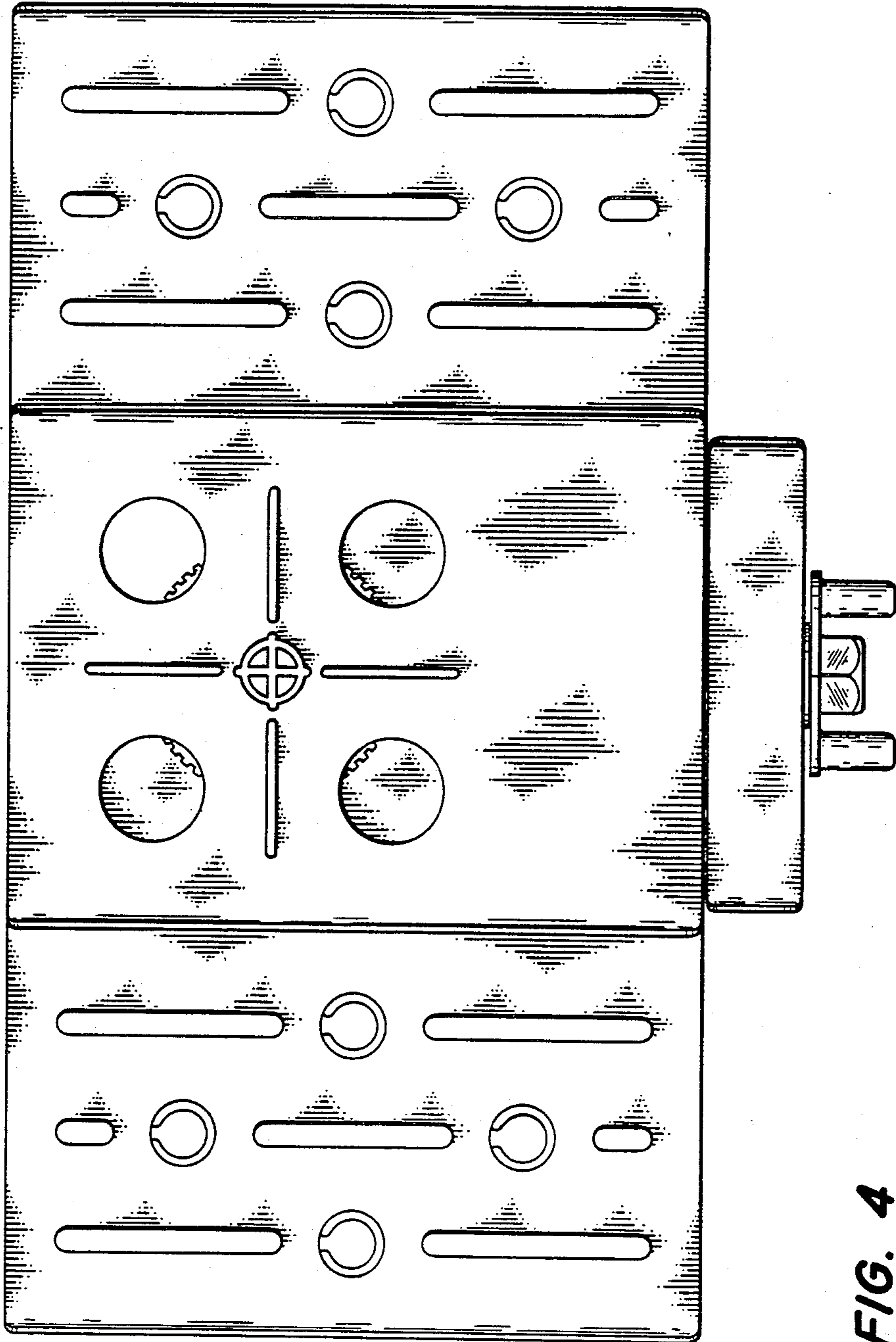


FIG. 4

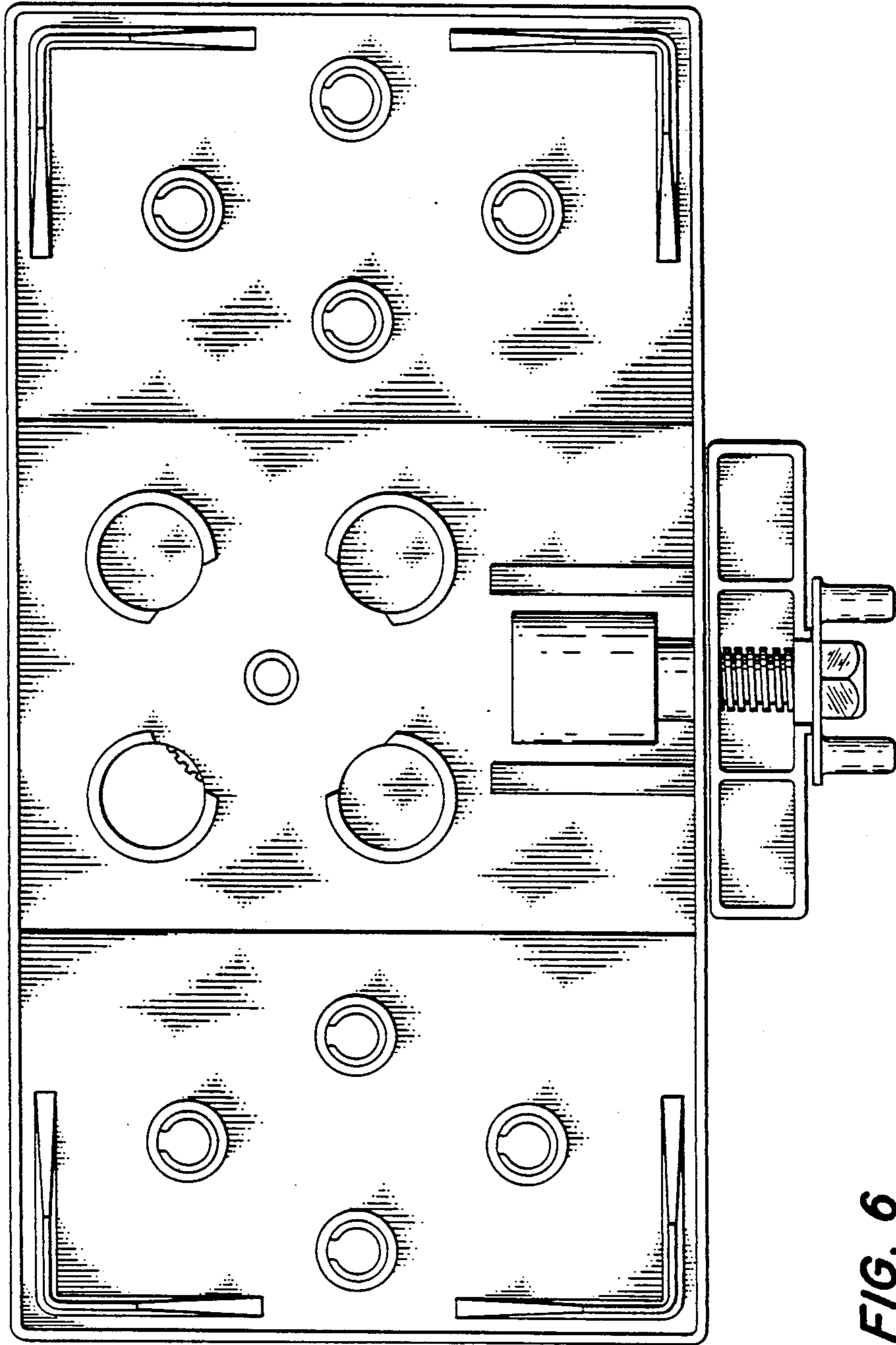


FIG. 6