

[54] **ICECREAM MAKER**
[75] **Inventor: Susumu Uesaka, Tokyo, Japan**
[73] **Assignee: Nippon Light Metal Company Limited, Japan**

1,791,041 2/1931 Sawyer D15/82
1,988,214 1/1935 Page 62/384
2,809,498 10/1957 Allen 62/342
3,780,536 12/1973 Fishman et al. 62/342
4,205,535 6/1980 Maurer 62/342
4,488,817 12/1984 Uesaka et al. D15/82

[*] **Notice:** The portion of the term of this patent subsequent to Oct. 2, 2000 has been disclaimed.

Primary Examiner—Wallace R. Burke
Assistant Examiner—Ruth Takemoto
Attorney, Agent, or Firm—Eric P. Schellin

[**] **Term: 14 Years**

[57] **CLAIM**

[21] **Appl. No.: 613,735**

The ornamental design for the icecream maker, as shown and described.

[22] **Filed: May 24, 1984**

[30] **Foreign Application Priority Data**

DESCRIPTION

Dec. 12, 1983 [JP] Japan 58-53326
[52] **U.S. Cl.** **D15/82**
[58] **Field of Search** **D15/79-82;**
D7/373-374, 376; 62/37, 135, 165, 168,
342-344, 371-372, 384-385, 388, 529-530

FIG. 1 is a perspective view of an ice cream maker showing my new design;
FIG. 2 is a side elevational view thereof;
FIG. 3 is a front elevational view thereof.
FIG. 4 is a rear elevational view thereof.
FIG. 5 is a top plan view thereof;
FIG. 6 is a bottom plan view thereof;
FIG. 7 is a sectional view looking in the direction of lines VII—VII in FIG. 5; and
FIG. 8 is an exploded view thereof.

[56] **References Cited**

U.S. PATENT DOCUMENTS

D. 142,680 10/1945 Swanson D7/371

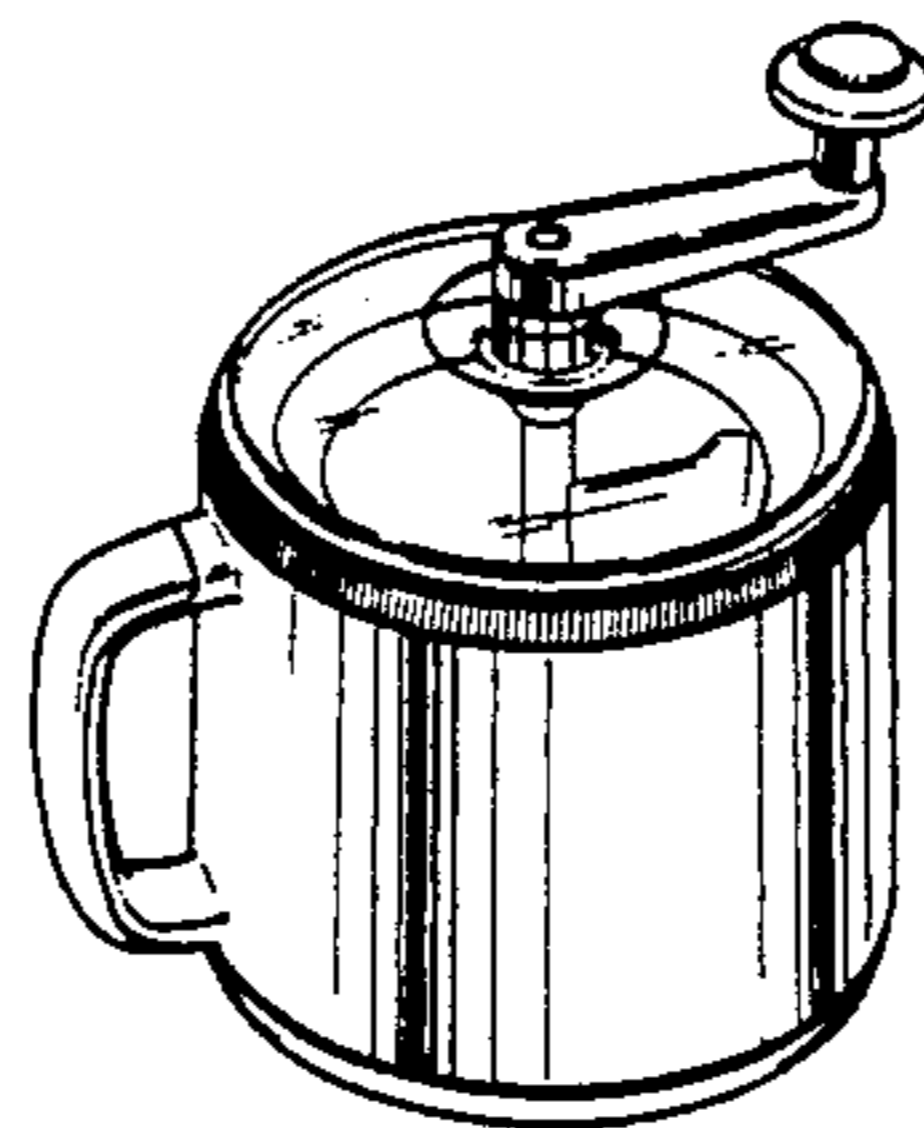


FIG.2

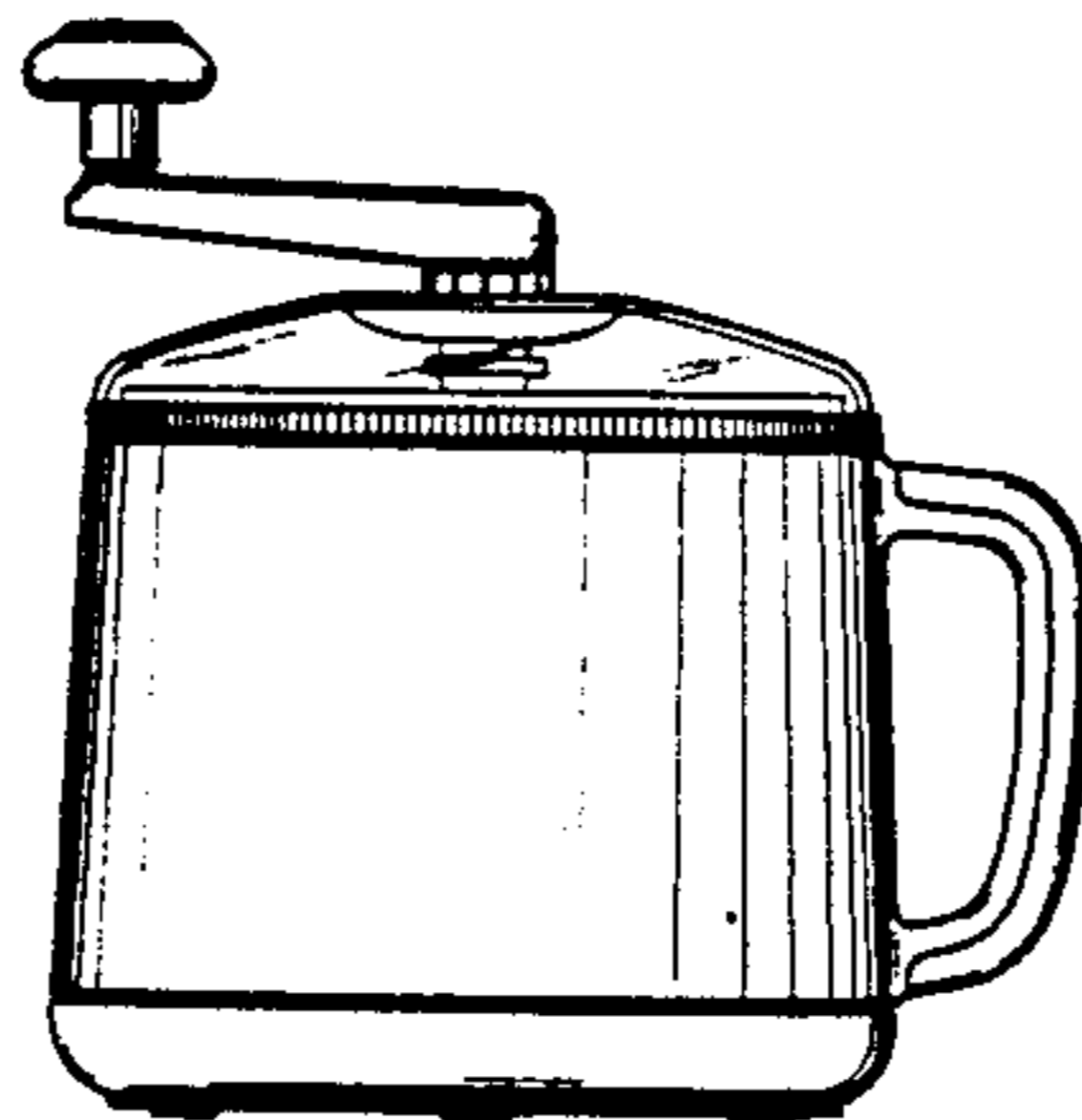


FIG. 1

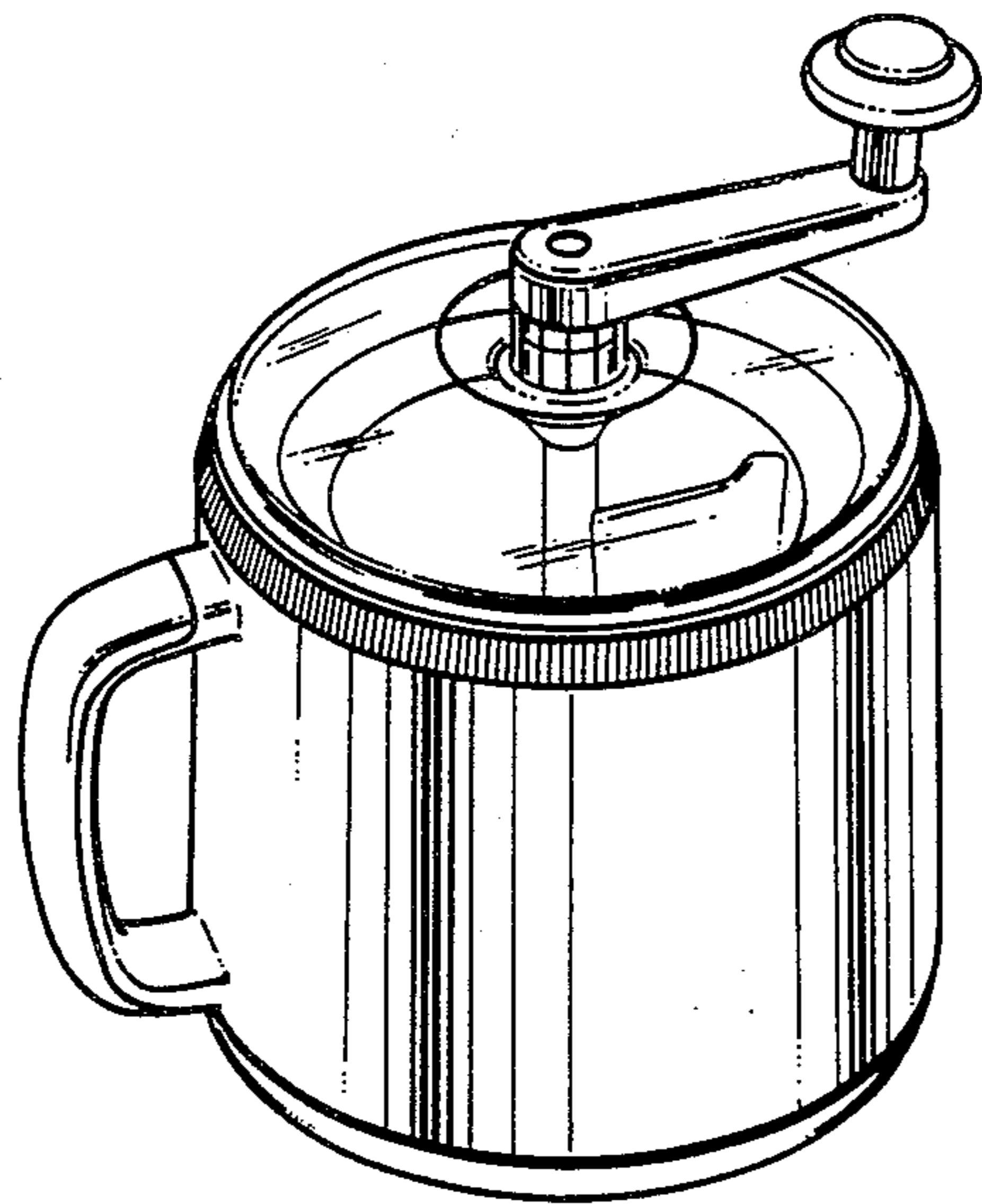


FIG. 2

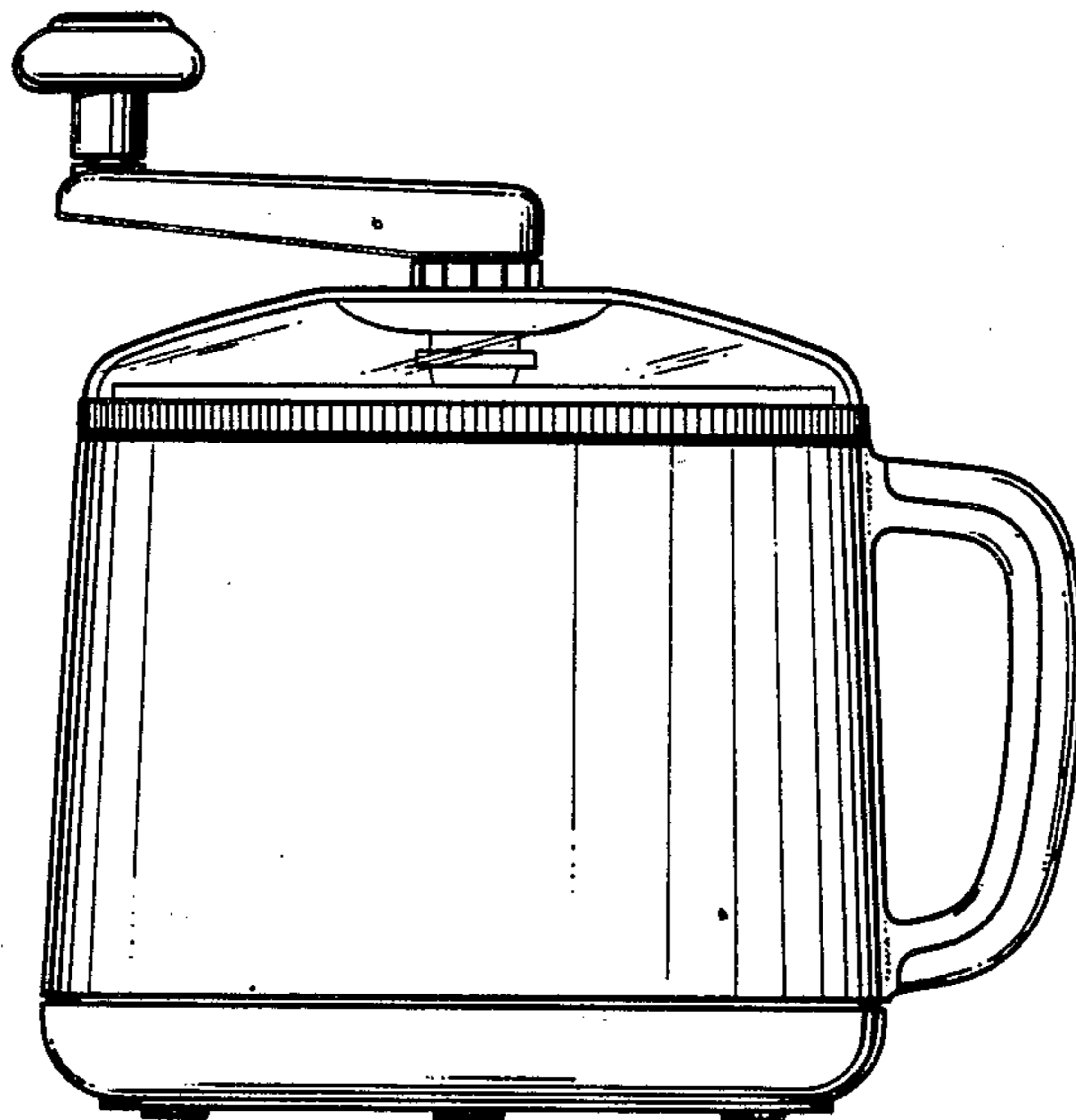


FIG.3

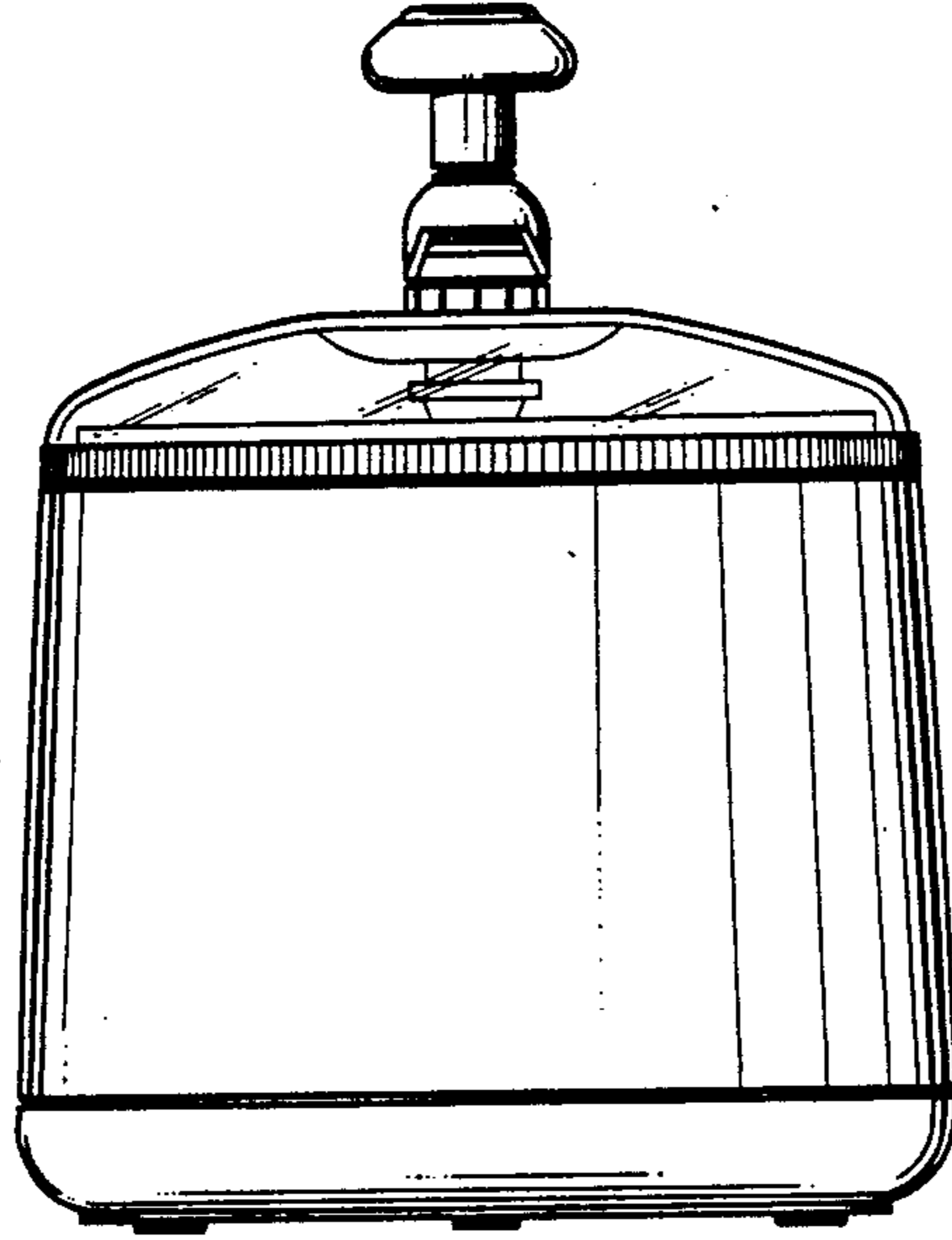


FIG.4

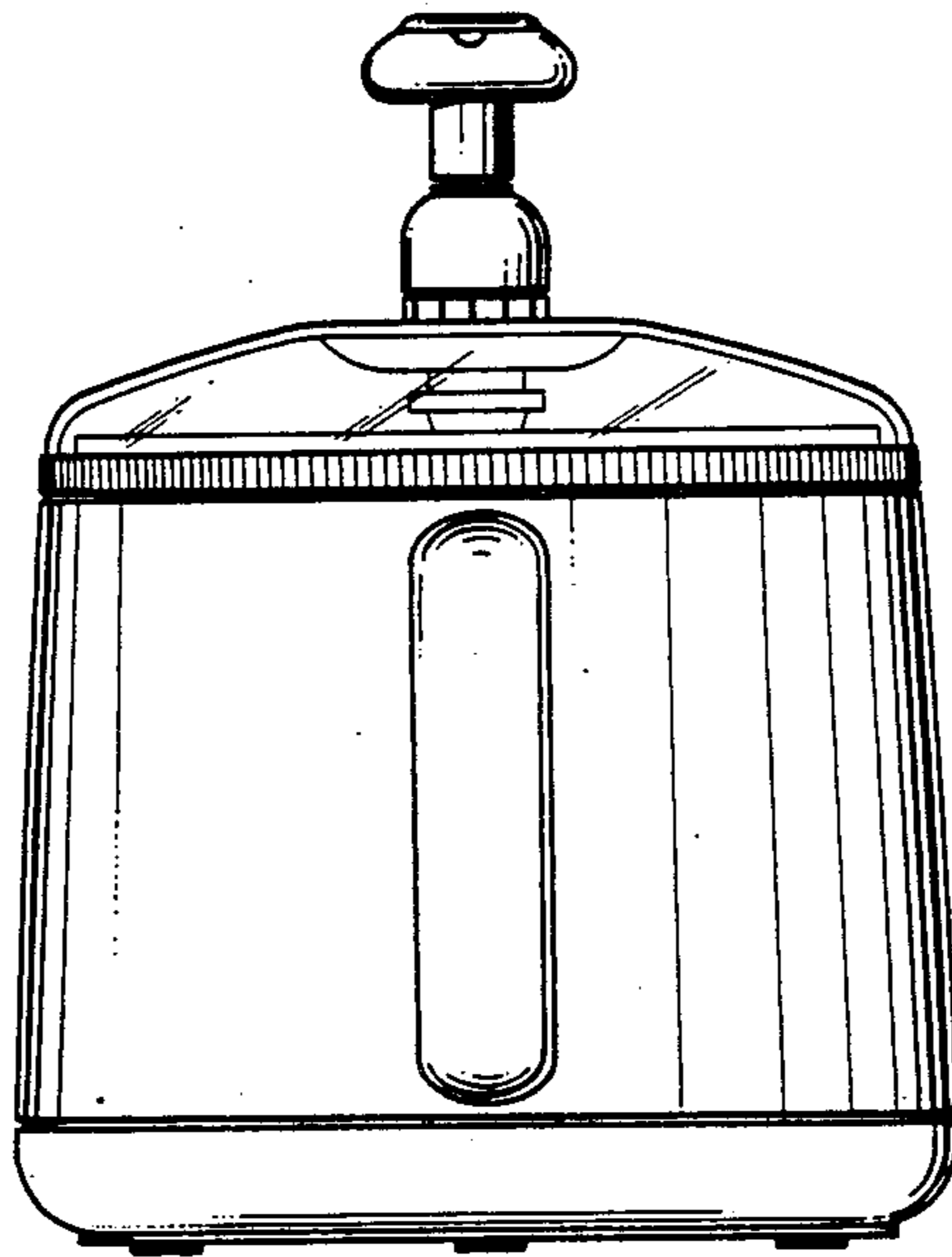


FIG. 5

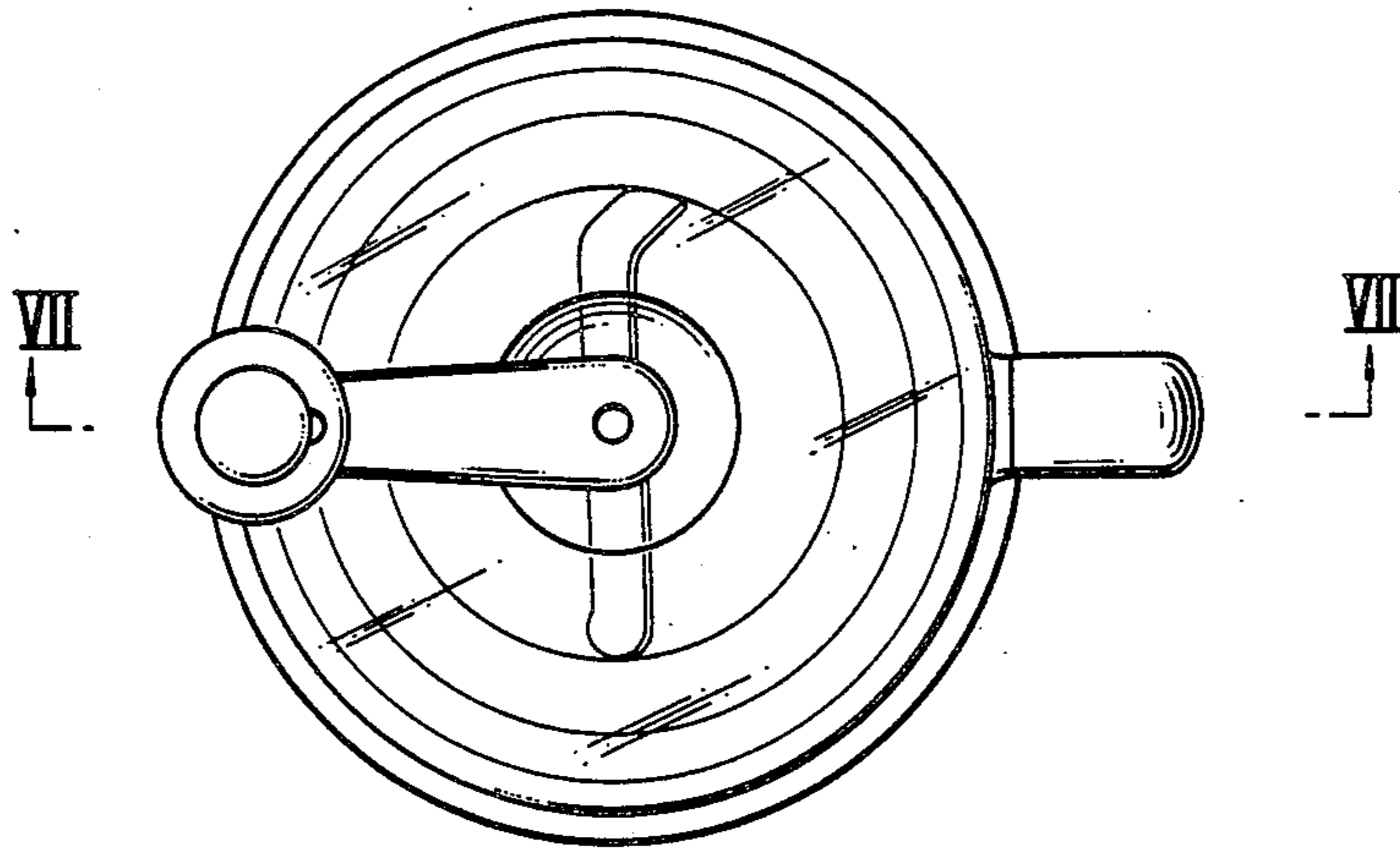


FIG. 6

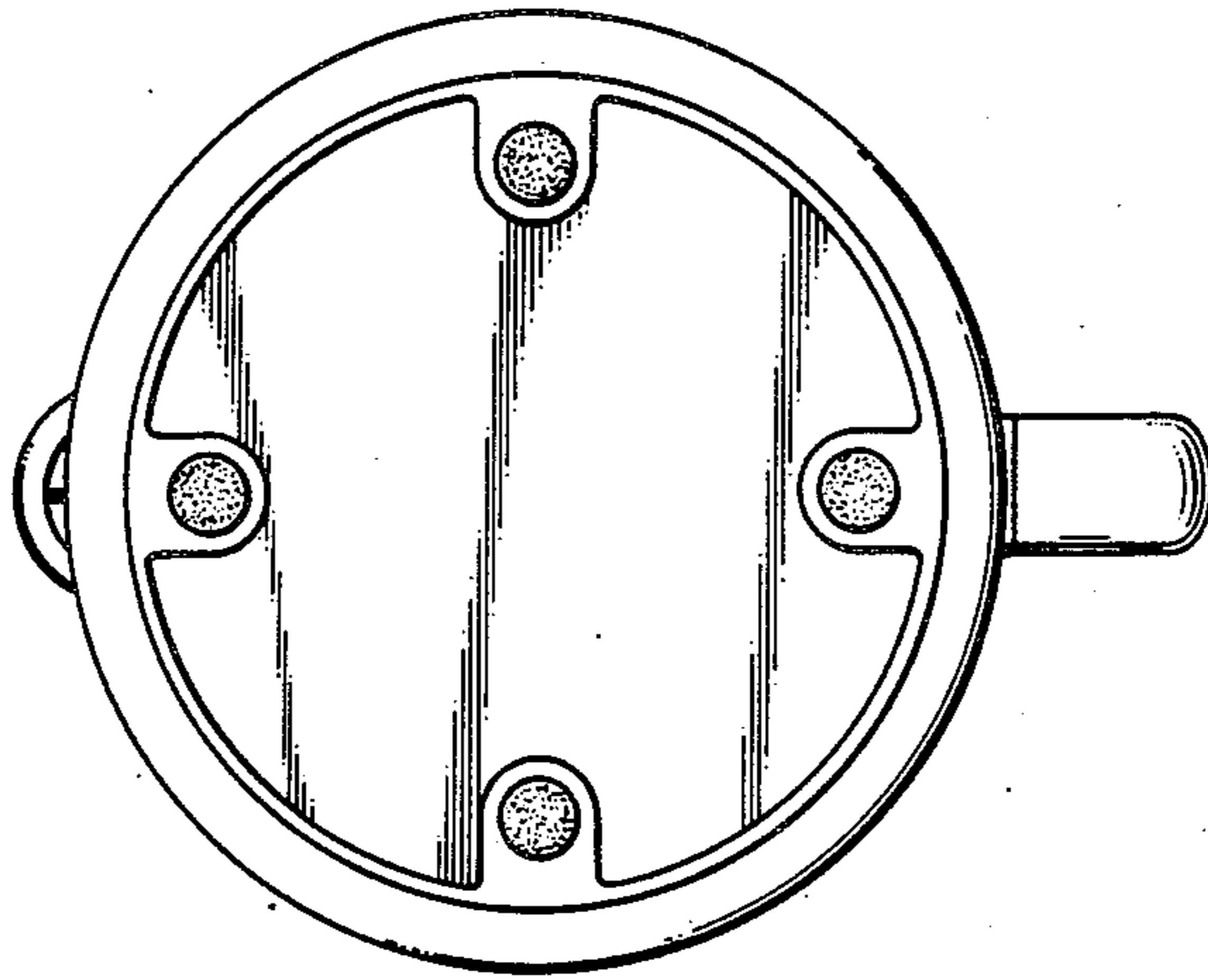


FIG. 7

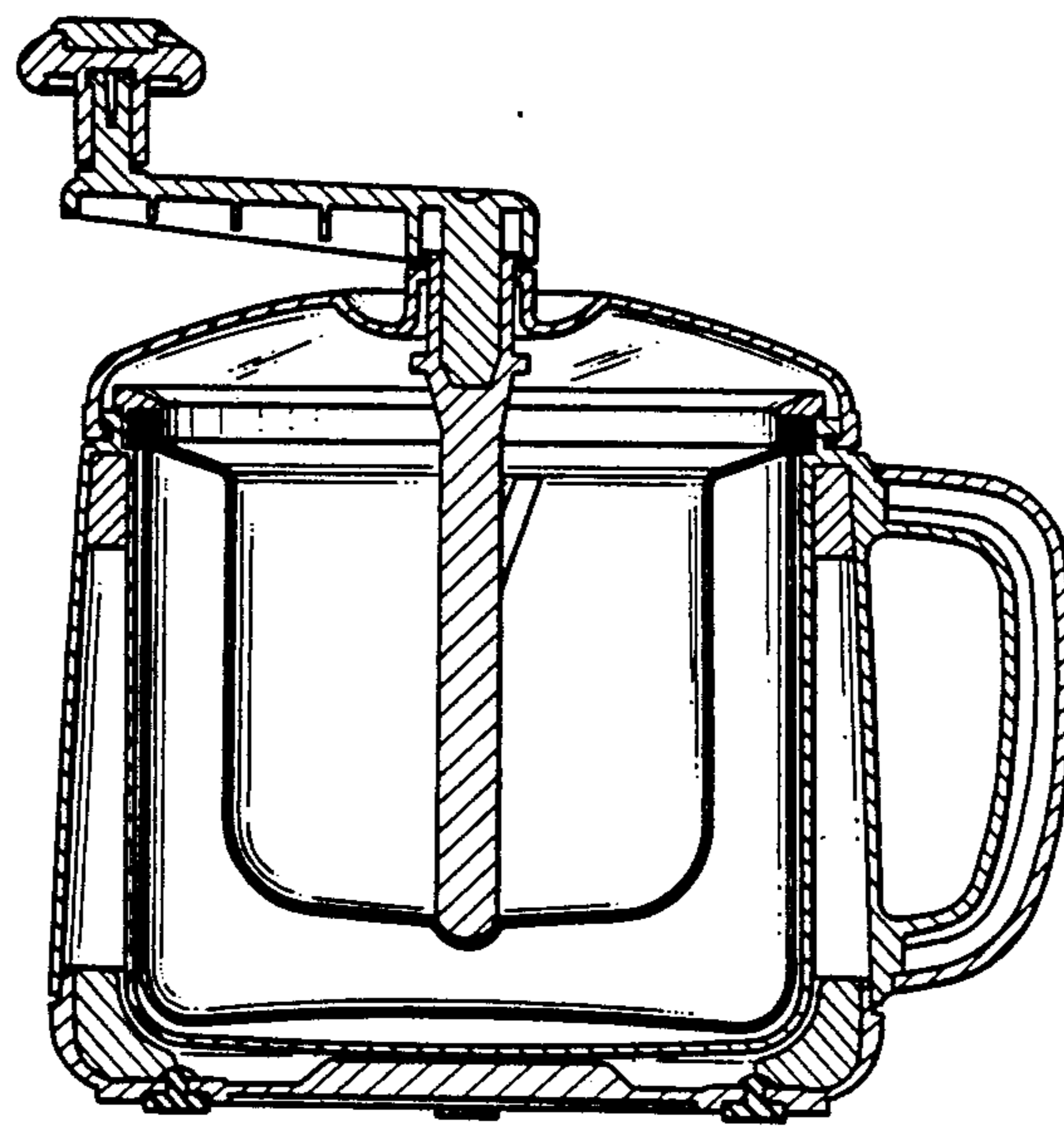


FIG. 8

