

[54] **AIR COMPRESSOR**

[75] **Inventor: Dennis V. Hefling, Wichita, Kans.**

[73] **Assignee: The Coleman Company, Inc.,
Wichita, Kans.**

[**] **Term: 14 Years**

[21] **Appl. No.: 927,429**

[22] **Filed: Nov. 5, 1986**

[52] **U.S. Cl. D15/9**

[58] **Field of Search D15/7, 9; 417/229, 234,
417/321, 410-411, 572**

[56] **References Cited**

U.S. PATENT DOCUMENTS

D. 91,804	3/1934	Cornelius et al.	D15/9
D. 149,207	4/1948	Peterson	D15/9
D. 179,746	2/1957	Sudmeier	D15/9
D. 271,203	11/1983	Schutt	D15/9

D. 273,958	5/1984	Mariol	D15/9
D. 274,433	6/1984	Boller	D15/7
D. 281,609	12/1985	Herbst	D15/9
D. 286,782	11/1986	Somers	D15/7
2,292,140	8/1942	Lofgren	248/65
4,067,526	1/1978	Storer	248/65

Primary Examiner—Wallace R. Burke

Assistant Examiner—Brian N. Vinson

[57] **CLAIM**

The ornamental design for an air compressor, as shown.

DESCRIPTION

FIG. 1 is a top perspective view of an air compressor showing my new design;

FIG. 2 is a top plan view thereof;

FIG. 3 is a front elevational view thereof;

FIG. 4 is a left side elevational view thereof;

FIG. 5 is a right side view thereof; and,

FIG. 6 is a rear elevational view thereof.

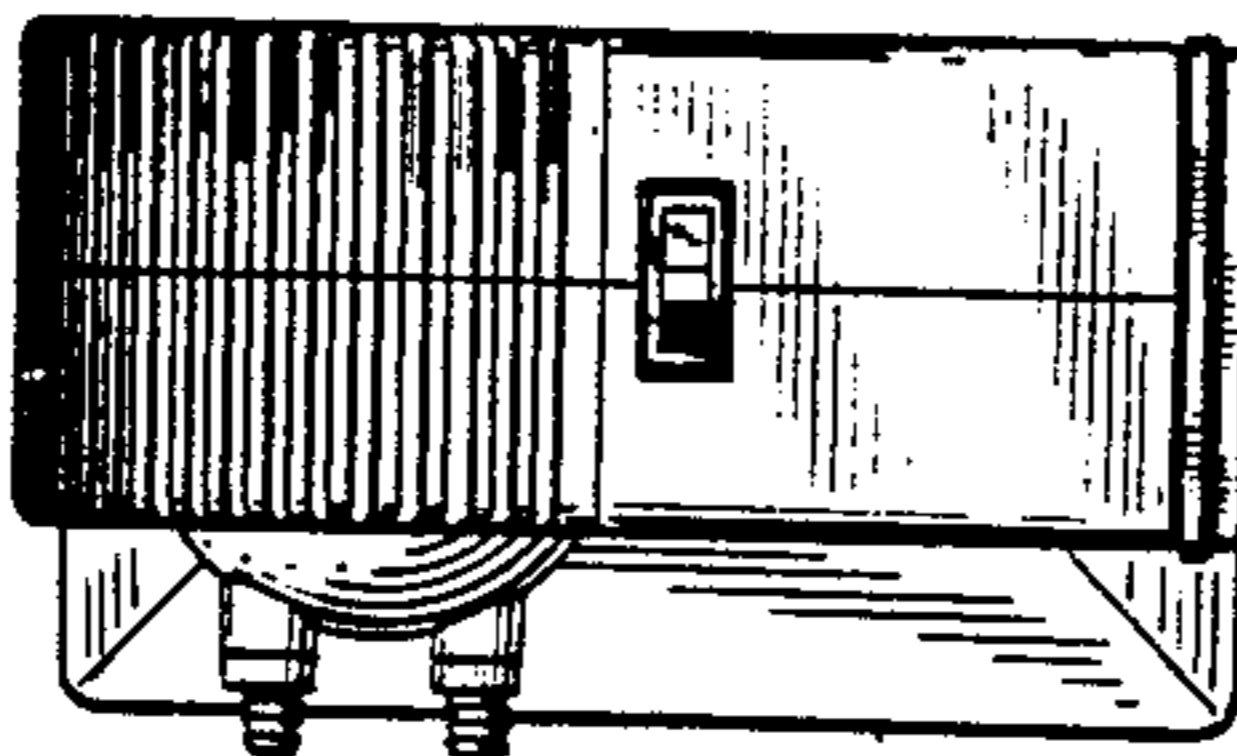
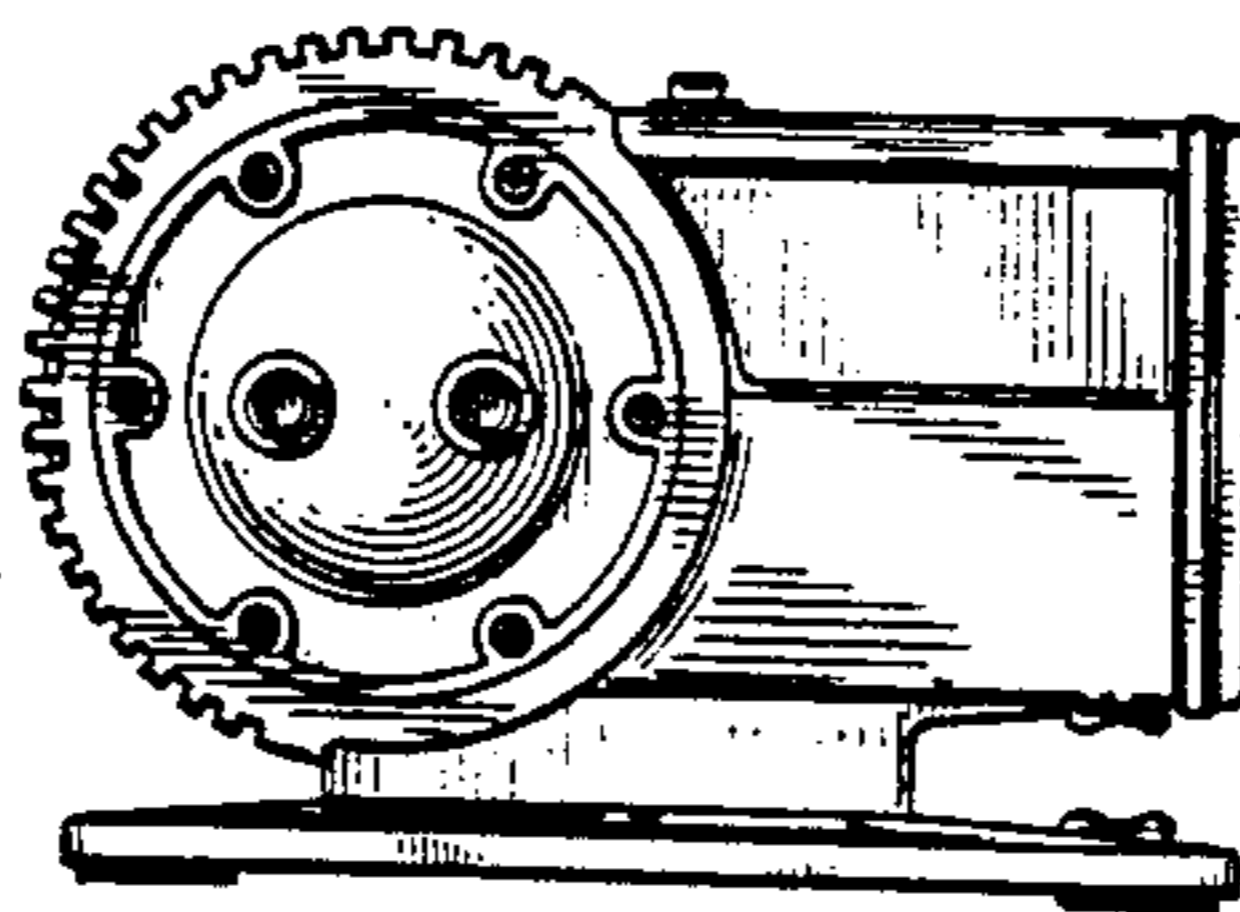


FIG. 2



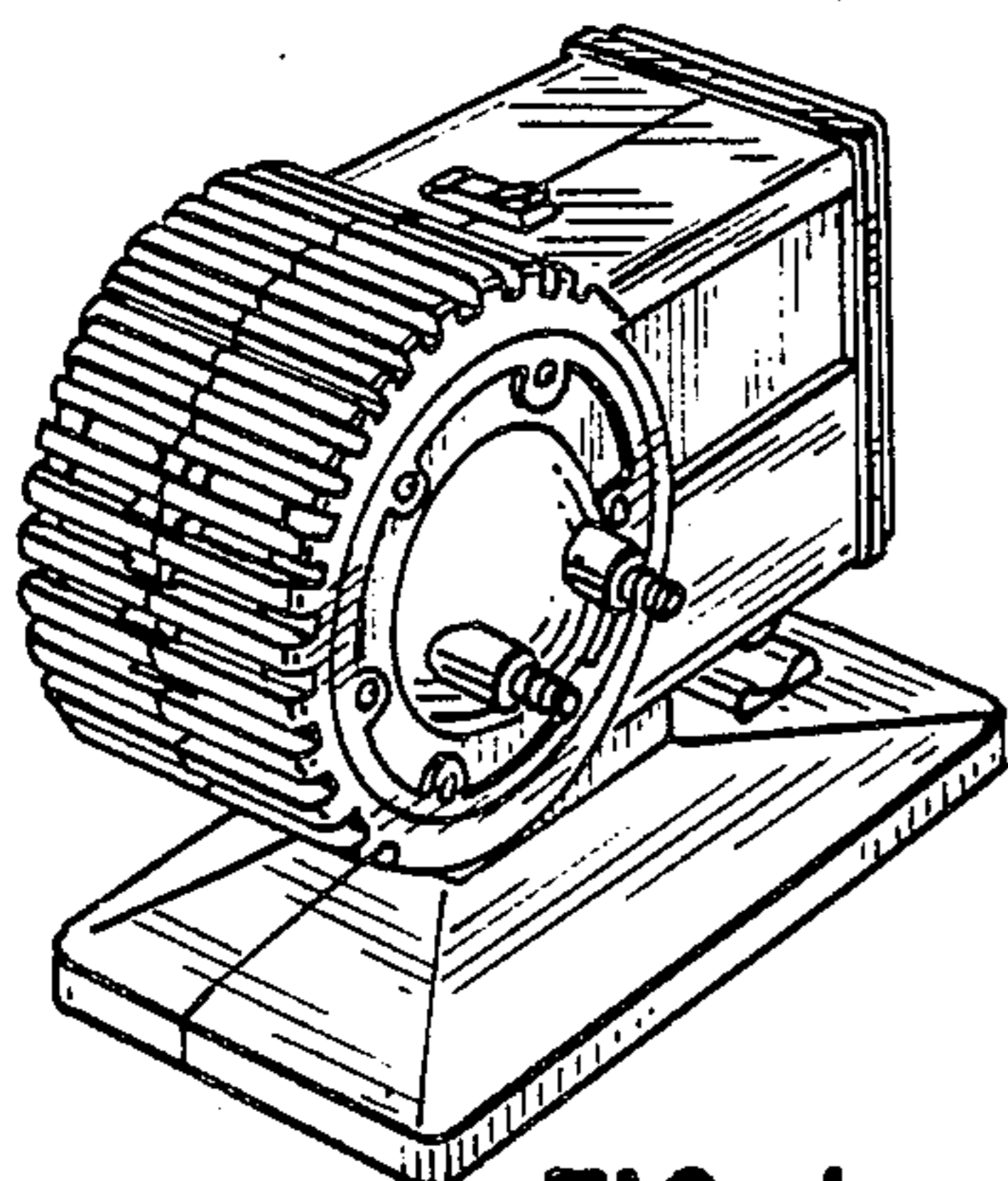


FIG. 1

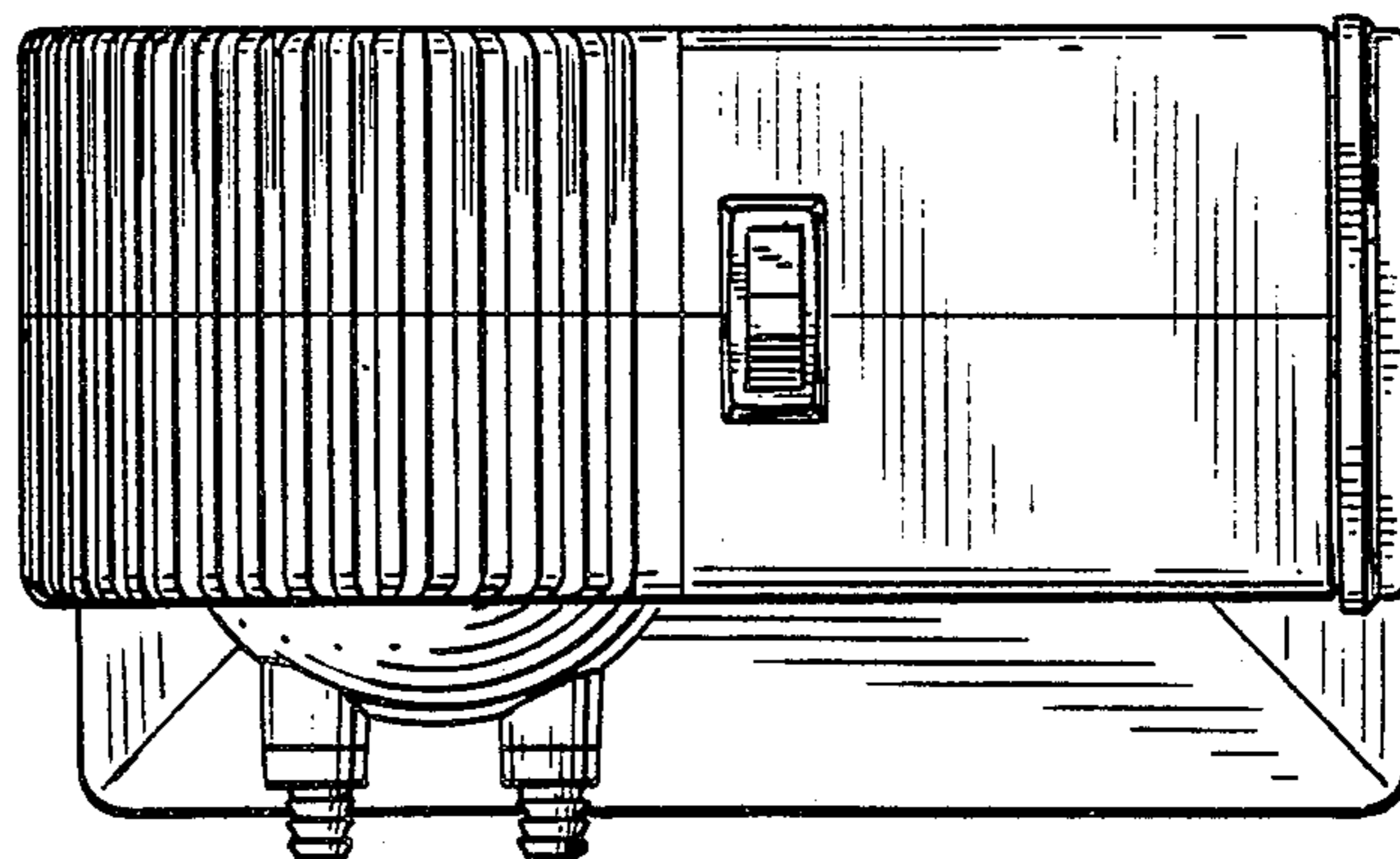


FIG. 2

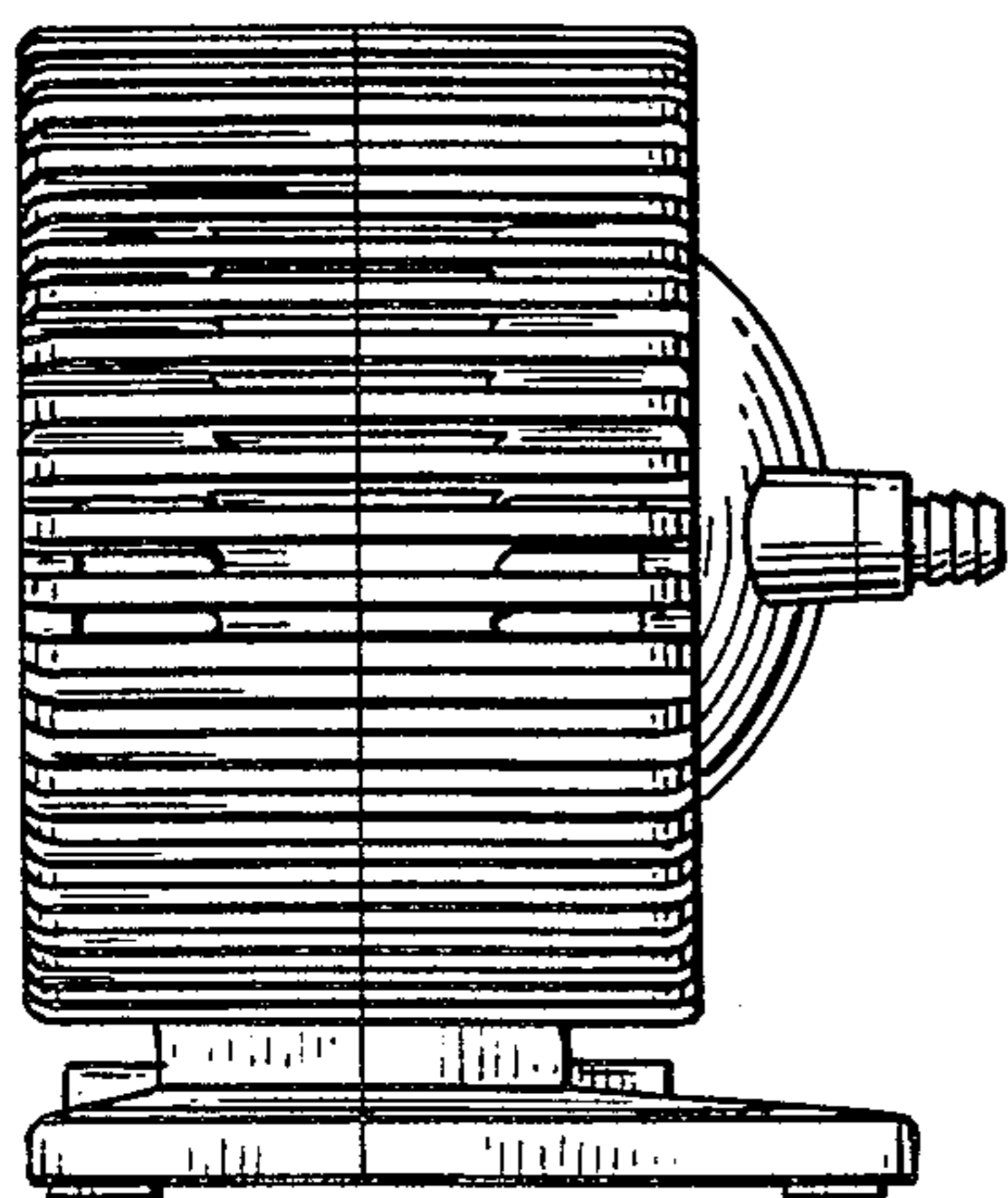


FIG. 4

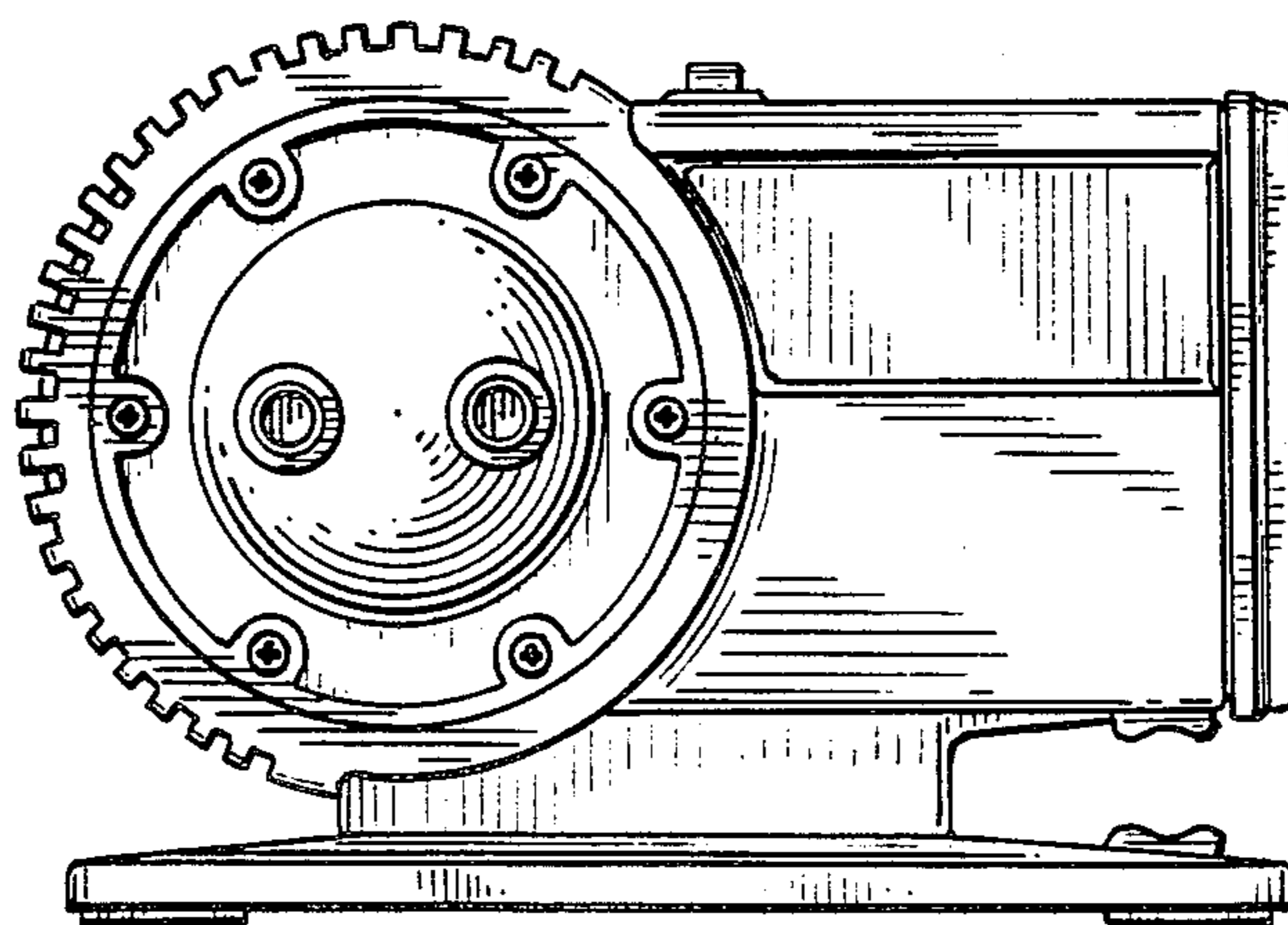


FIG. 3

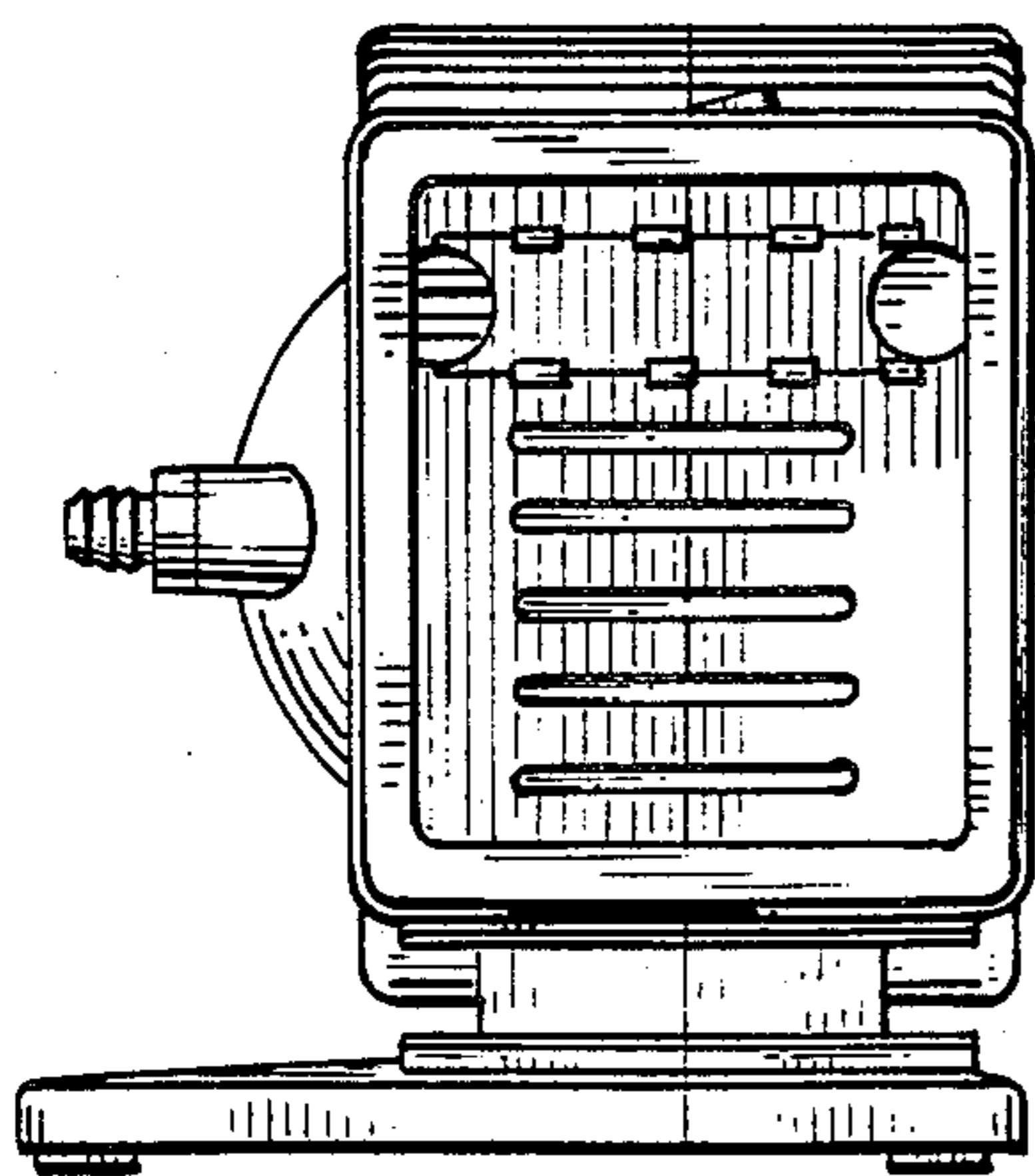


FIG. 5

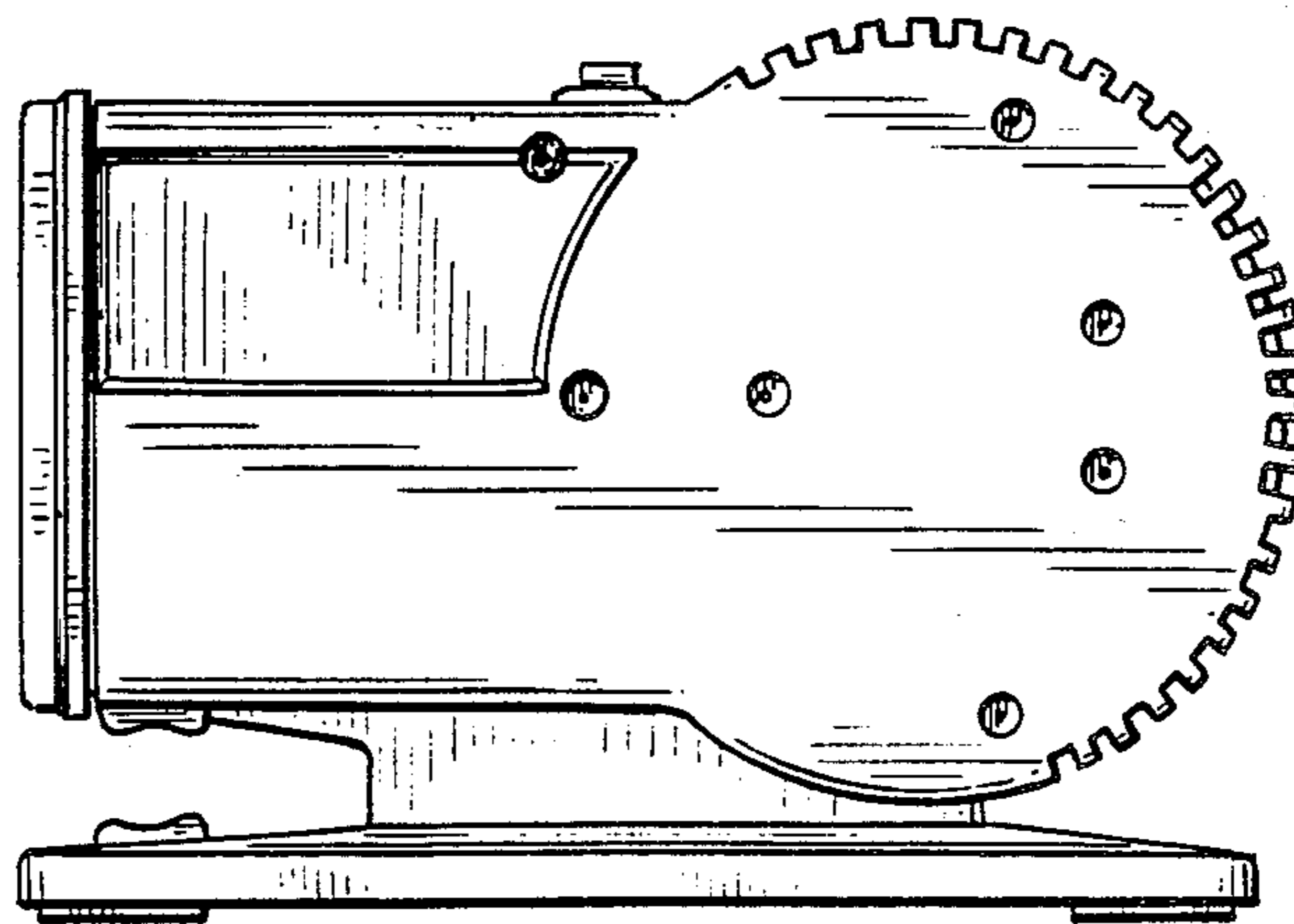


FIG. 6