

[54] **AIR COMPRESSOR**

[75] **Inventor:** Frederick M. Morgan, Toledo, Ohio

[73] **Assignee:** Champion Spark Plug Company,  
Toledo, Ohio

[\*\*] **Term:** 14 Years

[21] **Appl. No.:** 922,448

[22] **Filed:** Oct. 22, 1986

[52] **U.S. Cl.** ..... D15/9

[58] **Field of Search** ..... D15/7, 9; D23/2;  
417/231, 233, 234

[56] **References Cited**

**U.S. PATENT DOCUMENTS**

D. 231,226	4/1974	Monroe	.....	D23/2
D. 273,011	3/1984	Dudley	.....	D15/9
D. 273,493	4/1984	Vitaloni	.....	D15/9
4,077,747	3/1978	Burenza	.....	417/234

**OTHER PUBLICATIONS**

Grainger's catalogue No. 338, Spring 1974, p. 353, 1 hp. Twin-Cylinder Vacuum Outfit.

*Primary Examiner*—Wallace R. Burke  
*Assistant Examiner*—Brian N. Vinson  
*Attorney, Agent, or Firm*—MacMillan, Sobanski & Todd

[57] **CLAIM**

The ornamental design for an air compressor, as shown and described.

**DESCRIPTION**

FIG. 1 is a left, front perspective view of an air compressor showing my new design; FIG. 2 is a right, front perspective view thereof; FIG. 3 is a rear perspective view of FIG. 1; FIG. 4 is a rear perspective view of FIG. 2; FIG. 5 is a lower rear perspective view of FIG. 3; FIG. 6 is a lower perspective view of FIG. 2; and FIG. 7 is a rear perspective view of an alternative embodiment thereof, the only difference residing in the omission of the tubular handgrip bar on the front end.

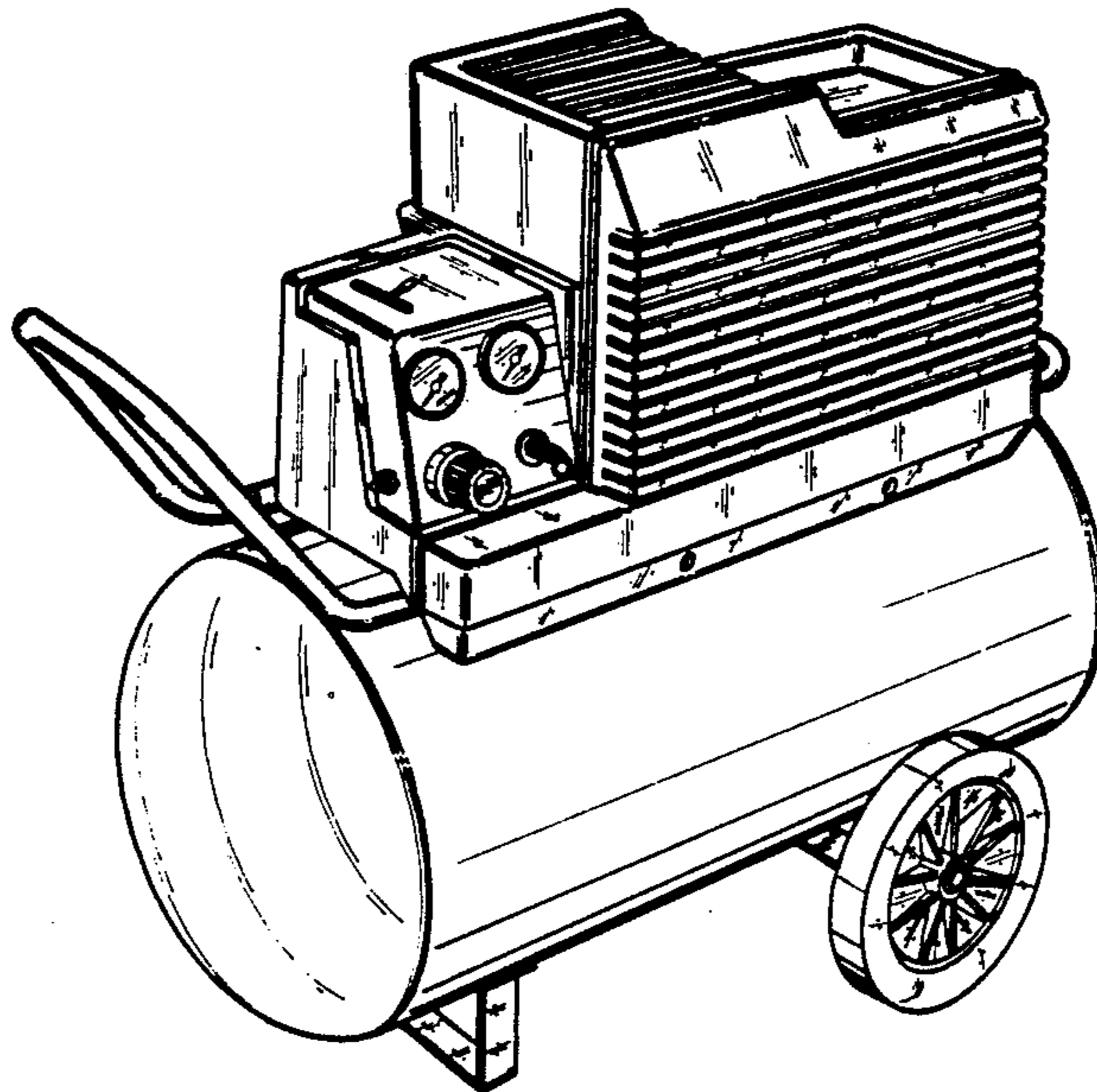
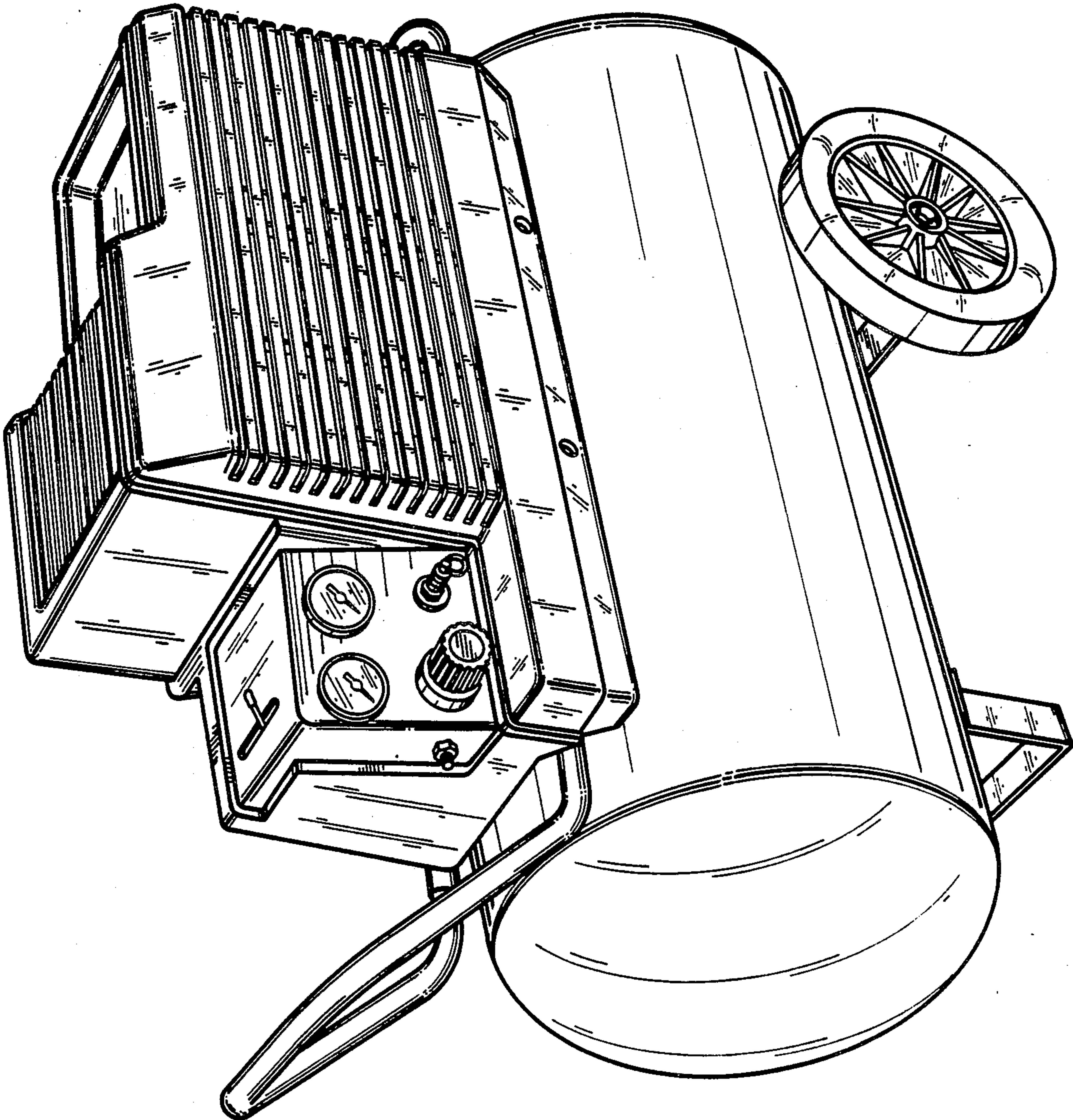
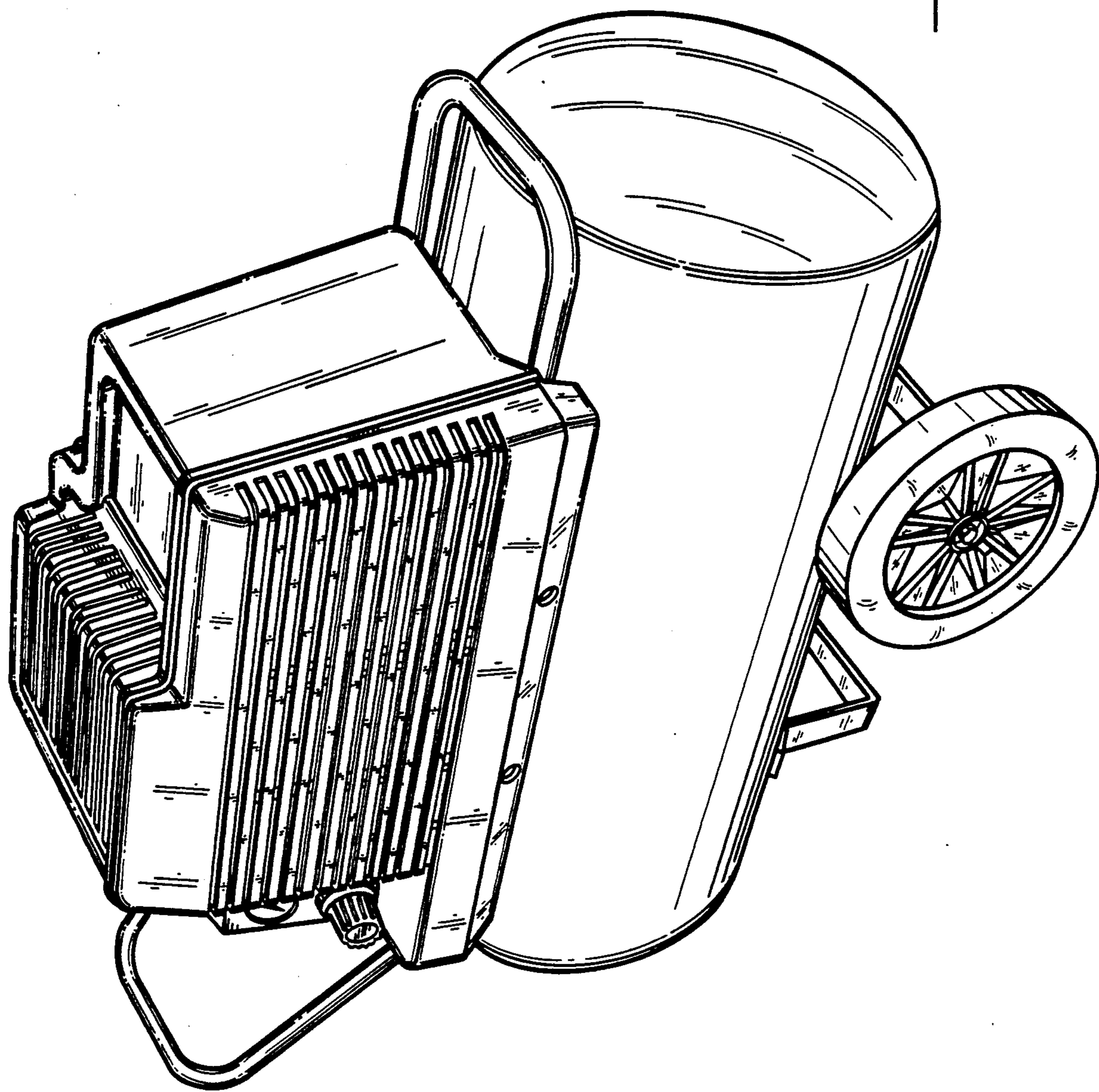


FIG. 1





—FIG. 2

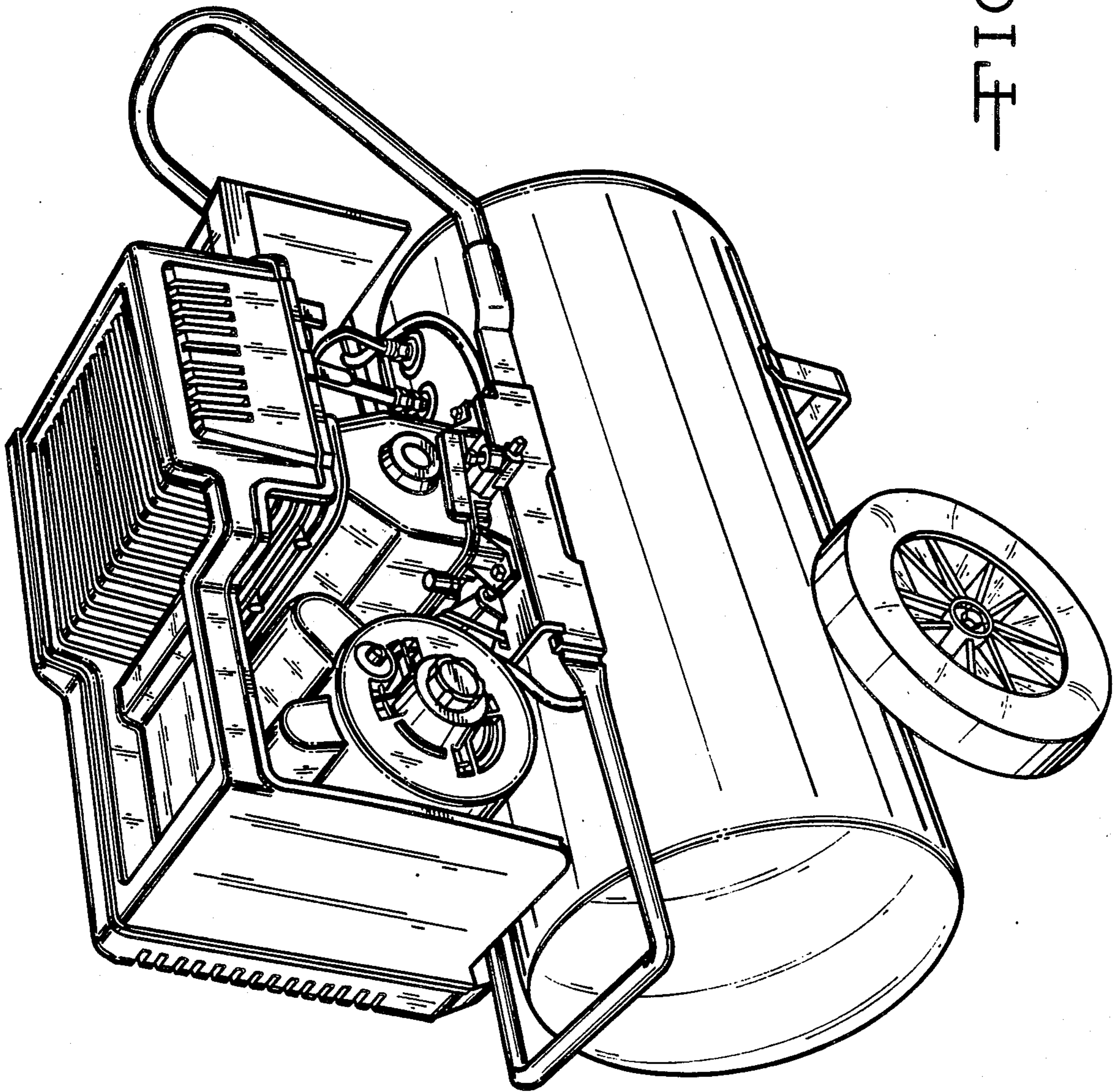


FIG. 3

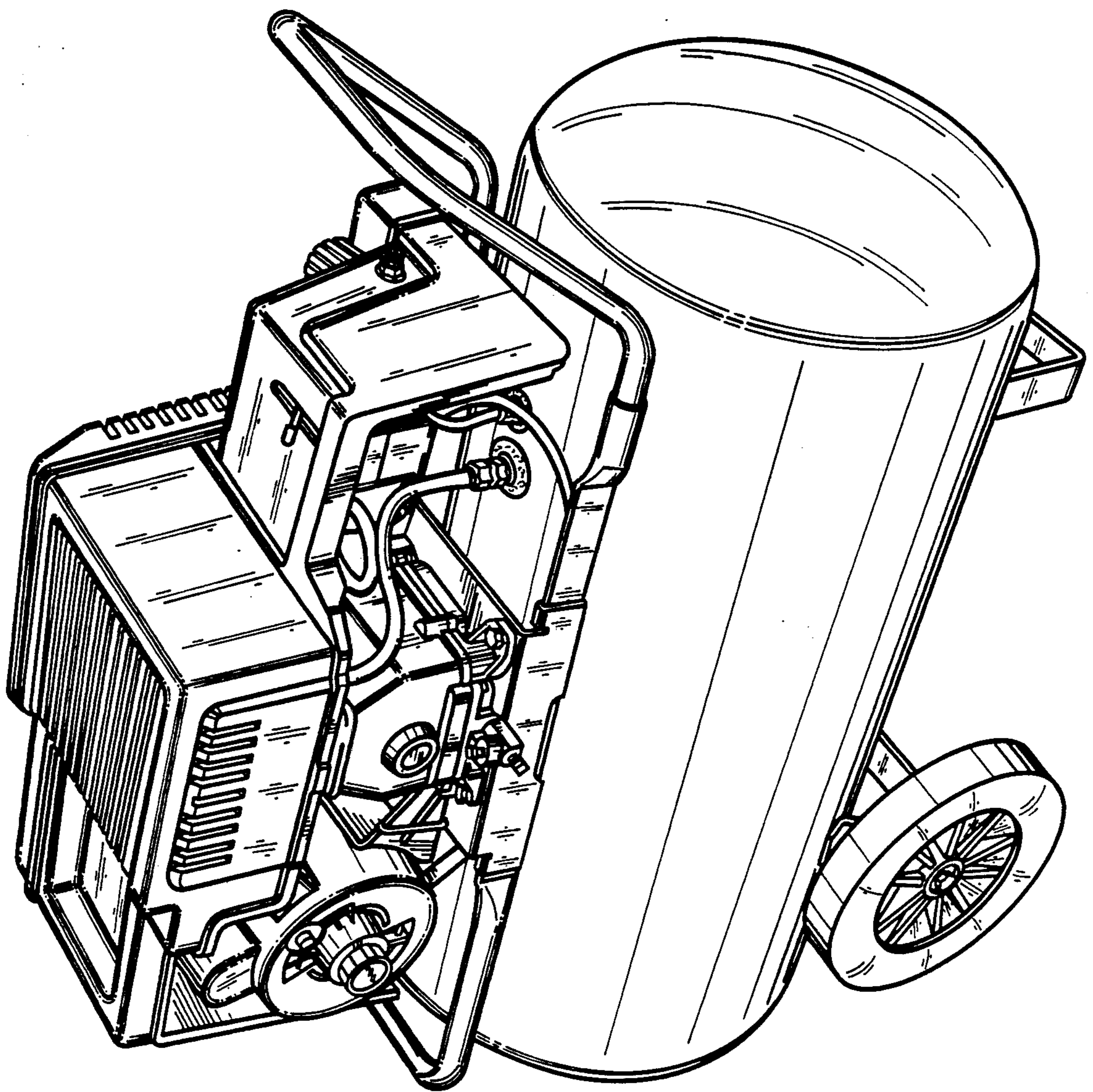


FIG. 4

—FIG. 5

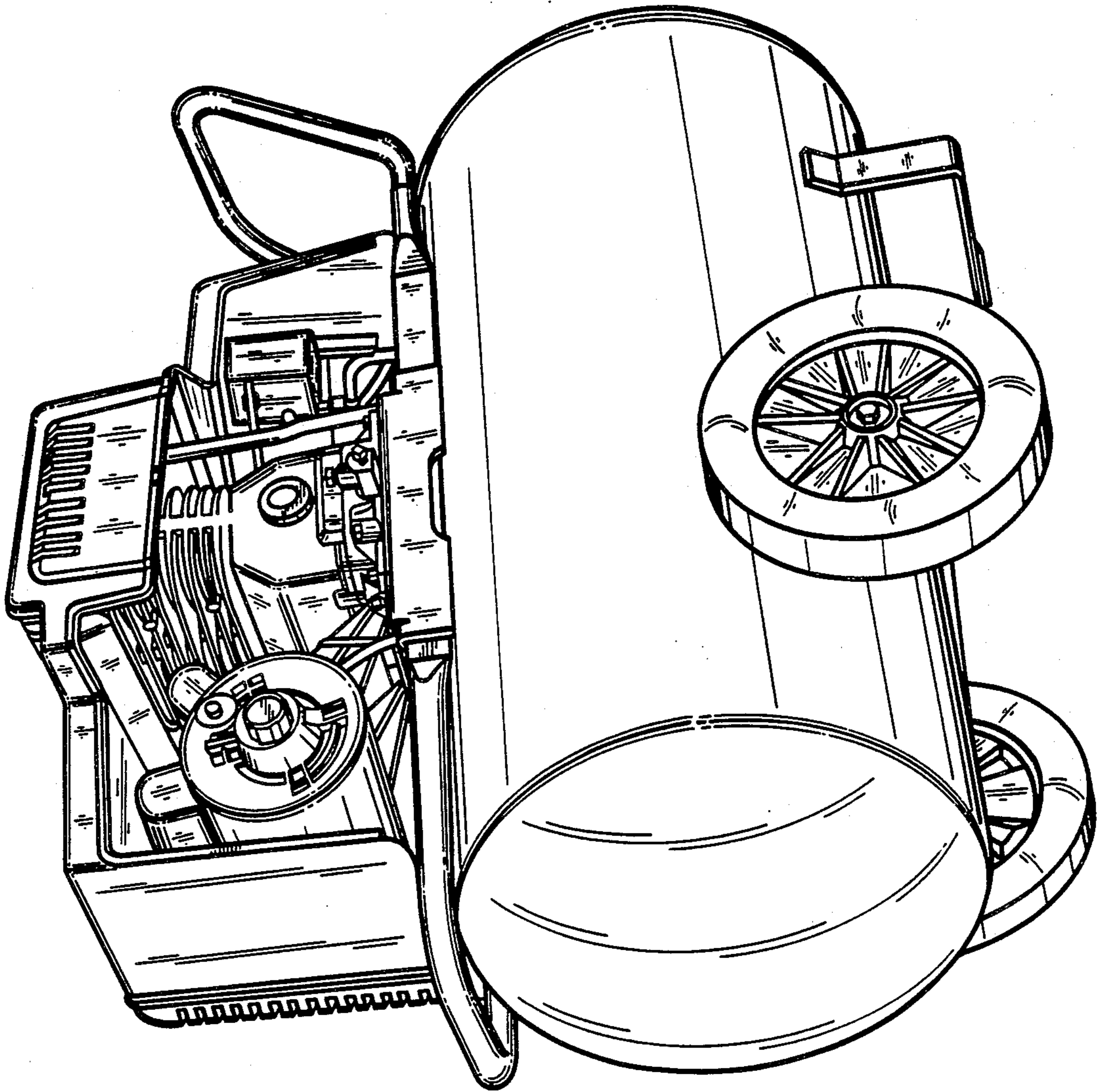
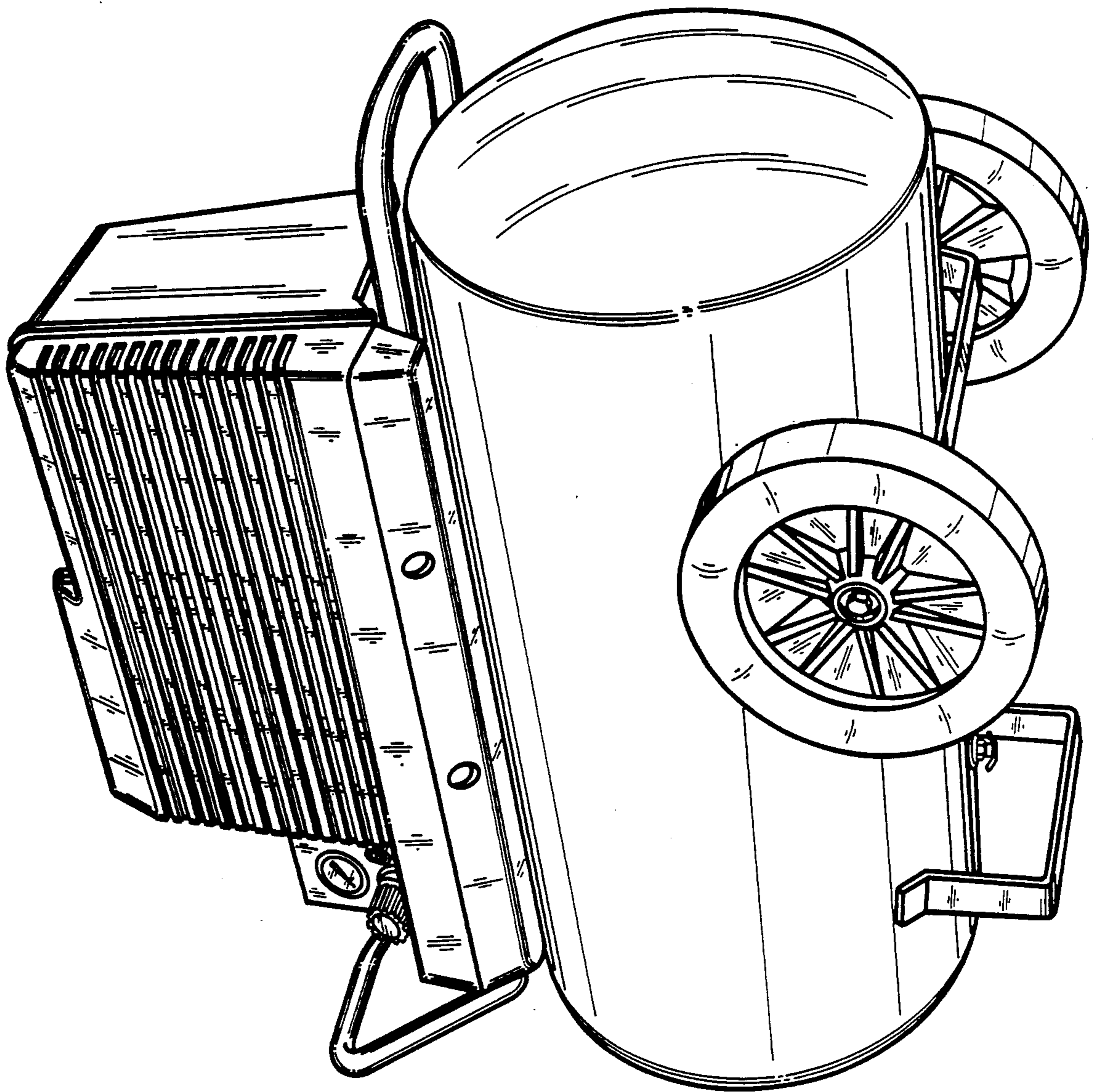


FIG. 6



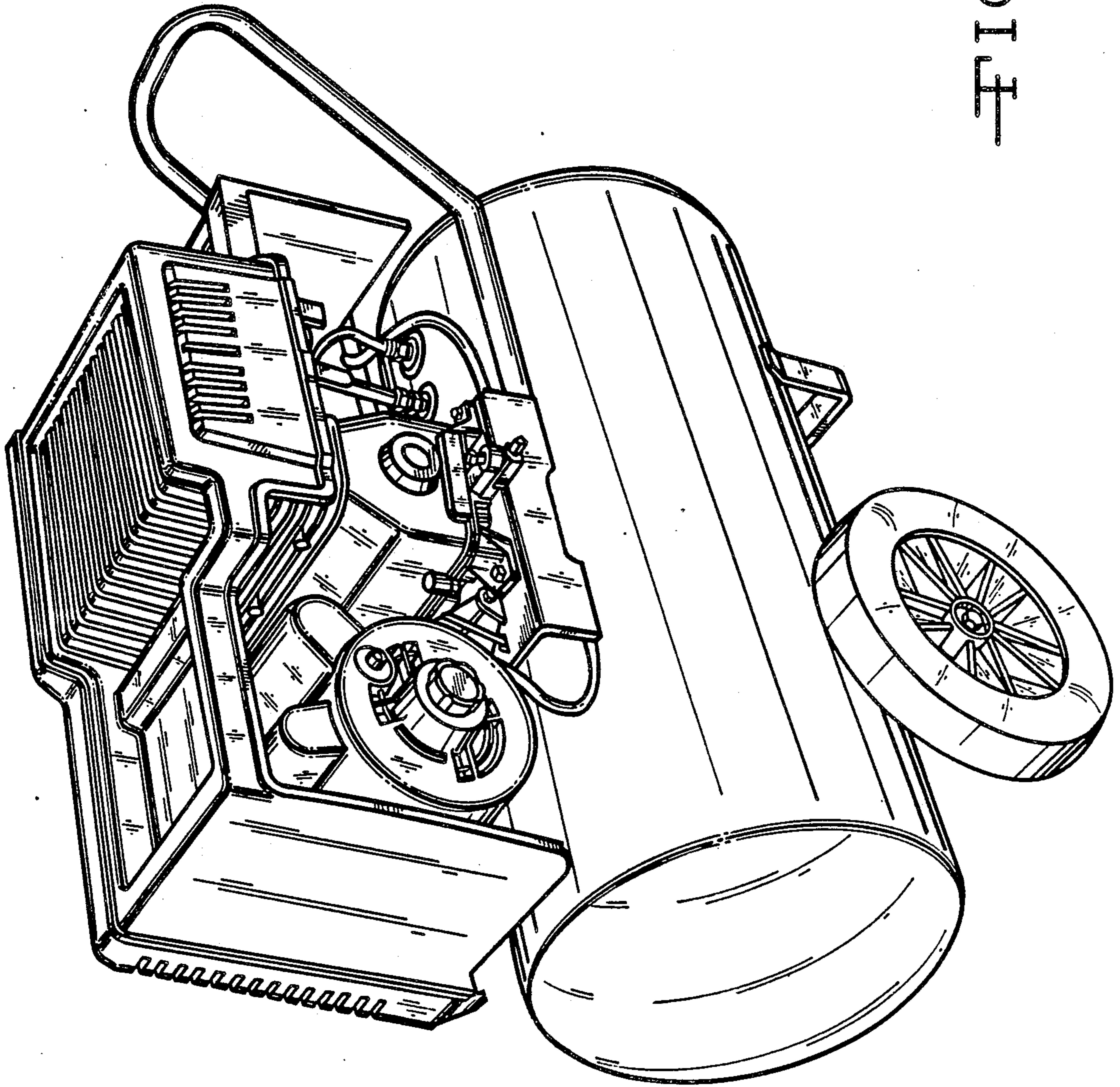


FIG. 7