

[54] **PRINTER**

[75] **Inventor:** Frank Pensavecchia, Lake Orion, Mich.

[73] **Assignee:** Centronics Data Computer Corp., Hudson, N.H.

[\*\*] **Term:** 14 Years

[21] **Appl. No.:** 754,030

[22] **Filed:** Jul. 11, 1985

[52] **U.S. Cl.** ..... D14/111; D18/13

[58] **Field of Search** ..... D14/100, 107, 111, 114;  
D18/13, 22; 400/689-694

[56] **References Cited**

**U.S. PATENT DOCUMENTS**

3,561,581 2/1971 Takenaka ..... D14/111 X

**OTHER PUBLICATIONS**

Byte, 9-1983, p. 361, MIC-40 Thermal Dot Matrix Printer.

Computer Design, 6-1981, p. 48, Digitec Printer.

*Primary Examiner*—Susan J. Lucas

*Attorney, Agent, or Firm*—Nixon & Vanderhye

[57] **CLAIM**

The ornamental design for a printer, as shown.

**DESCRIPTION**

FIG. 1 is a front, top and left hand side perspective view of a printer showing my new design;

FIG. 2 is a front, top and right hand side perspective view thereof;

FIG. 3 is a top plan view thereof;

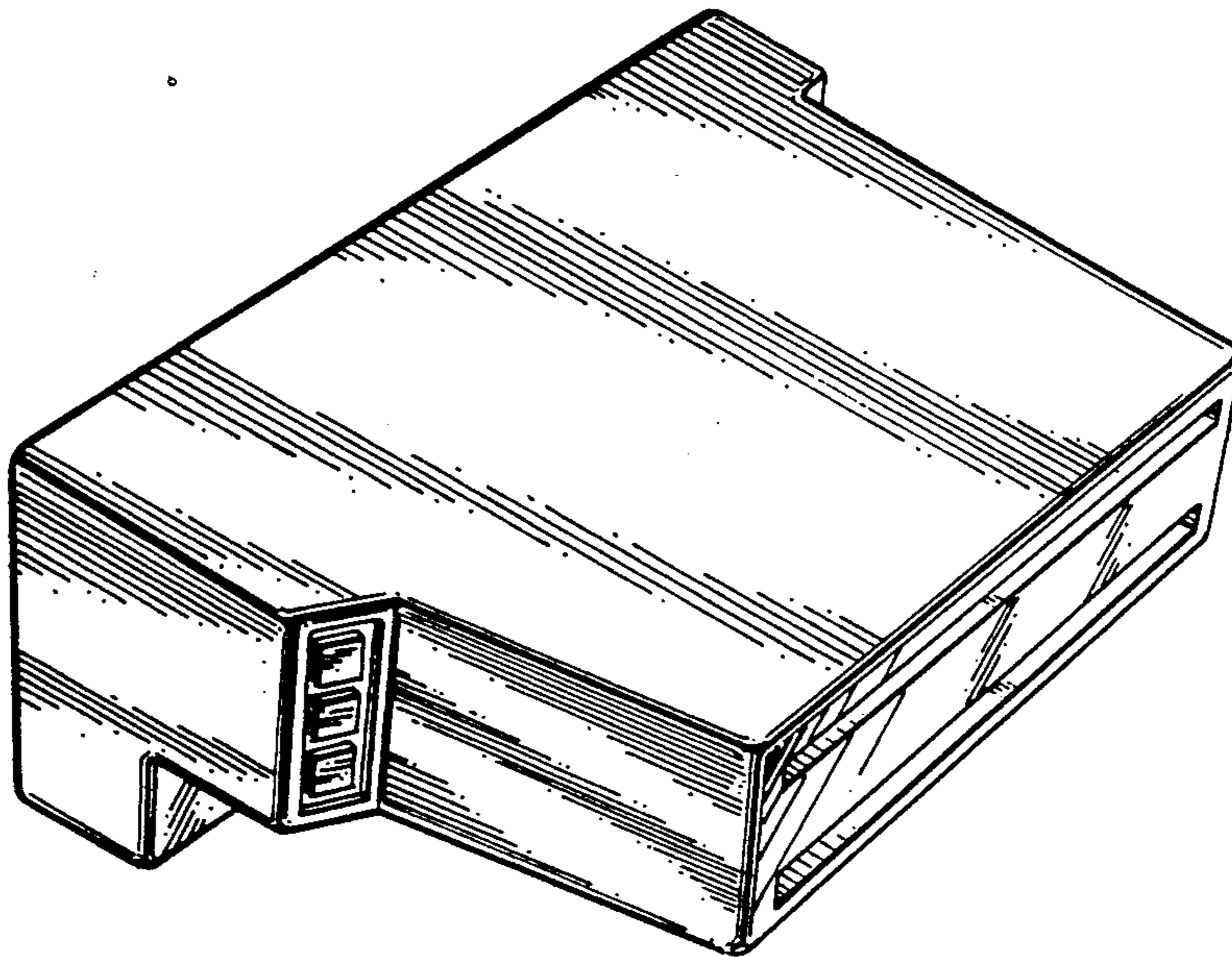
FIG. 4 is a front elevational view thereof;

FIG. 5 is a rear elevational view thereof;

FIG. 6 is a bottom plan view thereof;

FIG. 7 is a right hand side elevational view thereof;

FIG. 8 is a left hand side elevational view thereof.



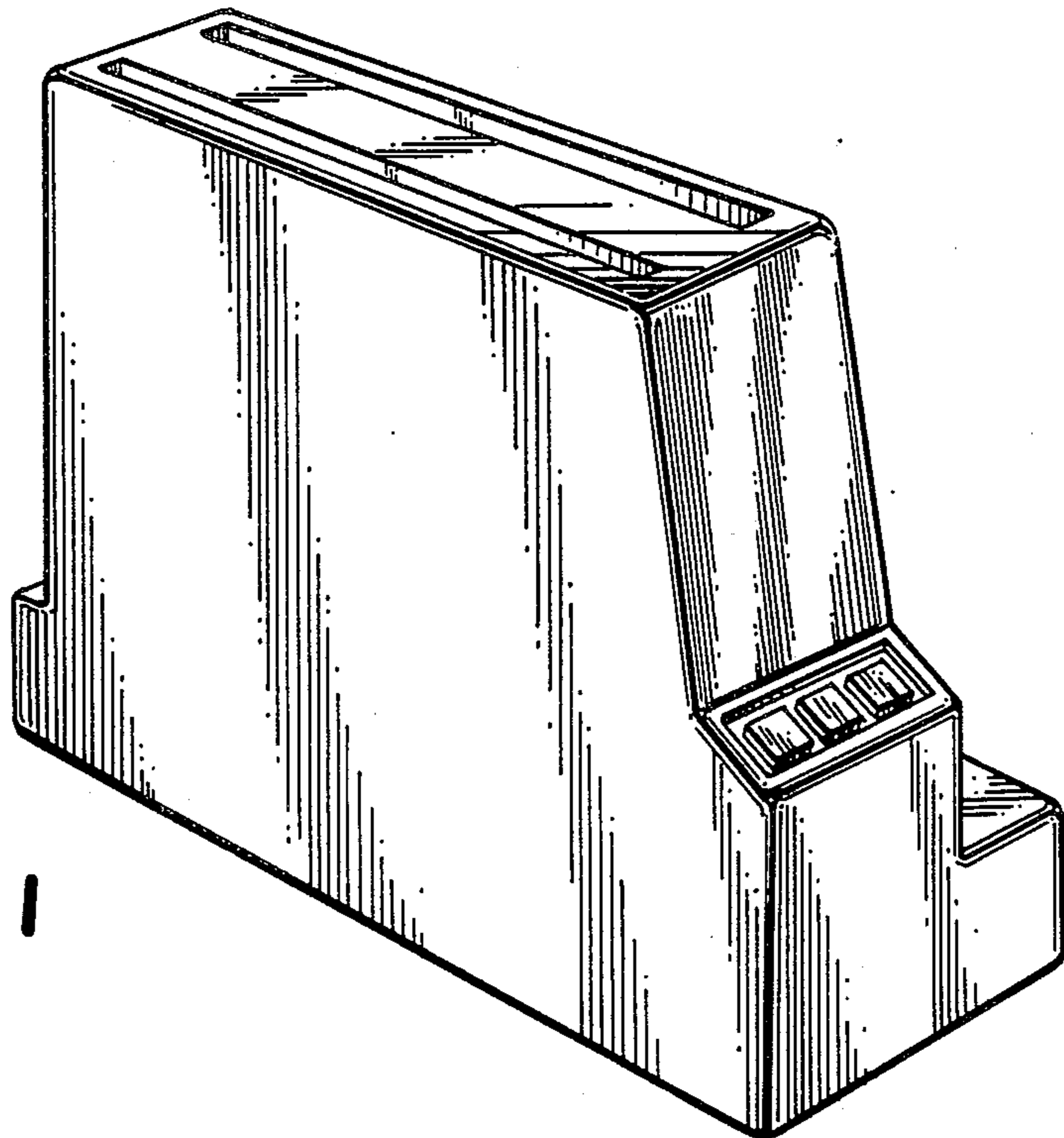


FIG. 1

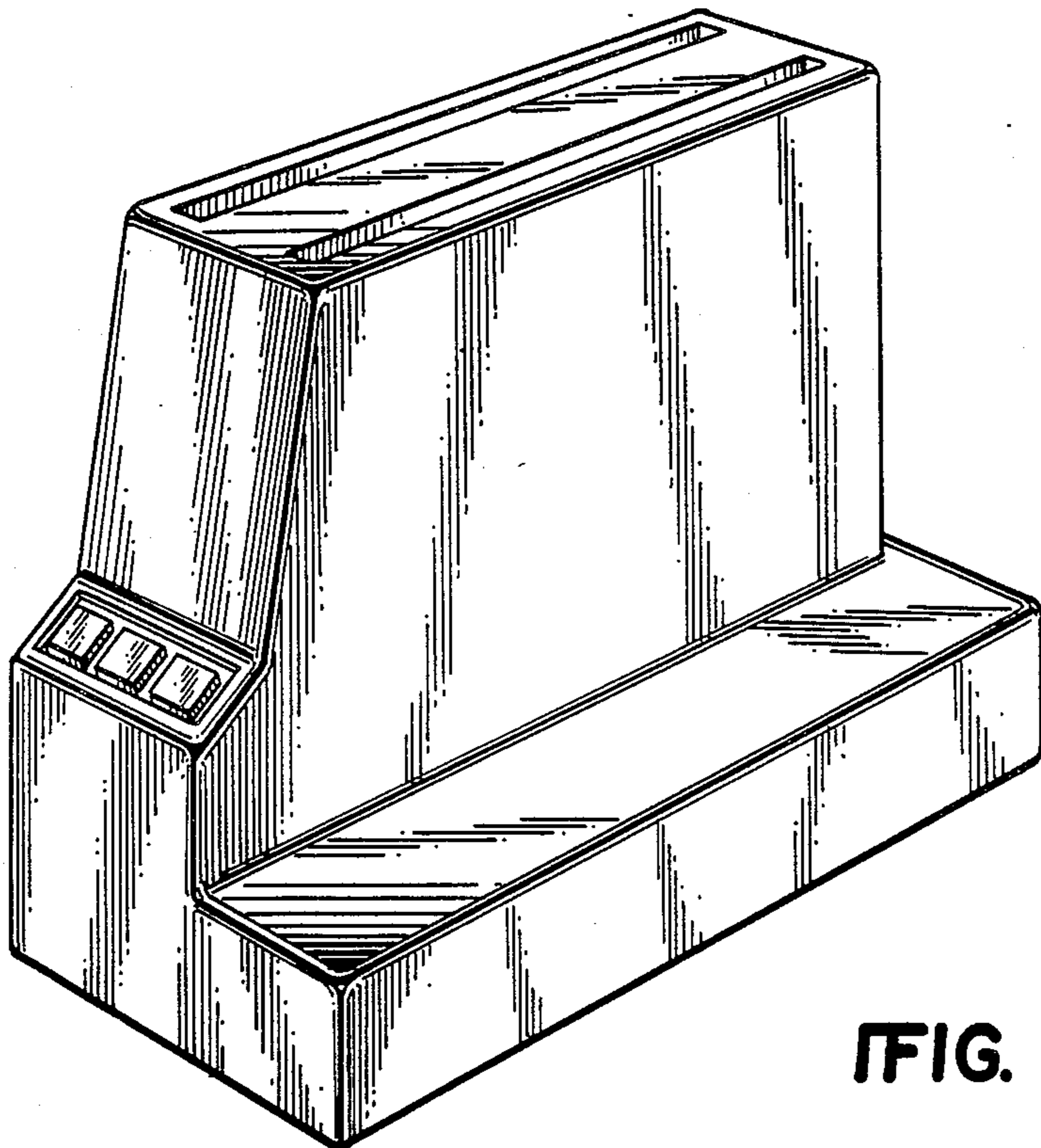


FIG. 2

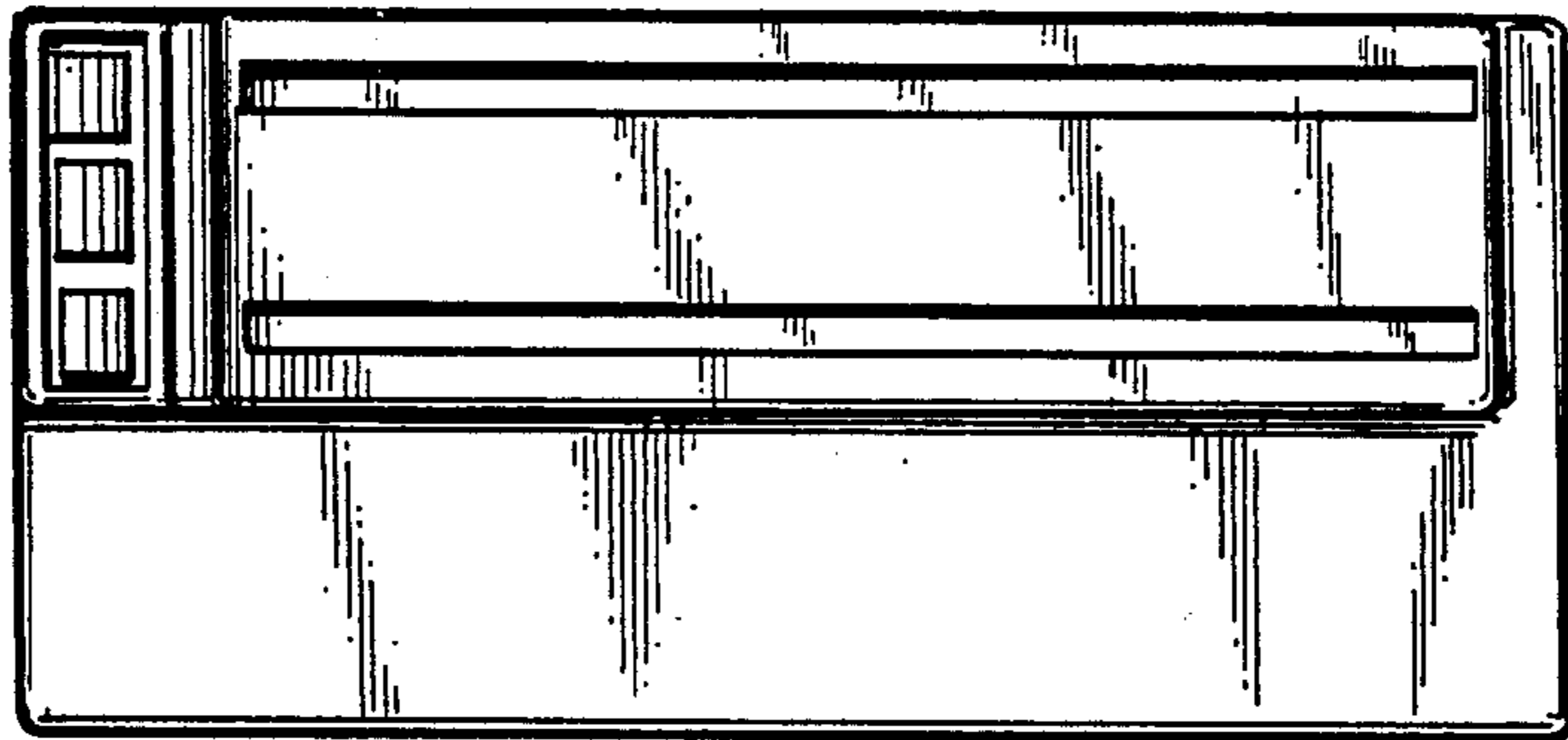


FIG. 3

FIG. 4

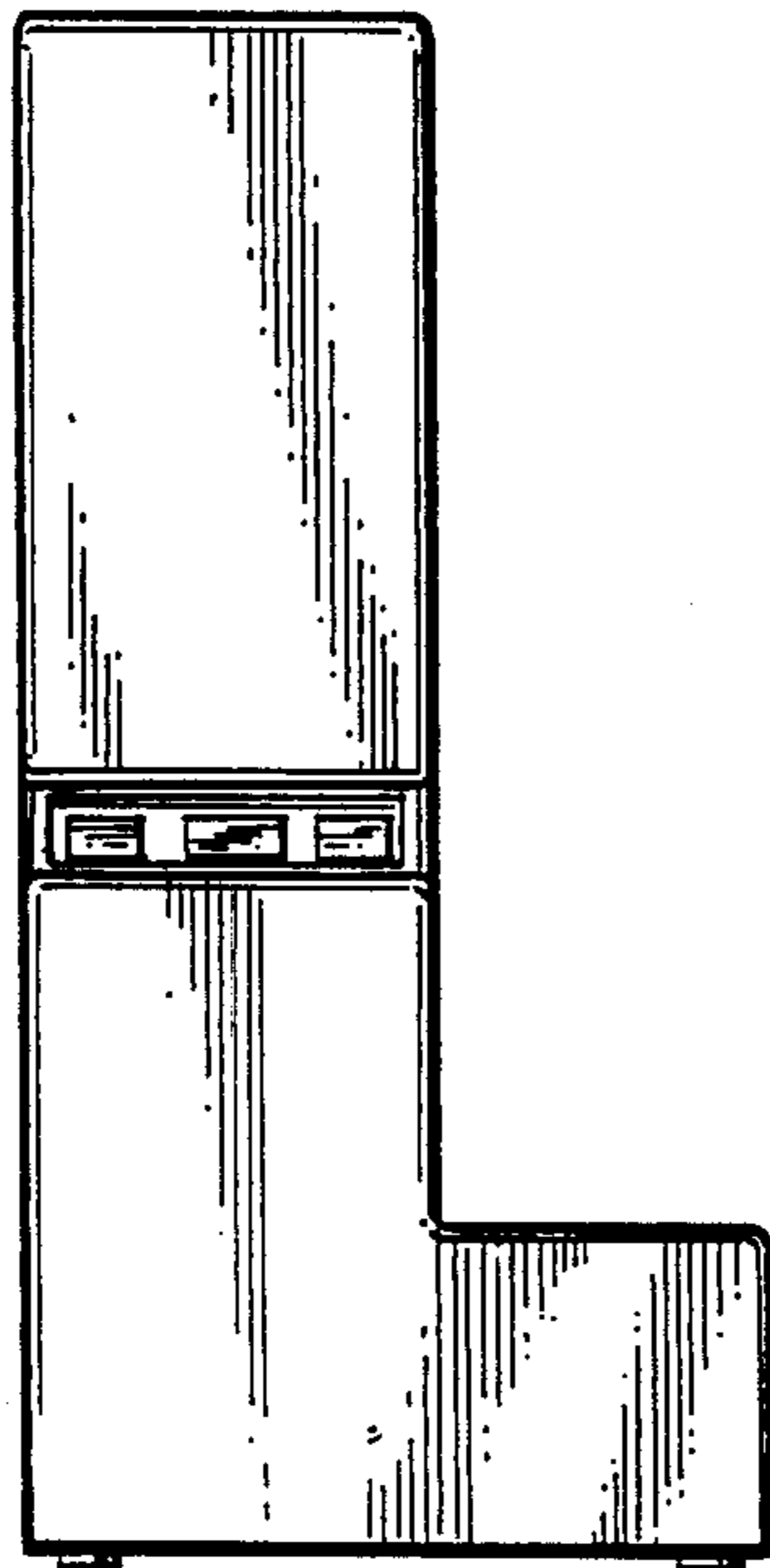


FIG. 5

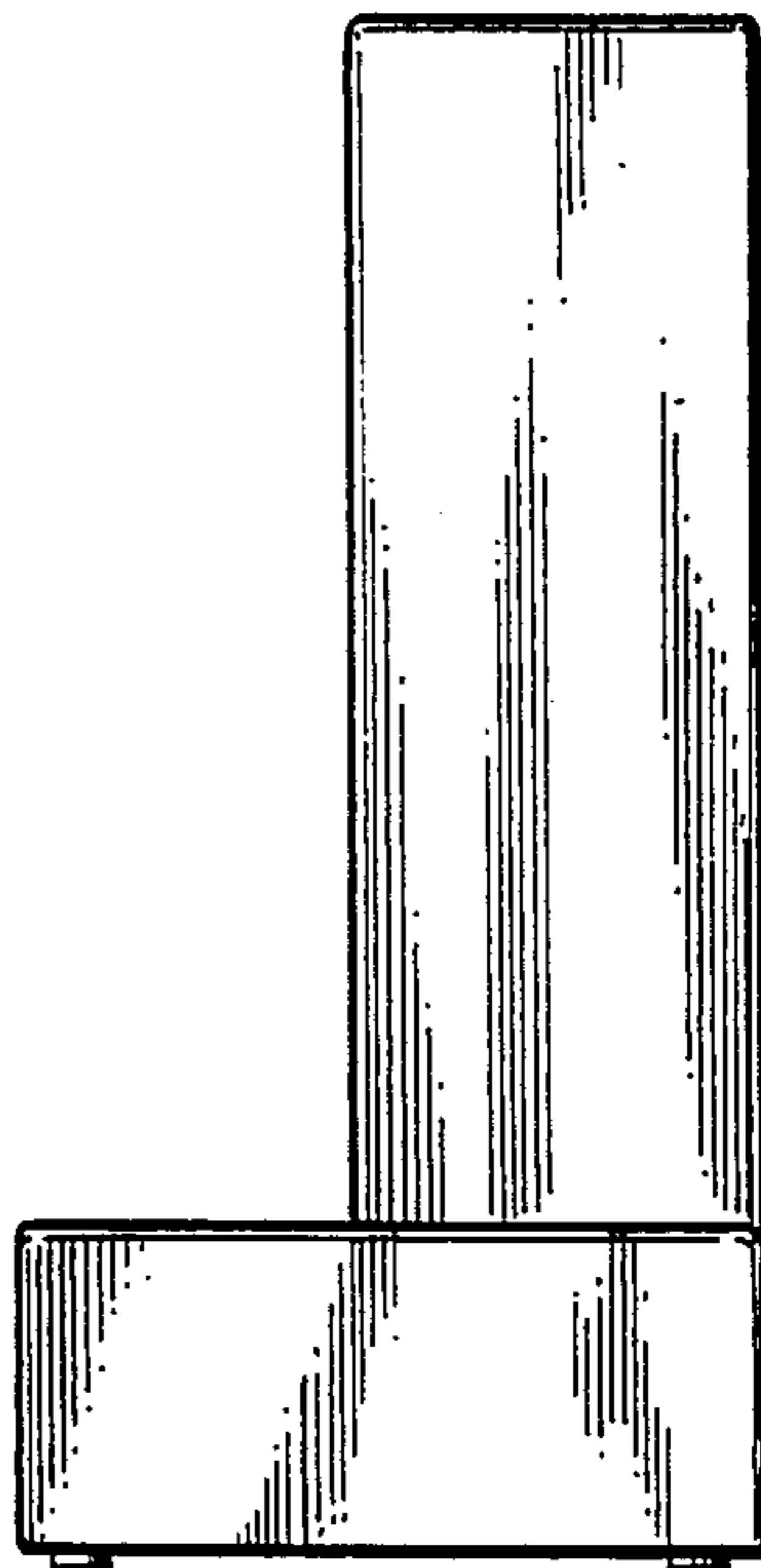
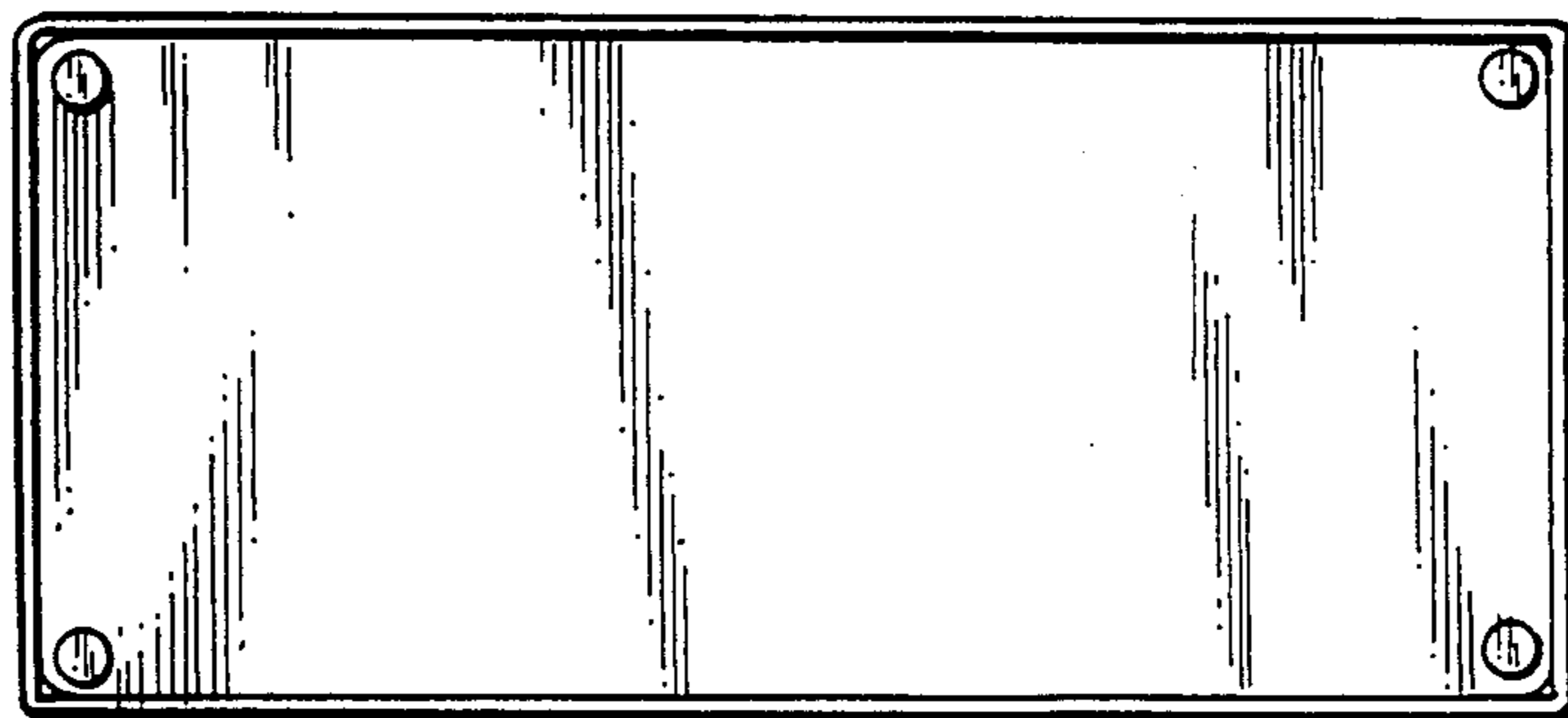


FIG. 6



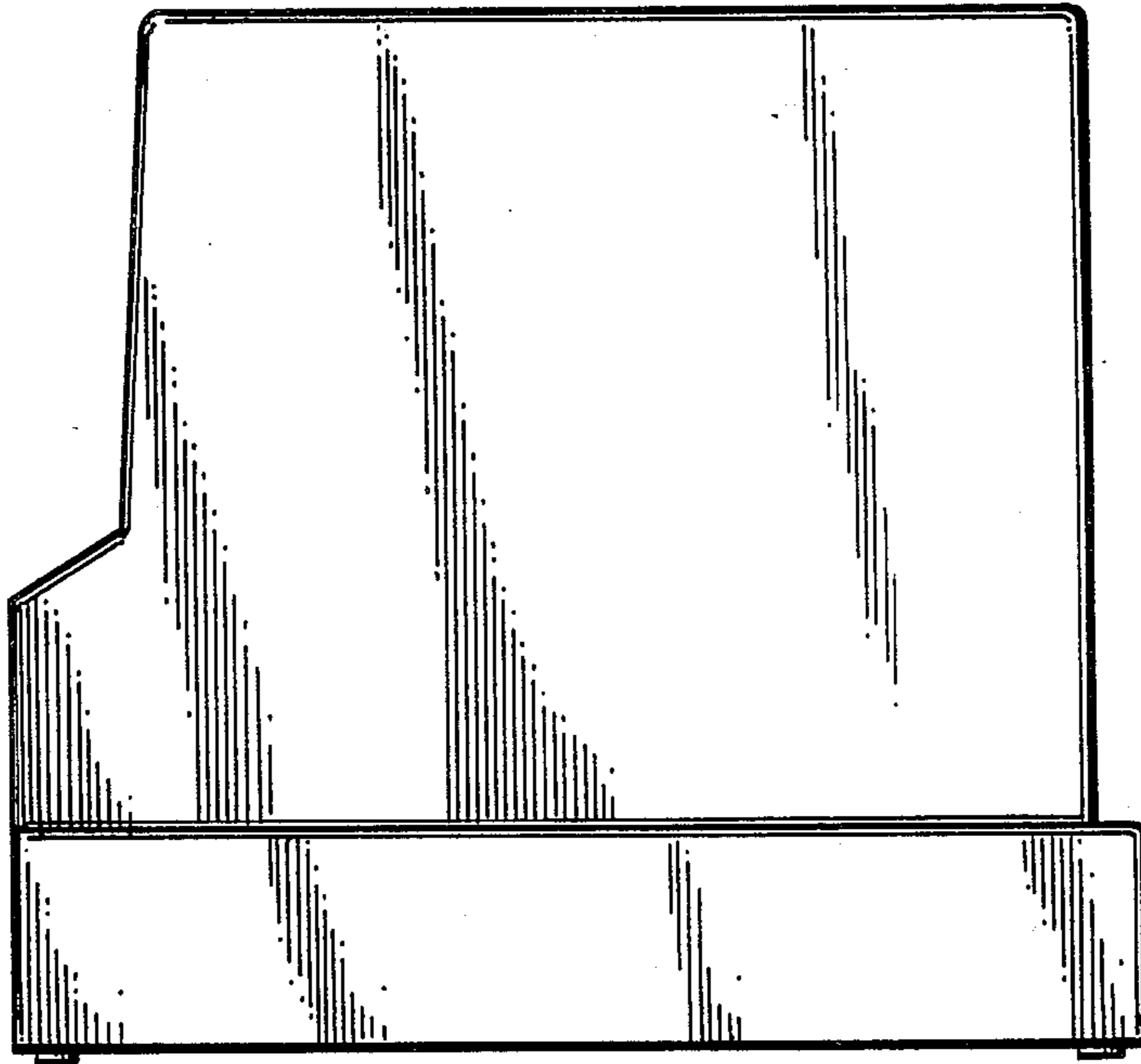


FIG. 7

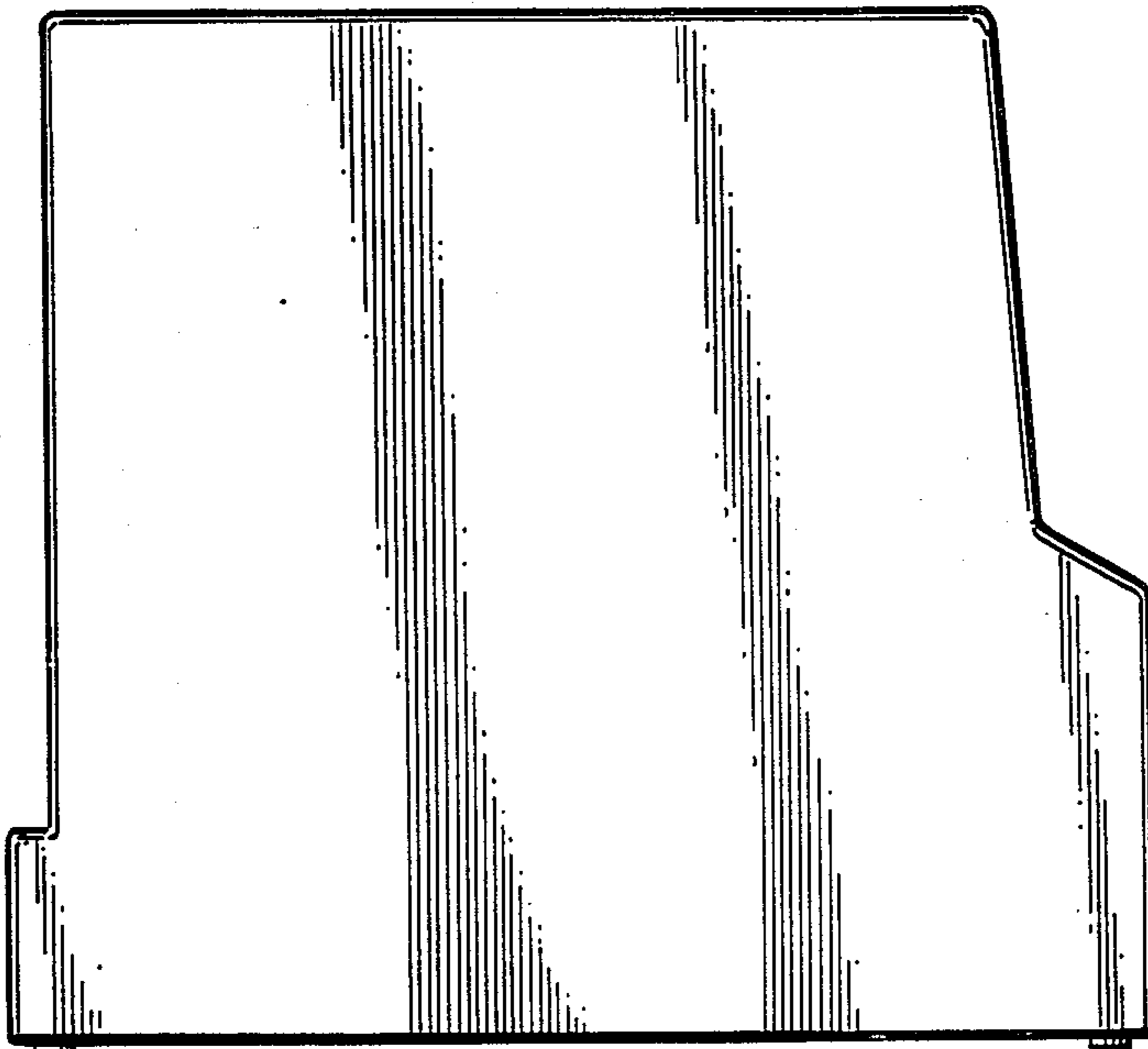


FIG. 8