

[54] TELEPHONE STAND

[75] Inventors: John Kowalik, Freehold; Ronald Longhitano, Oldbridge Township, Middlesex County; Stephen G. Miggels, Wyckoff; Walter J. Shakespeare, Middletown, all of N.J.

[73] Assignees: American Telephone and Telegraph Company; AT&T Information Systems Inc., both of Murray Hill, N.J.

[*] Notice: The portion of the term of this patent subsequent to Dec. 22, 2001 has been disclaimed.

[**] Term: 14 Years

[21] Appl. No.: 876,384

[22] Filed: Jun. 19, 1986

[52] U.S. Cl. D14/60

[58] Field of Search D14/52, 53, 56, 58, D14/60, 61, 62; 179/179, 100 R, 100 D, 100 C, 100 L, 101

[56] References Cited

U.S. PATENT DOCUMENTS

- D. 232,226 7/1974 Bee et al. D14/52
- D. 246,584 12/1977 Bhat et al. D14/57
- D. 262,626 1/1982 Genaro et al. D14/60
- D. 267,873 2/1983 Brown et al. D14/60
- D. 271,691 12/1983 Bhat et al. D14/60
- D. 274,959 8/1984 Glembocki et al. D6/555

- D. 277,282 1/1985 Barton et al. D14/59
- D. 281,599 12/1985 Joffe et al. D14/62
- D. 283,814 5/1986 Genaro et al. D14/60
- 4,046,972 9/1977 Huizinga et al. 179/99
- 4,515,998 5/1985 Pinede et al. 179/146 R

FOREIGN PATENT DOCUMENTS

WO83/01550 4/1983 PCT Int'l Appl. D14/52 X

OTHER PUBLICATIONS

B. A. Pargh Co Inc. Catalog, ©1985, p. 250, Uniden Model EX1040, "FeaturePhone".
Tele-Product News, Buscom Teleset, item 30.

Primary Examiner—Wallace R. Burke
Assistant Examiner—Horace B. Fay
Attorney, Agent, or Firm—Samuel R. Williamson

[57] CLAIM

The ornamental design for a telephone stand, substantially as shown and described.

DESCRIPTION

FIG. 1 is a left side, top and front perspective view of a telephone stand showing our new design;
FIG. 2 is a rear, bottom and left side perspective view thereof;
FIGS. 3 and 4 are respectively front and rear elevational views thereof;
FIG. 5 is a left side elevational view thereof, the view of the side opposite being a mirror image; and
FIGS. 6 and 7 are respectively top and bottom plan views thereof.

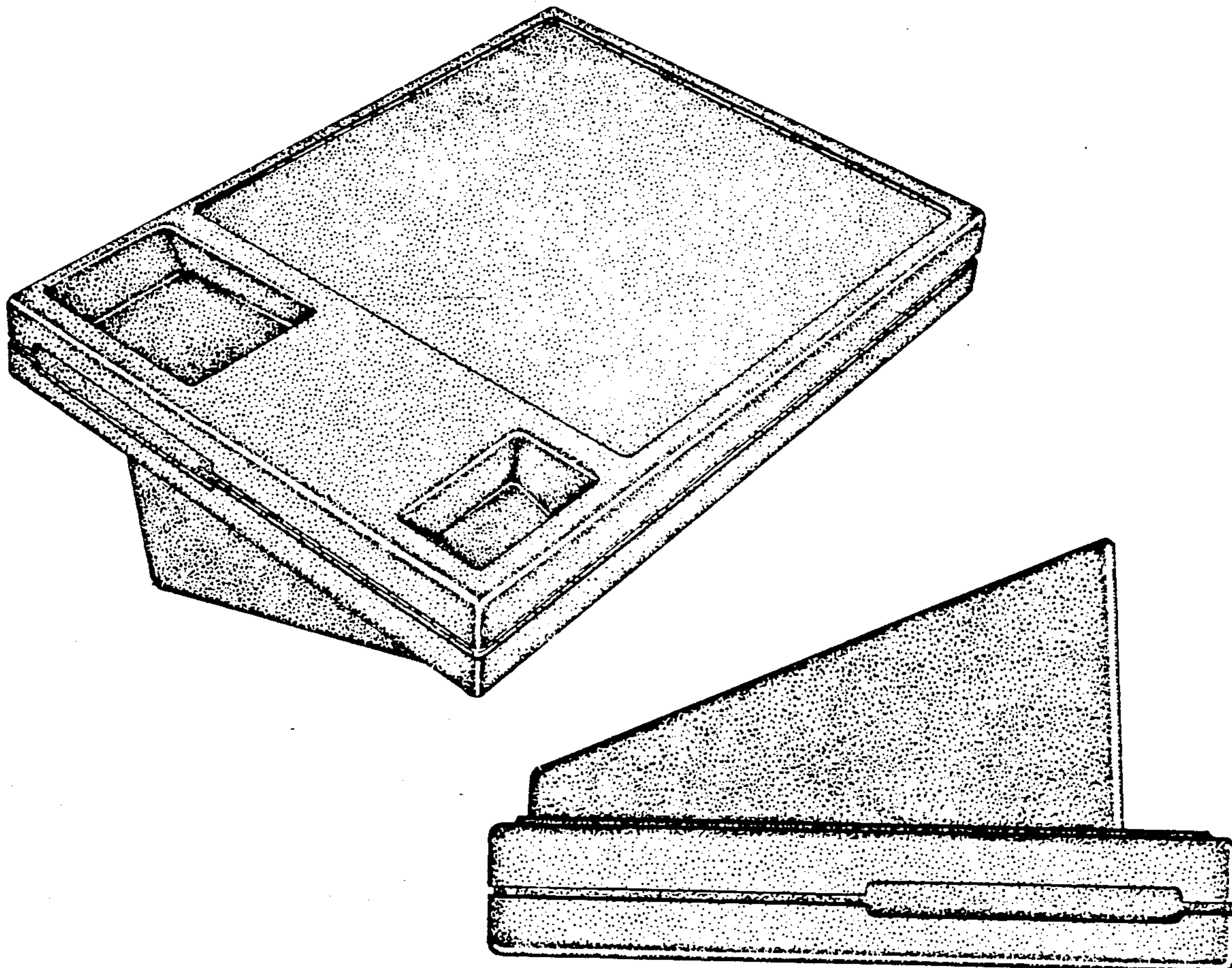


FIG. 1

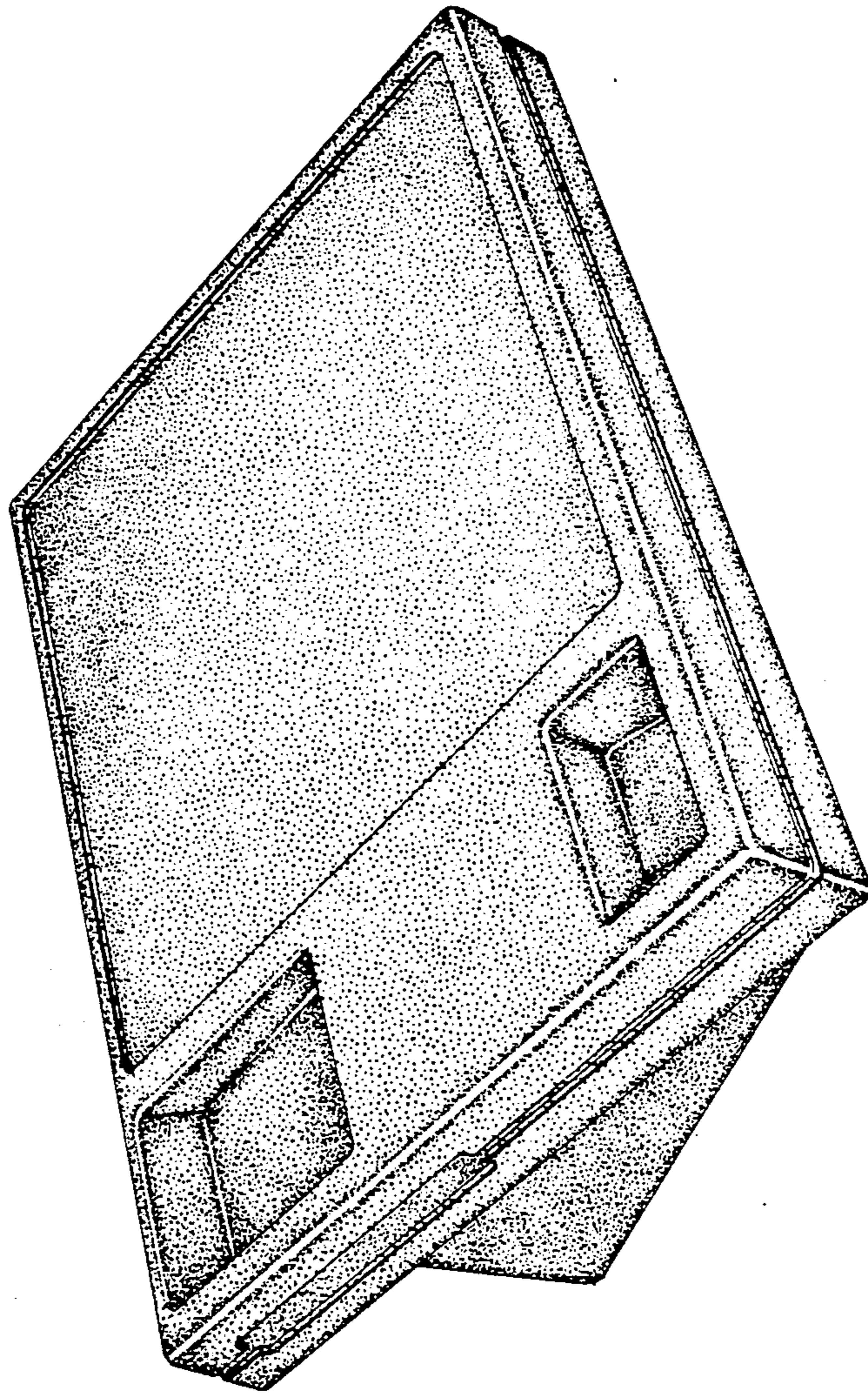


FIG. 2

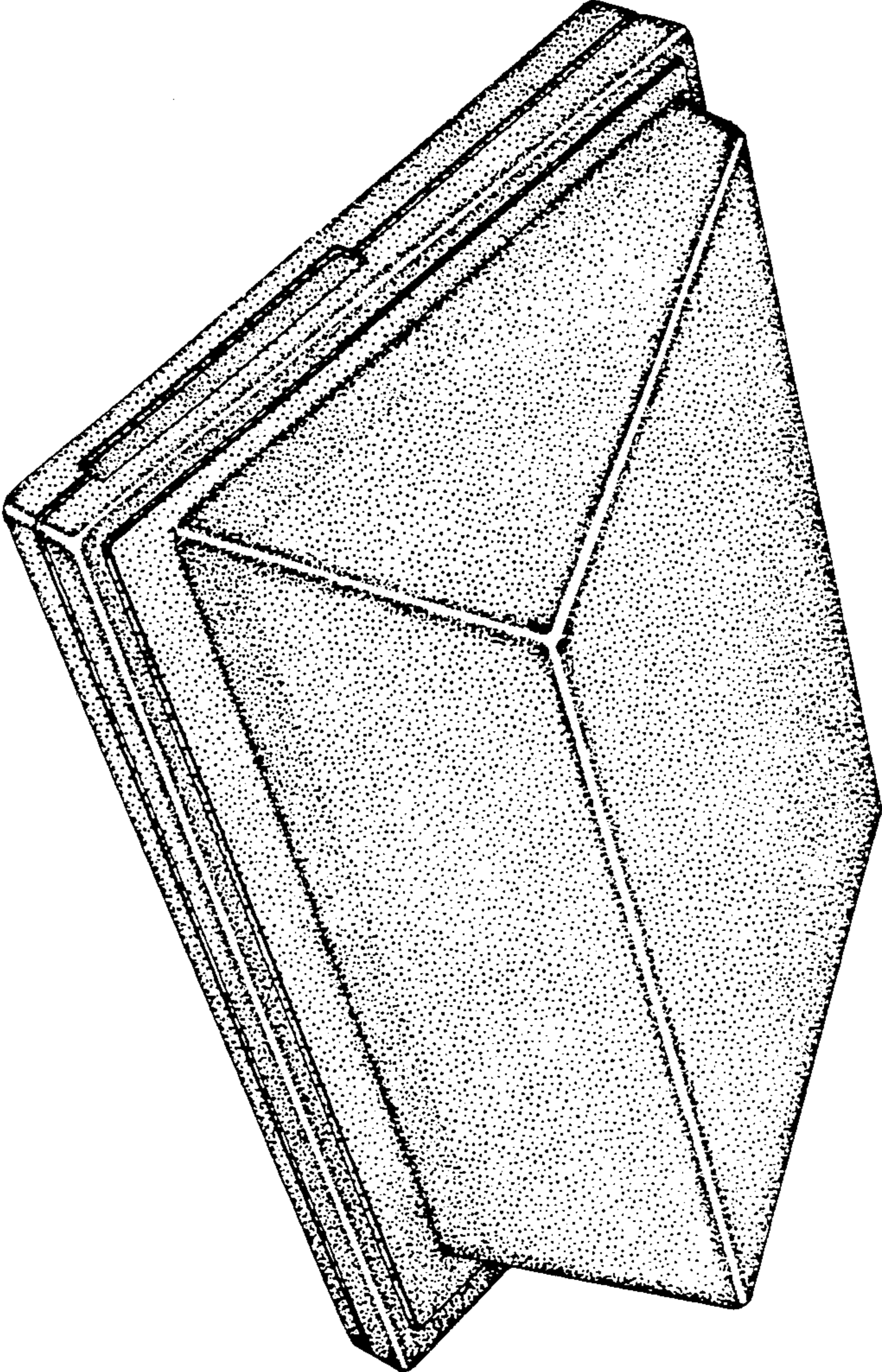


FIG. 3

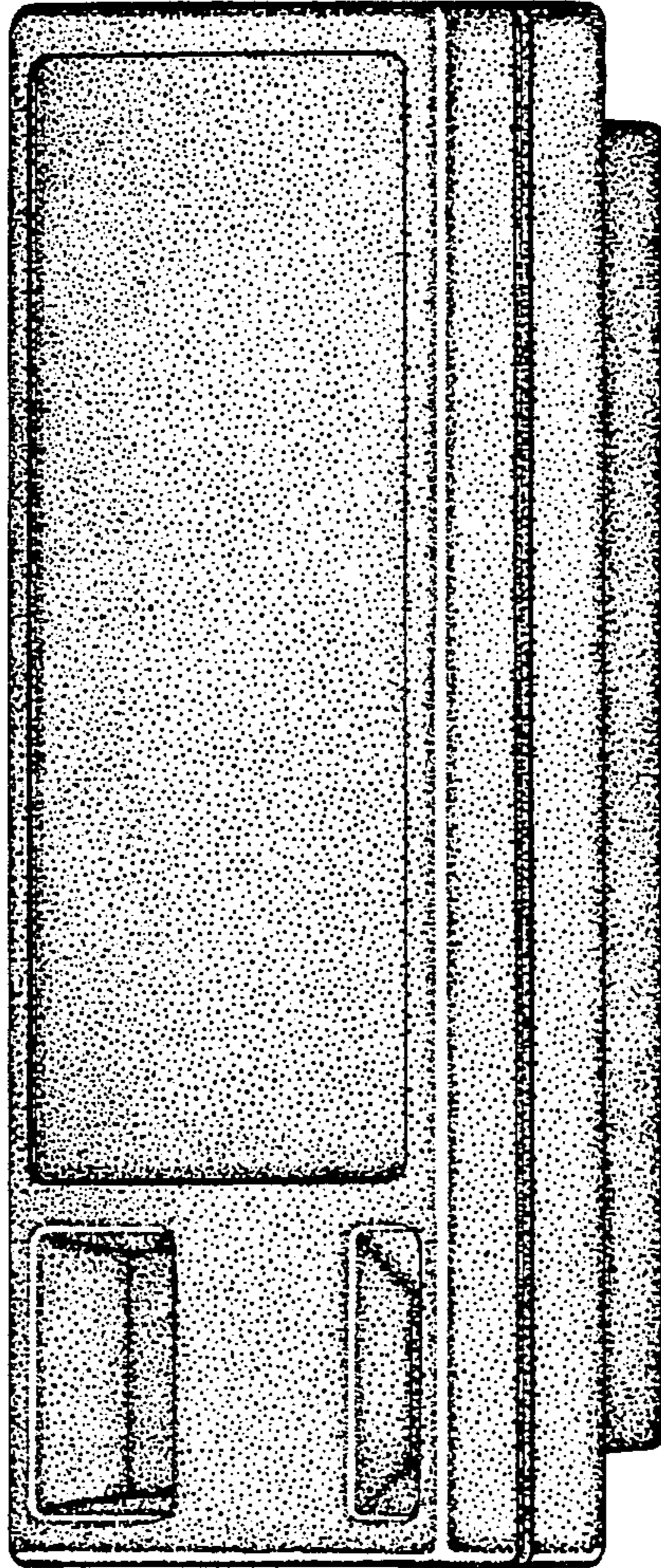


FIG. 4

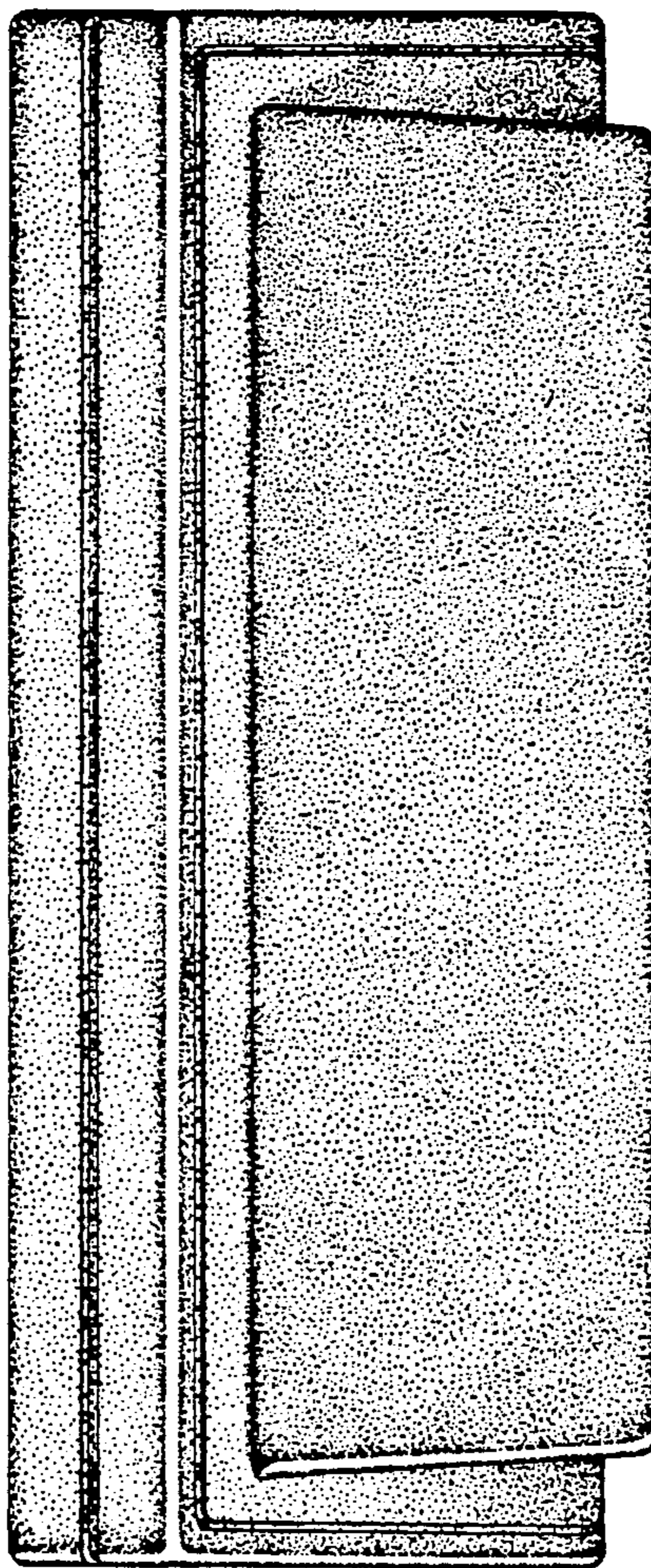


FIG. 5

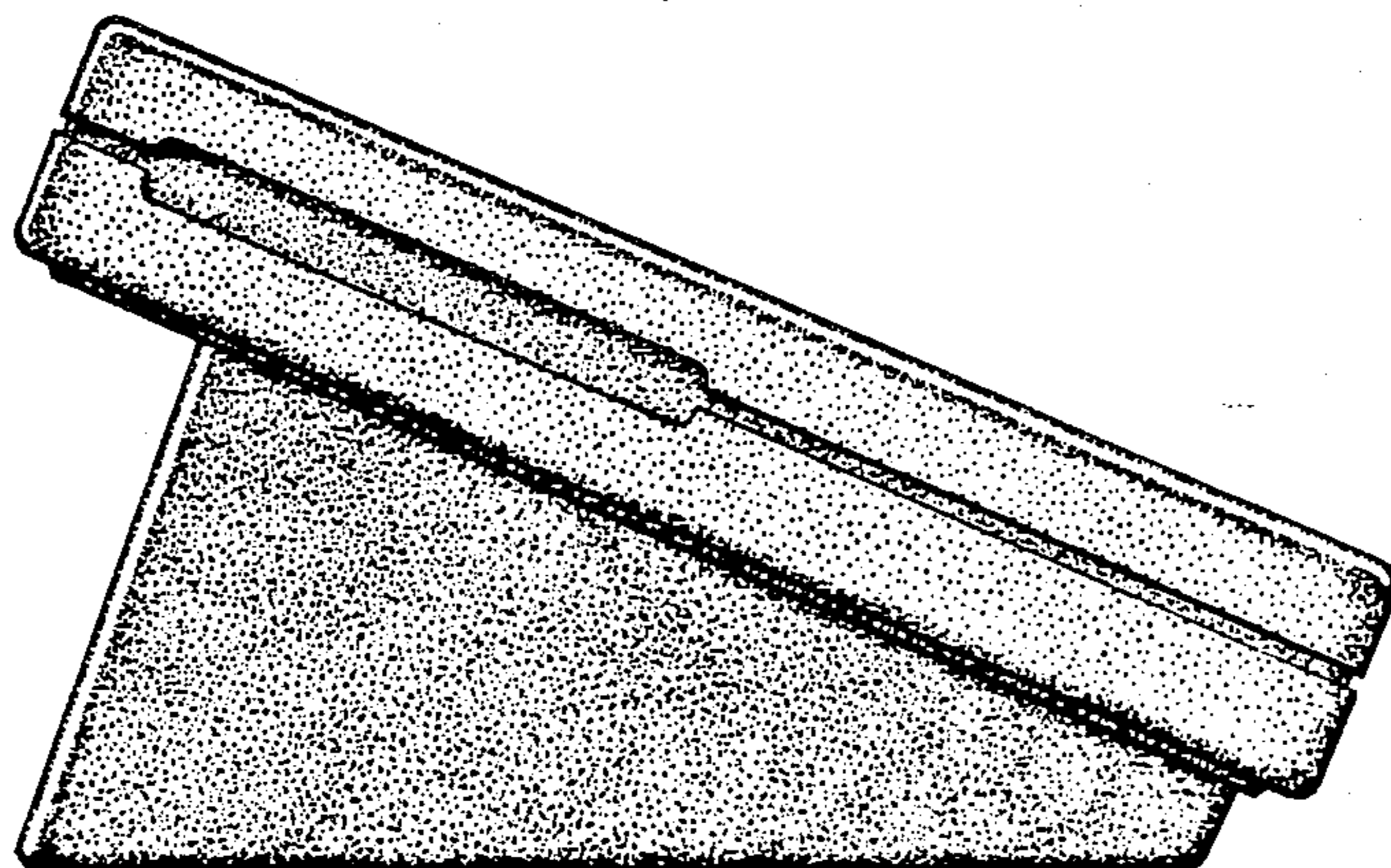


FIG. 6

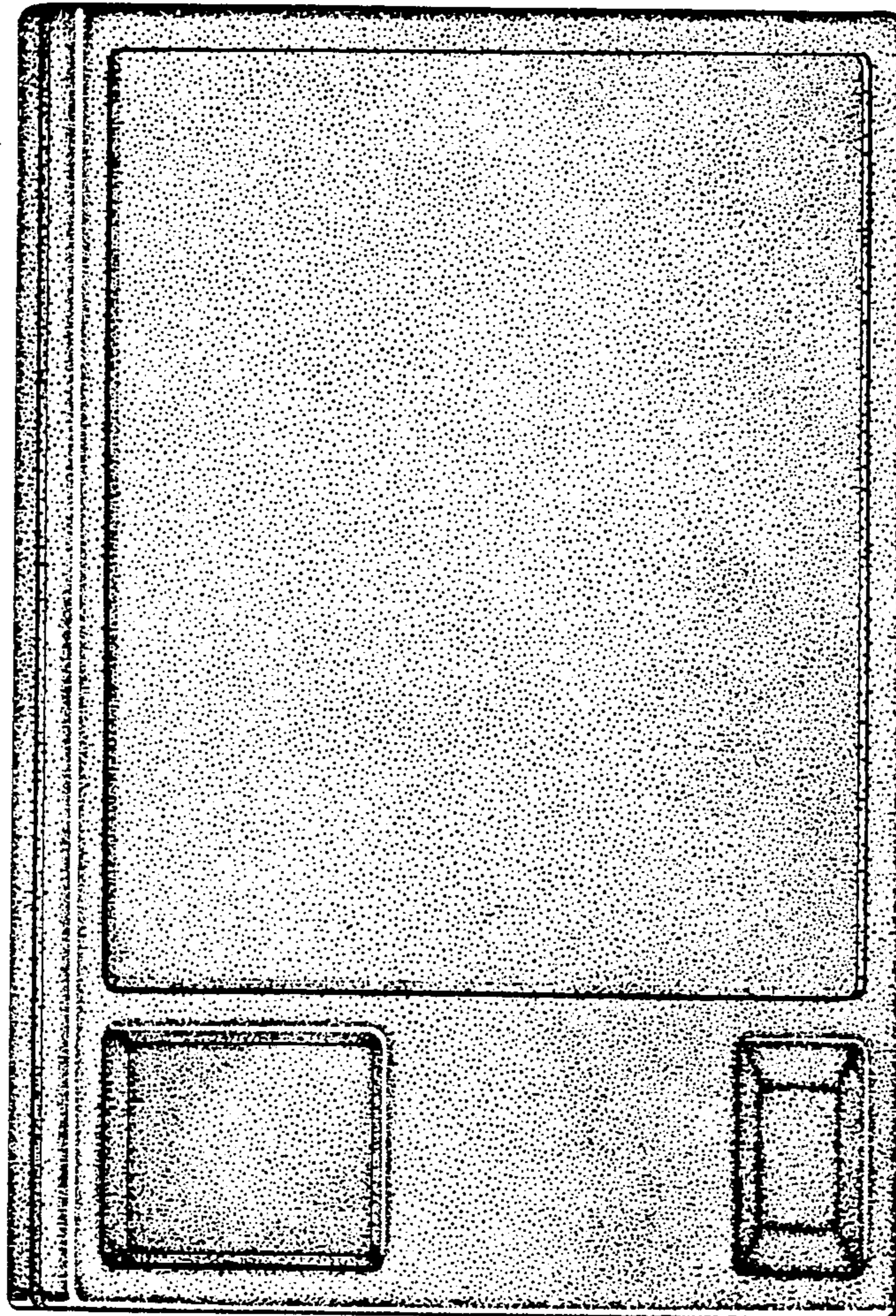


FIG. 7

