

[54] **CURRENT TRANSFORMER**

[75] **Inventors: David N. Makinson, Franklin, N.C.;
Karl W. Struck, Clayton, Ga.**

[73] **Assignee: Sangamo Weston, Inc., Norcross, Ga.**

[**] **Term: 14 Years**

[21] **Appl. No.: 928,375**

[22] **Filed: Nov. 10, 1986**

Related U.S. Application Data

[62] **Division of Ser. No. 595,178, Mar. 30, 1984, Pat. No. Des. 288,314.**

[52] **U.S. Cl. D13/4**

[58] **Field of Search D13/2, 3, 4, 11;
336/83, 90, 92, 94, 96, 174-176**

[56] **References Cited**

U.S. PATENT DOCUMENTS

35,619 1/1902 Apple D13/3
104,627 5/1937 Hitchcock et al. 74/44

D. 215,447	9/1969	Canney	D13/4
219,597	12/1970	Smith	D13/2
D. 244,204	5/1977	Briggs et al.	D13/4
260,635	9/1981	Lockwood	D13/4
2,948,871	8/1960	Craige	336/83
3,264,591	8/1966	D'Entremont	336/174
3,423,709	1/1969	Lugten	336/83
3,480,896	11/1969	Neuman	336/83

Primary Examiner—Wallace R. Burke
Assistant Examiner—Ruth Takemoto
Attorney, Agent, or Firm—Dale Gaudier

[57] **CLAIM**

The ornamental design for a current transformer, as shown.

DESCRIPTION

FIG. 1 is a perspective view of a current transformer showing our new design;
FIG. 2 is a rear elevational view thereof;
FIG. 3 is a side elevational view thereof, the opposite side being a mirror image; and
FIG. 4 is a bottom plan view thereof.

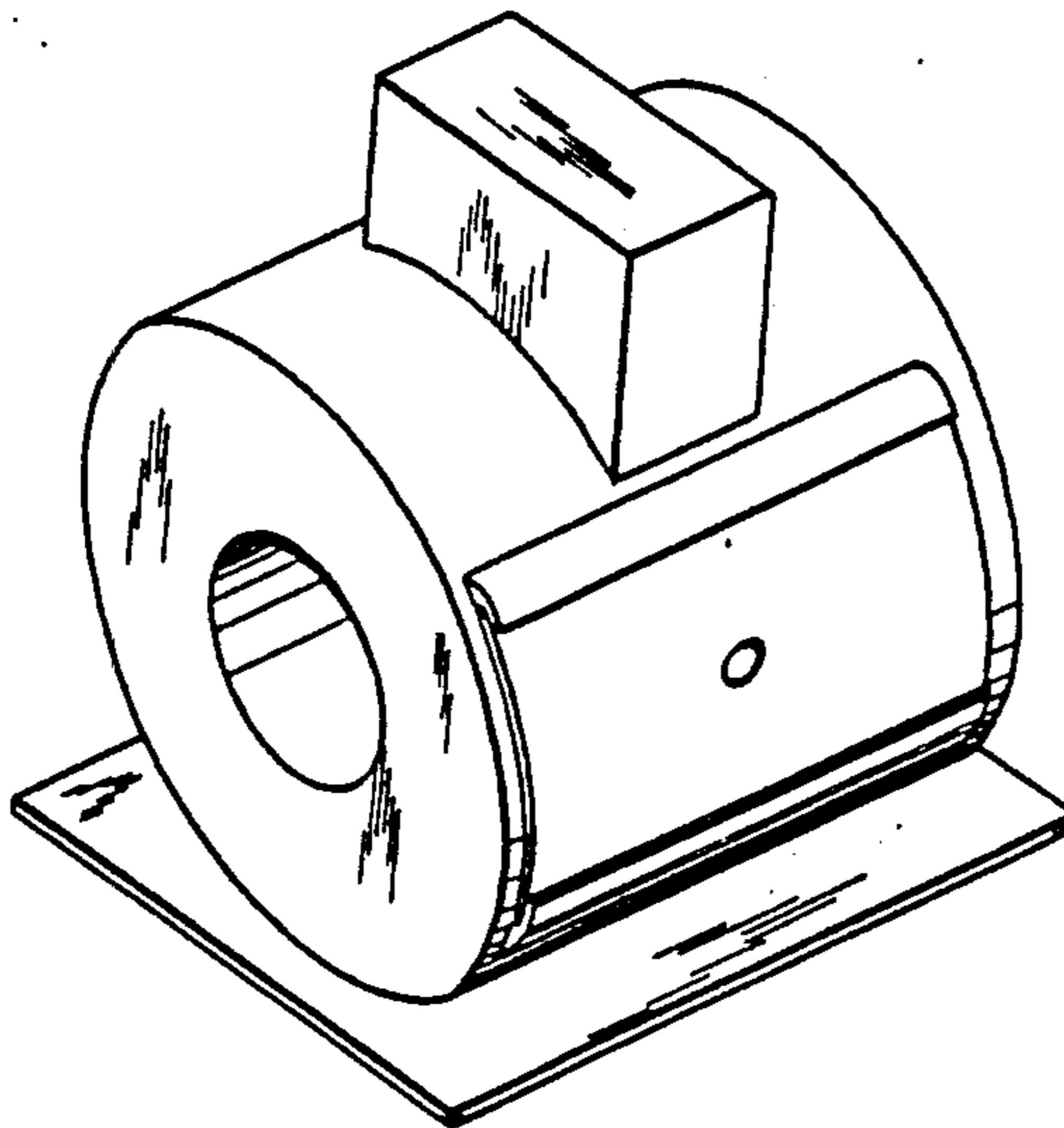


FIG. 1

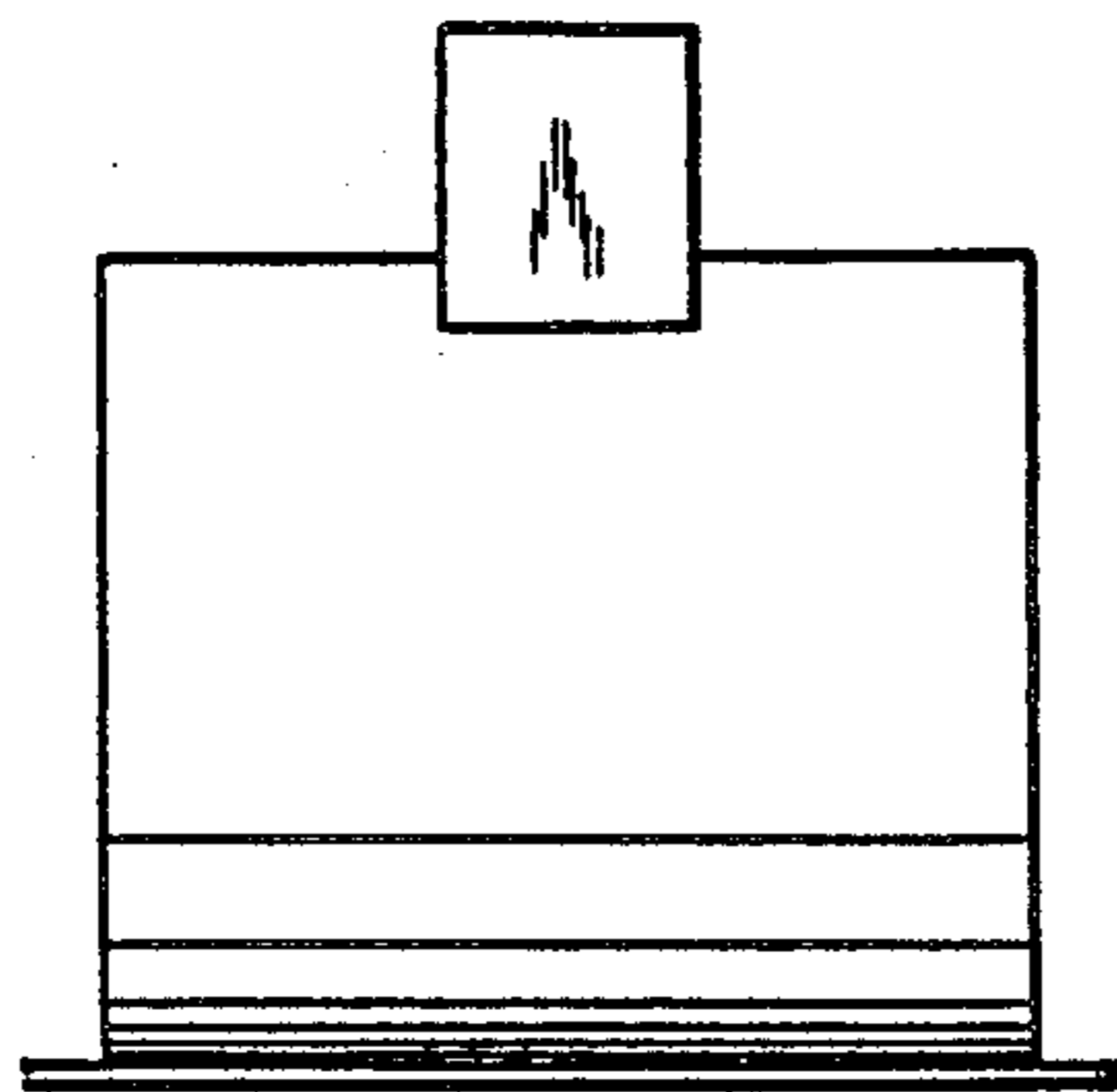
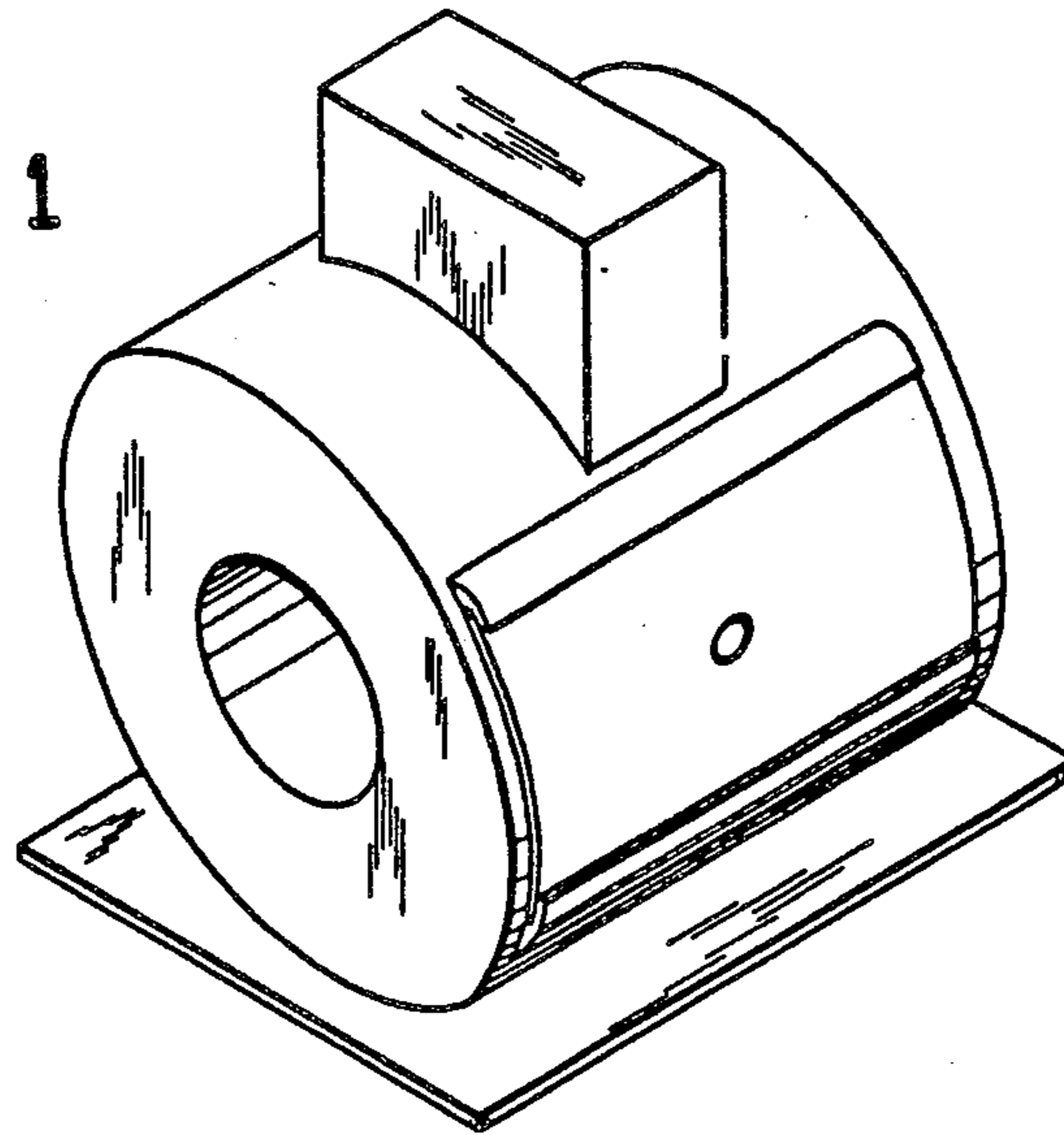


FIG. 2

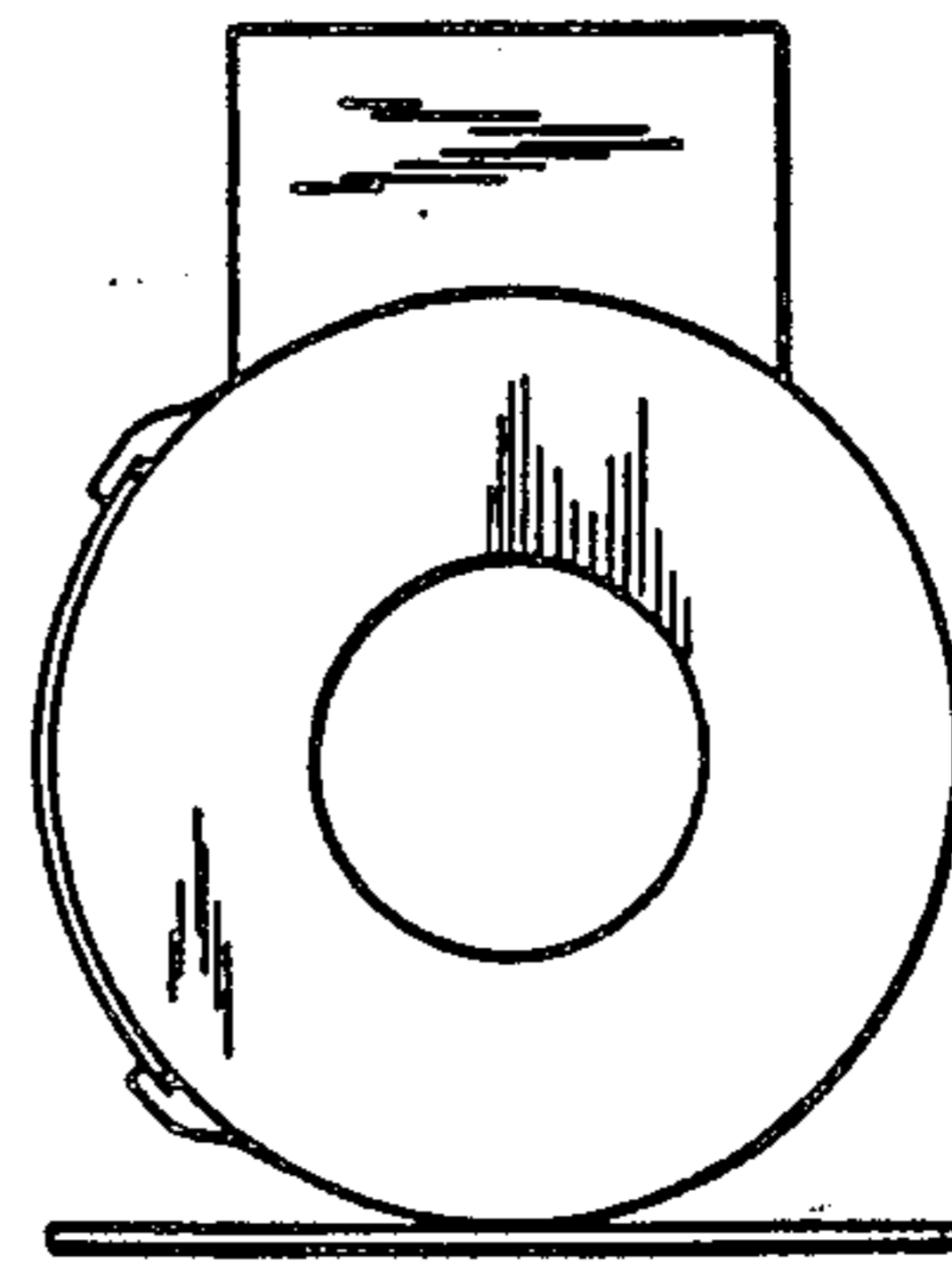


FIG. 3

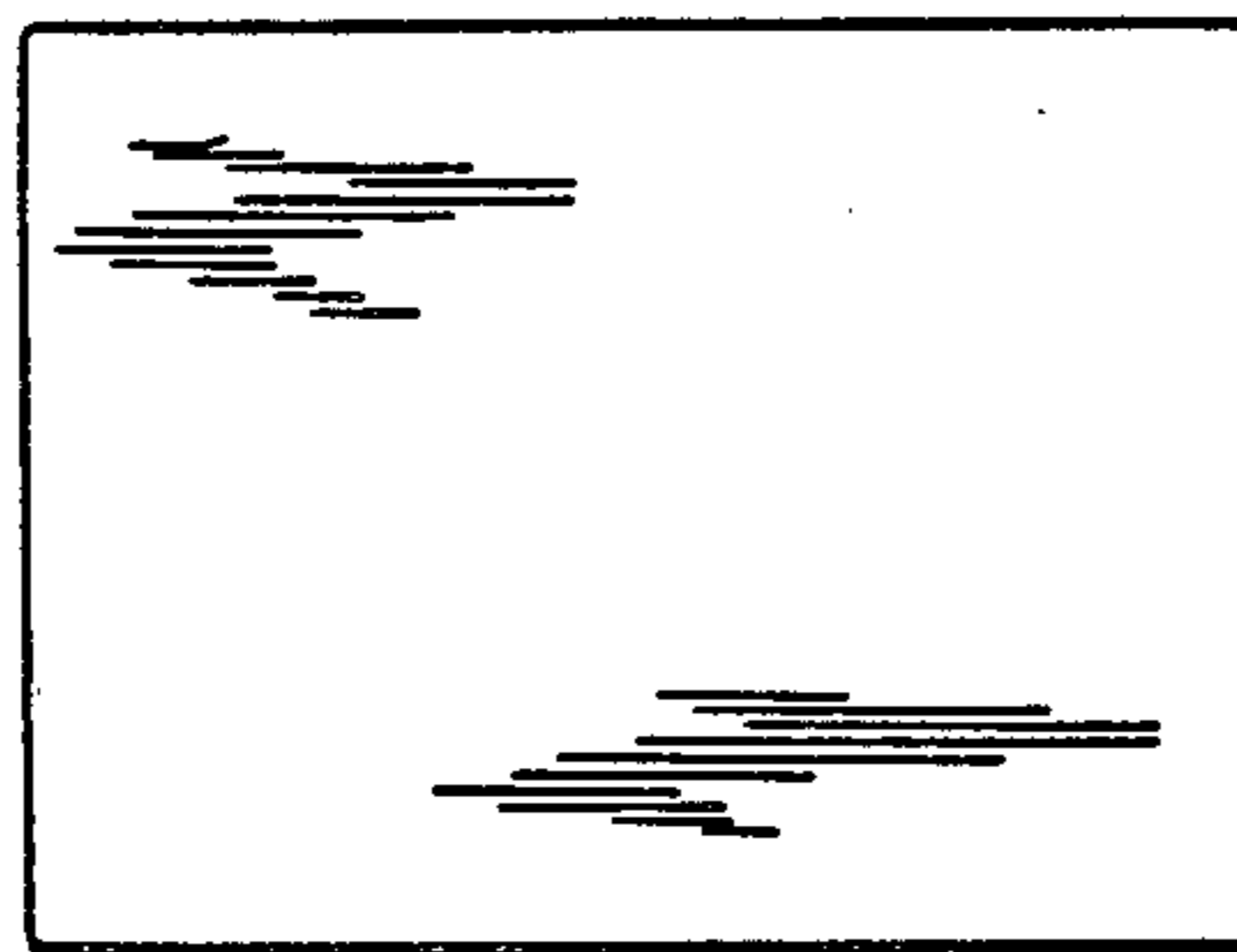


FIG. 4