

[54] **THERMOMETER**

[76] **Inventor: Brendon G. Nunes, 1035 Toy Avenue, Unit 6, Pickering, Ontario, Canada, L1W 3N9**

[**] **Term: 14 Years**

[21] **Appl. No.: 41,358**

[22] **Filed: Apr. 23, 1987**

[52] **U.S. Cl. D10/57; D10/98; D10/126; 116/334**

[58] **Field of Search D10/2, 6, 57, 60, 67, D10/74, 98, 122-126; 374/142; 116/295, 334; 73/170 R, 178 R, 178 H, 178 T, 181-183, 384**

[56] **References Cited**

U.S. PATENT DOCUMENTS

D. 61,021	5/1922	Schlaich	D10/126 X
D. 153,217	3/1949	Hansen	D10/126
D. 203,760	2/1966	Morris	D10/124
D. 238,209	12/1975	Alexander	D10/123 X
D. 252,370	7/1979	Chojna	D10/98 X
D. 288,412	2/1987	Nunes	D10/6
2,810,362	10/1957	Lindheim	D10/98
3,033,035	5/1962	Snodgrass	73/178 T

3,276,418	10/1966	Harris	116/334
3,686,944	8/1972	Mollick	73/182
3,745,823	7/1973	Hunter	73/182
3,807,350	4/1974	Powell	116/300
3,958,529	5/1976	Morris	116/334 X
4,020,787	5/1977	Castro	73/178 J X
4,091,667	5/1978	Anderson et al.	73/17 R
4,170,132	10/1979	Serley	73/178 T
4,463,355	7/1984	Schultz et al.	340/971
4,617,826	10/1986	Hagen	73/182

FOREIGN PATENT DOCUMENTS

60340	6/1912	Switzerland	116/334
1152594	2/1958	France	73/384
728349	10/1980	U.S.S.R.	72/366

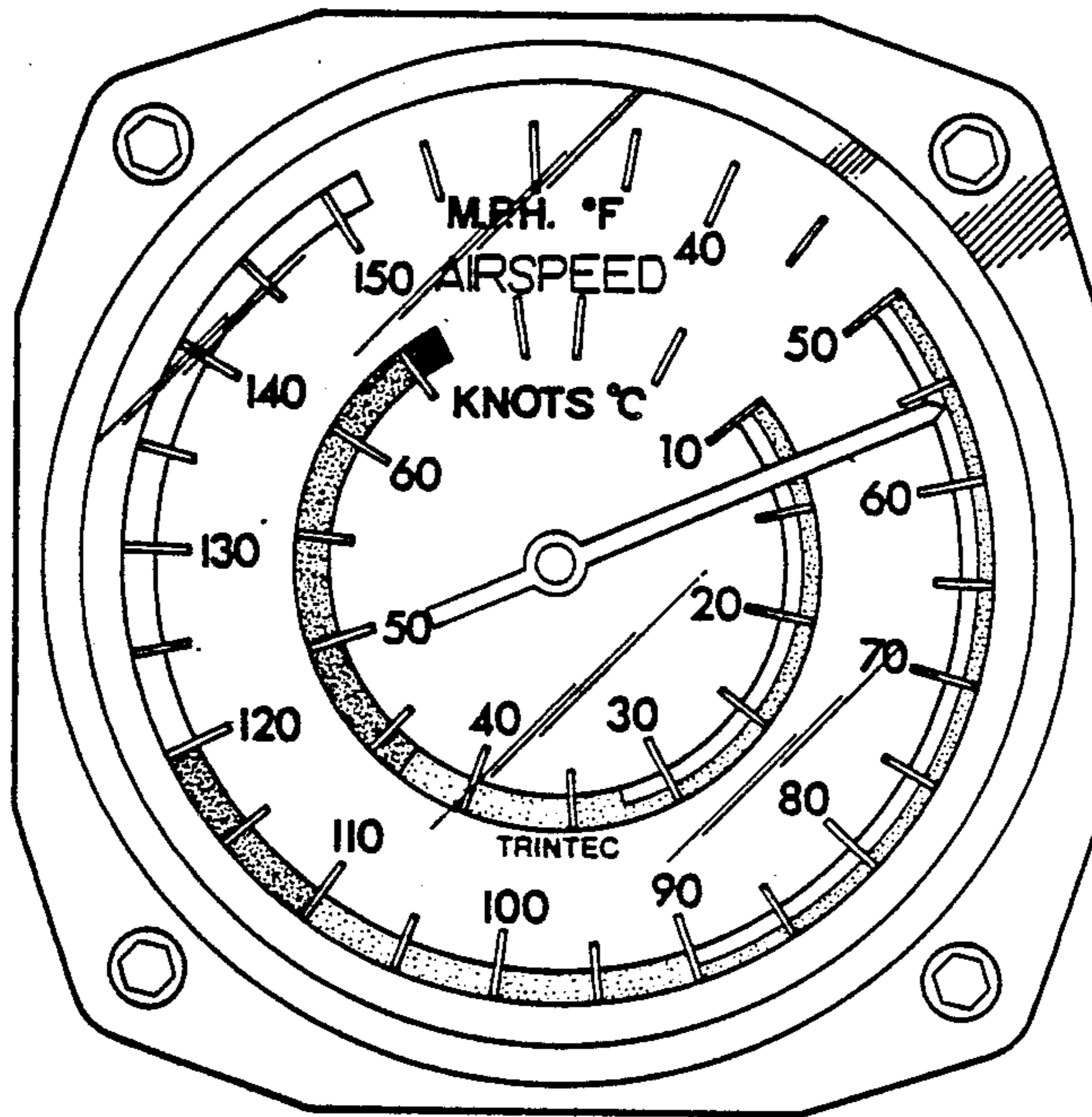
Primary Examiner—Nelson C. Holtje
Attorney, Agent, or Firm—Nixon & Vanderhye

[57] **CLAIM**

The ornamental design for a thermometer, as shown and described.

DESCRIPTION

FIG. 1 is a front elevational view of a thermometer, showing my new design;
 FIG. 2 is a typical side elevational view thereof;
 FIG. 3 is a rear elevational view thereof.



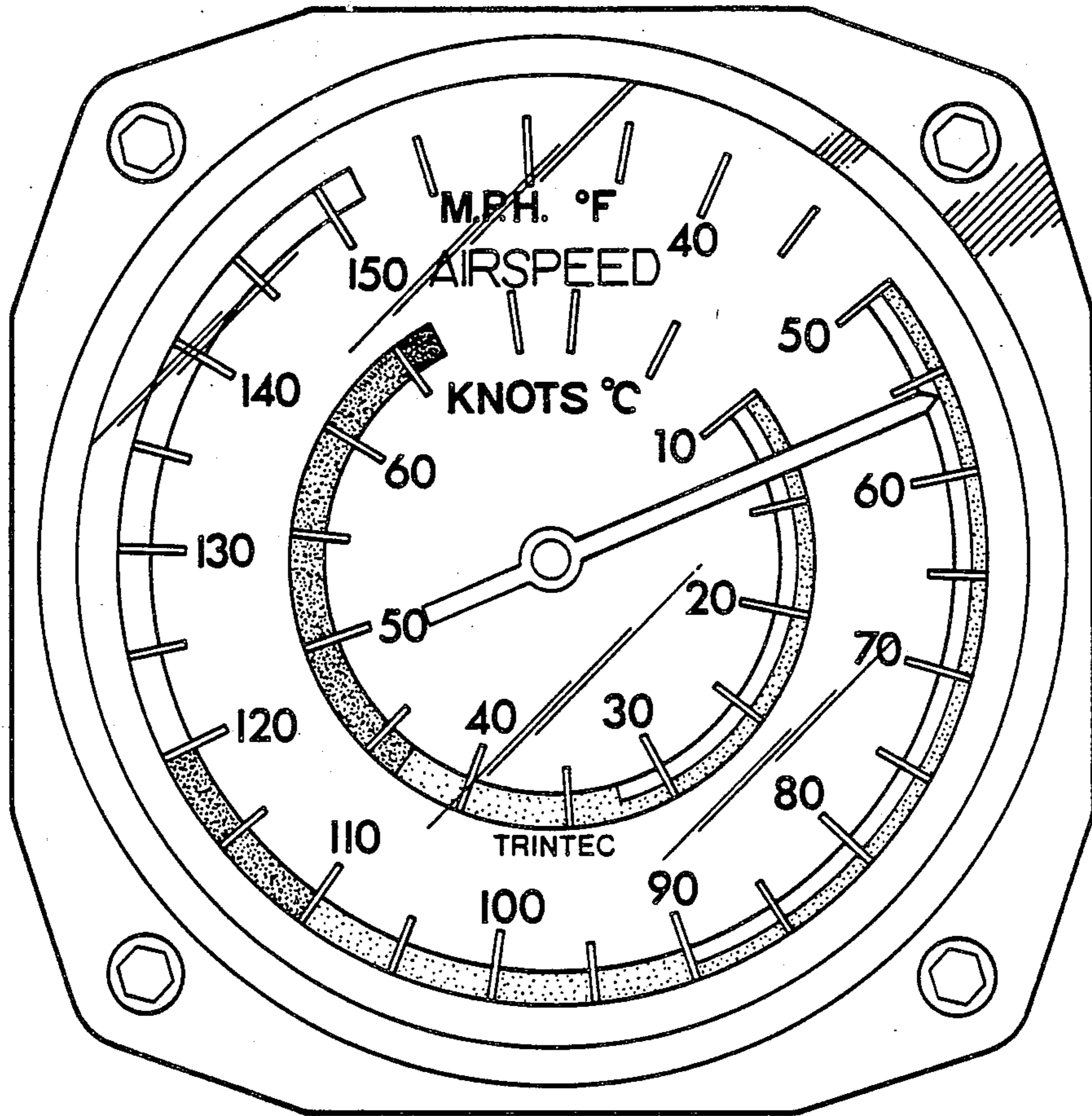


FIG. 1

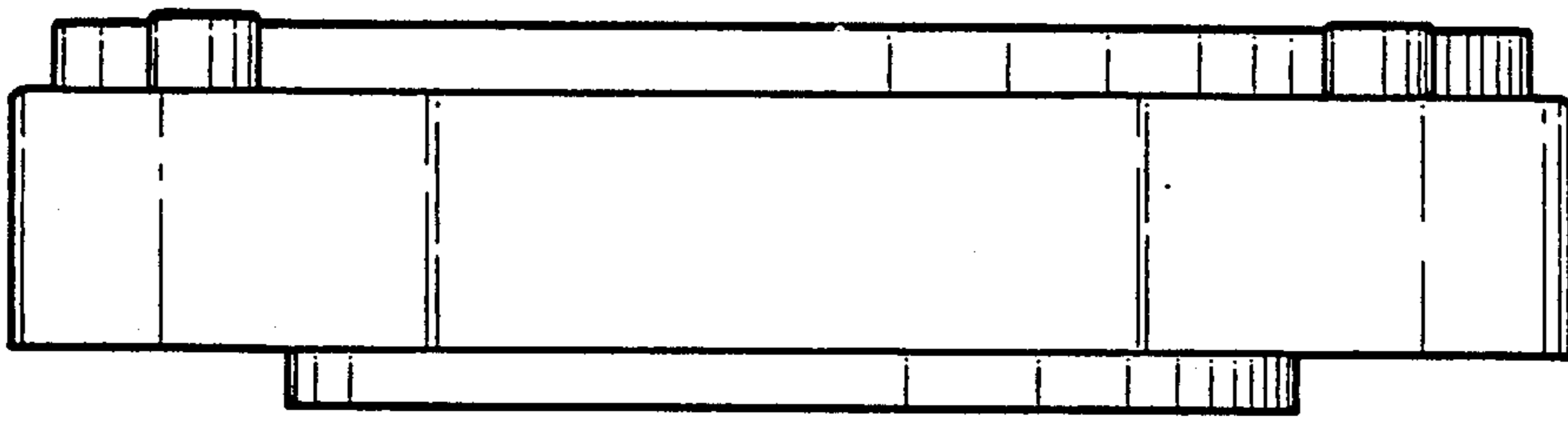


FIG. 2

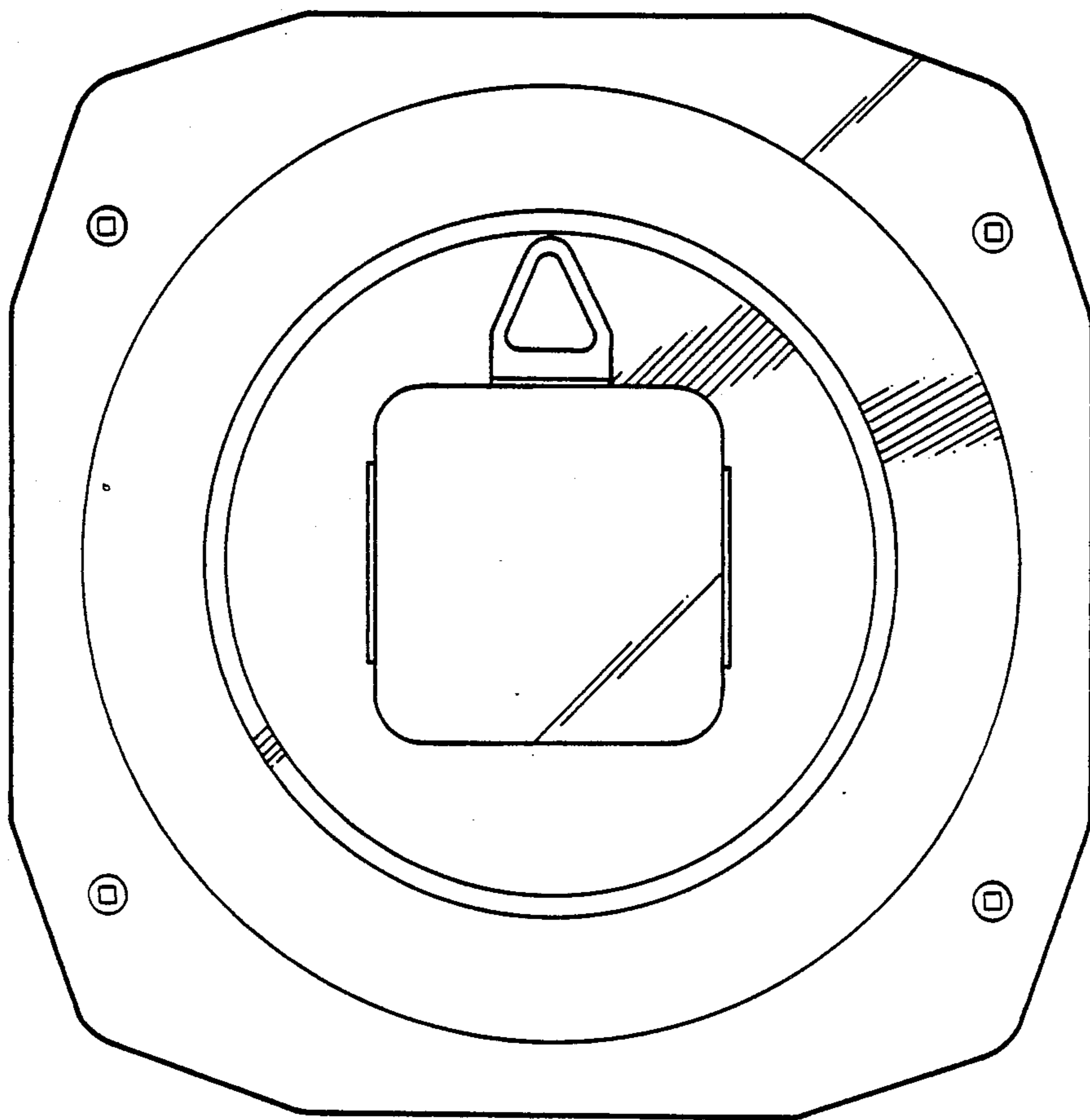


FIG. 3