

[54] CONTROLLER FOR AN ENERGY MANAGEMENT SYSTEM

[75] Inventors: Robert W. Bonnema, Mound; Robert C. Knutson, Minnetonka; Ralph E. Pasqualette, Jordan, all of Minn.

[73] Assignee: Honeywell Inc., Minneapolis, Minn.

[**] Term: 14 Years

[21] Appl. No.: 786,015

[22] Filed: Oct. 10, 1985

[52] U.S. Cl. D10/50; D13/12

[58] Field of Search D13/12, 35, 40-41, D13/99; D10/46, 50, 52; 222/54; 236/44 C, 46 R, 91 R, 94, DIG. 8, DIG. 13, DIG. 14, DIG. 19; 337/301, 303-304, 327

[56] References Cited

U.S. PATENT DOCUMENTS

- D. 166,538 4/1952 Hughes, Jr. et al. D10/50
- D. 264,189 5/1982 Crawford et al. D10/50

- D. 271,086 10/1983 Odom D10/50
- D. 273,466 4/1984 Lawrence et al. D10/50
- D. 288,785 3/1987 Levine D10/50
- 4,669,030 5/1987 Bannister 361/380

Primary Examiner—Wallace R. Burke
Assistant Examiner—Ruth Takemoto
Attorney, Agent, or Firm—Charles G. Mersereau

[57] CLAIM

The ornamental design for a controller for an energy management system, substantially as shown and described.

DESCRIPTION

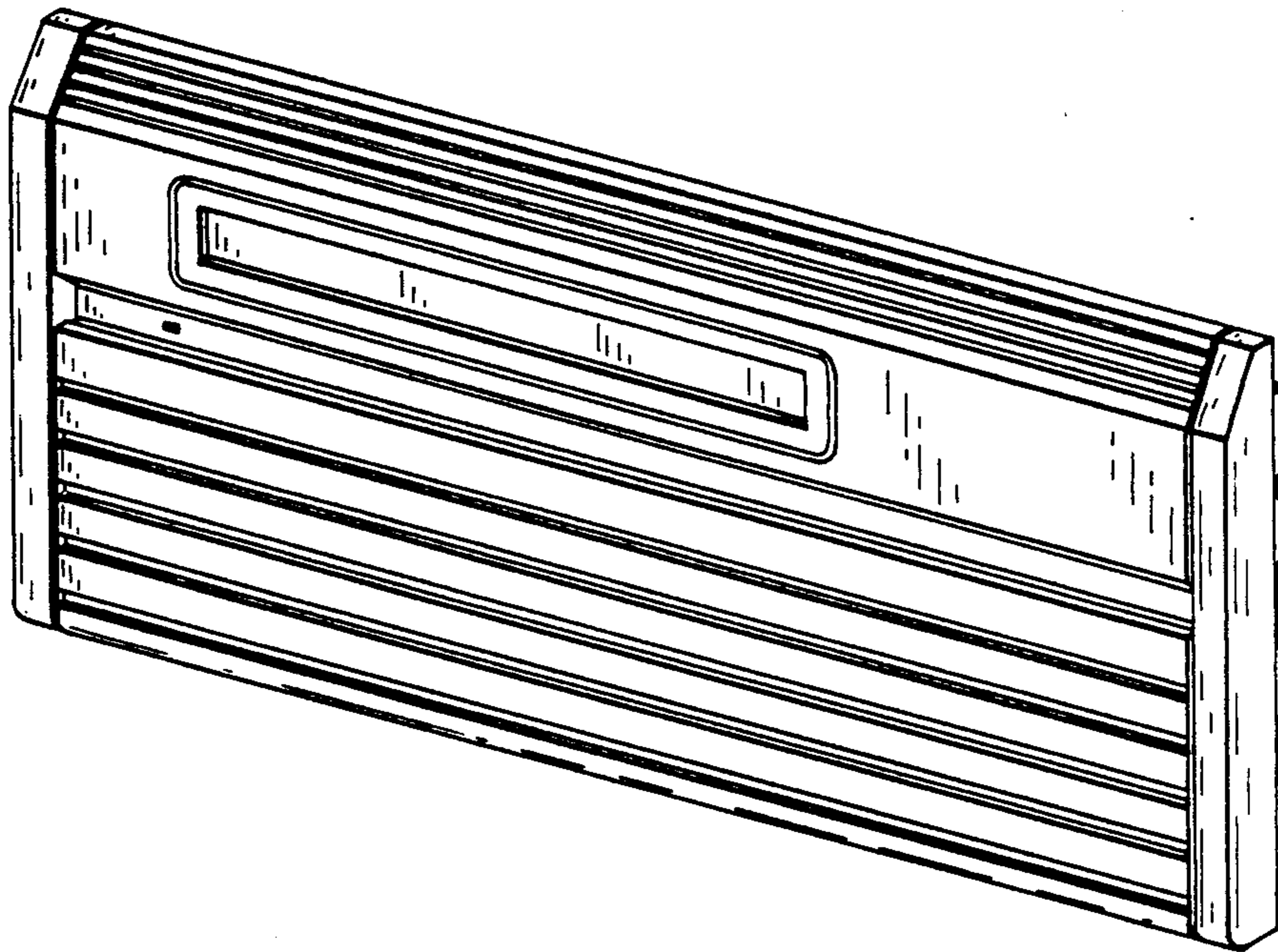
FIG. 1 is a top, front and right side perspective view of a controller for an energy management system showing our new design.

FIG. 2 is a top plan view thereof;

FIG. 3 is a bottom plan view thereof; and

FIG. 4 is a side elevational view thereof.

The undisclosed rear is substantially flat and unornamented.



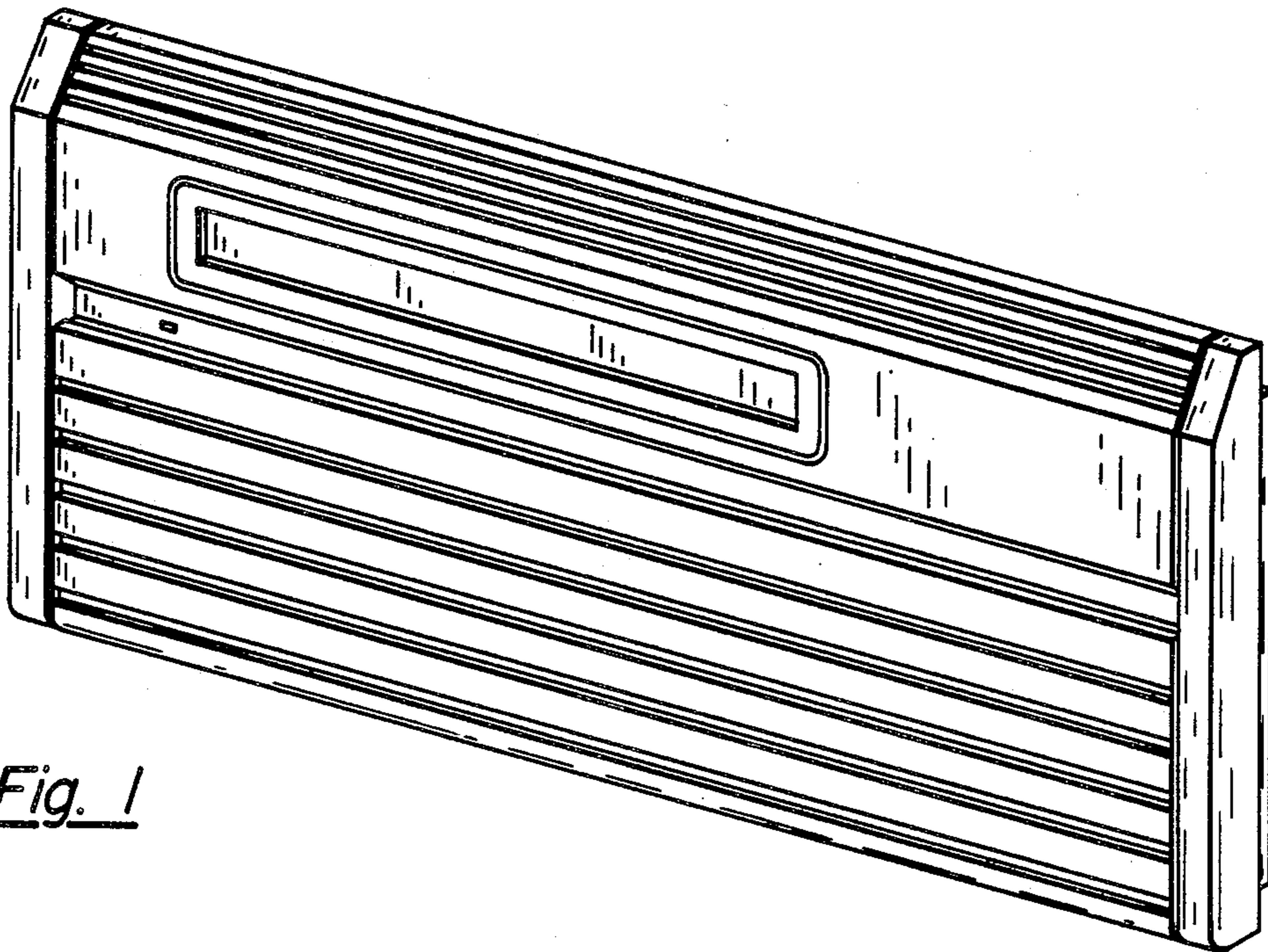


Fig. 1

Fig. 2

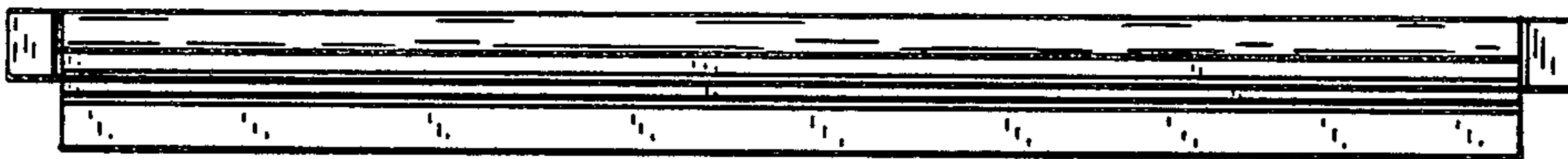
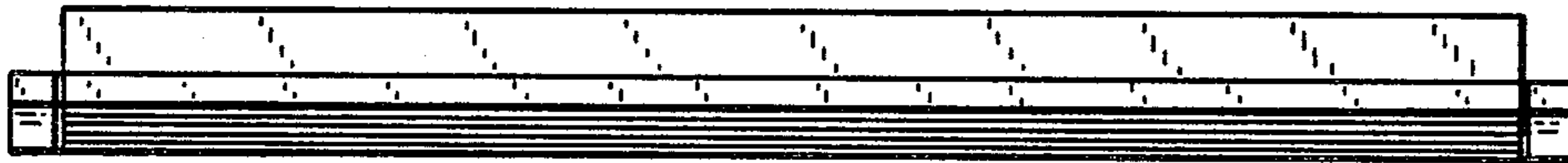


Fig. 3

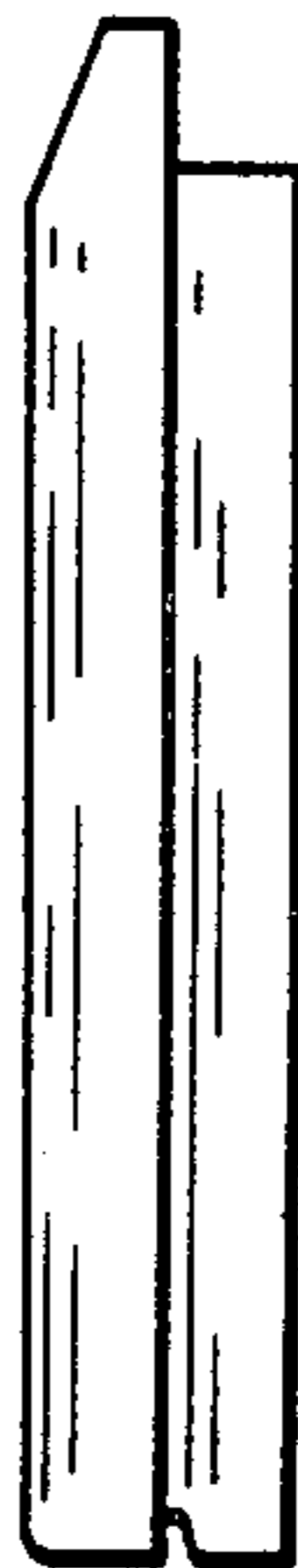


Fig. 4