

[54] **CORKSCREW**

[75] **Inventor: Herbert Allen, Houston, Tex.**

[73] **Assignee: Hallen Company, Houston, Tex.**

[**] **Term: 14 Years**

[21] **Appl. No.: 726,114**

[22] **Filed: Apr. 23, 1985**

[52] **U.S. Cl. D8/43; D8/42**

[58] **Field of Search D8/18, 33, 34, 38, 42,
D8/43; 7/151, 154-155; 81/3.45, 3.29, 3.36,
3.48**

[56] **References Cited**

U.S. PATENT DOCUMENTS

310,766	1/1885	Wilhelm	81/3.29
4,253,351	3/1981	Allen .	
4,276,789	7/1981	Allen .	
4,291,597	9/1981	Allen .	
4,377,096	3/1983	Allen .	
4,429,444	2/1984	Allen .	
4,437,359	3/1984	Dejoux et al.	7/154 X

OTHER PUBLICATIONS

The Wonderful Screwpull, brochure by Hallen Company, Sep. 1981.

Primary Examiner—Bernard Ansher
Assistant Examiner—Terry Pfeffer
Attorney, Agent, or Firm—Browning, Bushman,
Zamecki & Anderson

[57] **CLAIM**

The ornamental design for a corkscrew, as shown and described.

DESCRIPTION

FIG. 1 is a top plan view of a corkscrew showing my new design;
FIG. 2 is a front elevational view thereof;
FIG. 3 is a right side elevational view thereof;
FIG. 4 is a left side elevational view thereof;
FIG. 5 is a bottom plan view thereof;
FIG. 6 is a front elevational view thereof, shown in a storage position;
FIG. 7 is a right side elevational view thereof, shown in a storage position;
FIG. 8 is a top plan view thereof, shown in a storage position; and,
FIG. 9 is a bottom plan view thereof, shown in a storage position.

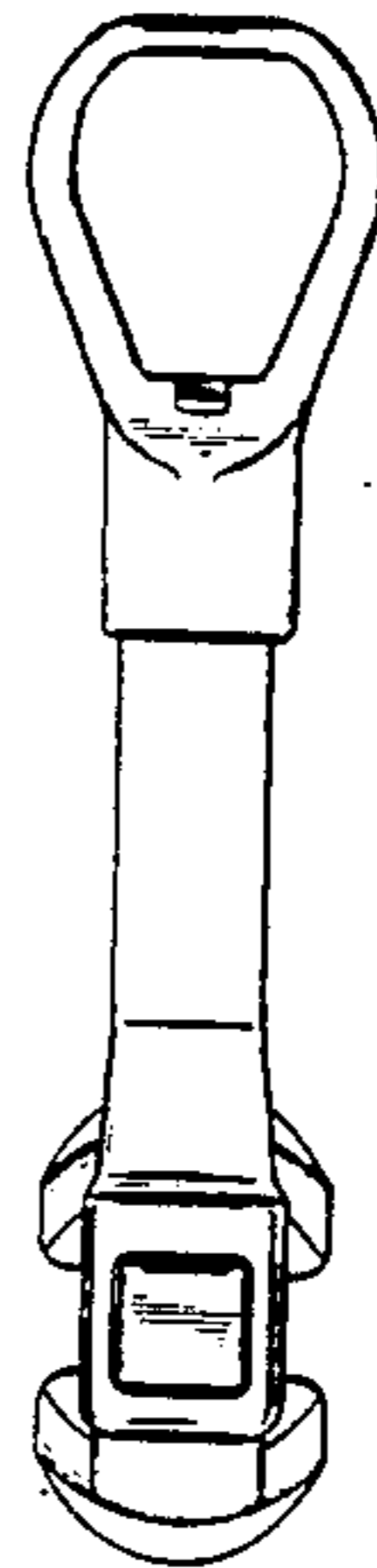
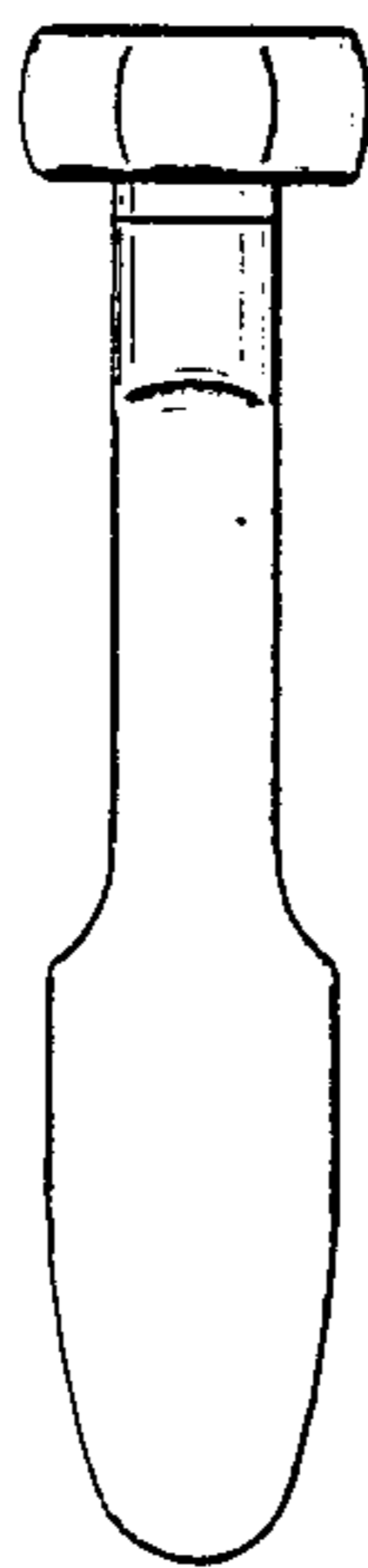


FIG. 1

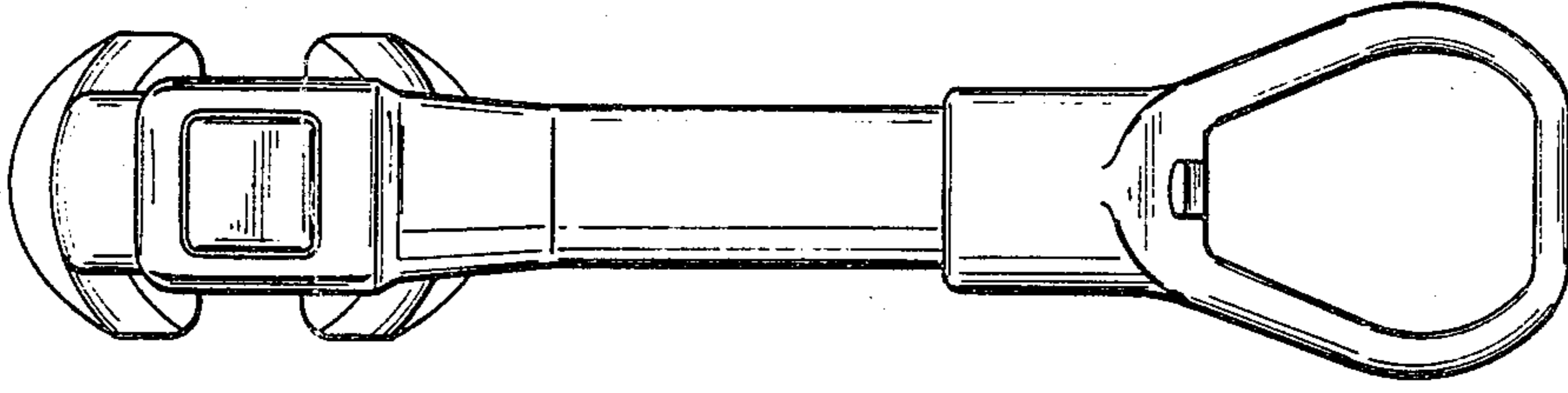


FIG. 2

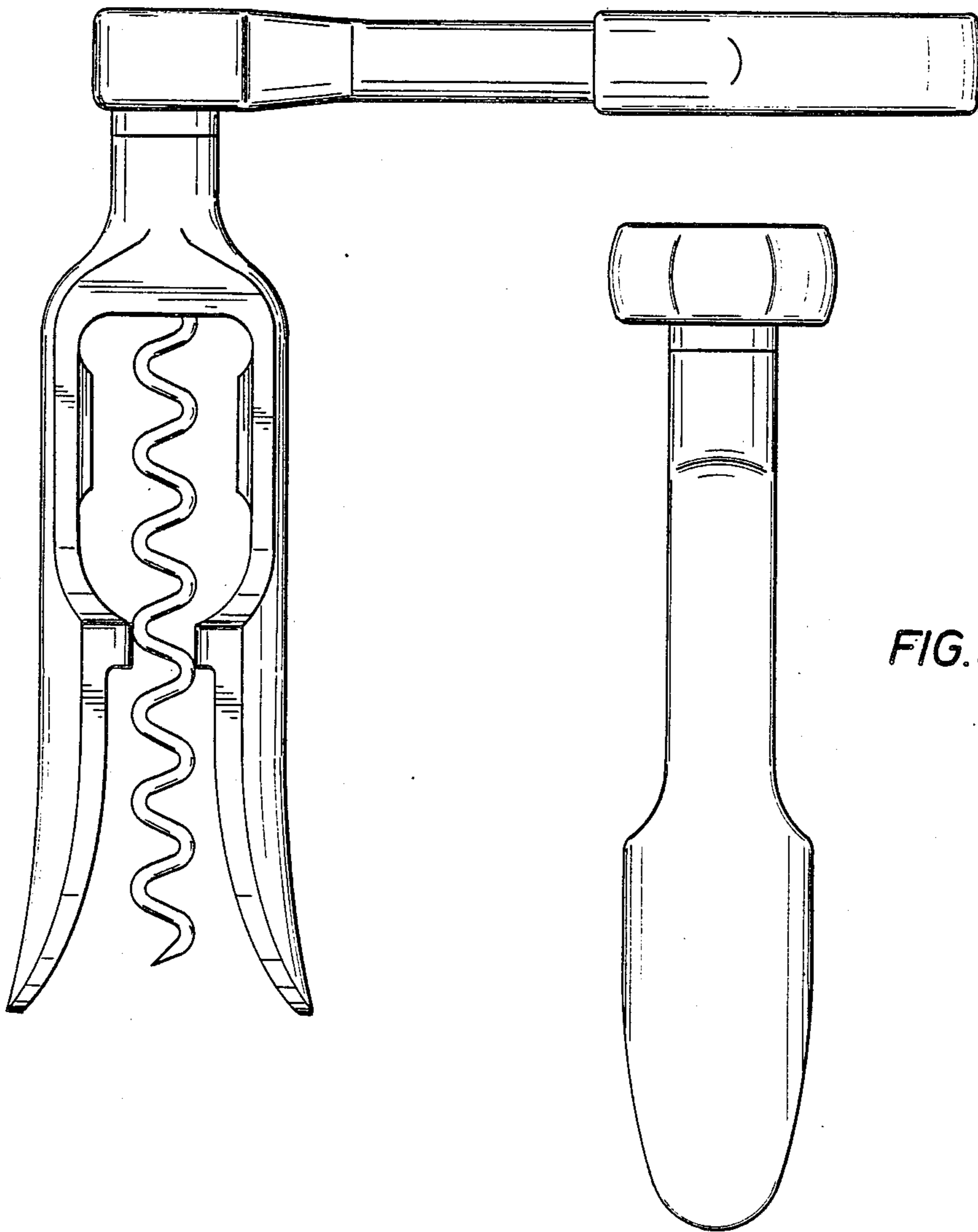
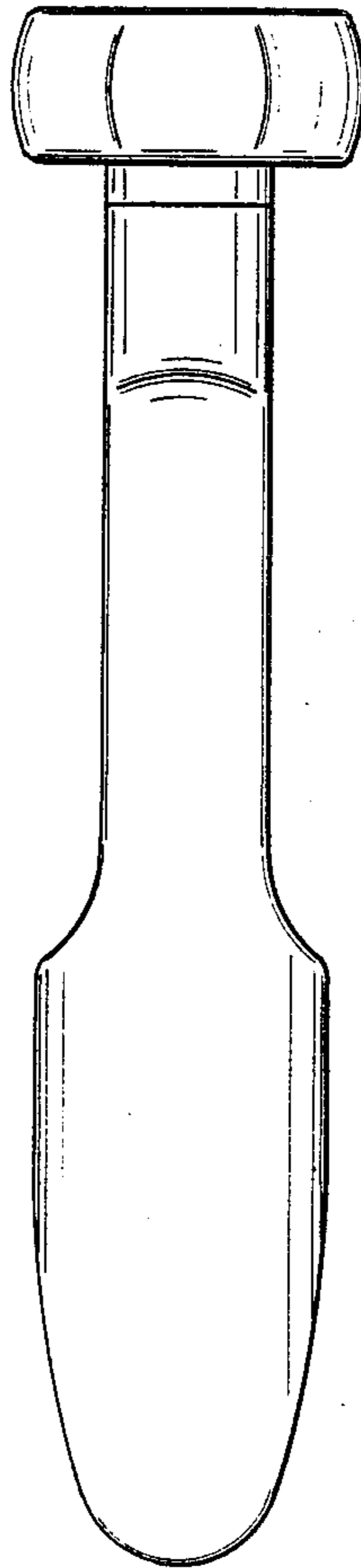


FIG. 3



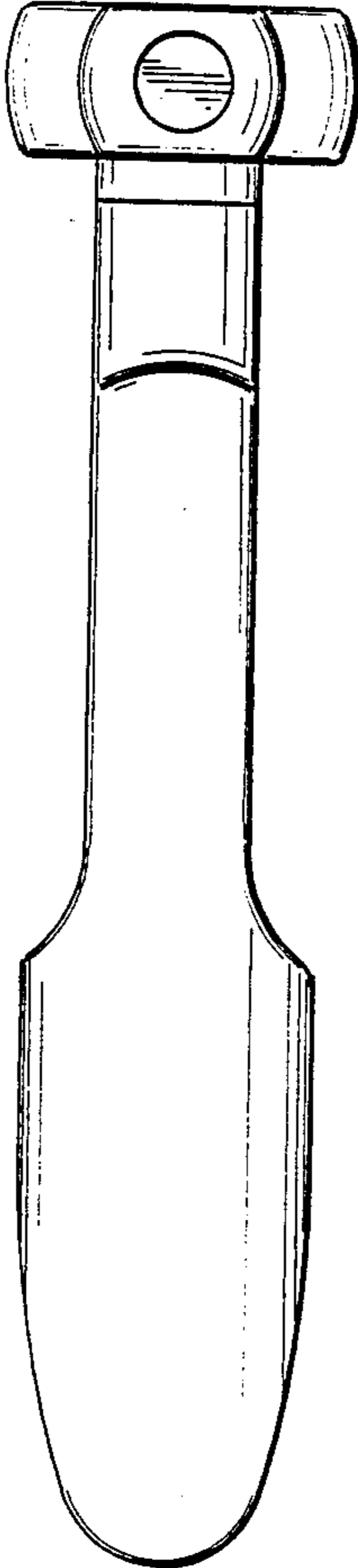


FIG. 4

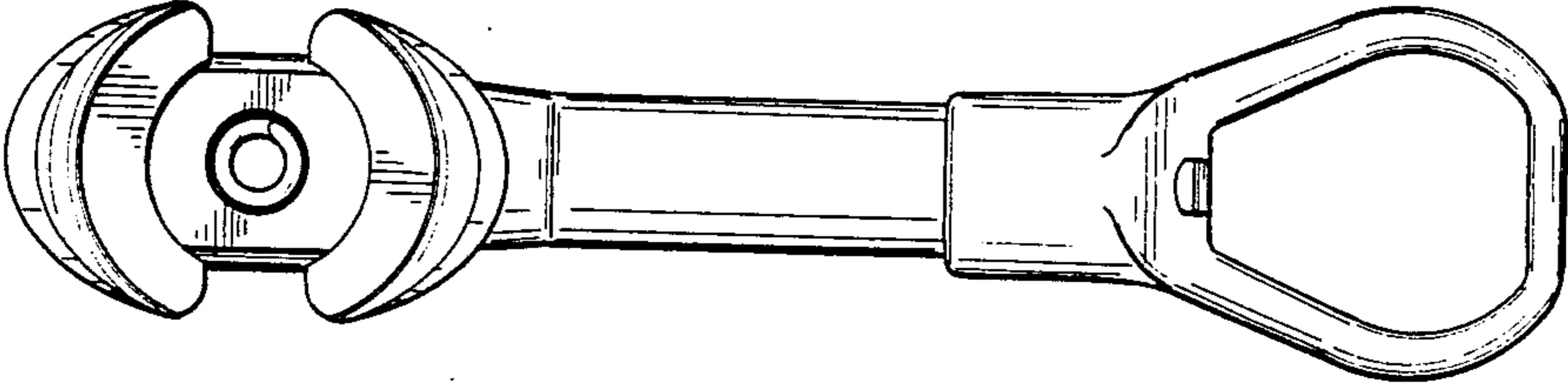


FIG. 5

FIG. 8

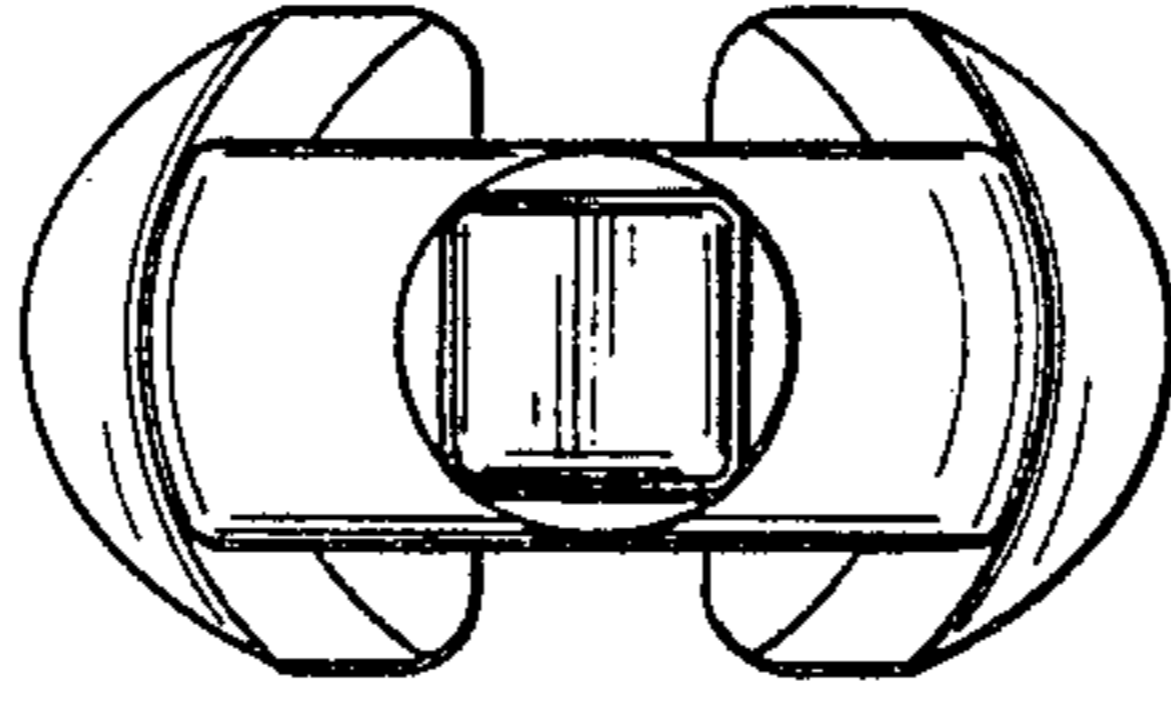


FIG. 6

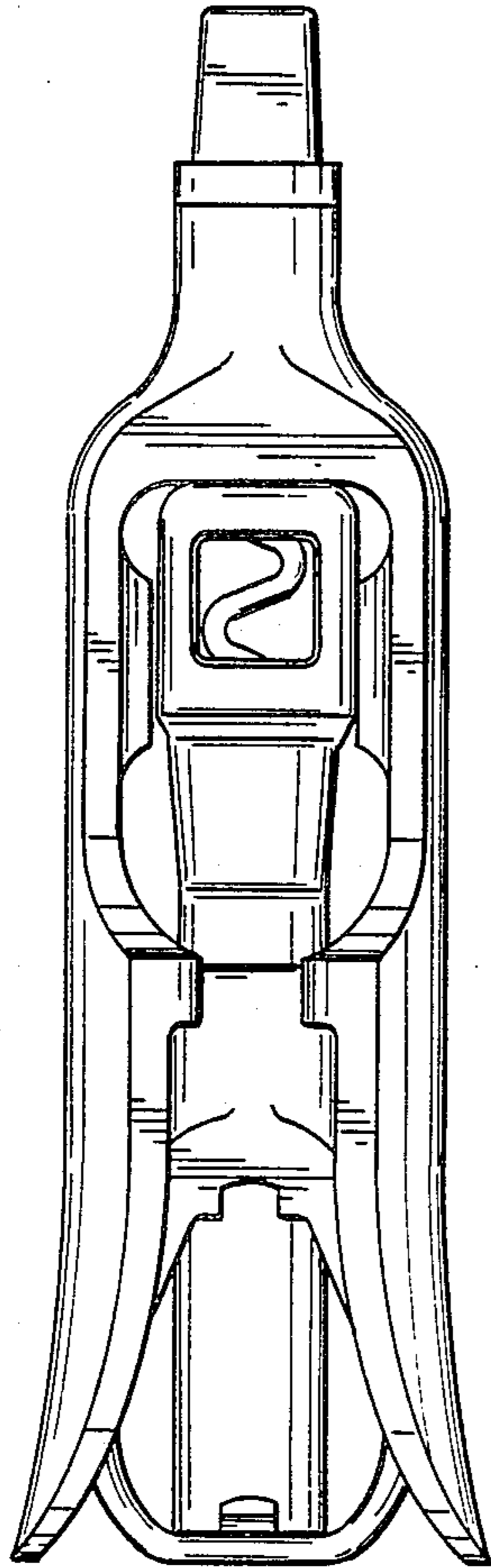


FIG. 7

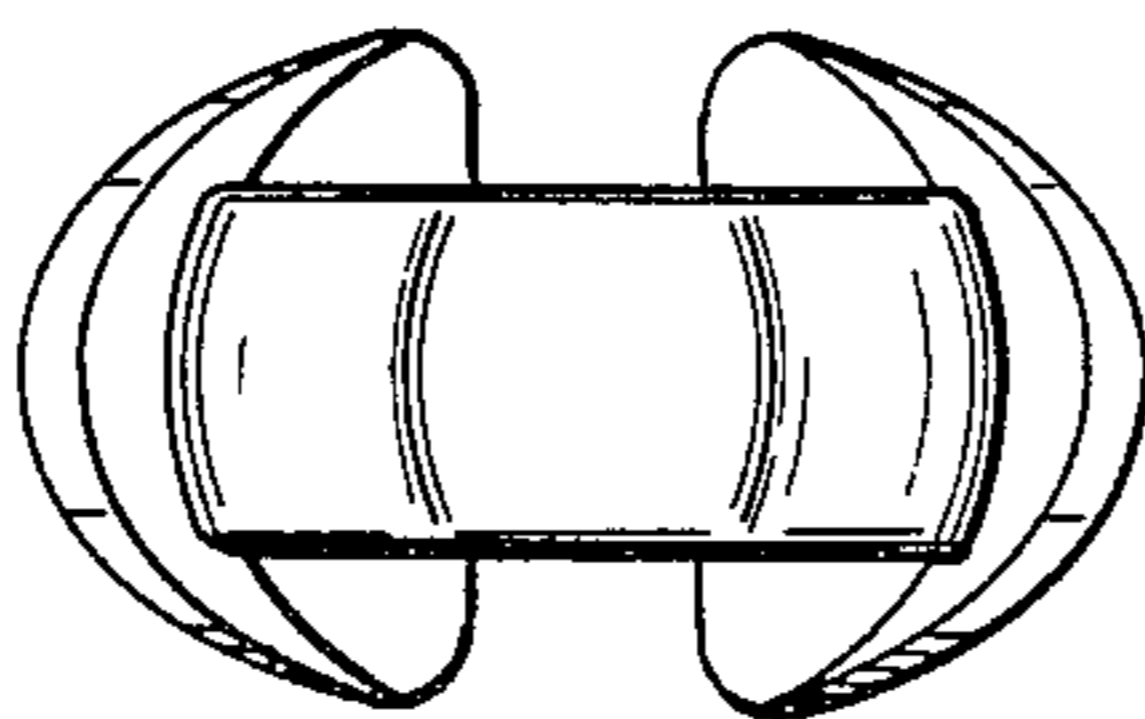
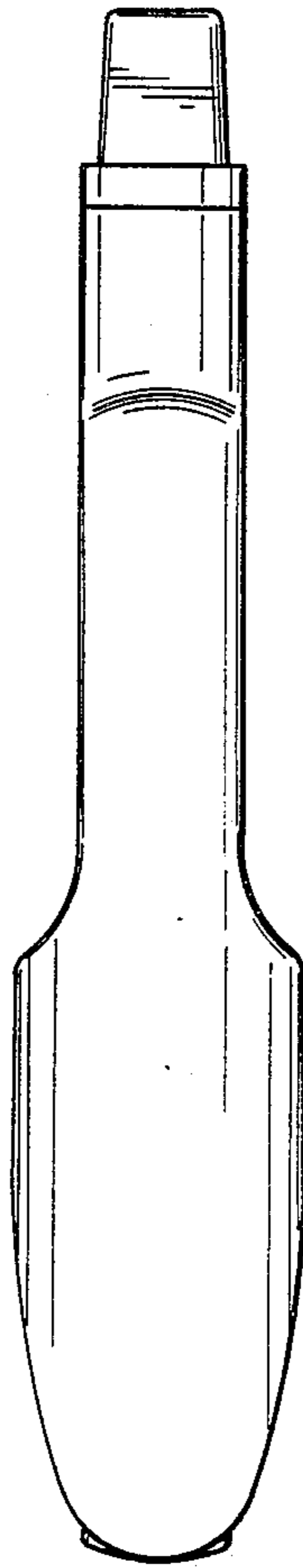


FIG. 9