

United States Patent [19]
Gonzales

[11] **Patent Number: Des. 293,412**
[45] **Date of Patent: ** Dec. 29, 1987**

[54] **SPADE**
[76] **Inventor: Celso S. Gonzales, 245 Bennett Ave., Apt. 3-E, New York, N.Y. 10040**
[**] **Term: 14 Years**
[21] **Appl. No.: 688,823**
[22] **Filed: Jan. 4, 1985**
[52] **U.S. Cl. D8/10**
[58] **Field of Search D8/1, 10, 11; 172/13, 172/16, 371; 294/49, 55.5, 57**

2,800,089 7/1957 Seils 294/49
4,489,795 12/1984 Leidy 294/57 X

Primary Examiner—Wallace R. Burke
Assistant Examiner—Brian N. Vinson
Attorney, Agent, or Firm—Richard L. Miller

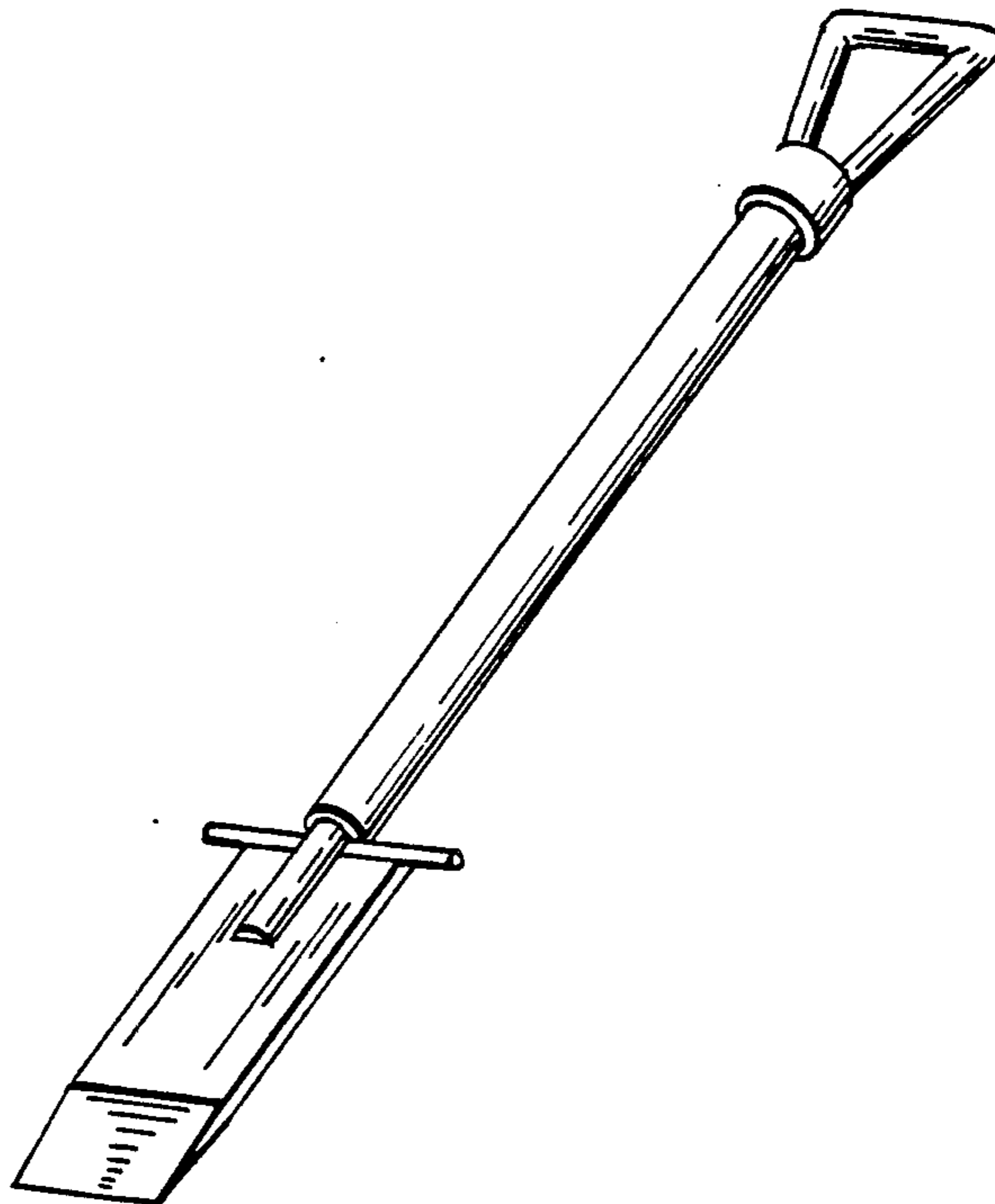
[57] **CLAIM**

The ornamental design for spade, as shown and described.

DESCRIPTION

FIG. 1 a perspective view of a spade showing my new design;
FIG. 2 is a top plan view thereof;
FIG. 3 is a front elevational view thereof the rear being identical in appearance;
FIG. 4 is a side elevational view, the side opposite being identical in appearance; and
FIG. 5 is a bottom plan view thereof.

[56] **References Cited**
U.S. PATENT DOCUMENTS
D. 46,868 1/1915 Makboulia D8/10
84,797 12/1868 Connolly D8/10 X
1,757,925 5/1930 Kirkpatrick 294/49 X
2,704,036 3/1955 Briggs 294/49 X
2,716,538 8/1955 Arrowood 294/49 X



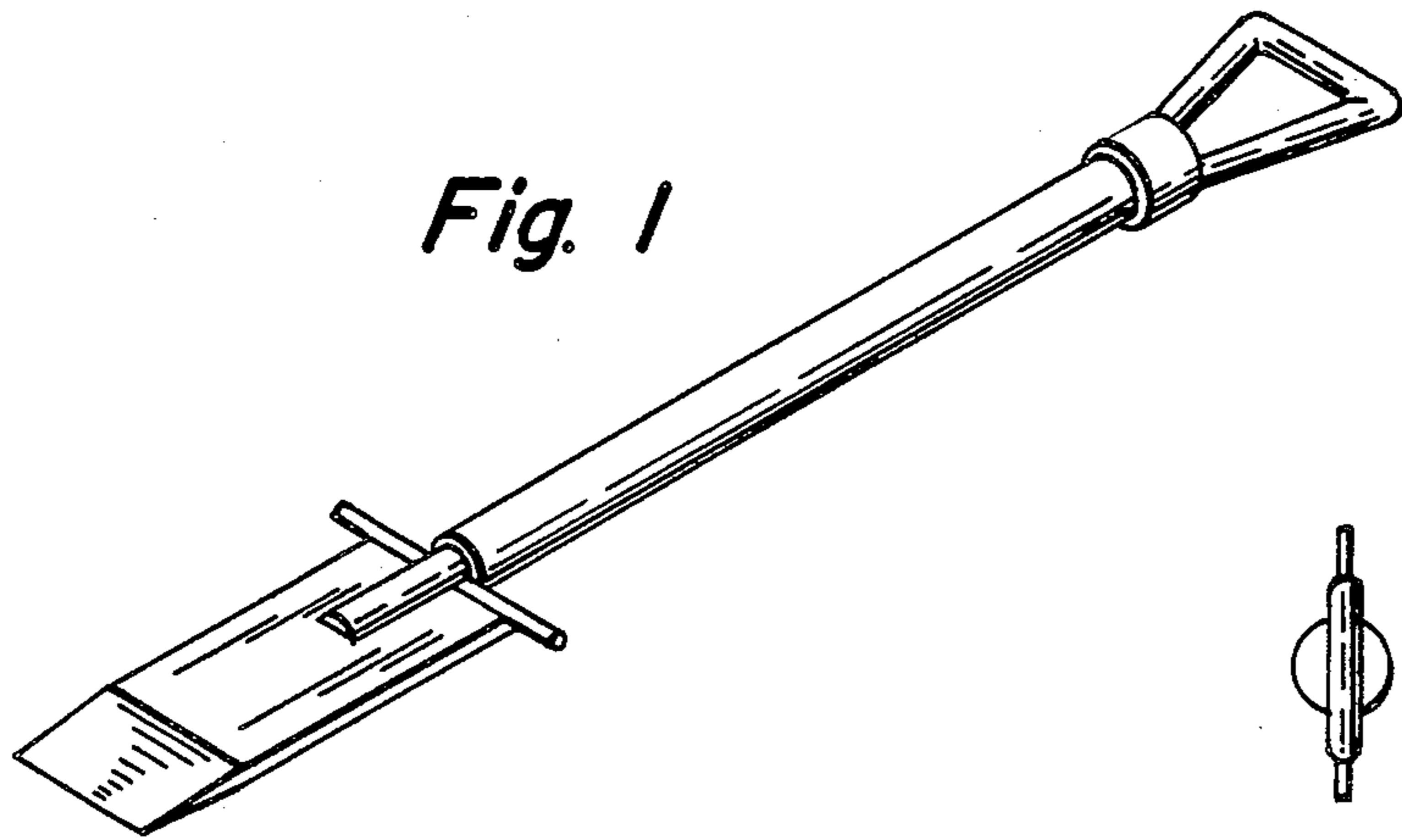


Fig. 2

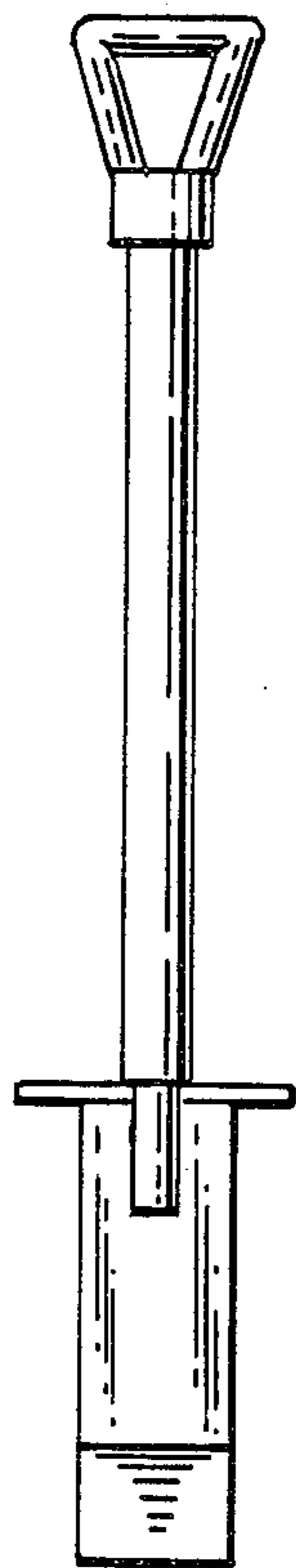


Fig. 3



Fig. 4



Fig. 5