

**United States Patent** [19]  
**Dickey**

[11] **Patent Number: Des. 293,411**

[45] **Date of Patent: \*\* Dec. 29, 1987**

[54] **MEAT TENDERIZER**

[76] **Inventor: Rosalie J. Dickey, 7814 Old Harford Rd., Baltimore, Md. 21234**

[\*\*] **Term: 14 Years**

[21] **Appl. No.: 632,647**

[22] **Filed: Jul. 20, 1984**

[52] **U.S. Cl. .... D7/382; D7/381**

[58] **Field of Search .... D7/381, 382; 17/25, 17/26**

2,163,123 6/1939 Huse ..... 17/26  
2,346,686 4/1944 Jackson ..... 17/26  
2,450,688 10/1948 Richard ..... 17/26  
3,222,712 12/1965 Deckert ..... 17/26

*Primary Examiner*—Bernard Ansher  
*Assistant Examiner*—Linda Titolo  
*Attorney, Agent, or Firm*—Walter G. Finch

[57] **CLAIM**

The ornamental design for a meat tenderizer, as shown and described.

**DESCRIPTION**

FIG. 1 is a top perspective view of a meat tenderizer, showing my new design;

FIG. 2 is a left side elevational view thereof;

FIG. 3 is a bottom plan view thereof;

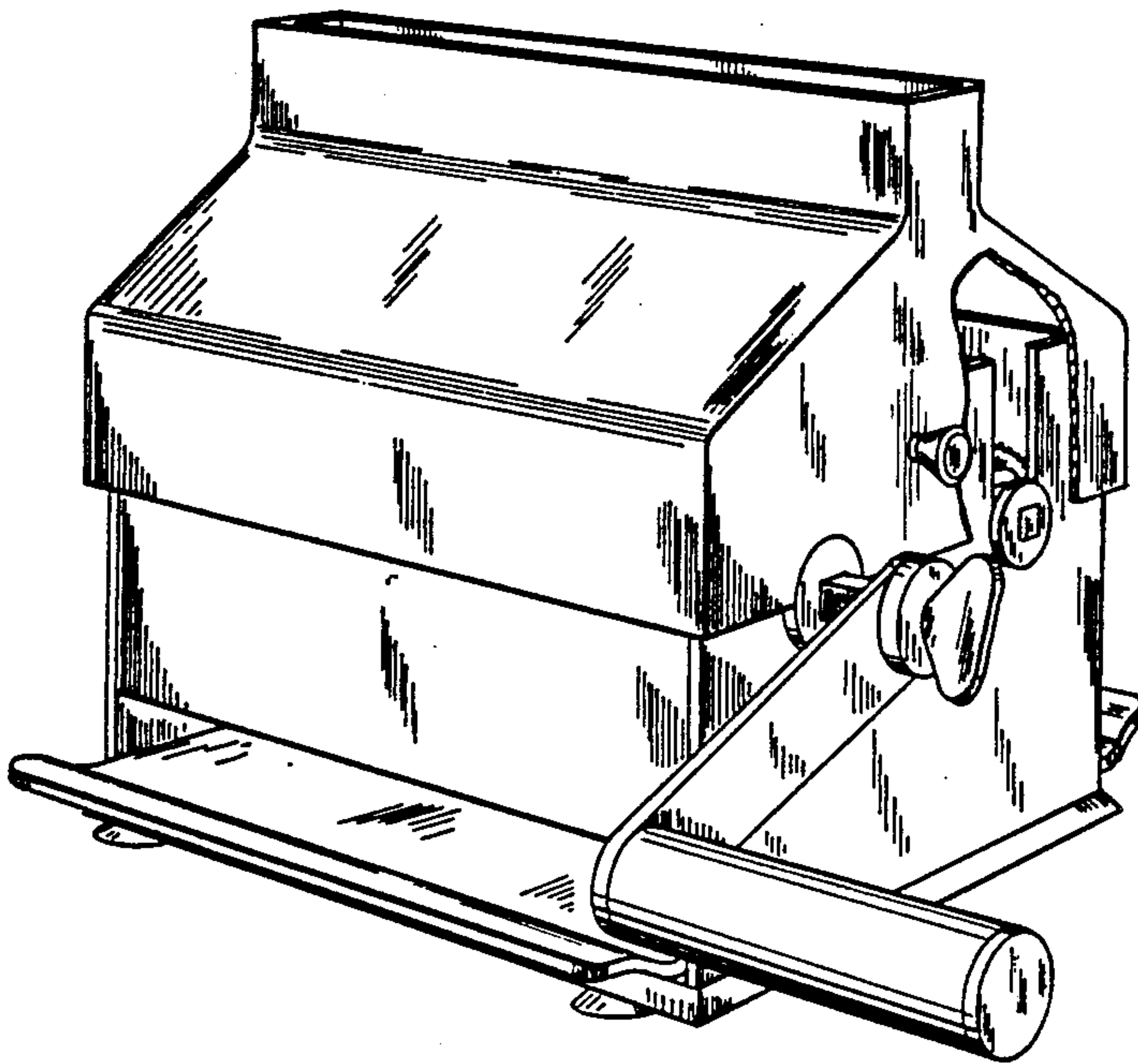
FIG. 4 is a top plan view thereof; and

FIG. 5 is a right side elevational view thereof.

[56] **References Cited**

**U.S. PATENT DOCUMENTS**

D. 93,368 9/1934 West ..... D7/382  
D. 142,508 10/1945 Ahrndt ..... D7/382  
D. 150,395 8/1948 Bakewell ..... D7/382  
478,547 7/1892 Arnold ..... 17/26



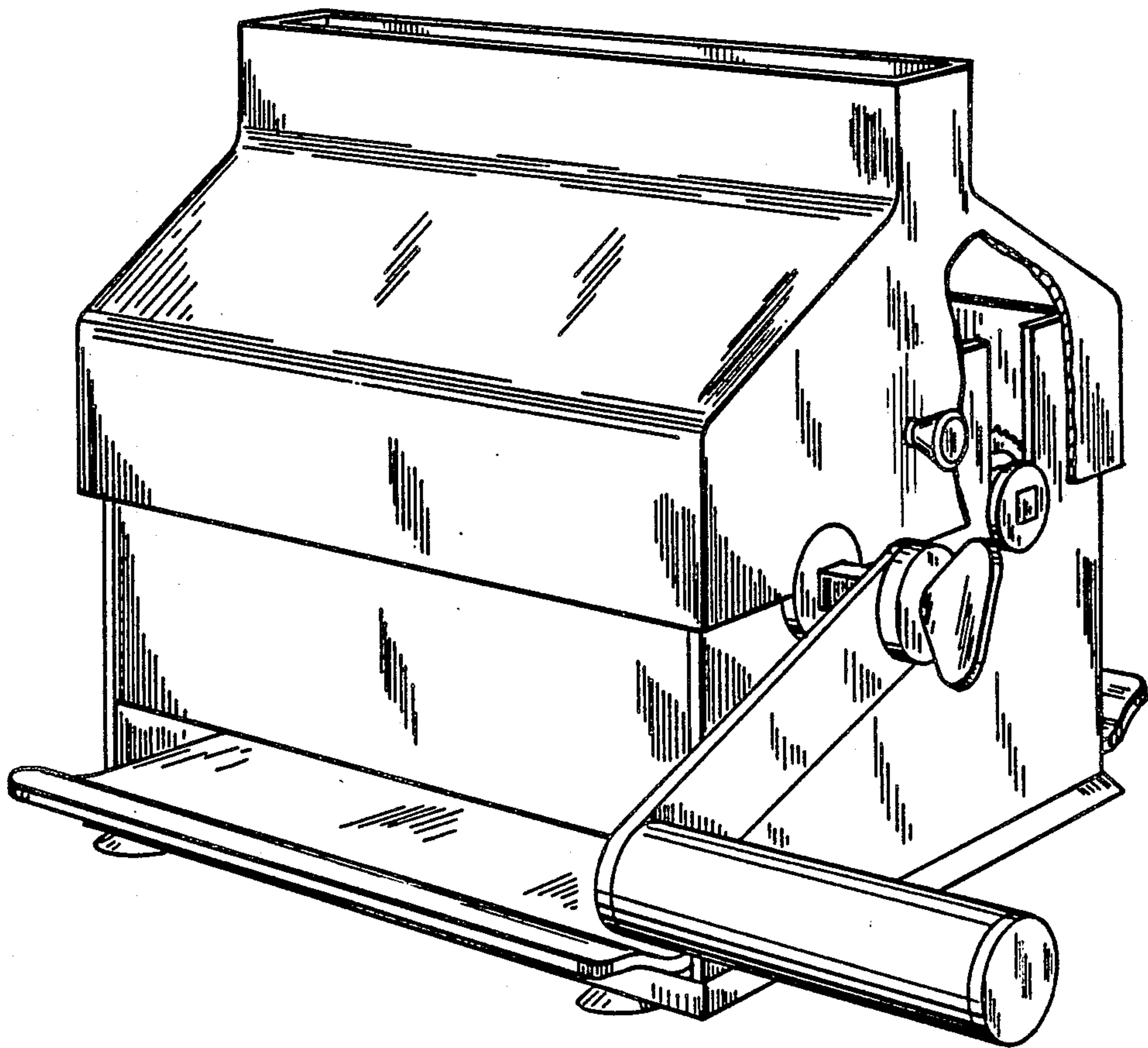


FIG. 1

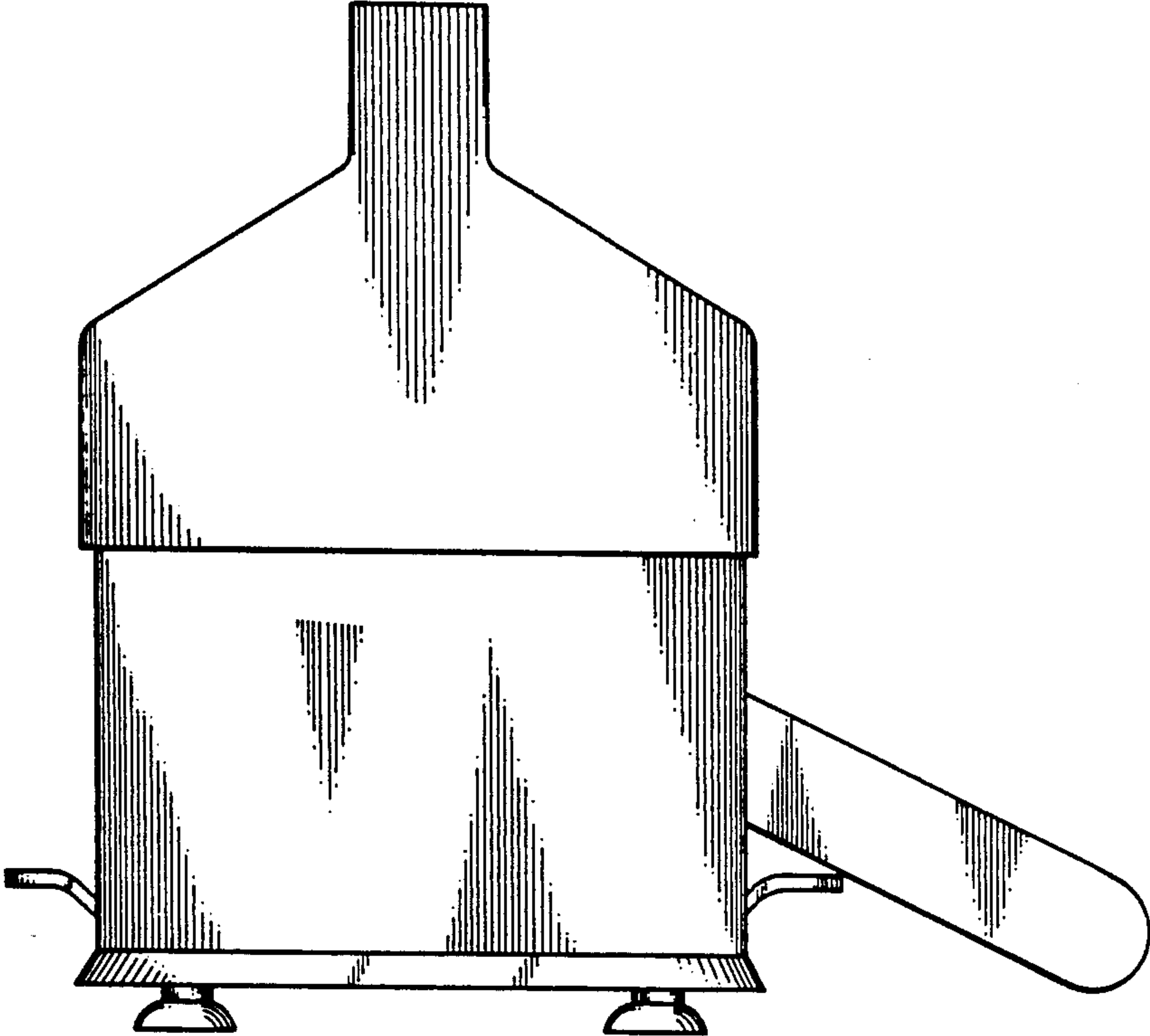


FIG. 2

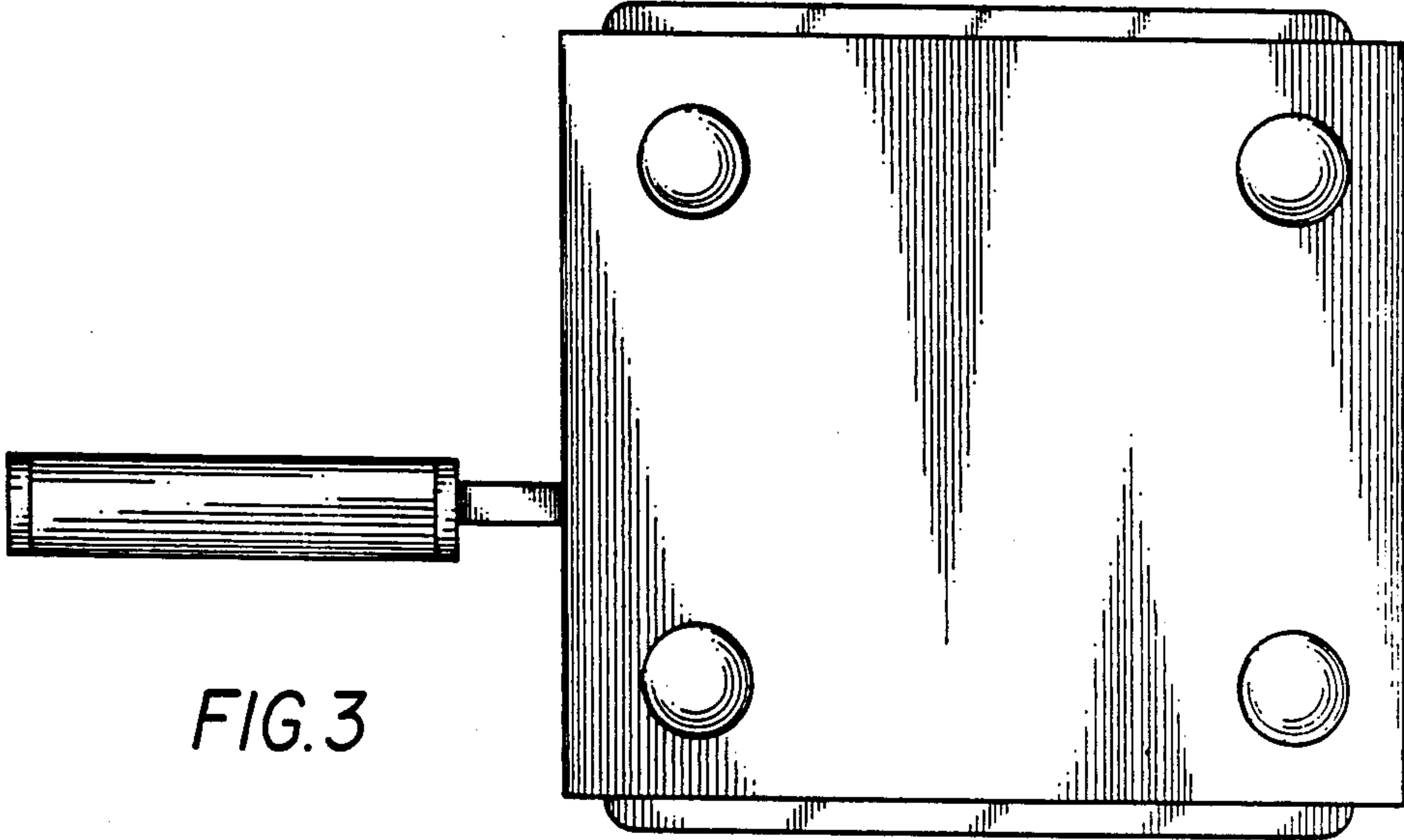


FIG. 3

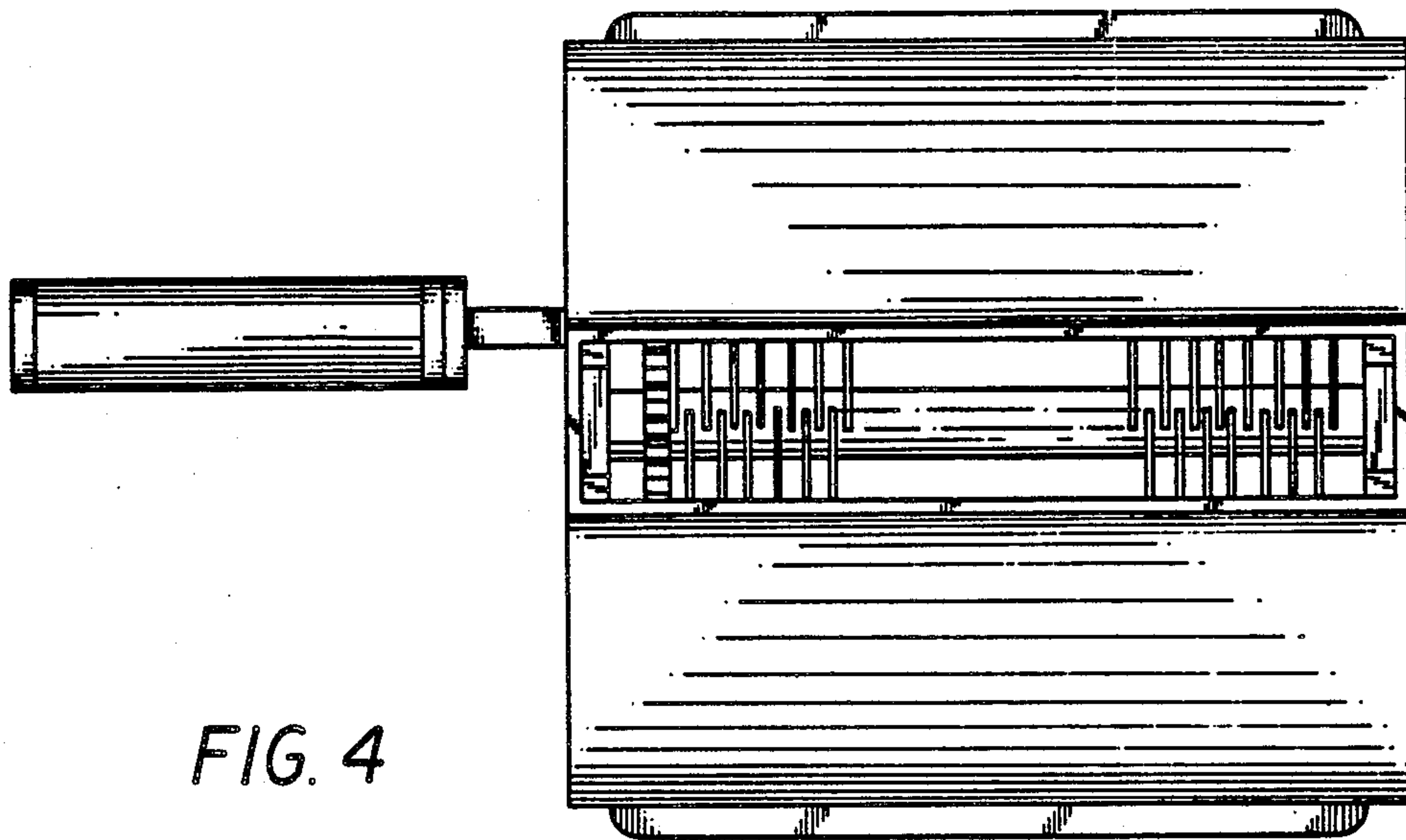


FIG. 4

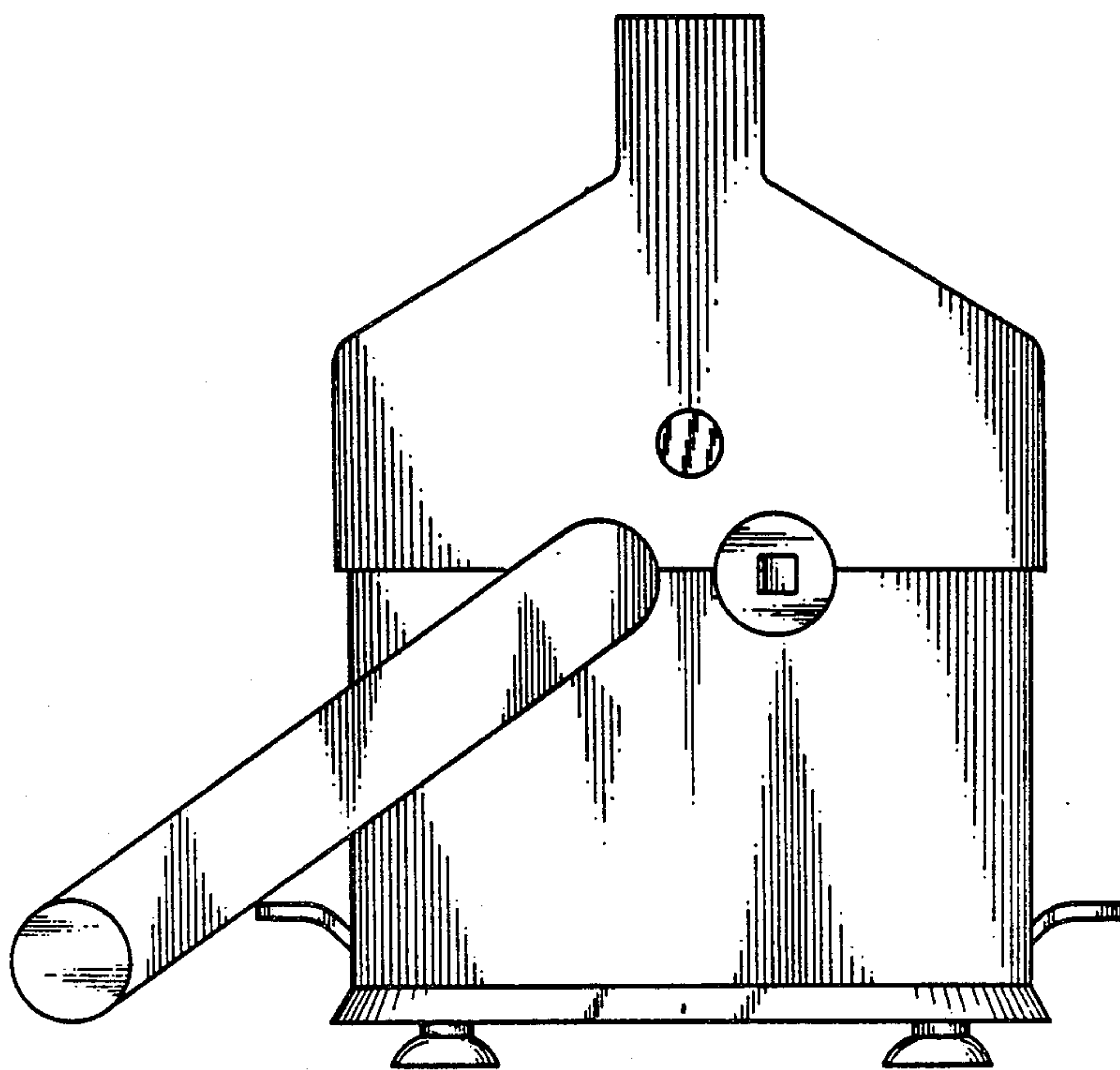


FIG. 5