

# United States Patent [19]

Edwards et al.

[11] Patent Number: Des. 293,407

[45] Date of Patent: \*\* Dec. 29, 1987

[54] COMBINATION FOOD CONTAINER AND SCOOP

[75] Inventors: Peter Edwards, Hayward; Budd Steinhilber, Stinson Beach; Ken Gilliam, San Francisco, all of Calif.

[73] Assignee: Harmony Foods, Inc., Santa Cruz, Calif.

[\*] Notice: The portion of the term of this patent subsequent to Dec. 22, 2001 has been disclaimed.

[\*\*] Term: 14 Years

[21] Appl. No.: 824,077

[22] Filed: Jan. 30, 1986

[52] U.S. Cl. .... D7/79

[58] Field of Search ..... D7/50, 52, 70, 79, 80, D7/81, 104, 387, 397; D9/373; 141/380; 215/DIG. 5; 294/55

## [56] References Cited

### U.S. PATENT DOCUMENTS

- D. 183,469 9/1958 Ullman .  
D. 200,969 4/1965 Wildgen .  
D. 212,212 9/1968 Tompkins ..... D9/373  
D. 250,871 1/1979 Taylor .

D. 257,549 11/1980 Chapman .  
1,240,072 9/1917 Maiden .

### OTHER PUBLICATIONS

Restaurants & Institutions, 2/81, p. 197, Scoop, bottom right corner.

Cal Corp Catalog, 1/86, pp. 5 and 6, Plastic Bins with Scoop.

Trade Bins of Little Rock Catalog, p. 11, Plastic Bins with Scoop.

Primary Examiner—Bernard Ansher

Assistant Examiner—Terry Pfeffer

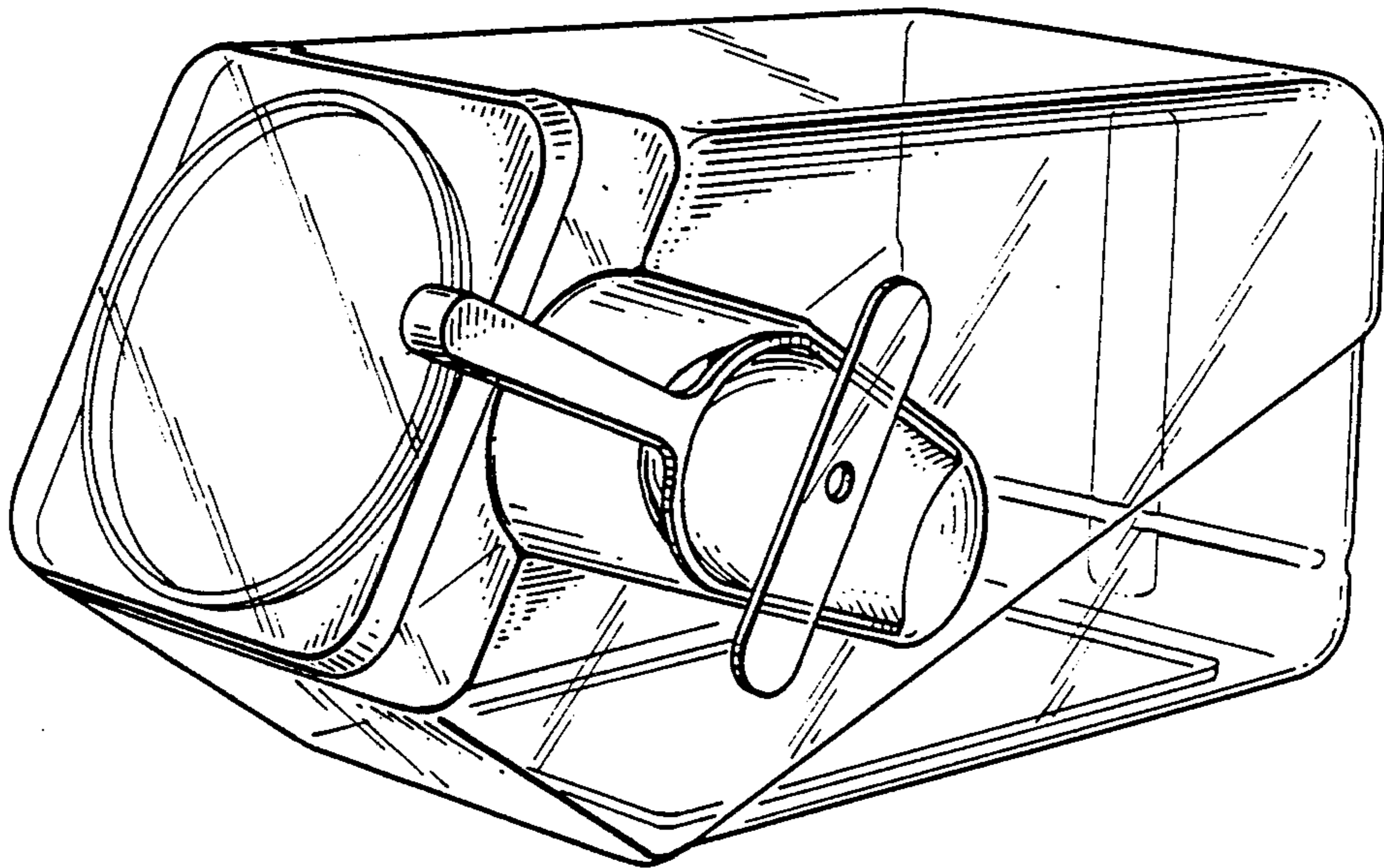
Attorney, Agent, or Firm—Banner, Birch, McKie & Beckett

### [57] CLAIM

The ornamental design for a combination food container and scoop, as shown and described.

### DESCRIPTION

FIG. 1 is a perspective view of a combination food container and scoop showing our new design; FIG. 2 is a top plan view thereof; FIG. 3 is a side elevational view thereof; FIG. 4 is a front elevational view thereof; FIG. 5 is a rear elevational view thereof; FIG. 6 is a side elevational view thereof; and, FIG. 7 is a bottom plan view thereof.



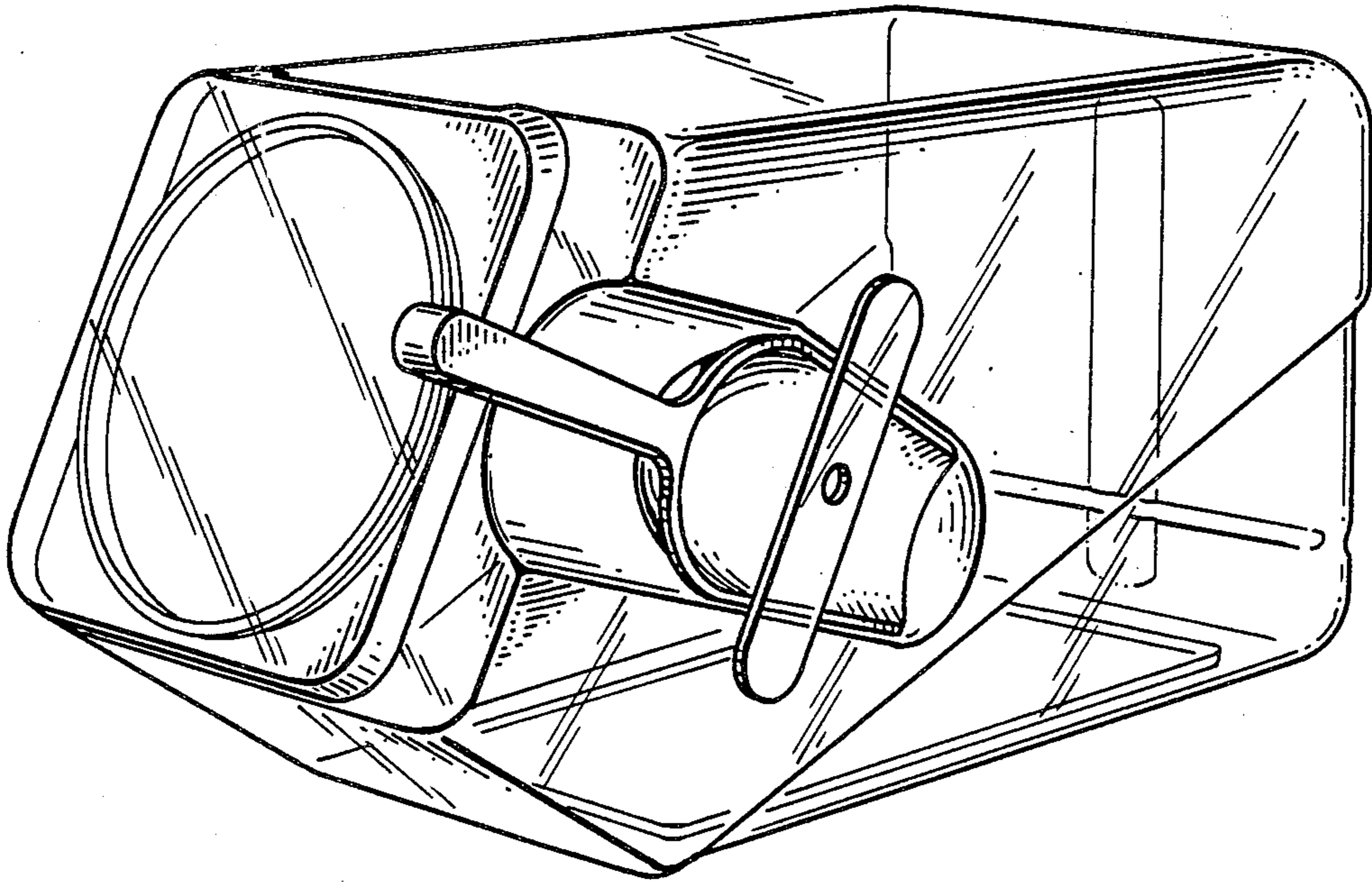


FIG. 1.

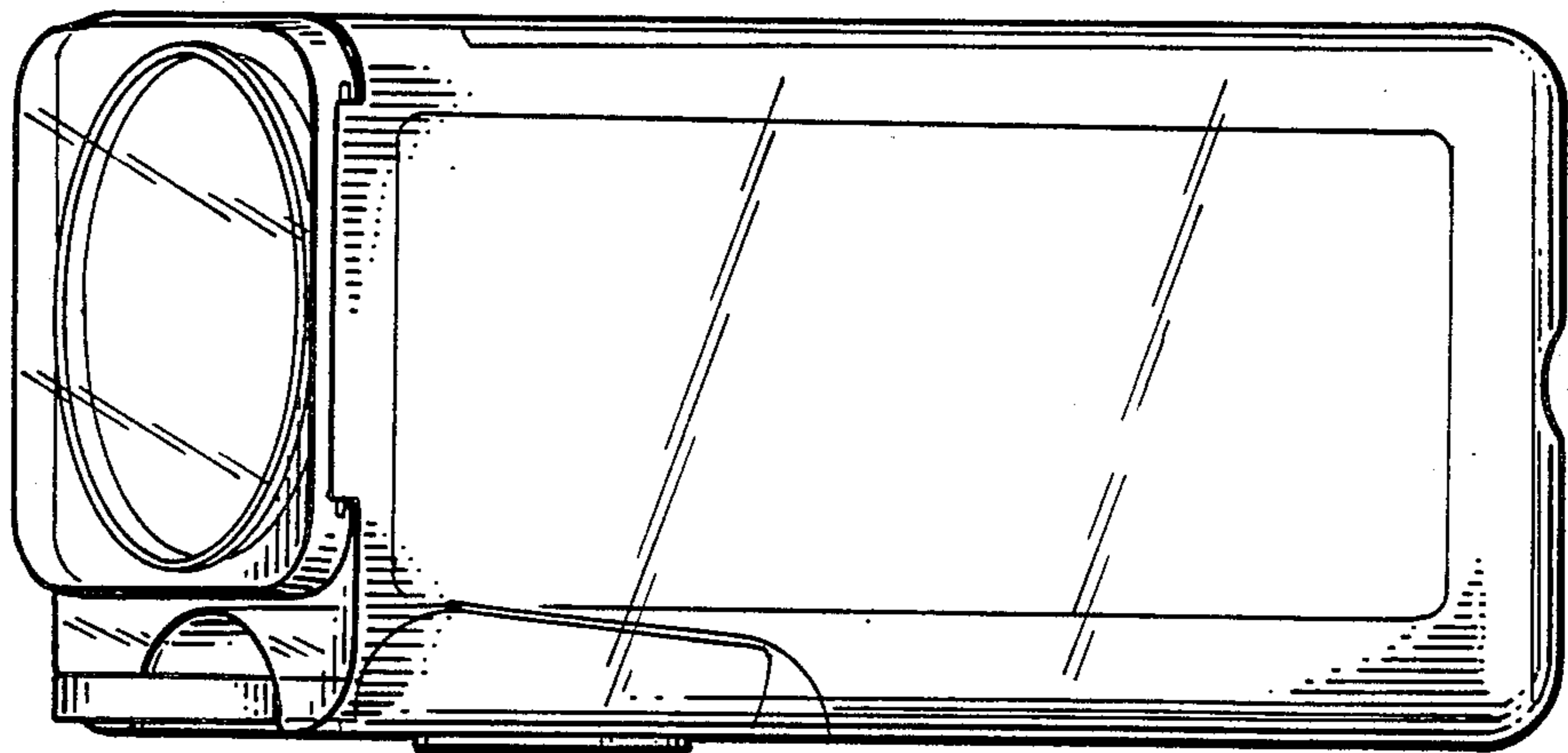


FIG. 2.

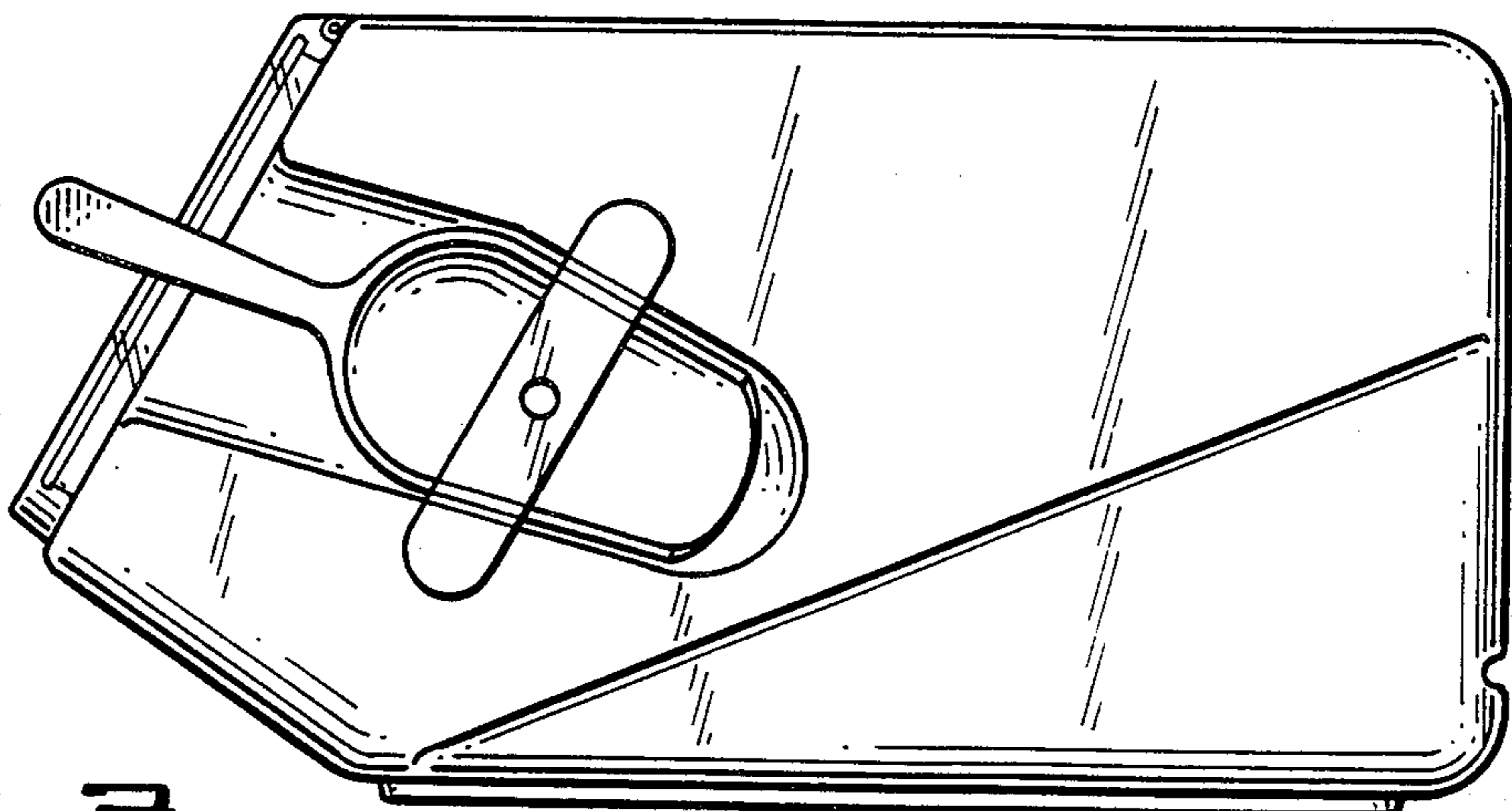


FIG. 3.



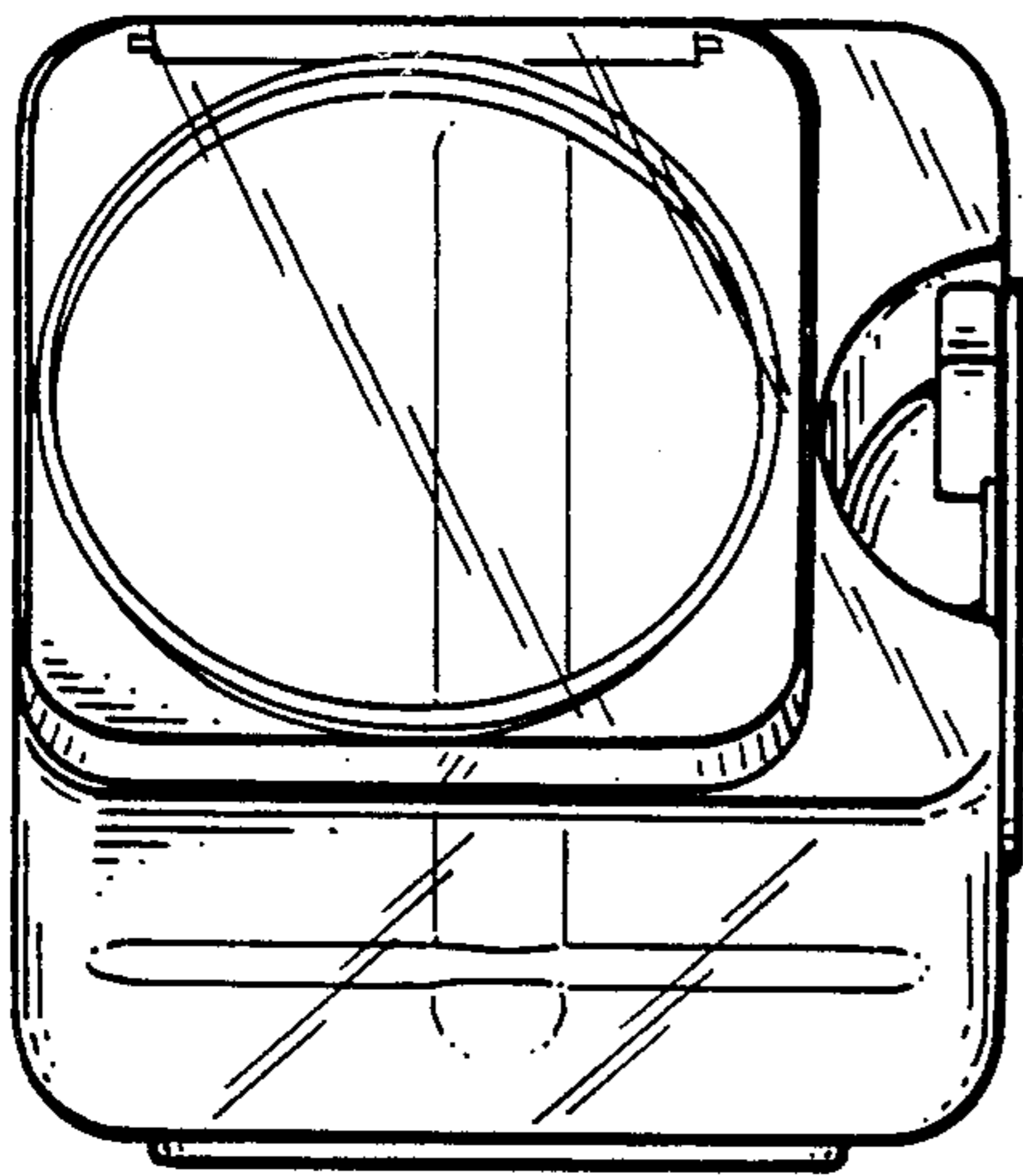


FIG. 4.

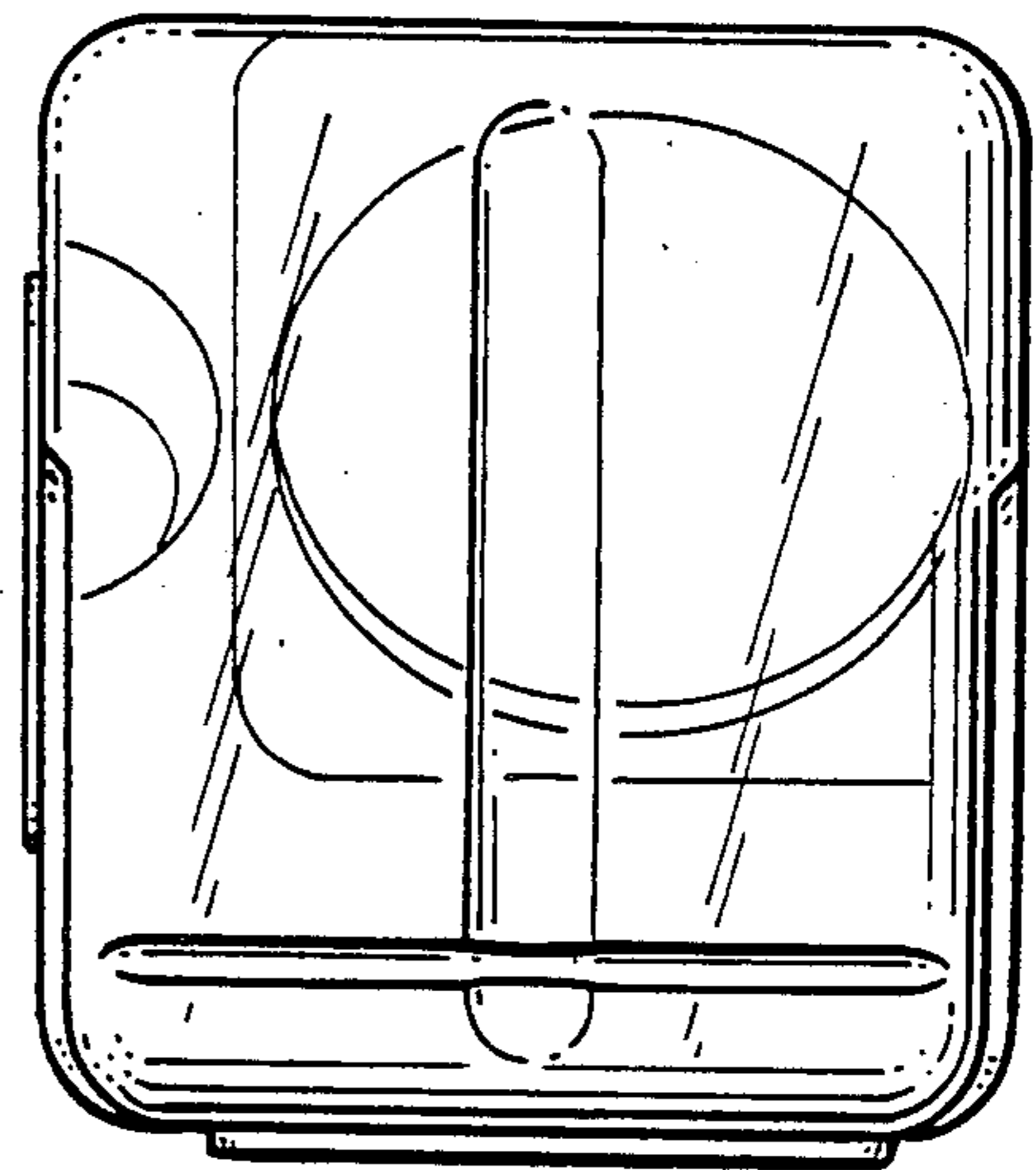


FIG. 5.

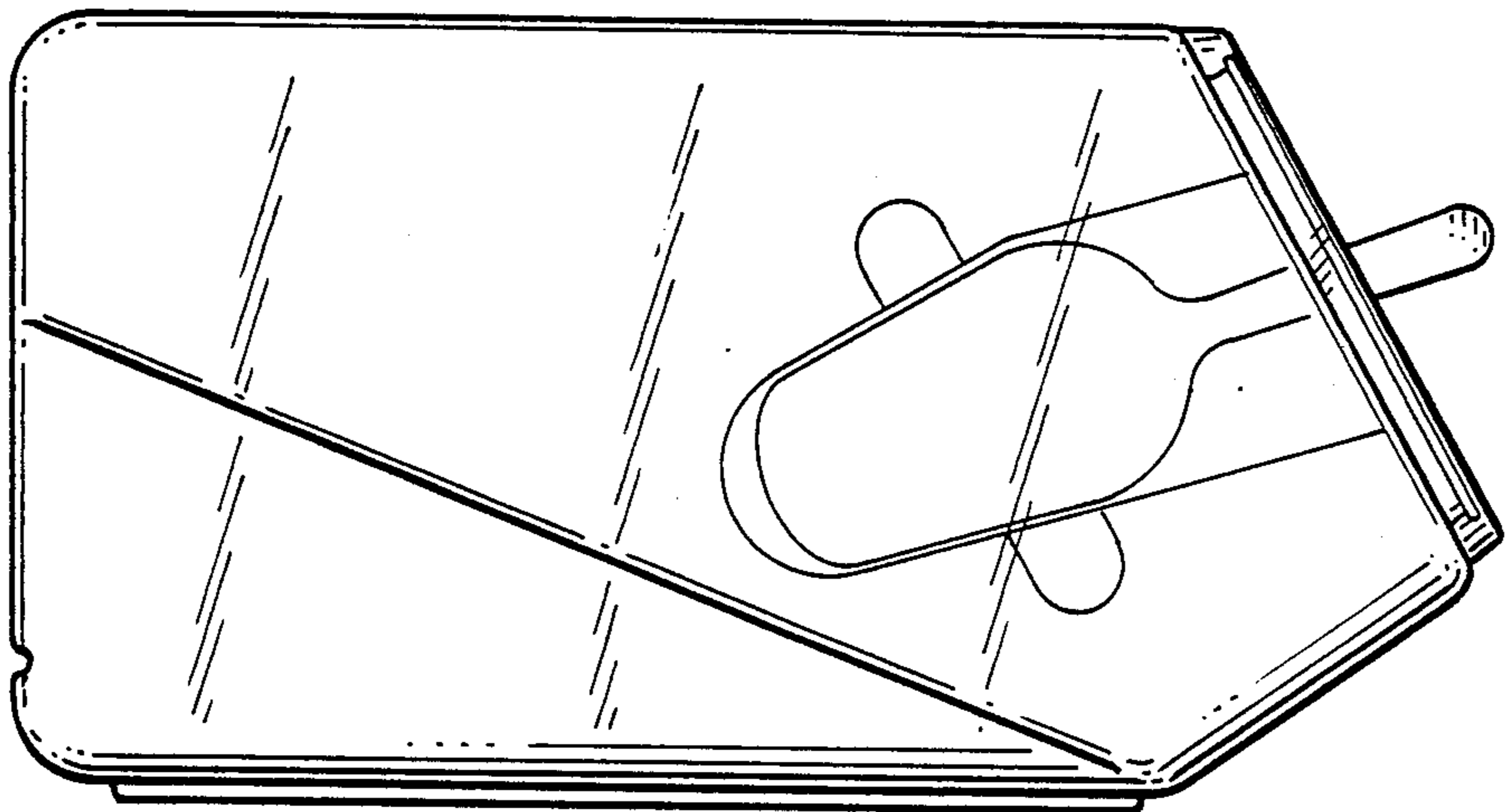


FIG. 6.

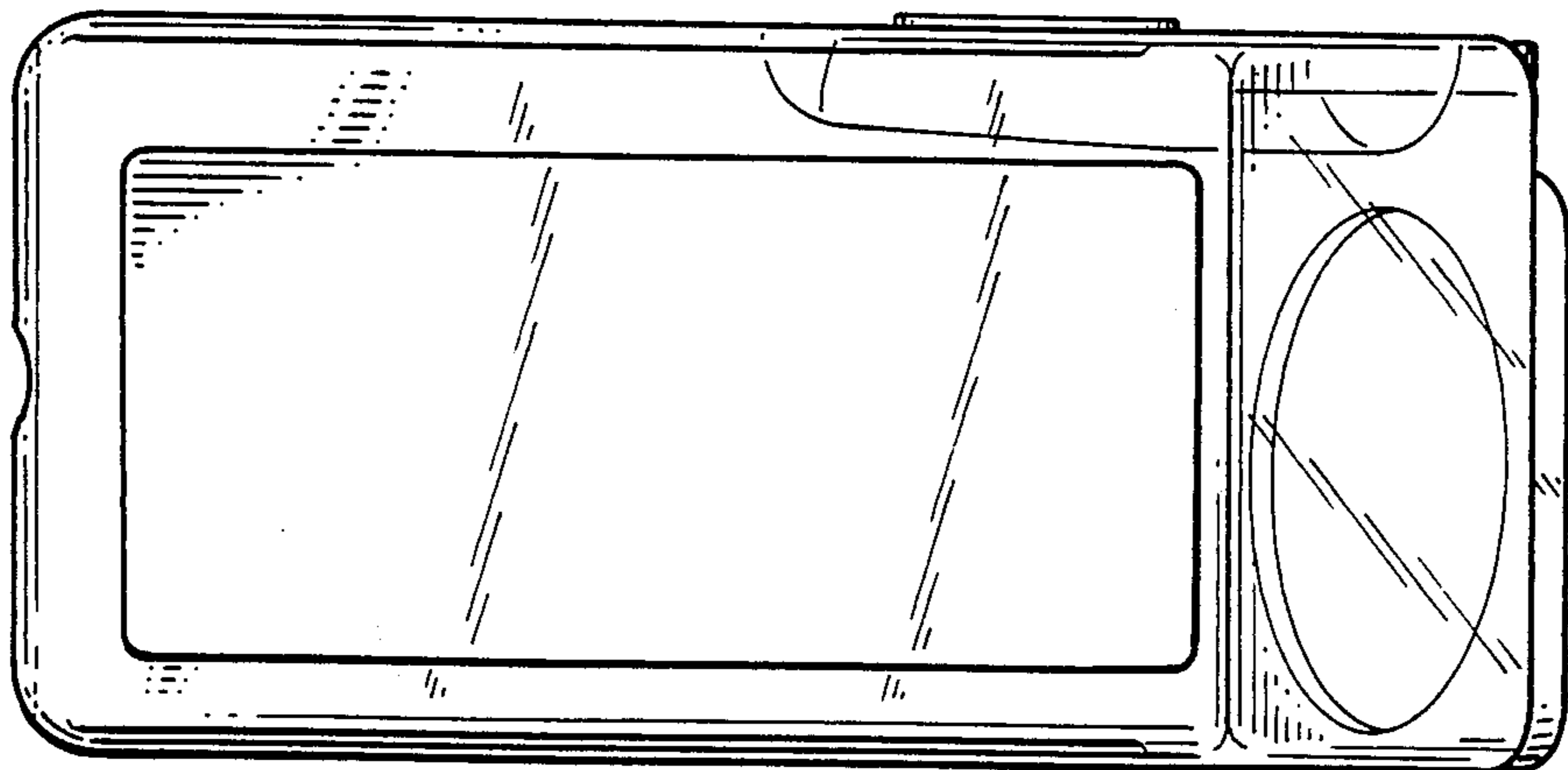


FIG. 7.