

[54] **TABLE**

[75] **Inventor: Michael M. Stewart, Toronto, Canada**

[73] **Assignee: Ambient Systems Limited, Toronto, Canada**

[**] **Term: 14 Years**

[21] **Appl. No.: 725,442**

[22] **Filed: Apr. 22, 1985**

[30] **Foreign Application Priority Data**

Mar. 19, 1985 [CA] Canada 19-03-85-1

[52] **U.S. Cl.** D6/487; D6/480; D6/484

[58] **Field of Search** D6/430, 449, 480, 484, D6/487, 488; 108/156 X

[56]

References Cited

U.S. PATENT DOCUMENTS

D. 109,505	5/1938	Schaffer	D6/487
D. 172,551	7/1954	Pierce	D6/487 X
D. 231,887	6/1974	Kephart	D6/488 X
D. 249,855	10/1978	Levell	D6/488 X
D. 252,431	7/1979	Pfister	D6/484
D. 280,162	8/1985	Bromley	D6/484
3,883,104	5/1975	Delafield	108/156 X

Primary Examiner—Bruce W. Dunkins
Attorney, Agent, or Firm—Rogers, Bereskin & Parr

[57]

CLAIM

The ornamental design for a table, as shown.

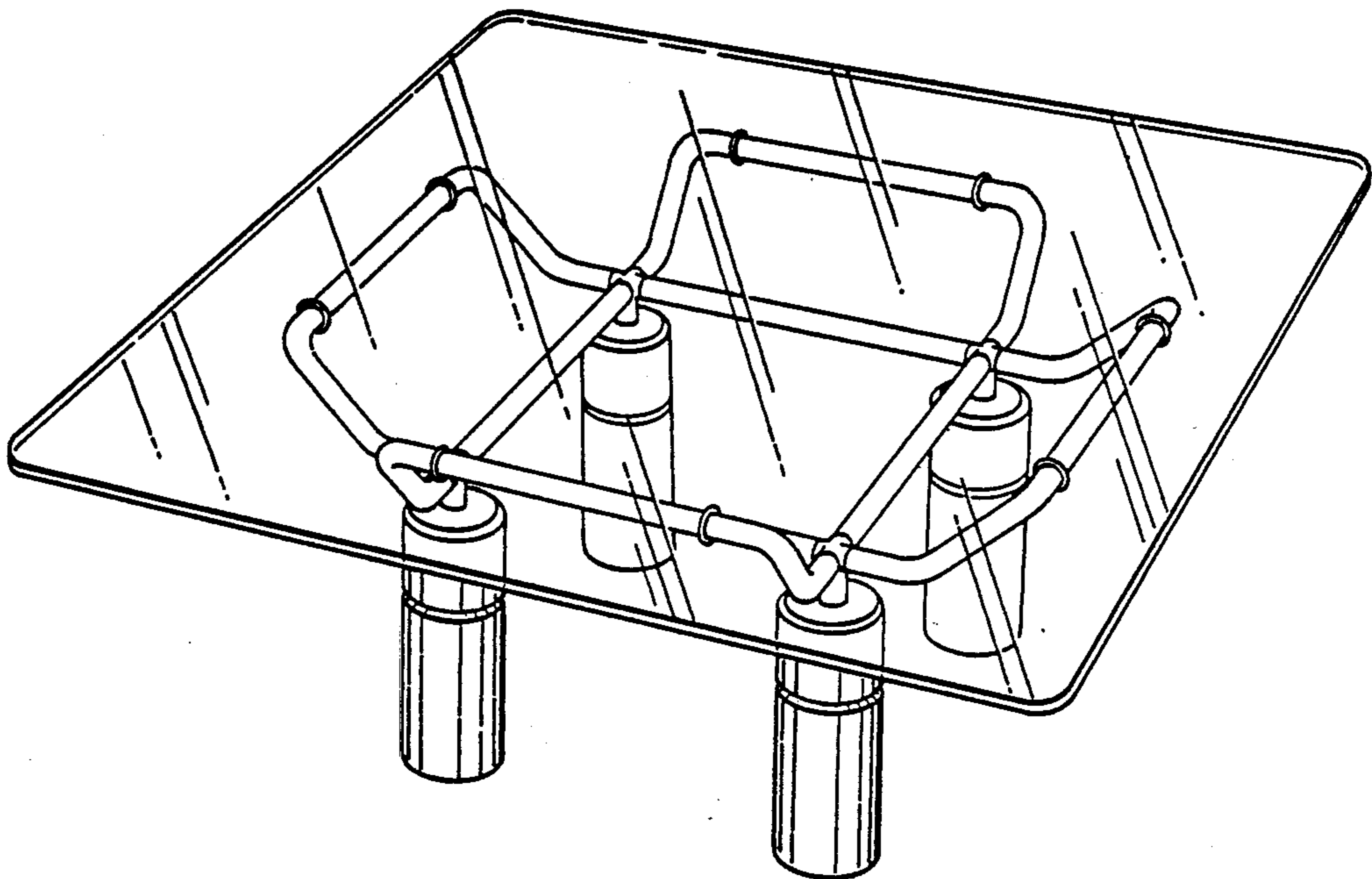
DESCRIPTION

FIG. 1 is a perspective view from above of a table according to my new design;

FIG. 2 is a perspective view from below of the table shown in FIG. 1;

FIG. 3 is a plan view from below of the table shown in FIGS. 1 and 2; and

FIG. 4 is an end view of the table shown in FIGS. 1 to 3.



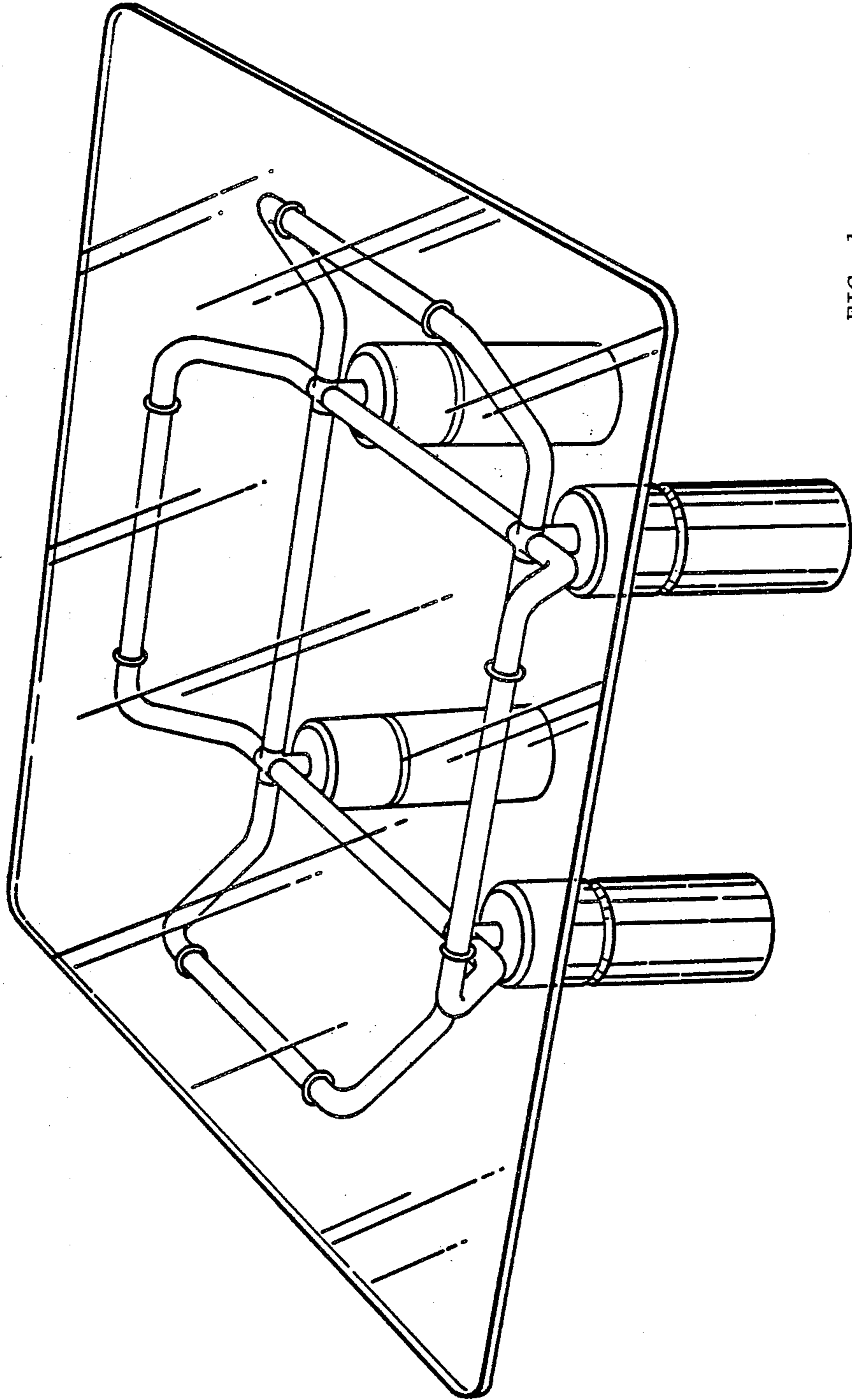


FIG. 1

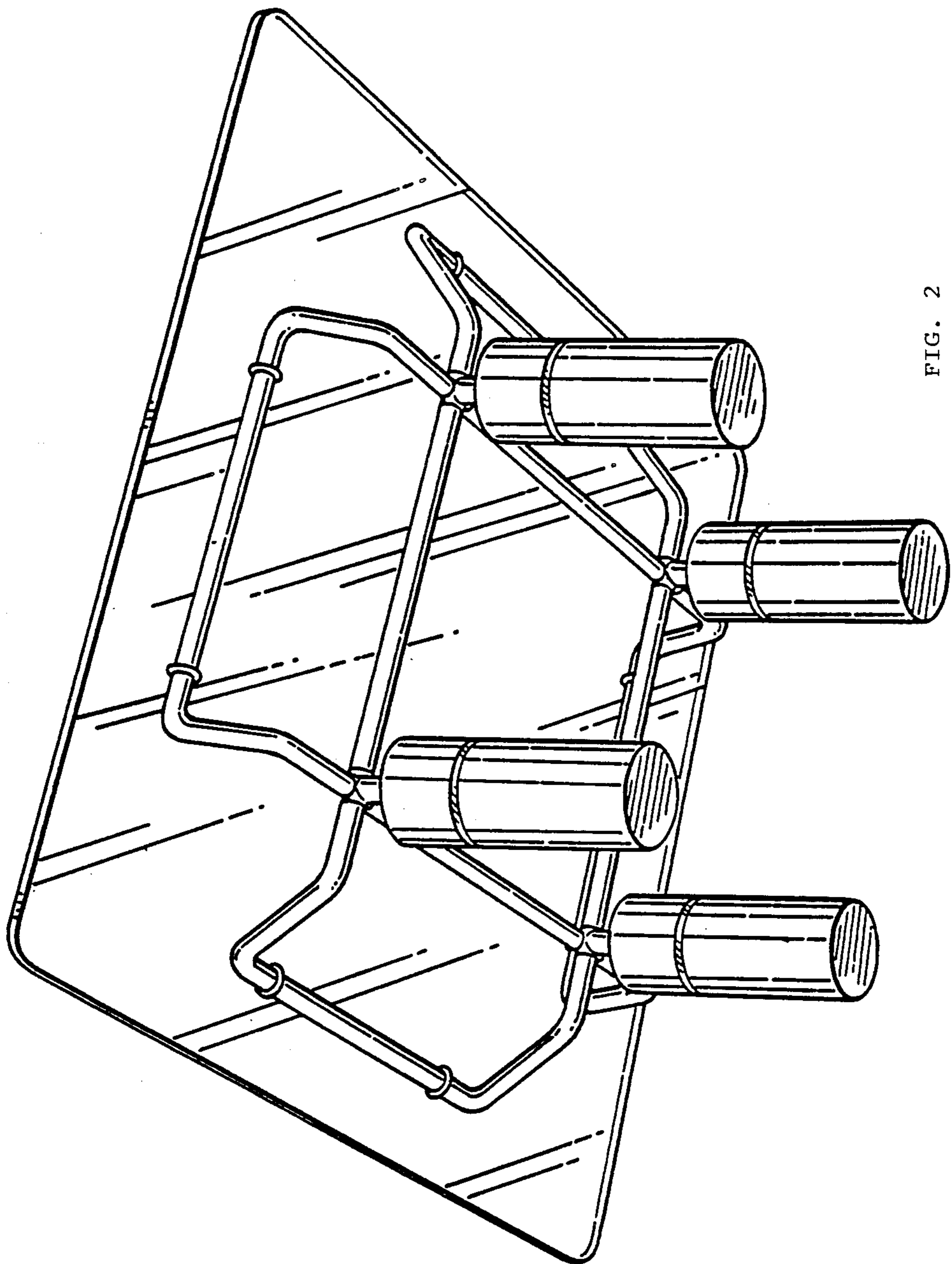


FIG. 2

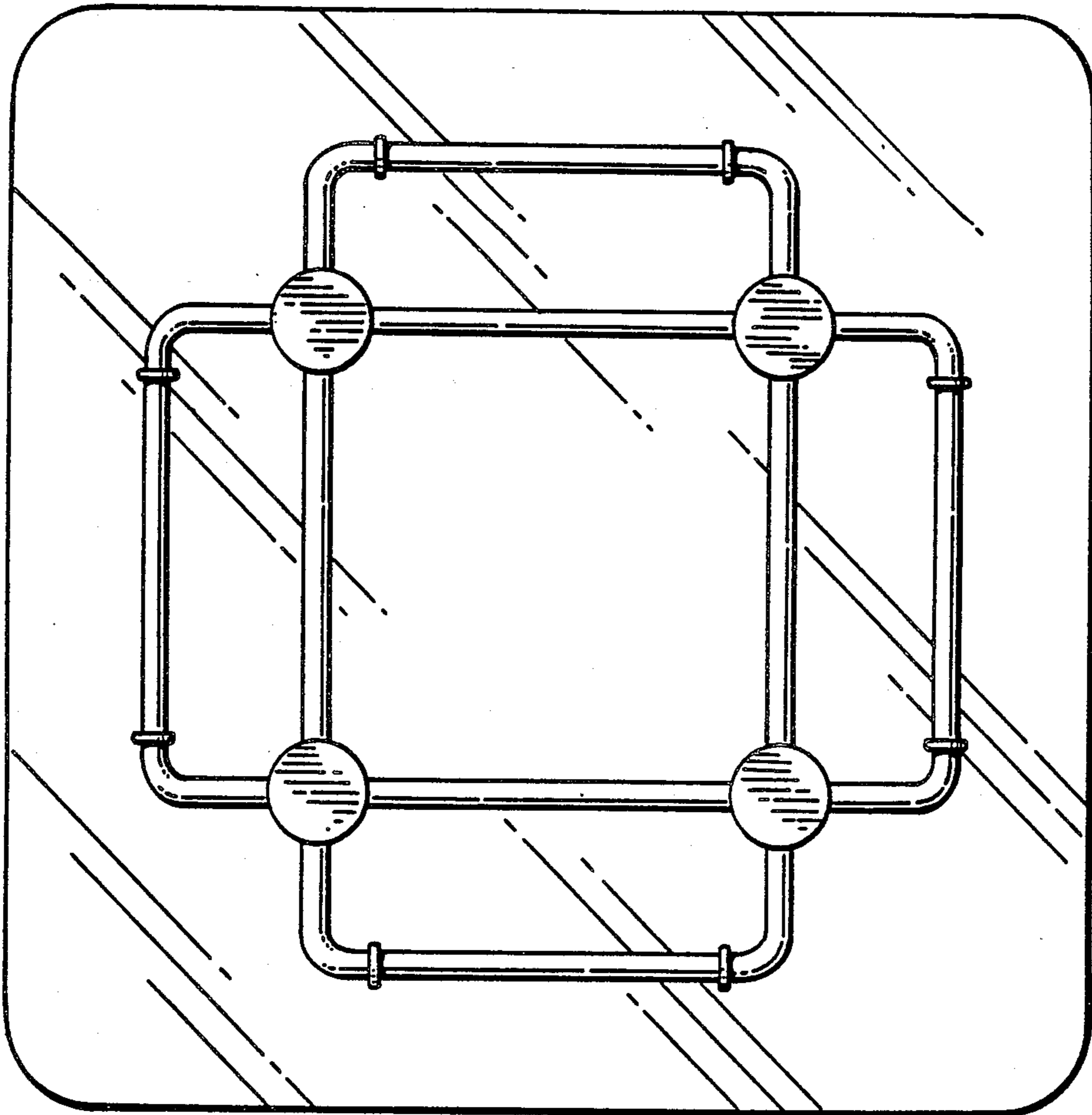


FIG. 3

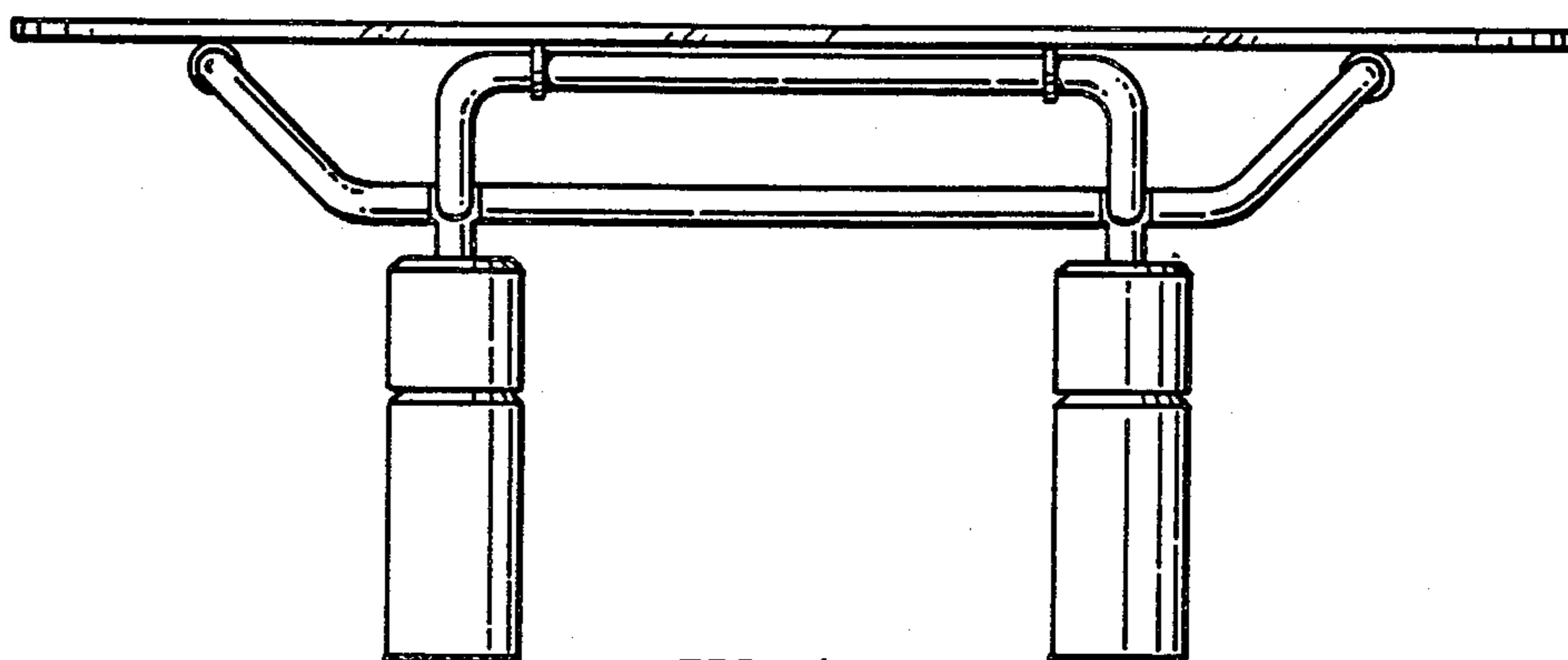


FIG. 4