

[54] MOBILE PERSONAL COMPUTER WORKSTATION

[75] Inventor: Gordon F. Kwiecinski, Cincinnati, Ohio

[73] Assignee: Hamilton Sorter Co., Inc., Fairfield, Ohio

[**] Term: 14 Years

[21] Appl. No.: 730,469

[22] Filed: May 3, 1985

[52] U.S. Cl. D6/430

[58] Field of Search D6/429, 430, 431, 436; D34/19, 20, 21; 512/194, 195, 196

[56] References Cited

U.S. PATENT DOCUMENTS

D. 26,332	11/1896	Pringle	D6/430
D. 91,718	3/1934	Mandri	D6/438
D. 125,259	2/1941	Conwell	D6/430
D. 143,414	1/1946	Erickson	D6/430
D. 176,459	12/1955	Groves	D6/430
D. 195,726	7/1963	Harper	D6/436
D. 281,382	11/1985	Byrne et al.	D6/429 X
D. 282,513	2/1986	Wolford, Sr.	D6/429 X
D. 284,242	6/1986	Sackett et al.	D6/432 X

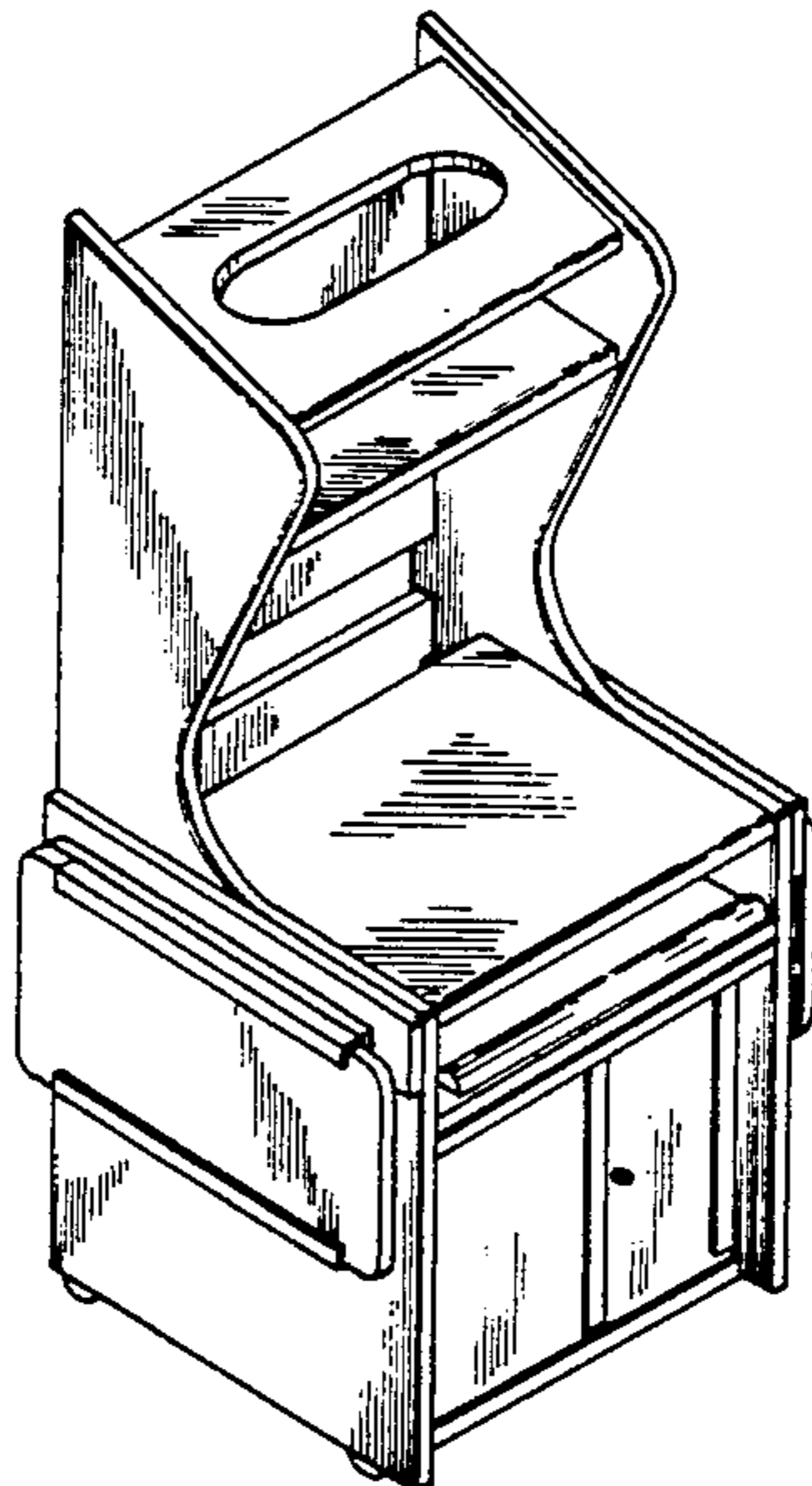
Primary Examiner—Carmen H. Vales
Attorney, Agent, or Firm—Frost & Jacobs

[57] CLAIM

The ornamental design for a mobile personal computer workstation, as shown and described.

DESCRIPTION

FIG. 1 is a front perspective view of a mobile personal computer workstation showing my new design; FIG. 2 is a rear perspective view thereof; FIG. 3 is a front elevational view thereof; FIG. 4 is a right side elevational view, the opposite side being a mirror image thereof; FIG. 5 is a rear elevational view thereof; FIG. 6 is a top plan view thereof; FIG. 7 is a front perspective view with the shelves in extended position; FIG. 8 is a front perspective view of a second embodiment of the workstation shown in FIG. 1; FIG. 9 is a rear perspective view thereof; FIG. 10 is a front elevational view thereof; FIG. 11 is a right side elevational view thereof; FIG. 12 is a rear elevational view thereof; FIG. 13 is a top plan view thereof; and FIG. 14 is a front perspective view with the shelves in extended position.



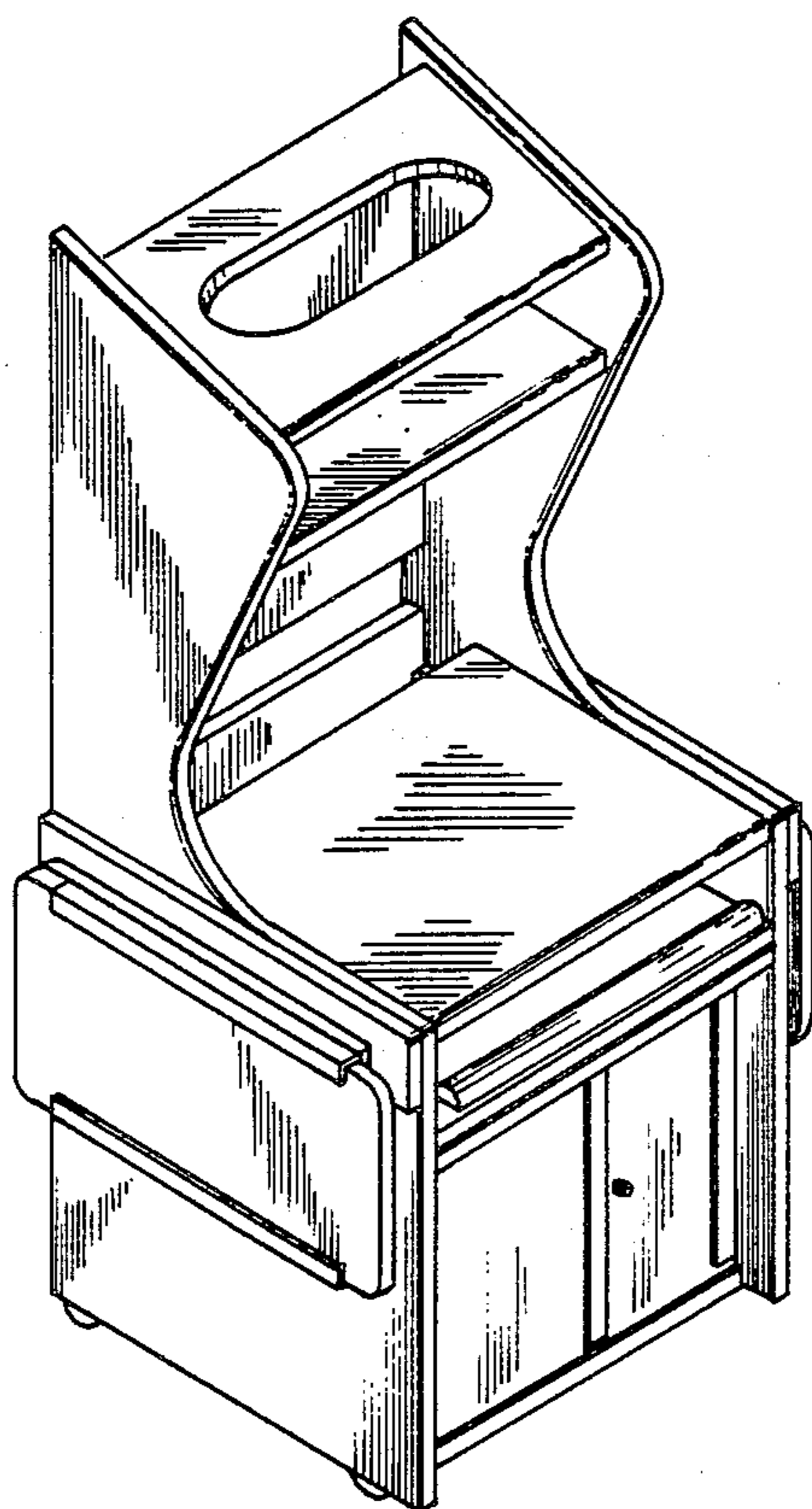


FIG. 1

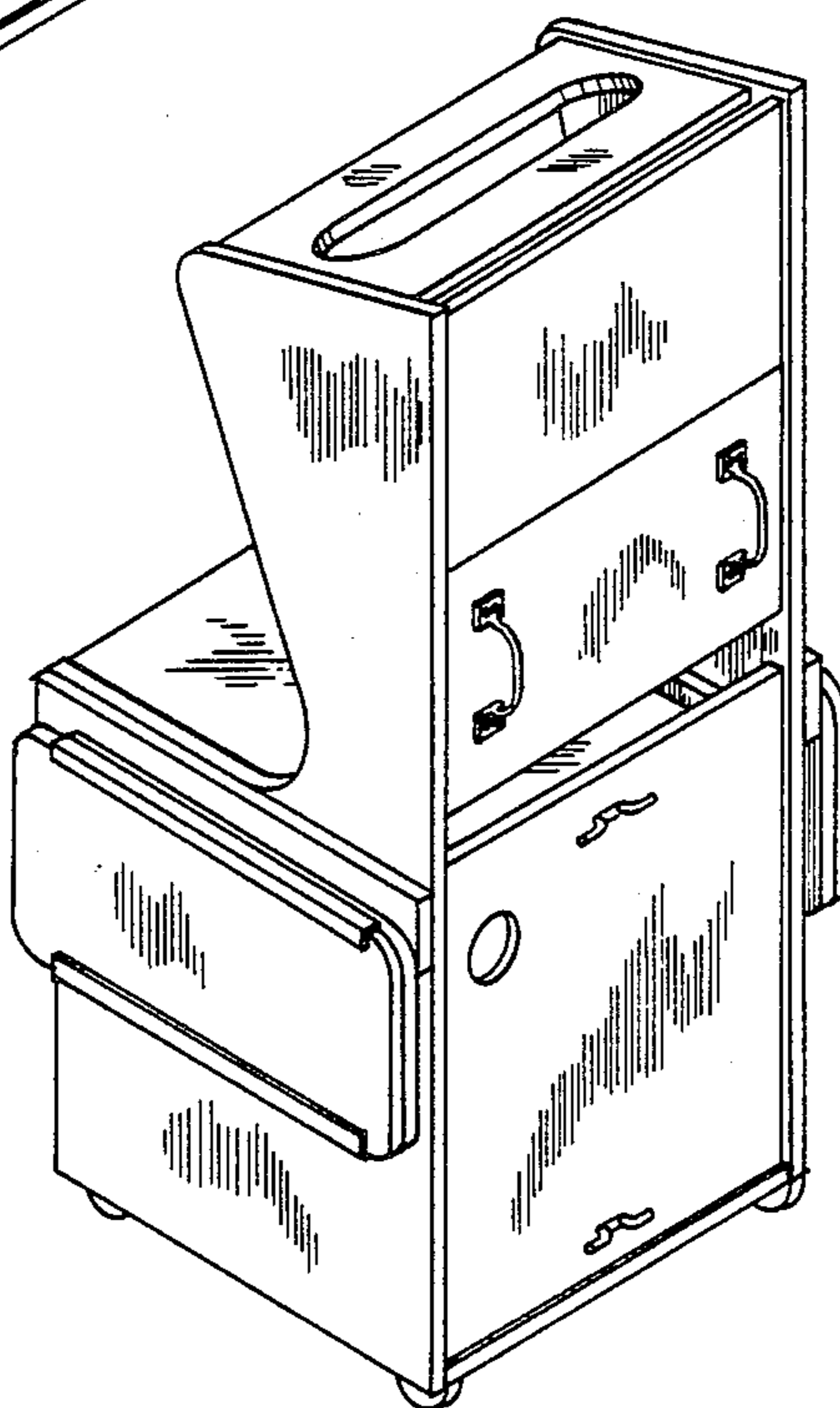


FIG. 2

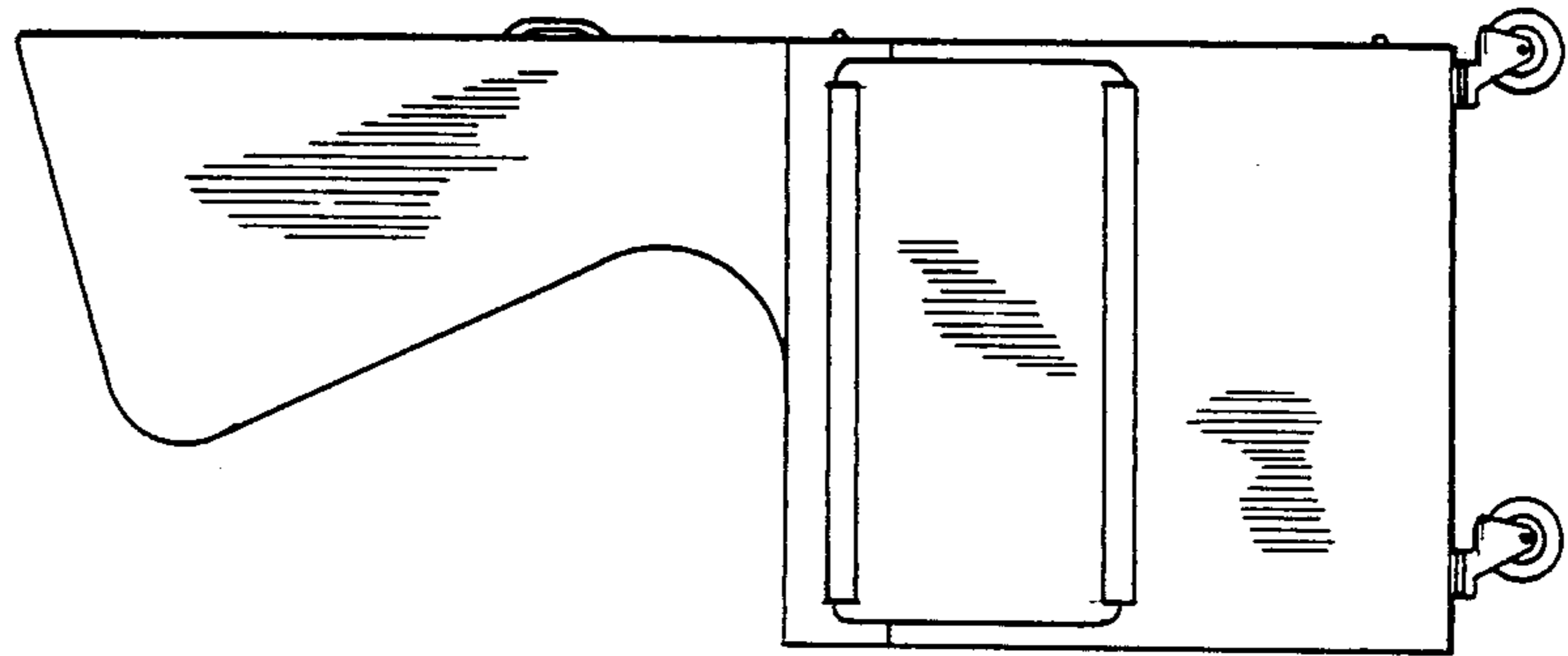


FIG. 4

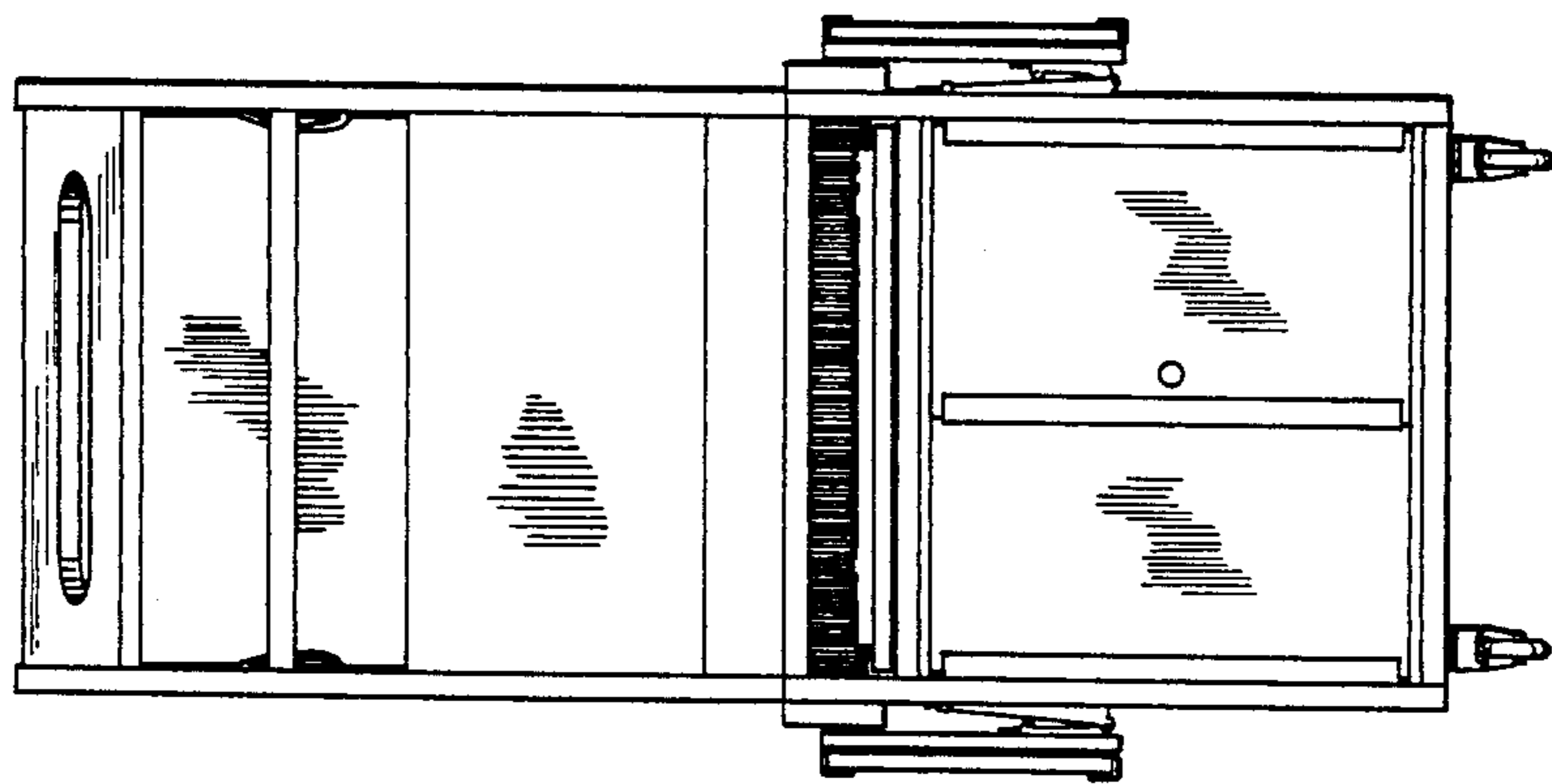


FIG. 3

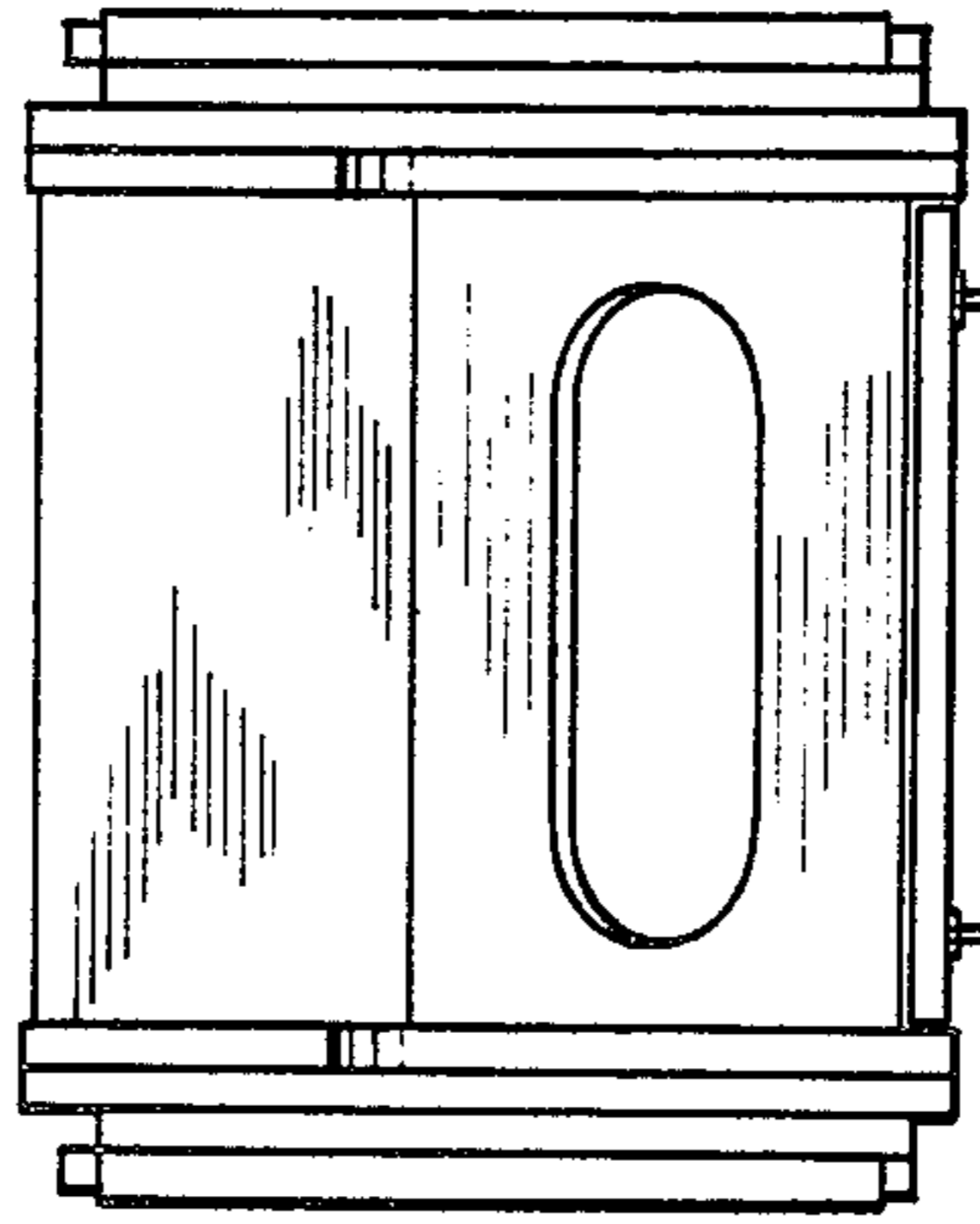


FIG. 6

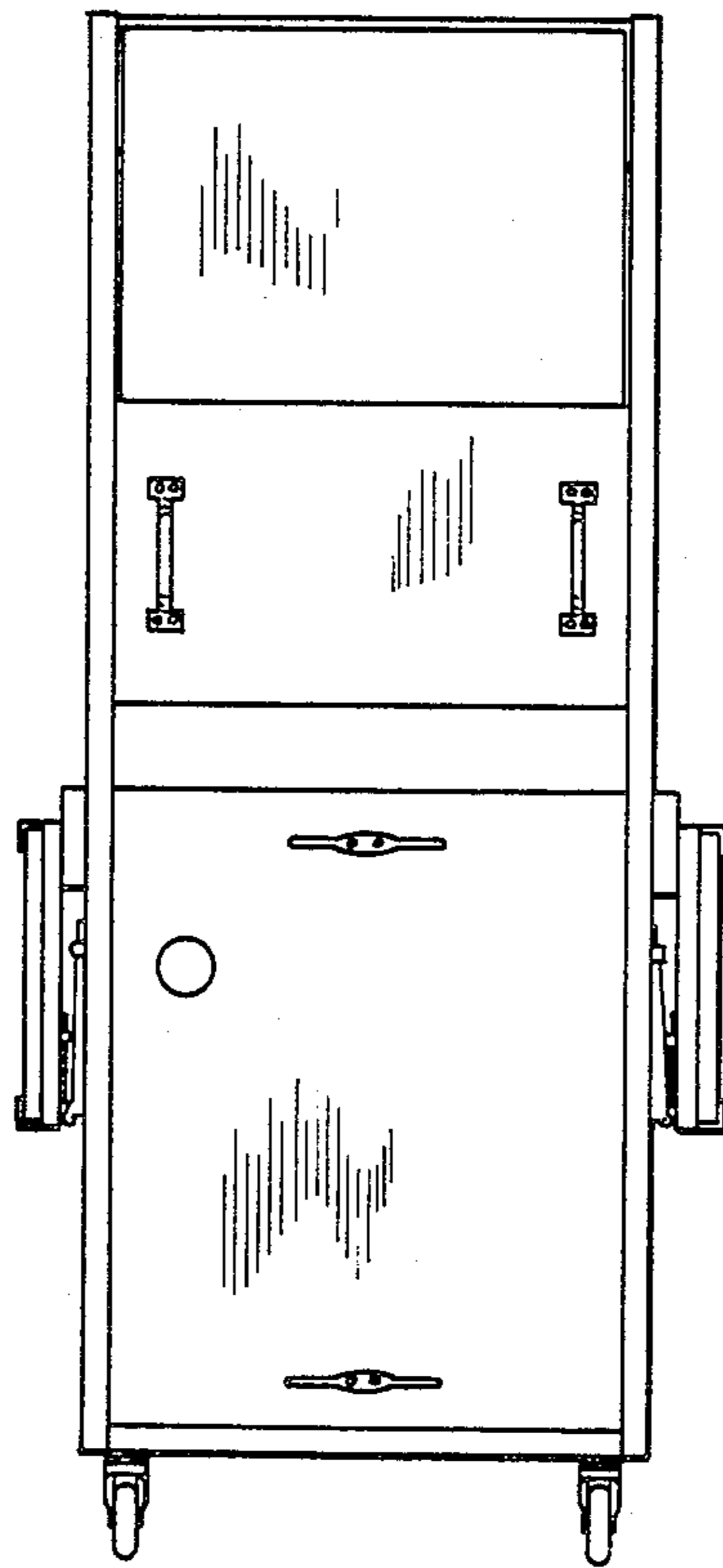


FIG. 5

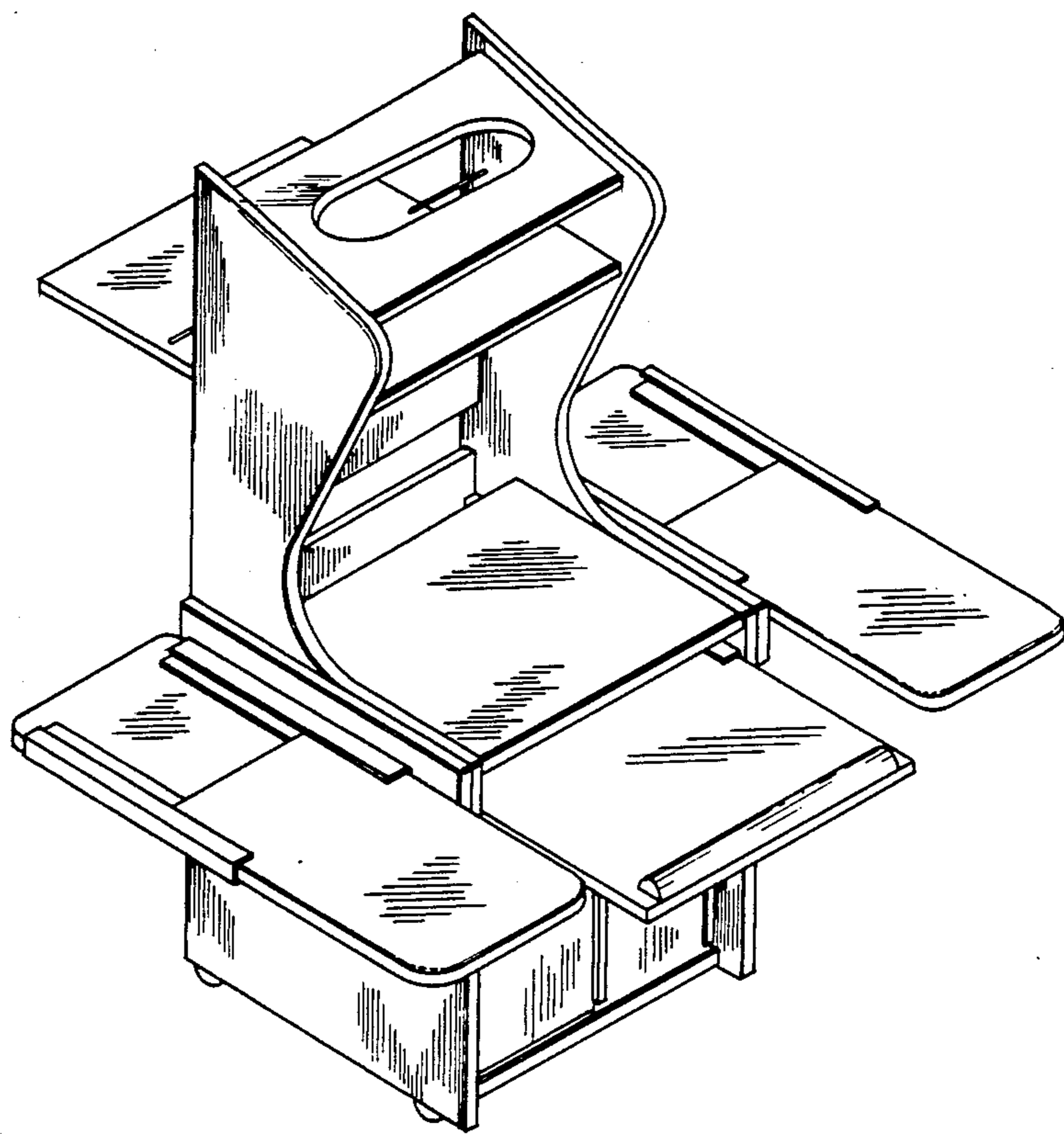


FIG. 7

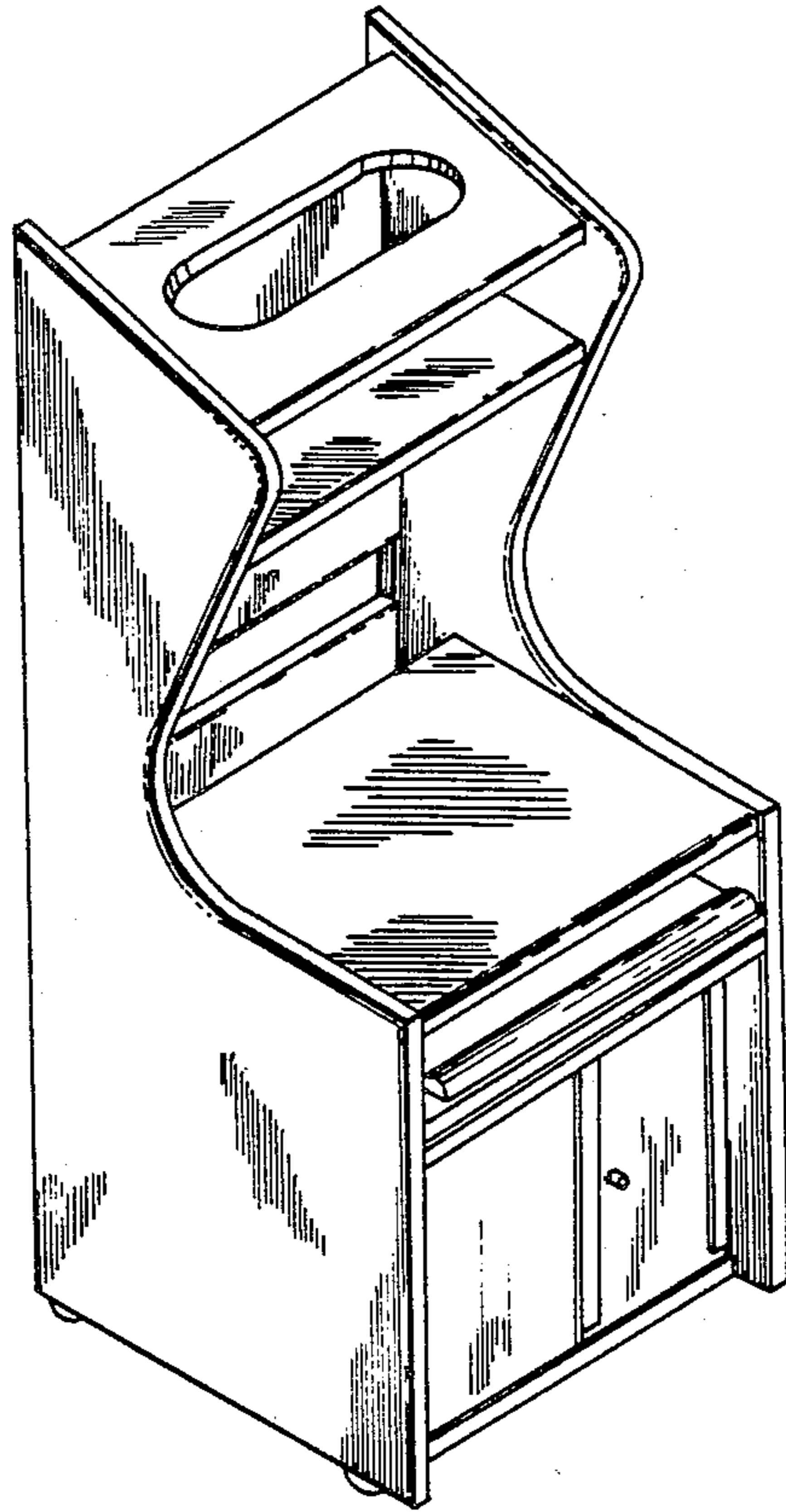


FIG. 8

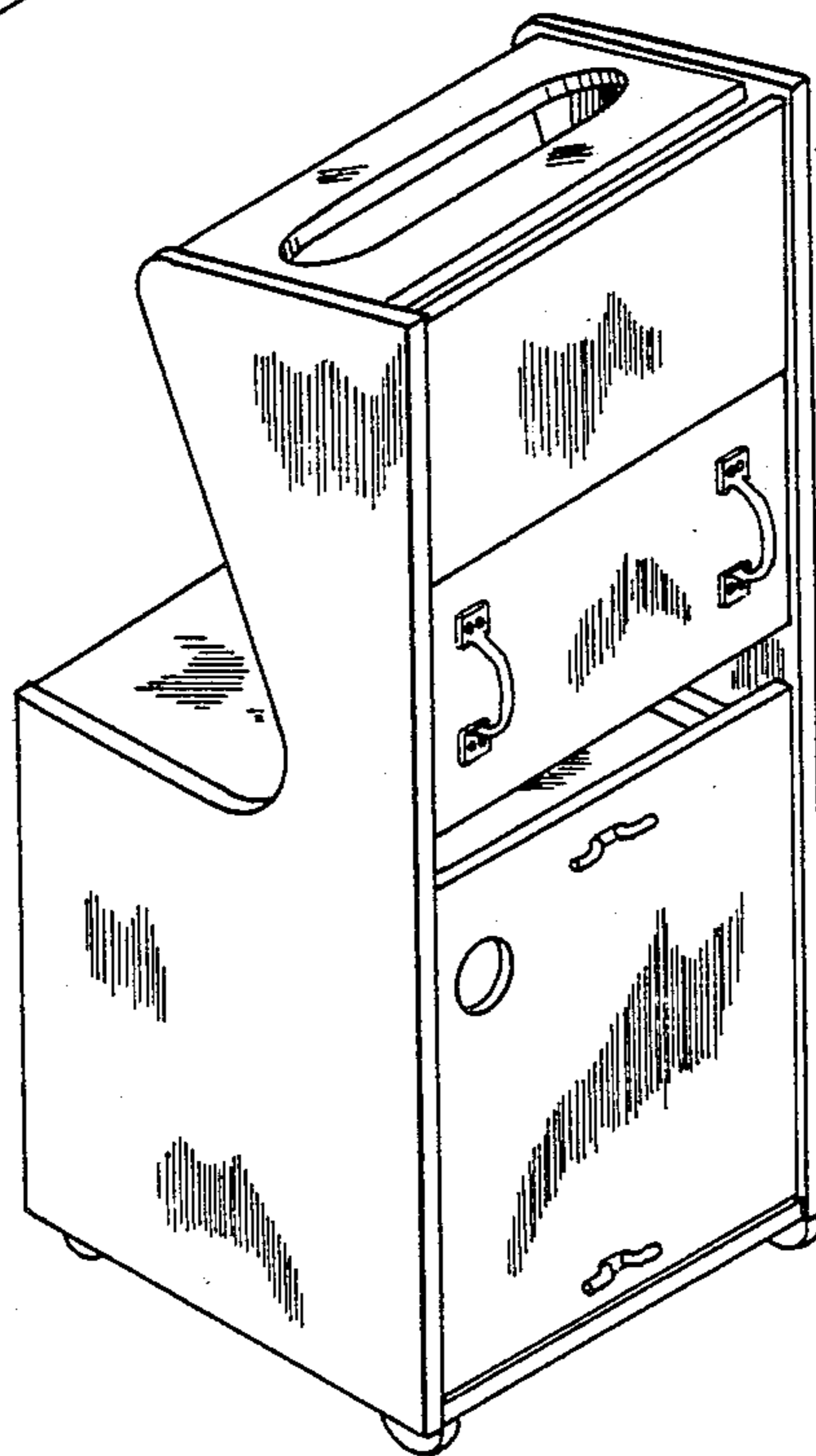


FIG. 9

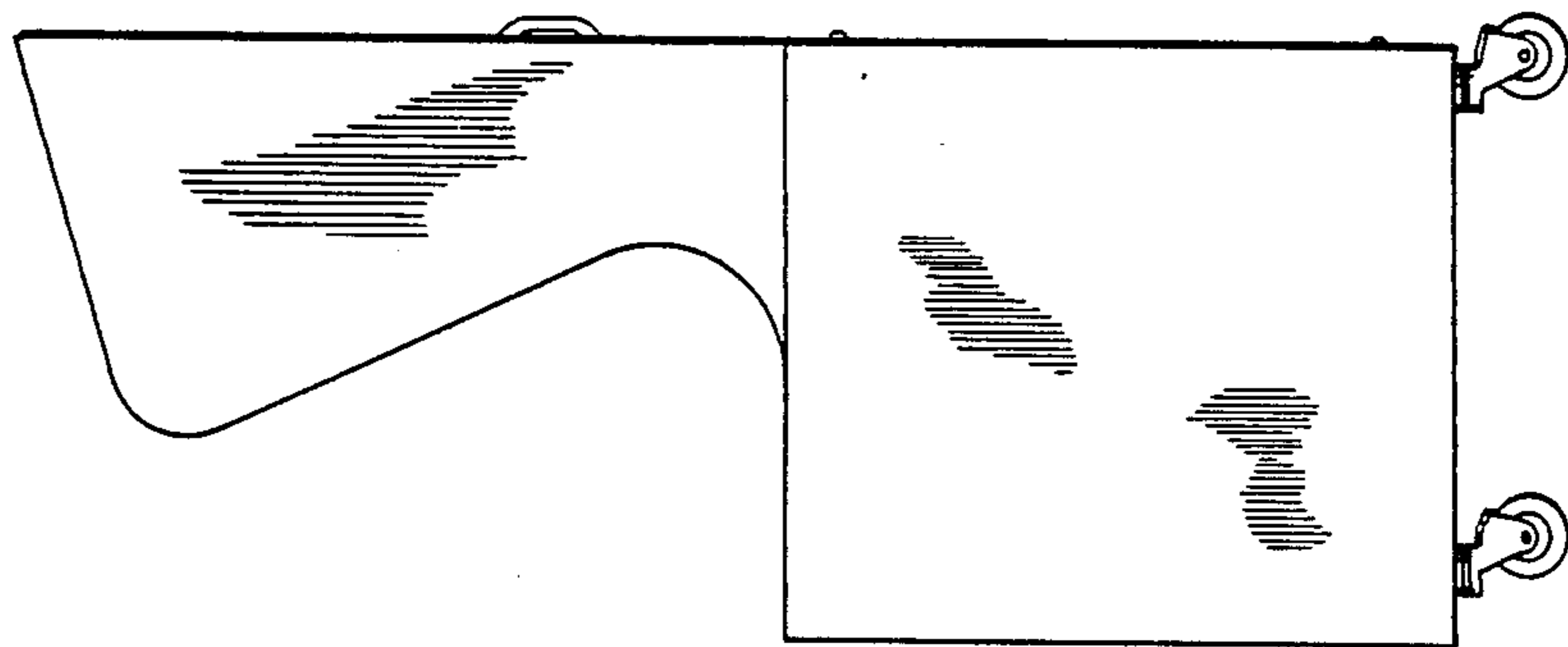


FIG. 11

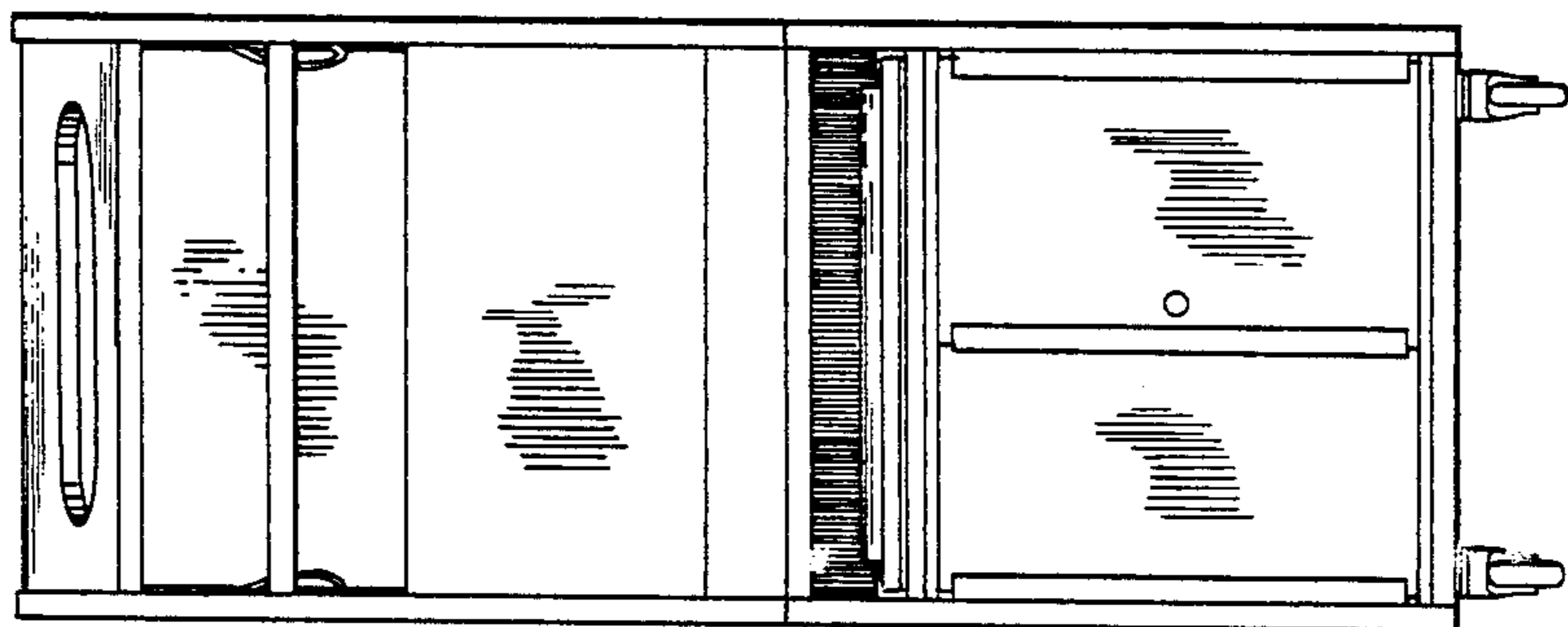


FIG. 10

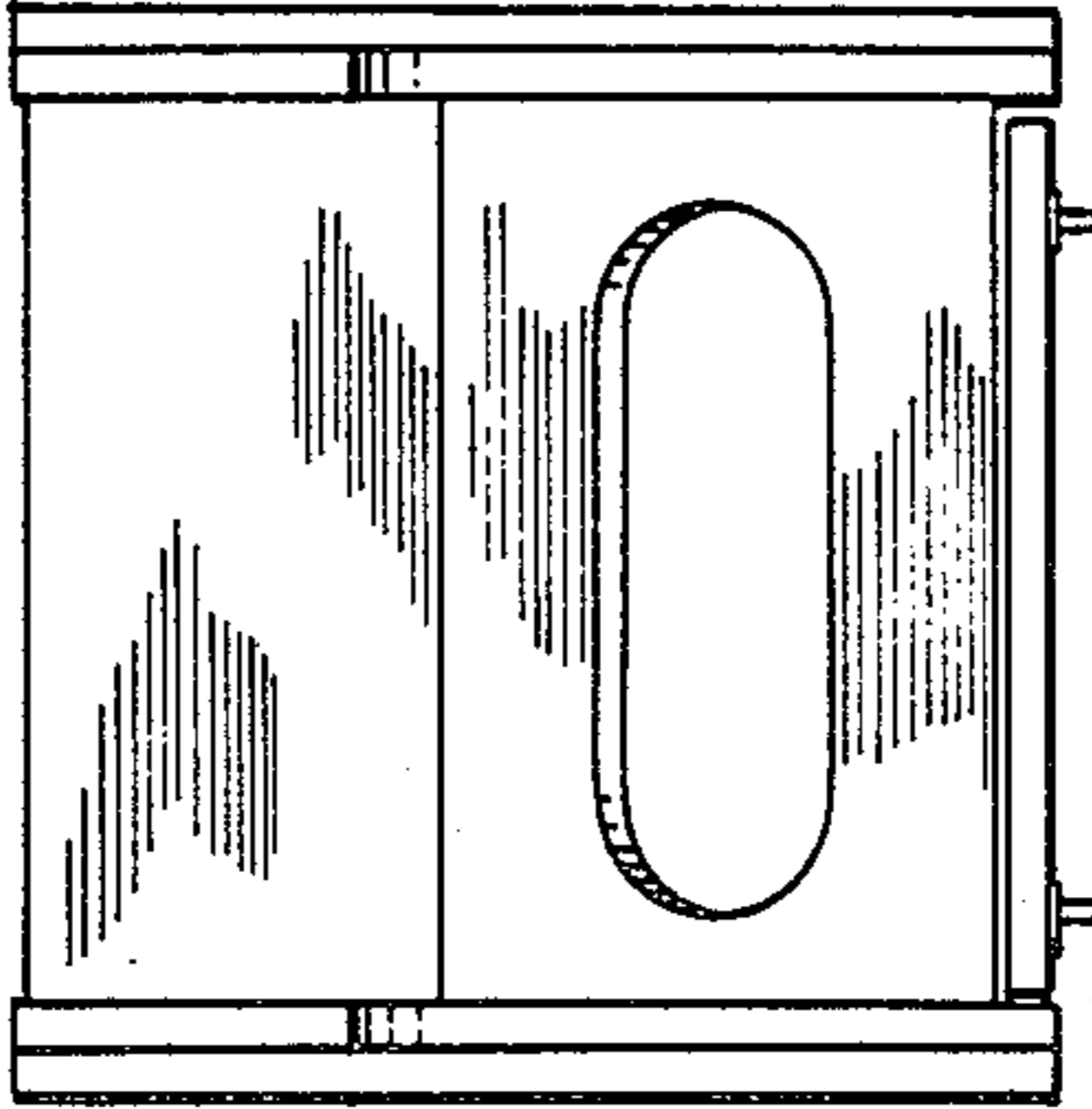


FIG. 13

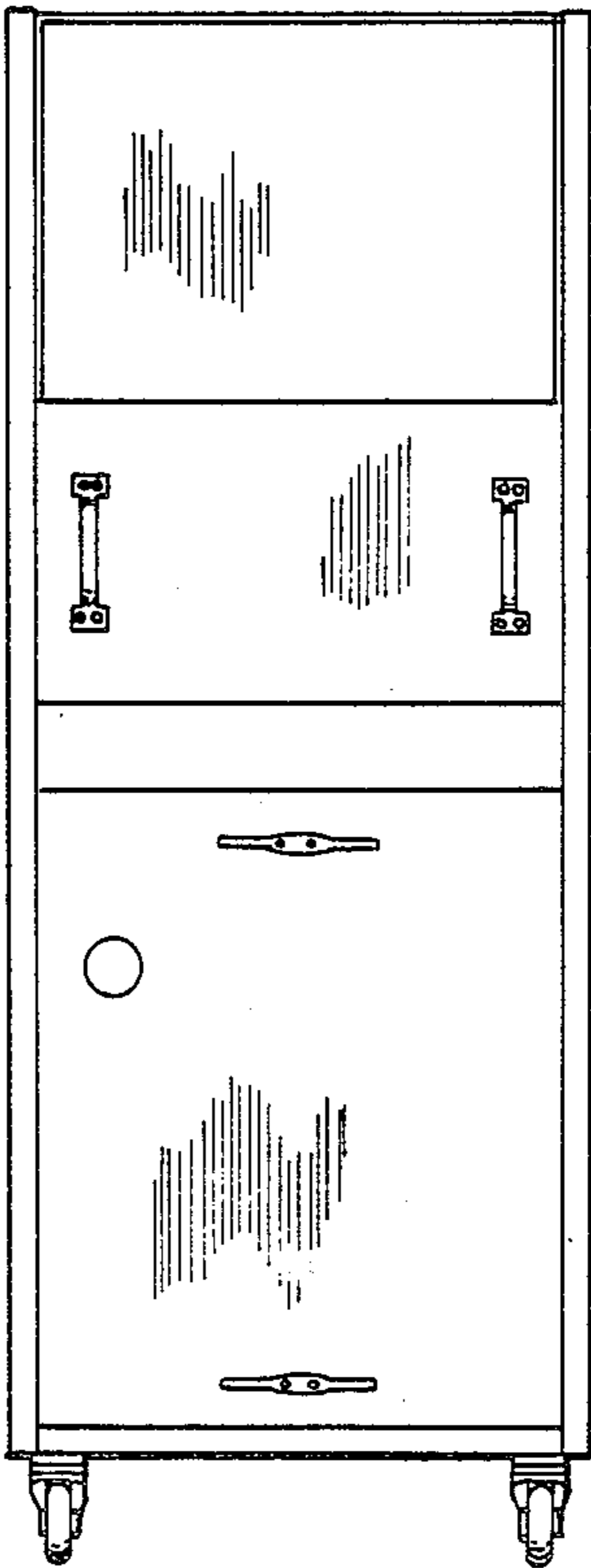


FIG. 12

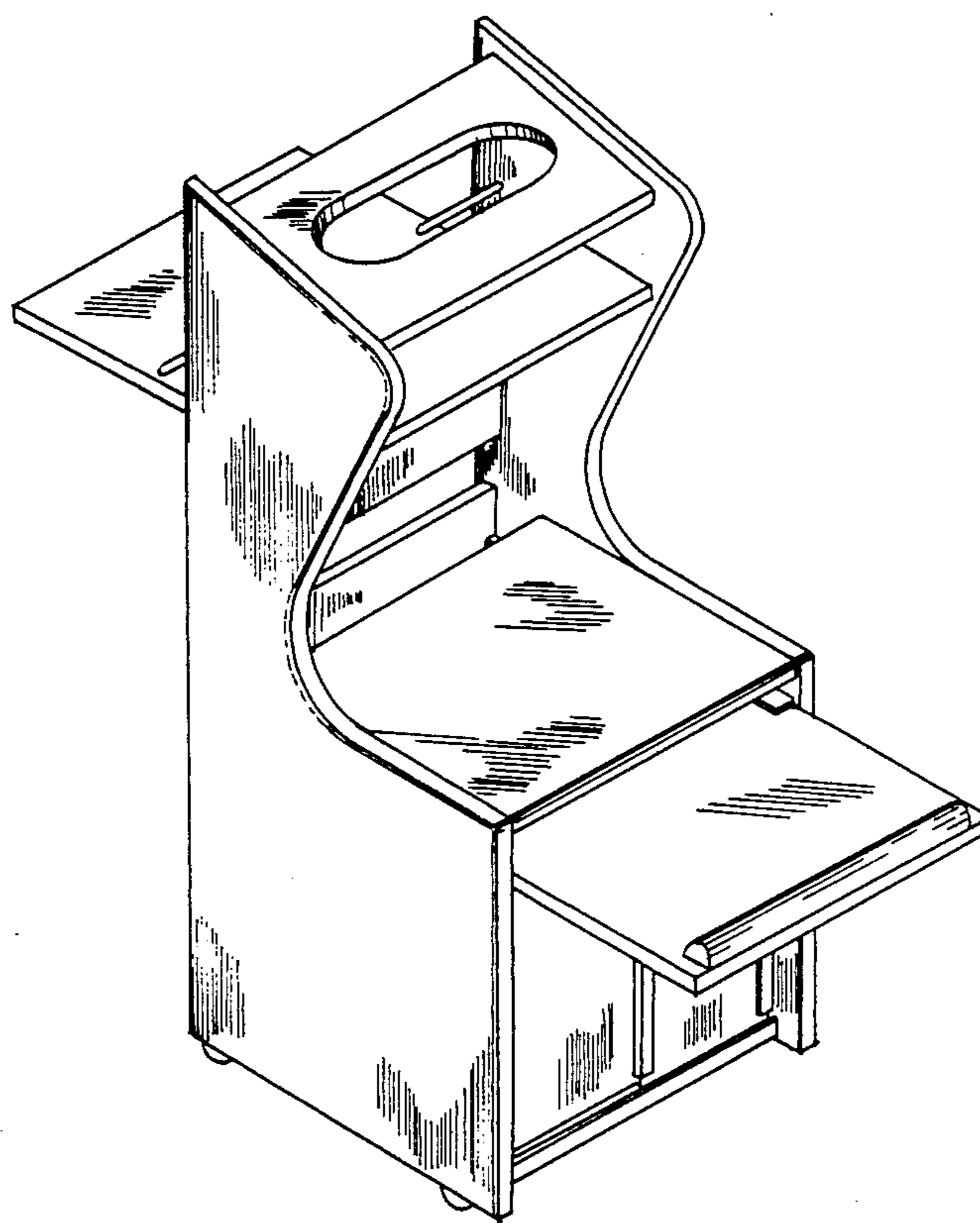


FIG. 14