

[54] **ADJUSTABLE TABLE**

[76] **Inventor: Willian G. Hunt, 1210 E. Main St.,
Sunset Beach, N.C. 28459**

[**] **Term: 14 Years**

[21] **Appl. No.: 745,505**

[22] **Filed: Jun. 17, 1985**

[52] **U.S. Cl. D6/429; D6/419**

[58] **Field of Search D6/429, 430, 422, 423,
D6/477, 480, 419; D34/21**

[56] **References Cited**

U.S. PATENT DOCUMENTS

- D. 188,057 5/1960 Rasmussen D6/484
- D. 216,964 3/1970 Waltz D34/21
- D. 241,191 8/1976 Schwartz D6/429
- D. 286,831 11/1986 Matyear D6/420 X
- D. 288,509 3/1987 Vande Oudeweetering ... D6/429 X

Primary Examiner—Bruce W. Dunkins
Attorney, Agent, or Firm—Clifton Ted Hunt

[57] **CLAIM**

The ornamental design for an adjustable table, as shown and described.

DESCRIPTION

FIG. 1 is a front perspective view of an adjustable table showing my design;
FIG. 2 is an end view looking at the side not shown in FIG. 1;
FIG. 3 is a rear view of the adjustable table;
FIG. 4 is a side elevation of the adjustable table similar to FIG. 2 but showing the table in a lowered position;
FIG. 5 is a front elevation of the adjustable table with the table in the lowered inclined position of FIG. 4;
FIG. 6 is a side elevation of the adjustable table similar to FIG. 2 but showing the table adjusted to a horizontal plane at an intermediate height;
FIG. 7 is a front elevation of the adjustable table in the adjusted position of FIG. 6;
FIG. 8 is a side elevation of the adjustable table similar to FIG. 2 but showing the table at a fully elevated horizontal position;
FIG. 9 is a front elevation of the adjustable table in the position of FIG. 8; and
FIG. 10 is a top plan view of the adjustable table in the position of FIGS. 8 and 9.

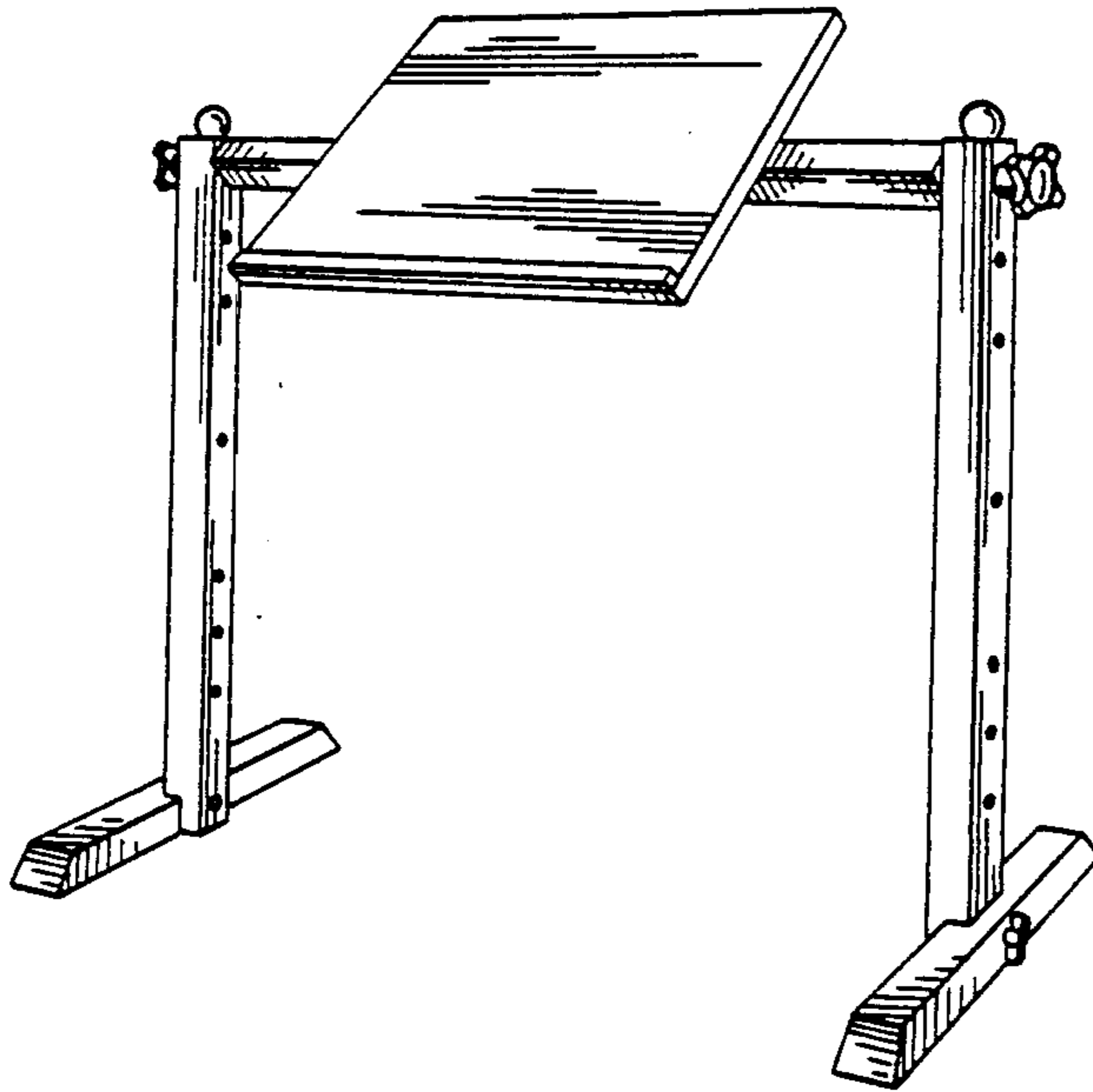


FIG. 1.

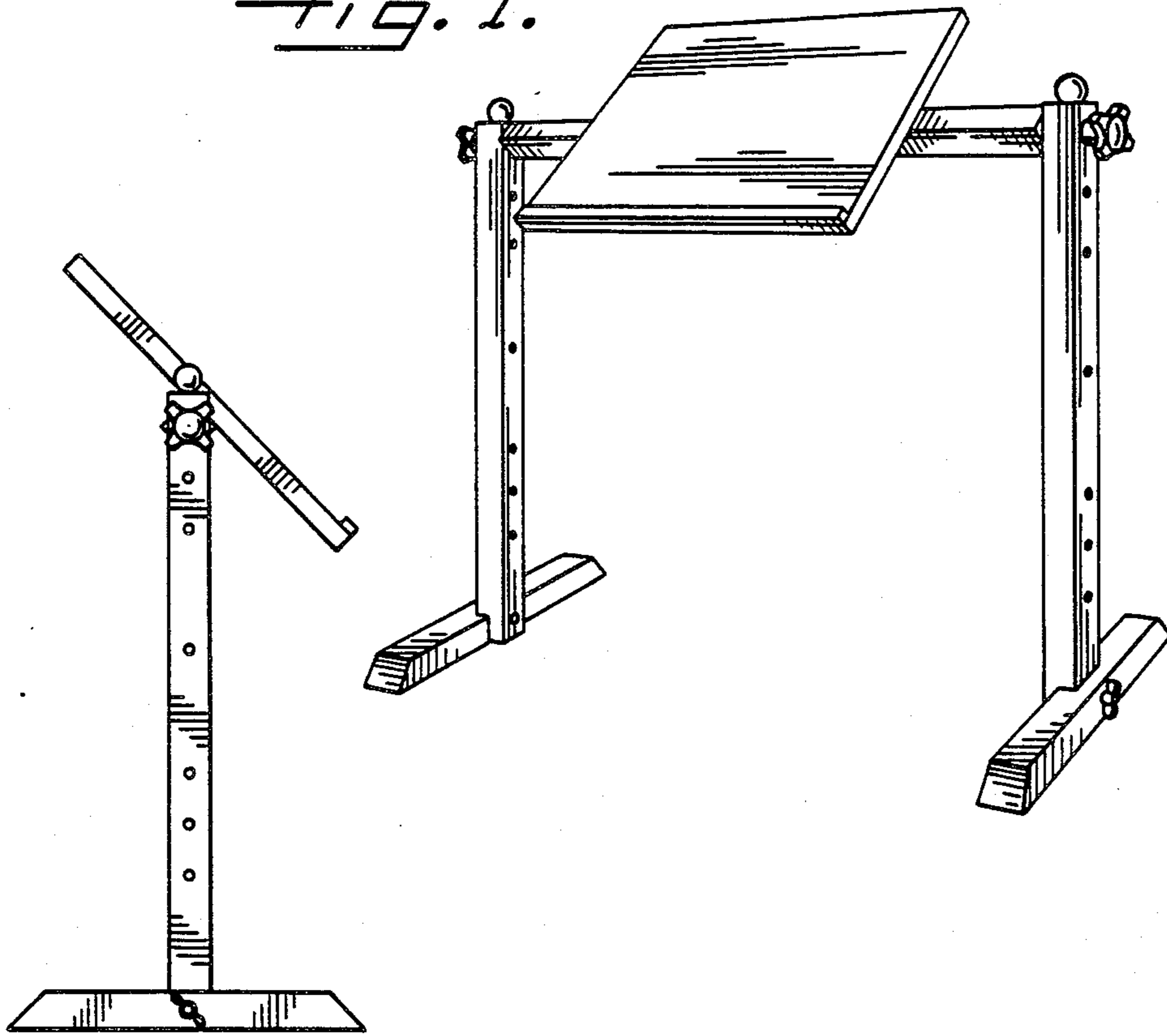


FIG. 2.

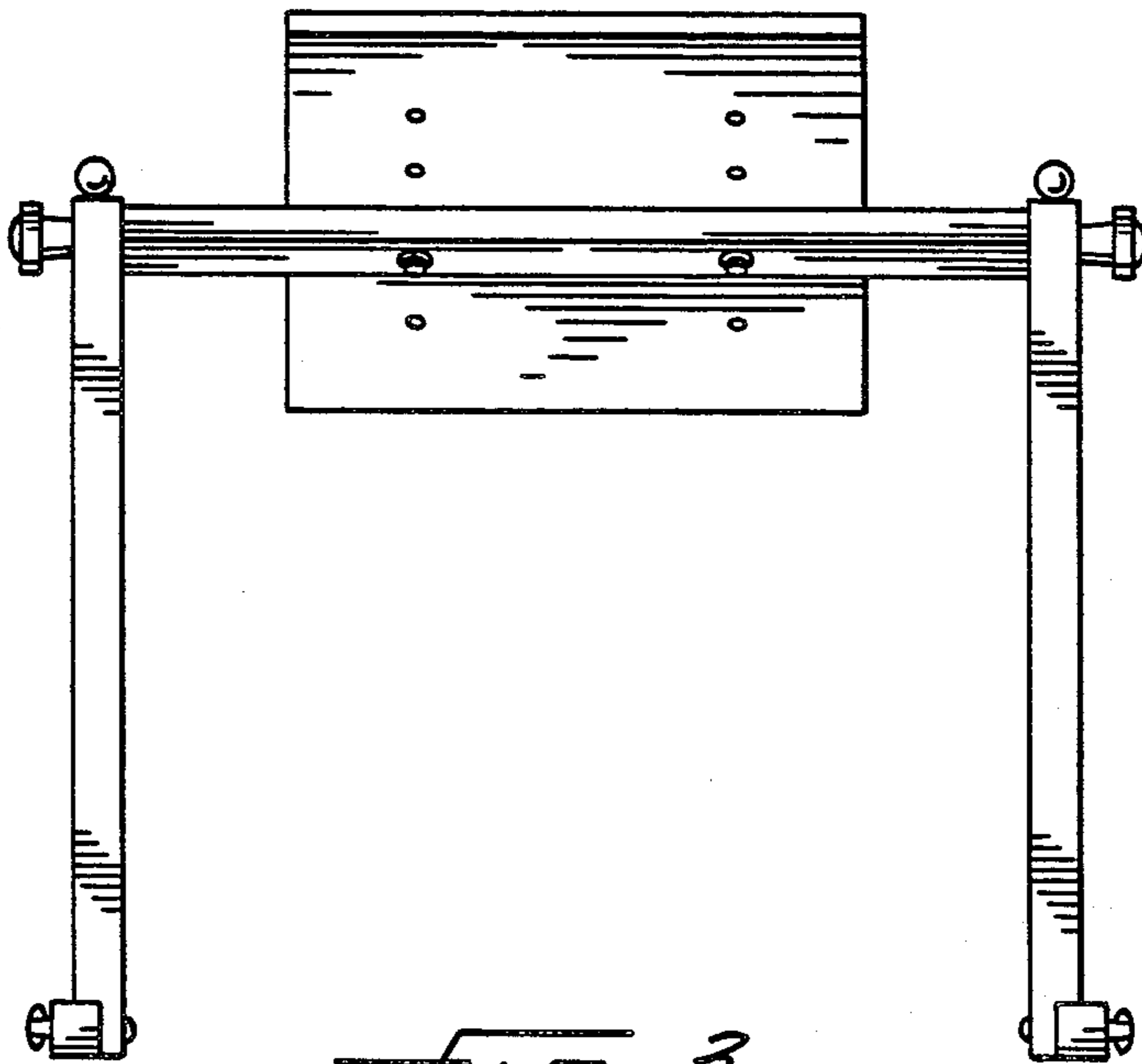


FIG. 3.

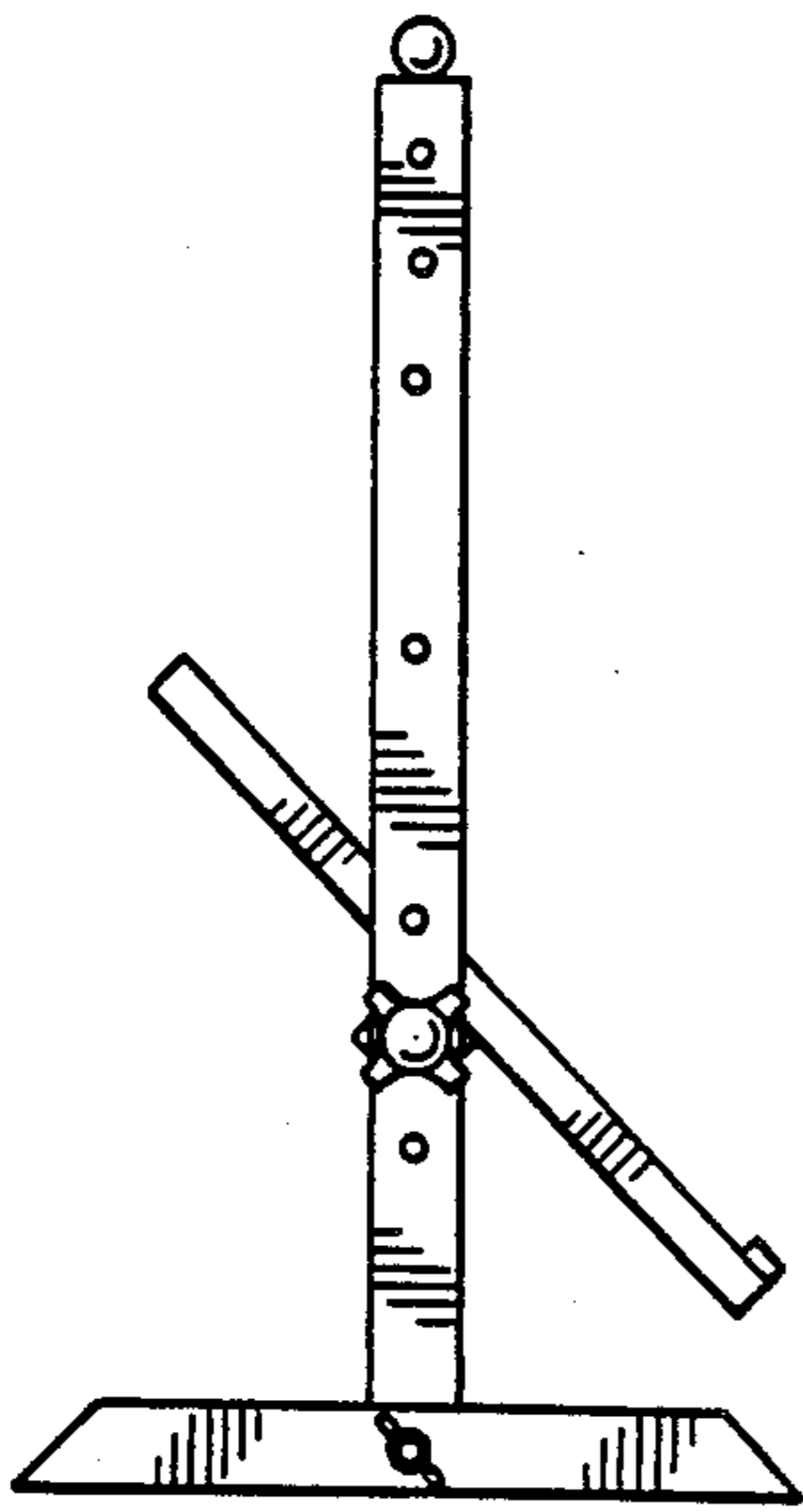


FIG. 4.

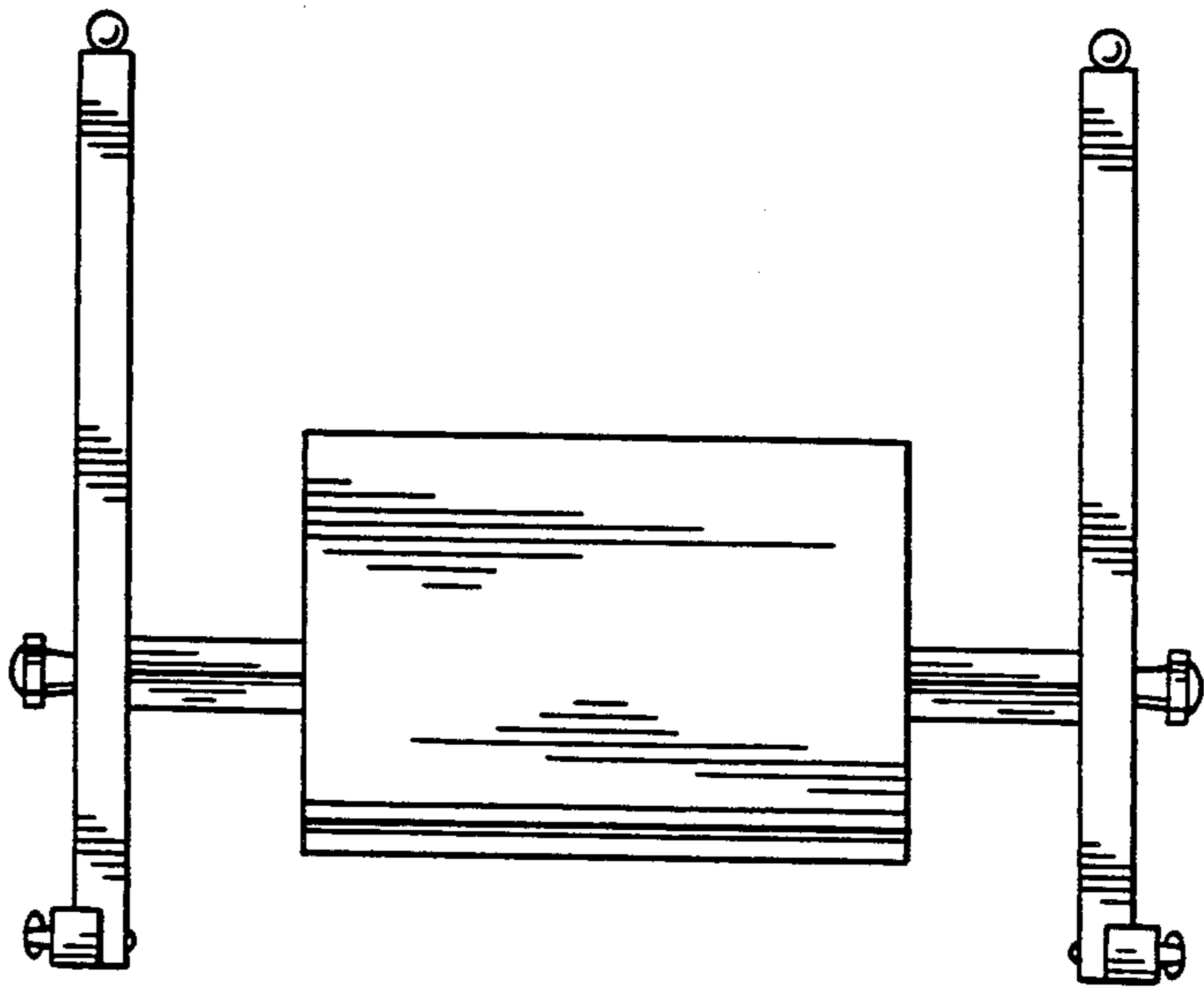


FIG. 5.

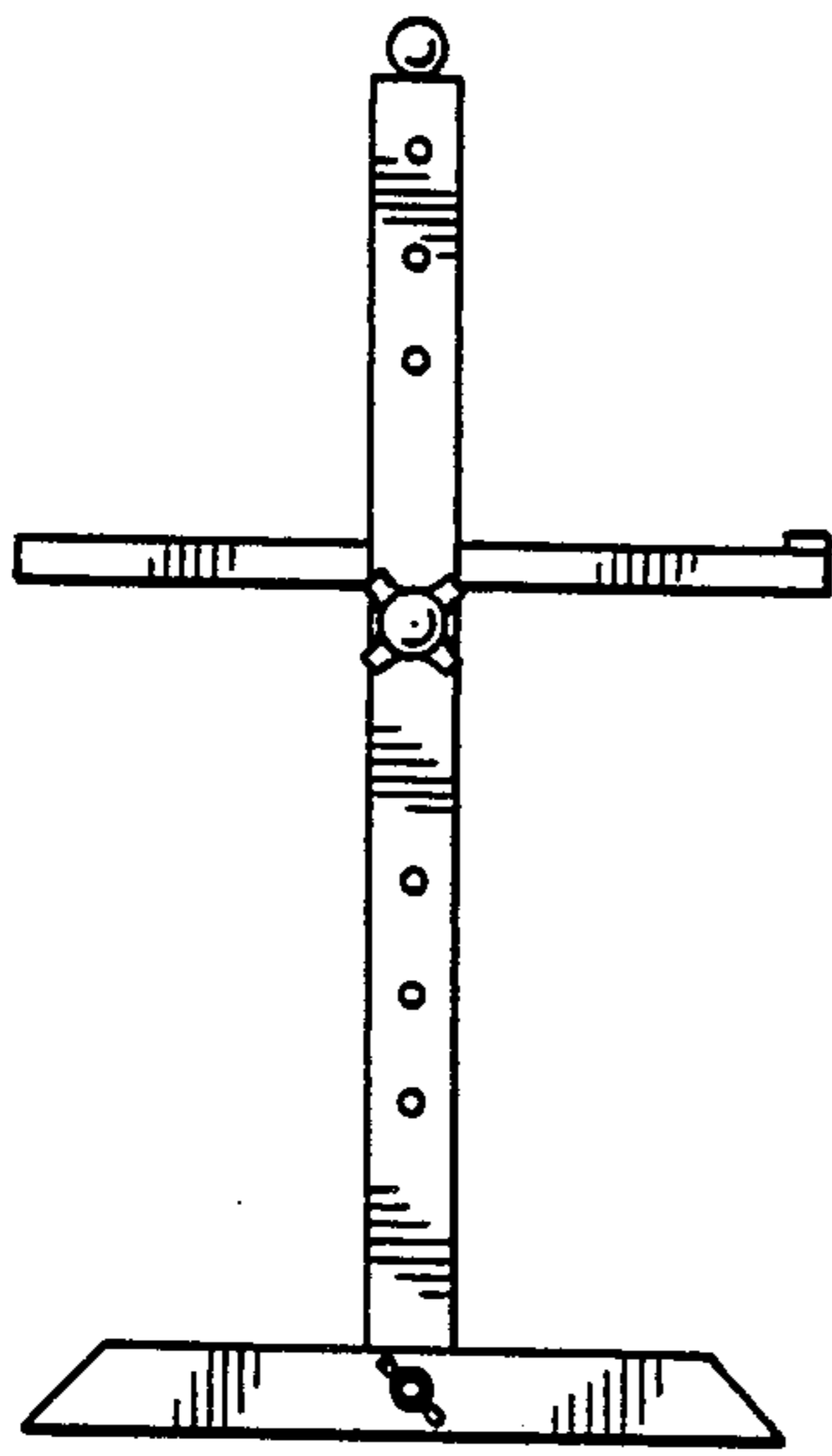


FIG. 6.

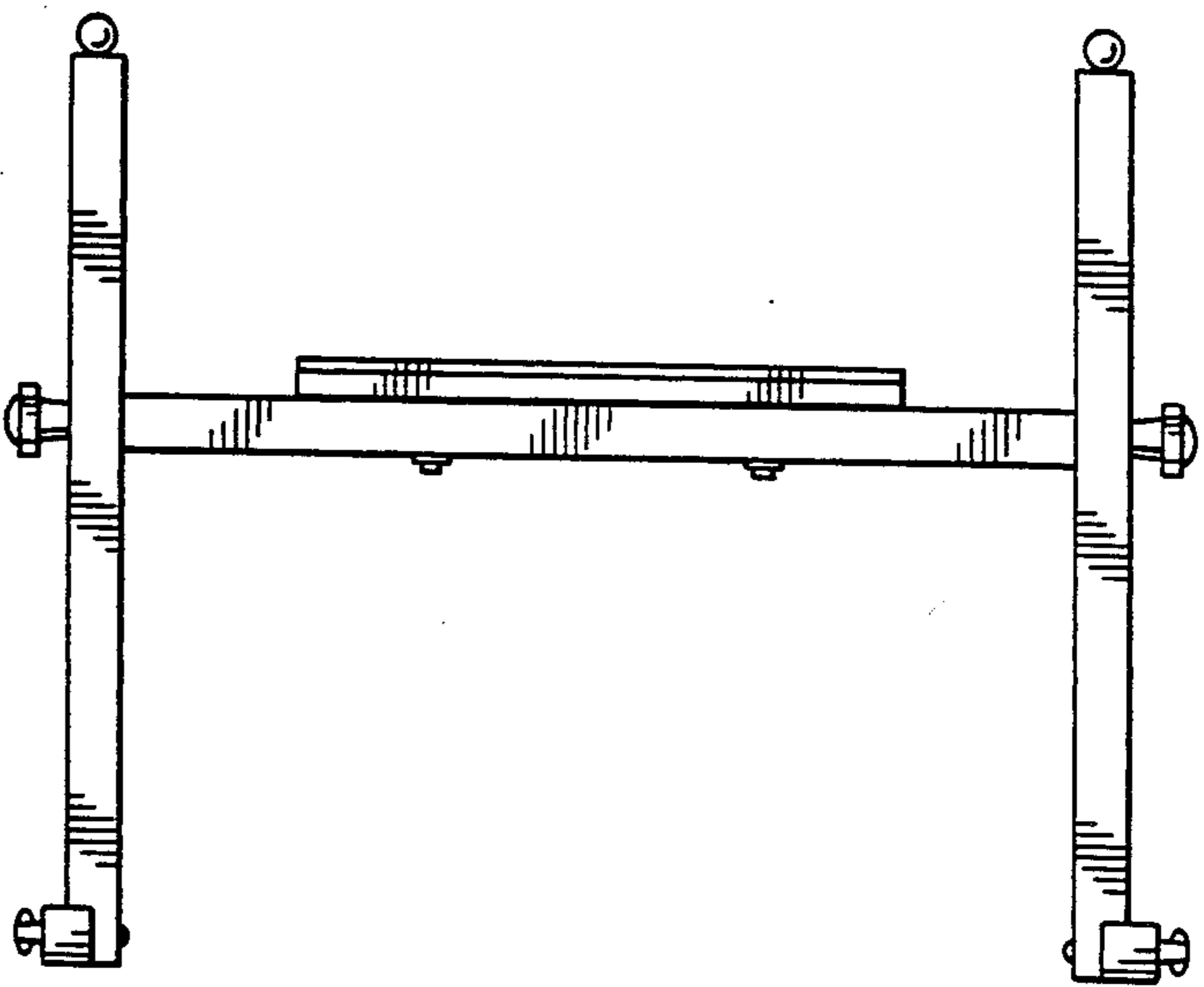


FIG. 7.

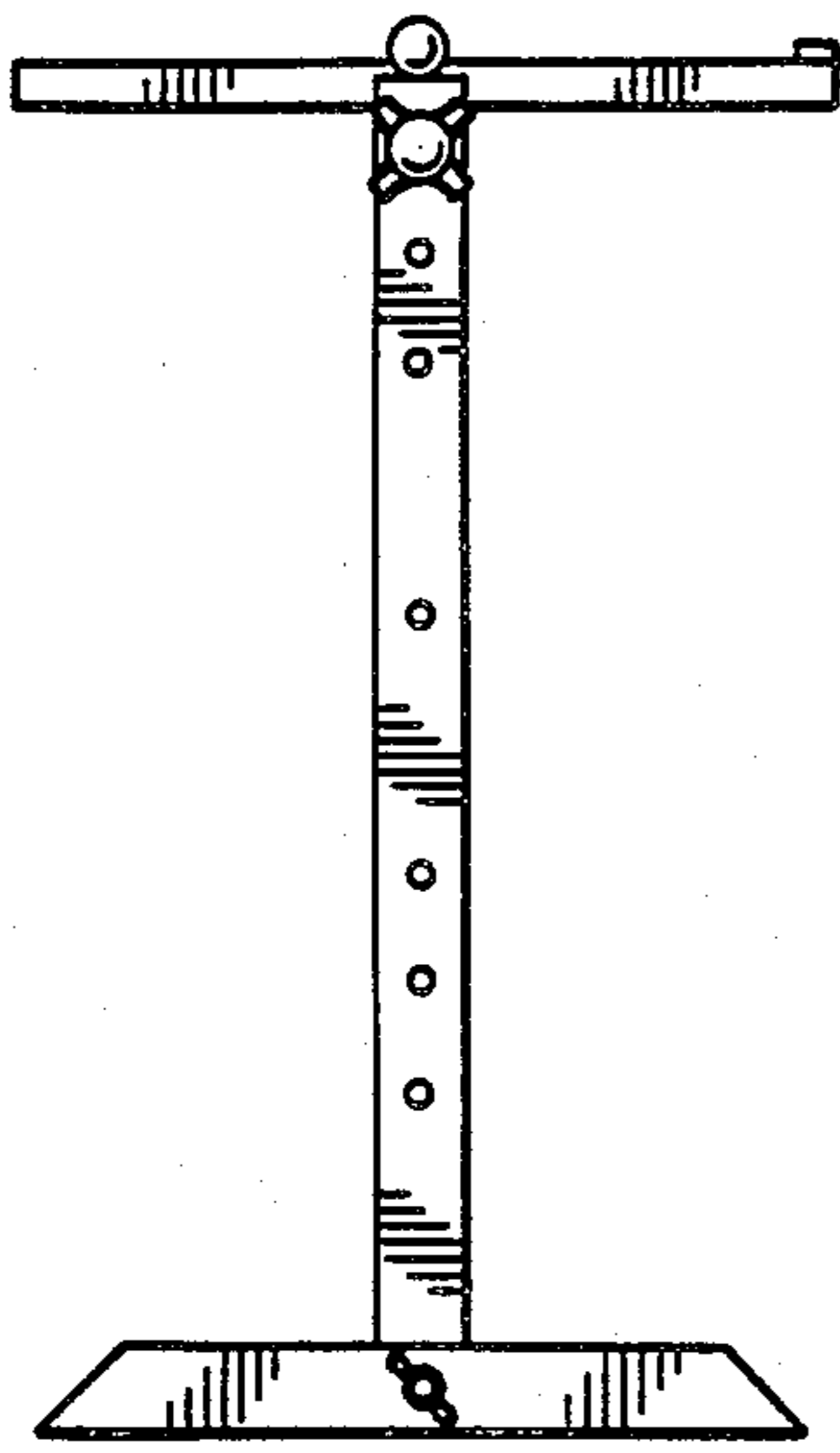


FIG. 8.

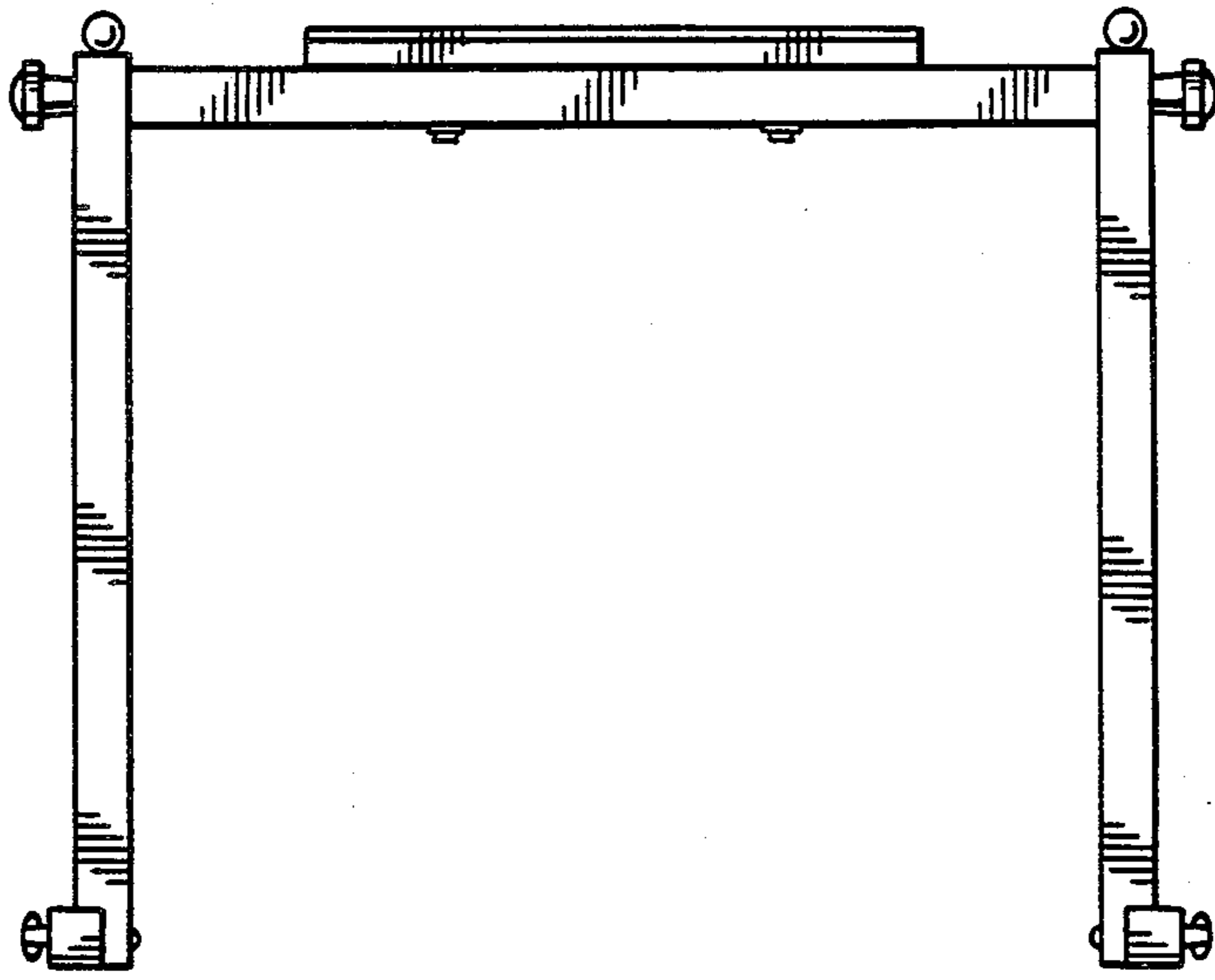


FIG. 9.

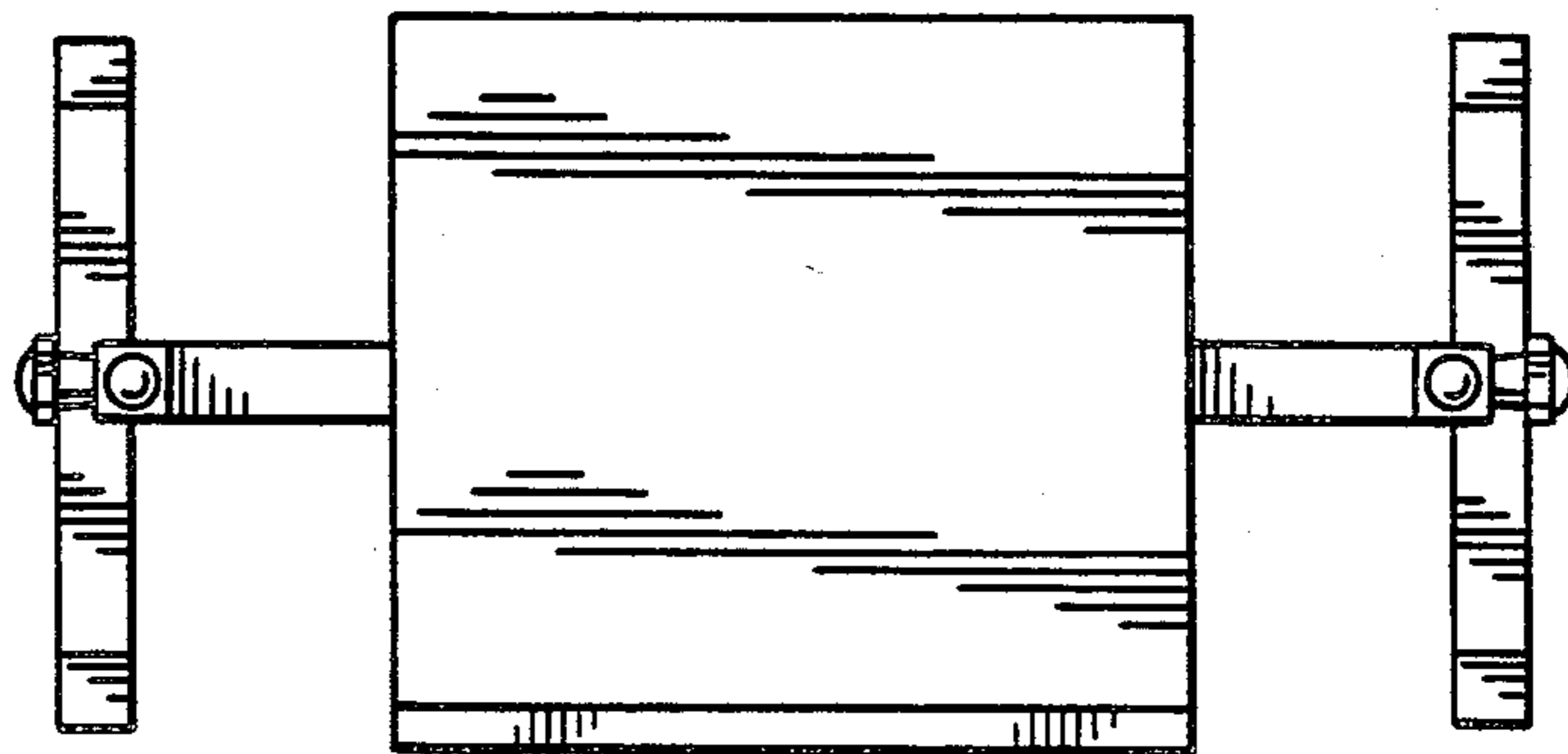


FIG. 10.