

[54] COMPACT DISK STORAGE UNIT

[75] Inventors: James A. Womack, Fremont; Peter J. Palmer, San Jose, both of Calif.

[73] Assignee: Innovative Concepts, Inc., San Jose, Calif.

[\*\*] Term: 14 Years

[21] Appl. No.: 735,827

[22] Filed: May 17, 1985

[52] U.S. Cl. .... D6/407

[58] Field of Search ..... D6/407, 467; 312/8, 312/9, 10, 11, 12; 211/40; D3/35

[56] References Cited

U.S. PATENT DOCUMENTS

- D. 247,393 2/1978 Lowry ..... D6/407 X
- D. 260,197 8/1981 Long et al. .... D6/407
- D. 263,907 4/1982 Pepicell, Jr. et al. .... D6/407

- D. 272,789 2/1984 Stoppino ..... D6/407
- D. 281,658 12/1985 Kikutani ..... D6/407
- D. 283,371 4/1986 Armbruster ..... D6/407 X
- D. 283,957 5/1986 Stravitz ..... D6/407
- 4,655,345 4/1987 Drake et al. .... 312/12 X

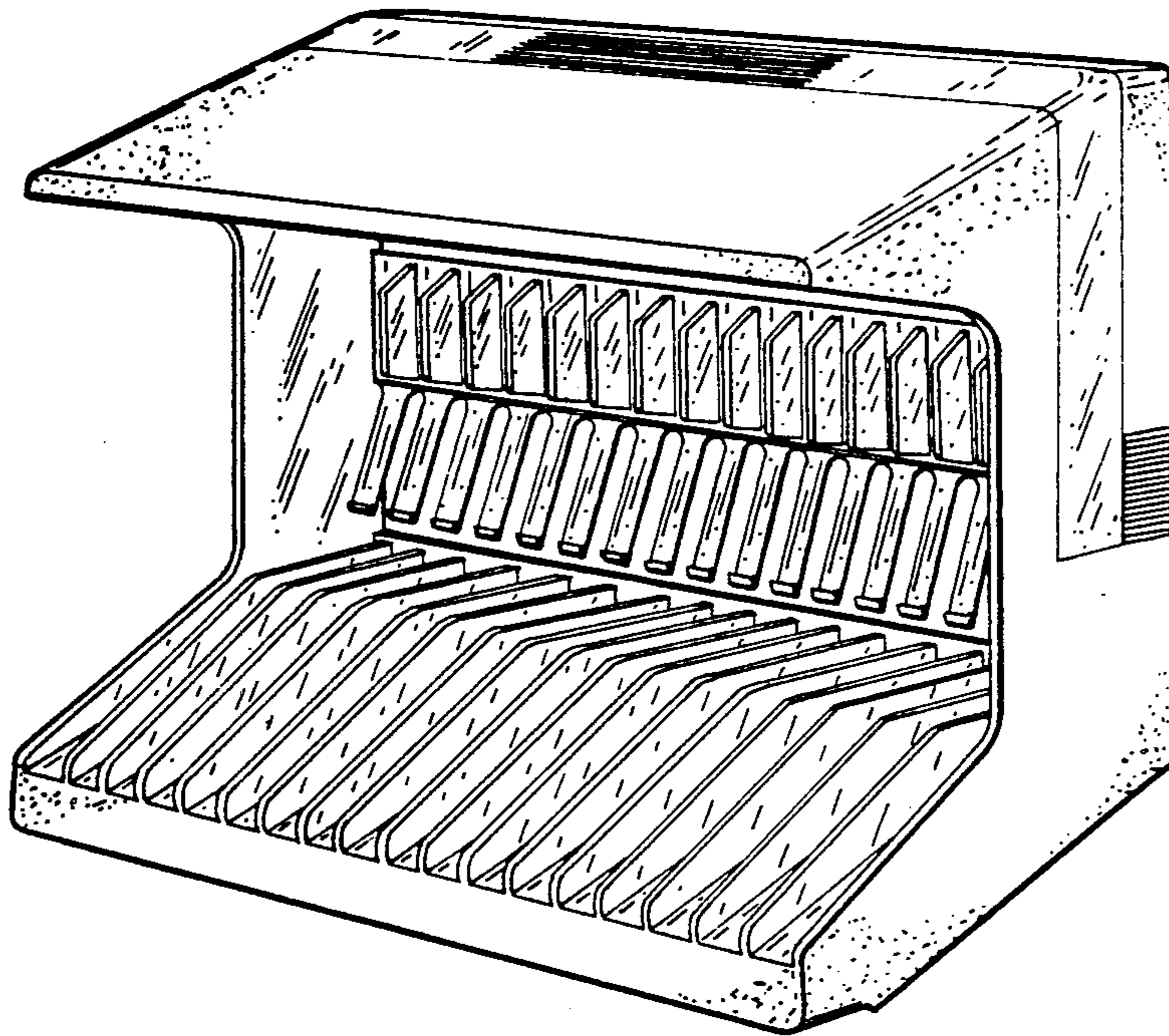
Primary Examiner—Carmen H. Vales  
Attorney, Agent, or Firm—Robert O. Guillot

[57] CLAIM

The ornamental design for a compact disk storage unit, substantially as shown and described.

DESCRIPTION

FIG. 1 is a perspective view of a compact disk storage unit showing our new design; FIG. 2 is a front elevational view thereof; and FIG. 3 is a top plan view thereof; FIG. 4 is a rear elevational view thereof; and FIG. 5 is a right side elevational view in position of use, the left side being a mirror image thereof.



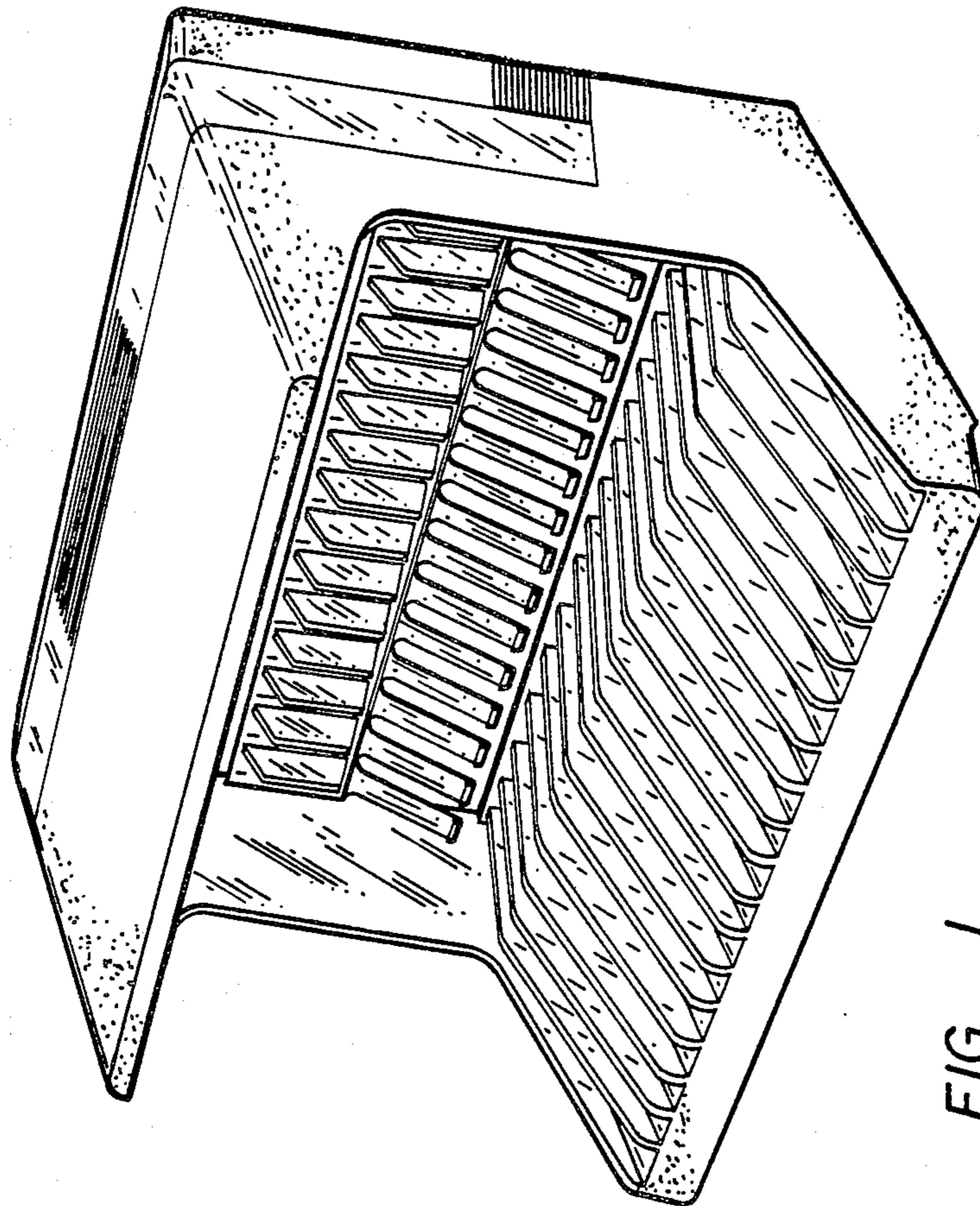


FIG. 1

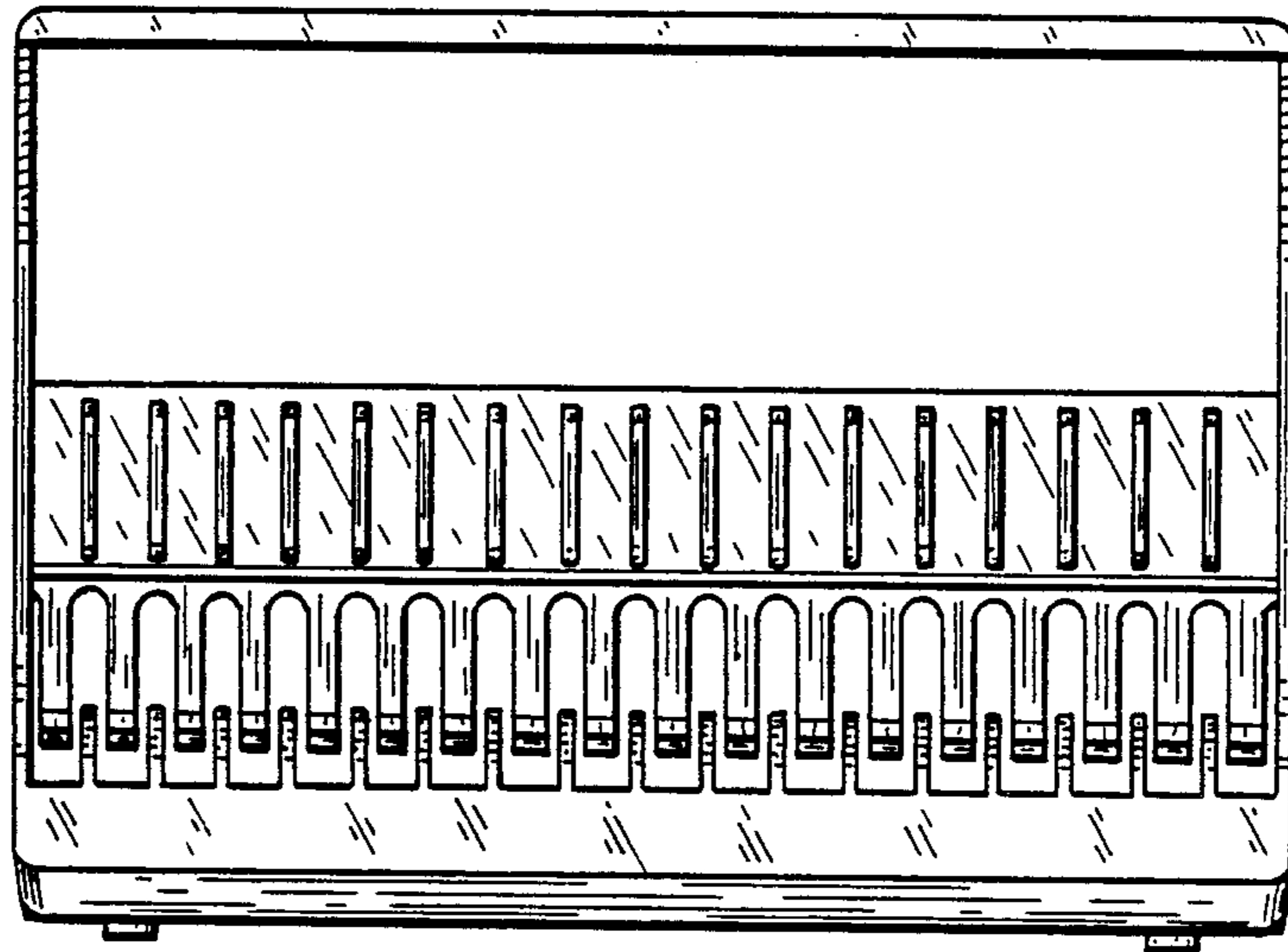


FIG. 2

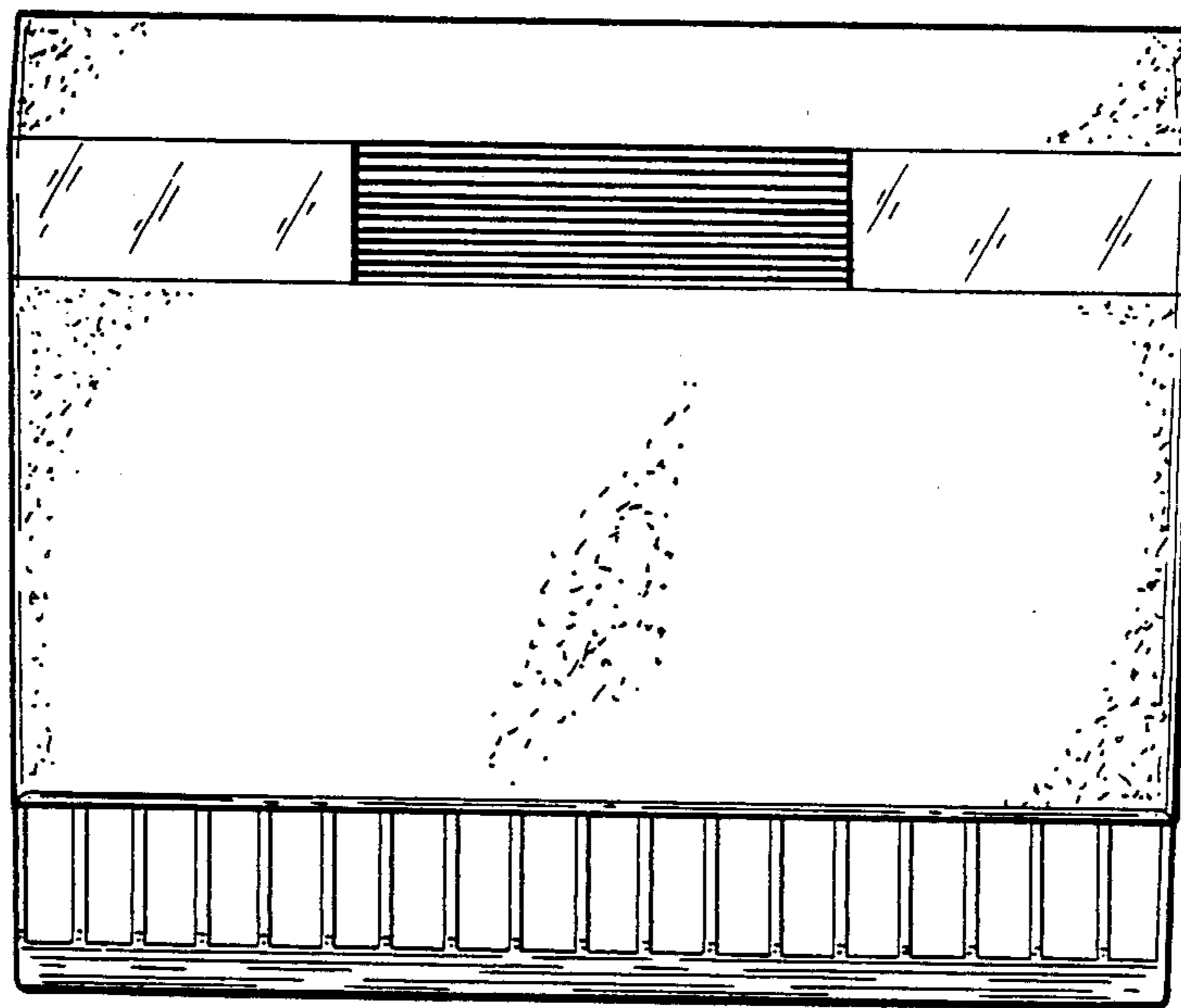


FIG. 3

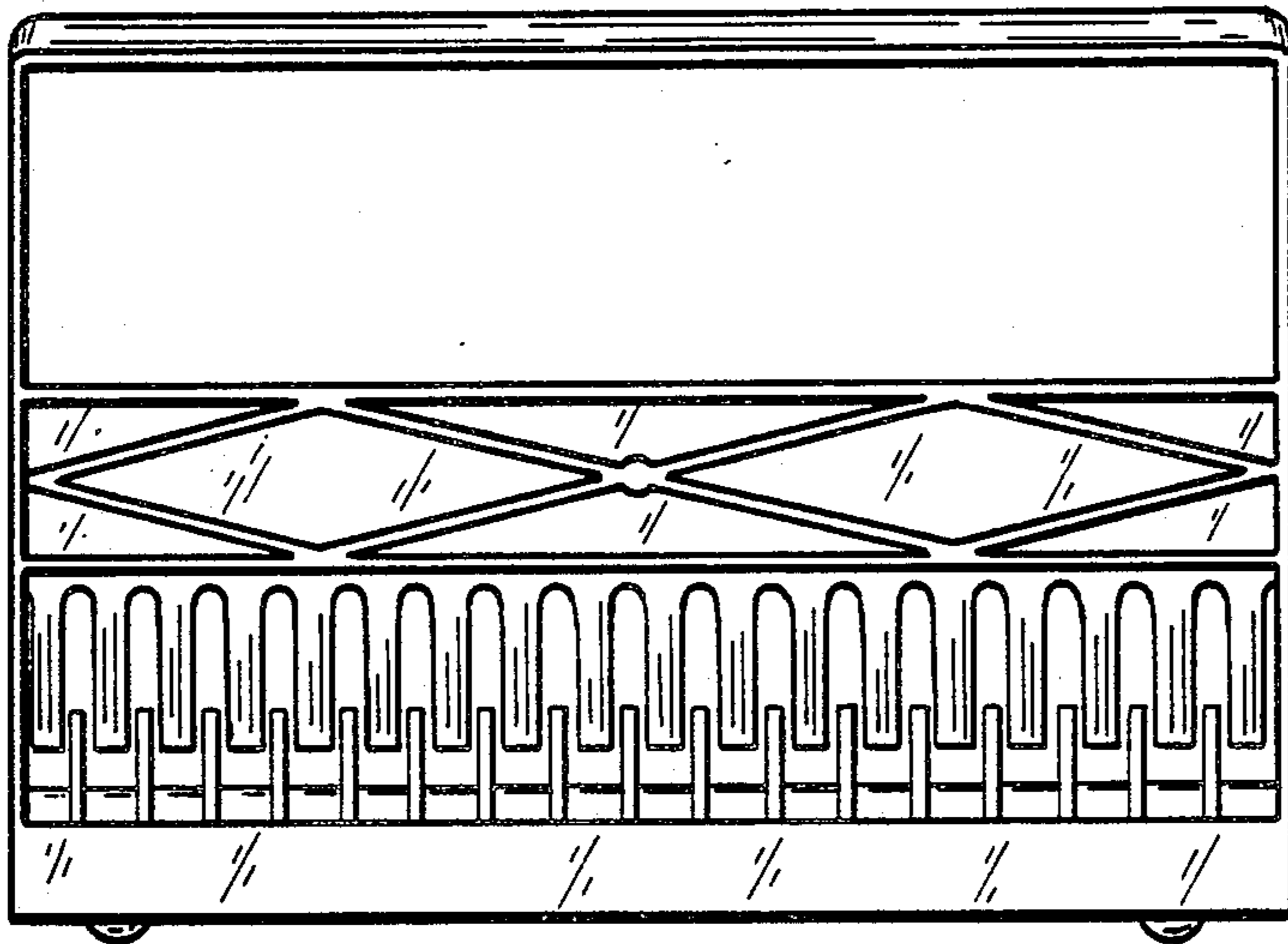


FIG. 4

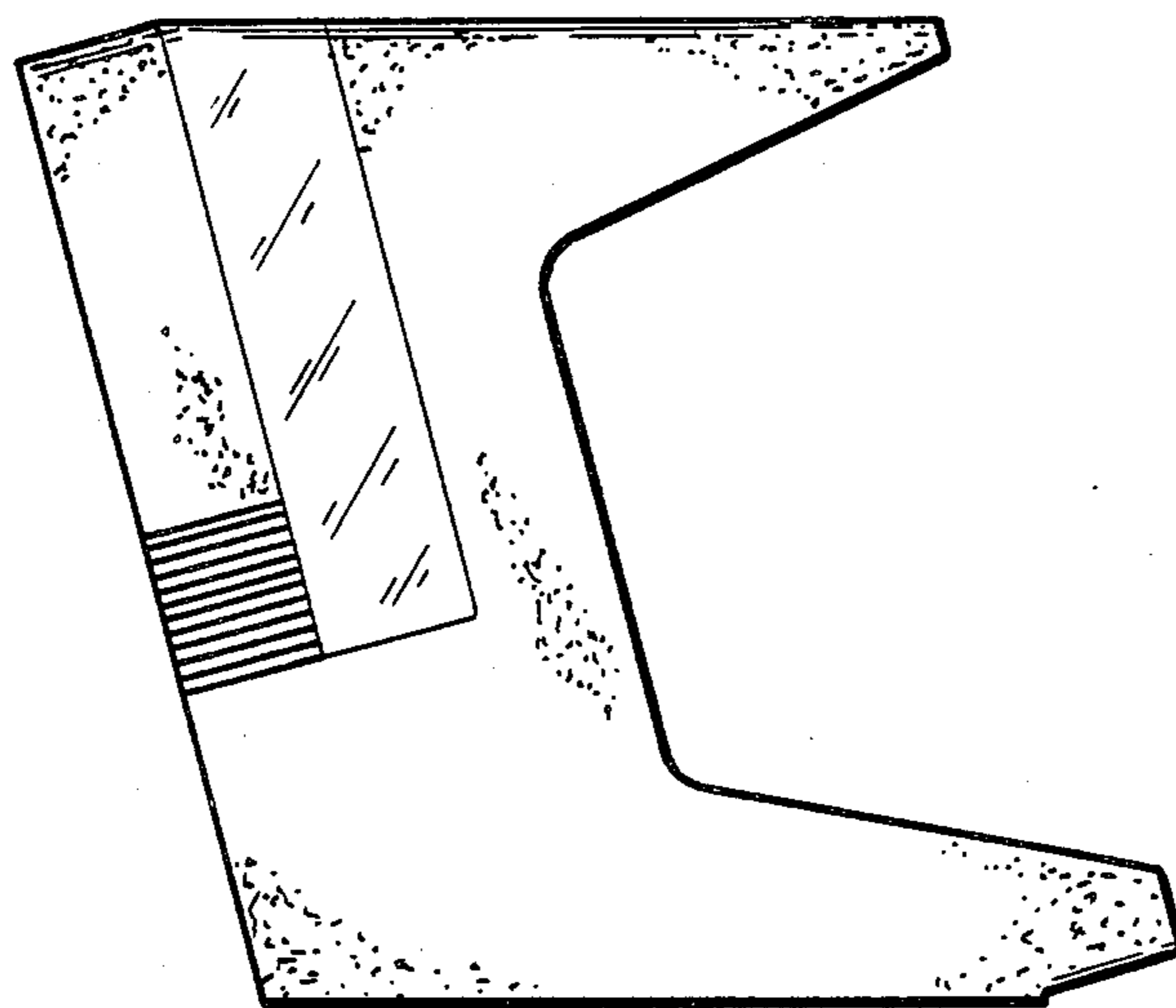


FIG. 5