

United States Patent [19]

Bothun et al.

[11] Patent Number: Des. 293,393

[45] Date of Patent: ** Dec. 29, 1987

[54] **COMBINED SEAT AND CONTAINER**

[75] Inventors: Eugene L. Bothun, Loveland;
Michael C. McGuire, Littleton, both
of Colo.

[73] Assignee: Sit-N-Sip, Inc., Huntington Beach,
Calif.

[**] Term: 14 Years

[21] Appl. No.: 733,937

[22] Filed: May 14, 1985

[52] U.S. CL. D6/335; D6/355;
D6/358; D6/604; D9/367

[58] Field of Search D6/333, 335, 355, 358,
D6/604; D9/305, 367

[56] **References Cited**

U.S. PATENT DOCUMENTS

D. 230,784 3/1974 Lo Turco D6/335
D. 255,933 7/1980 Link D6/604 X

D. 278,191 4/1985 Johansson D6/333
3,560,047 2/1971 Davis 297/118 X
3,763,972 10/1973 Karzmar 190/8
3,814,288 6/1974 Westrich D7/77 X

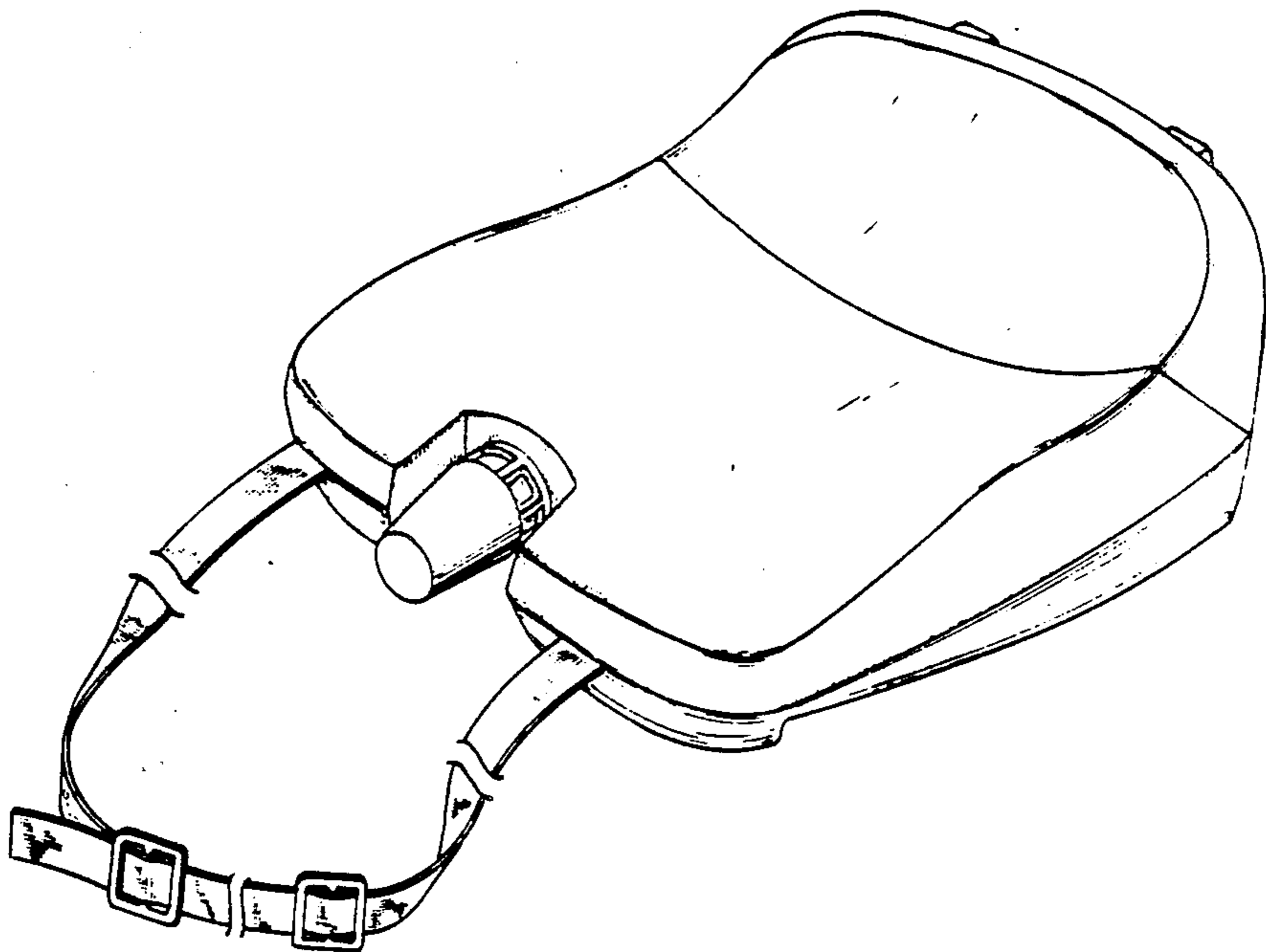
Primary Examiner—Bruce W. Dunkins
Attorney, Agent, or Firm—James R. Young

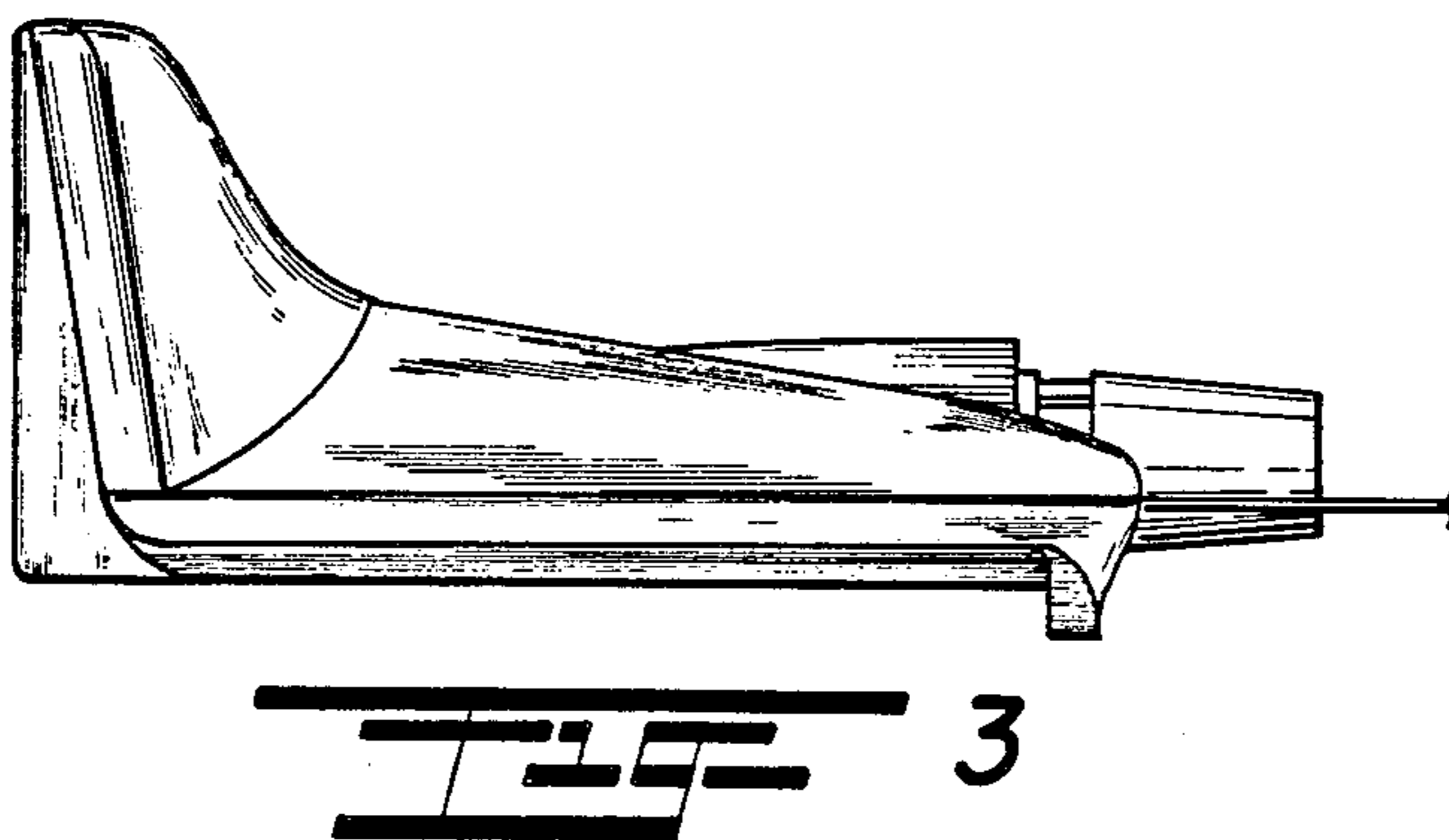
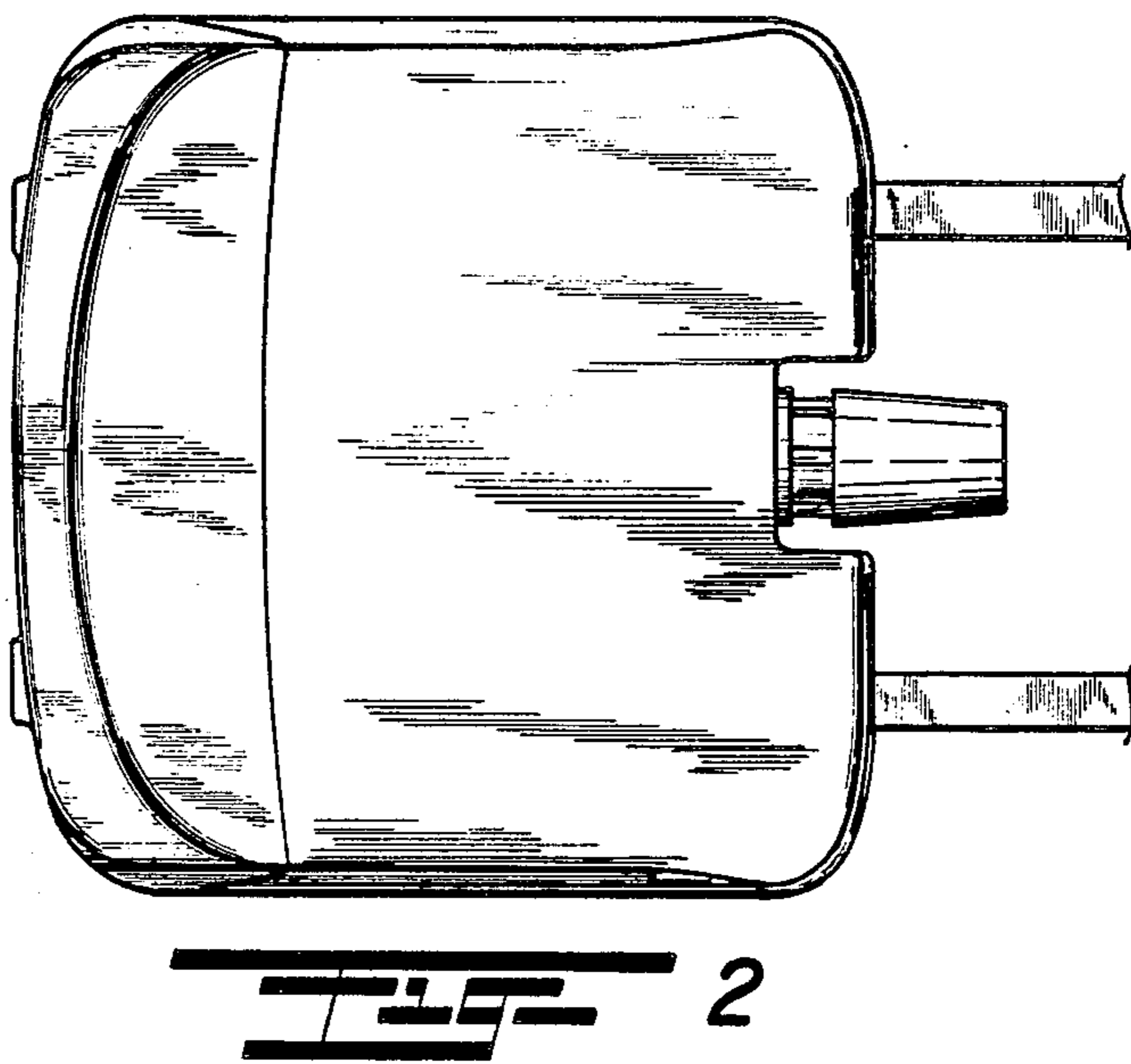
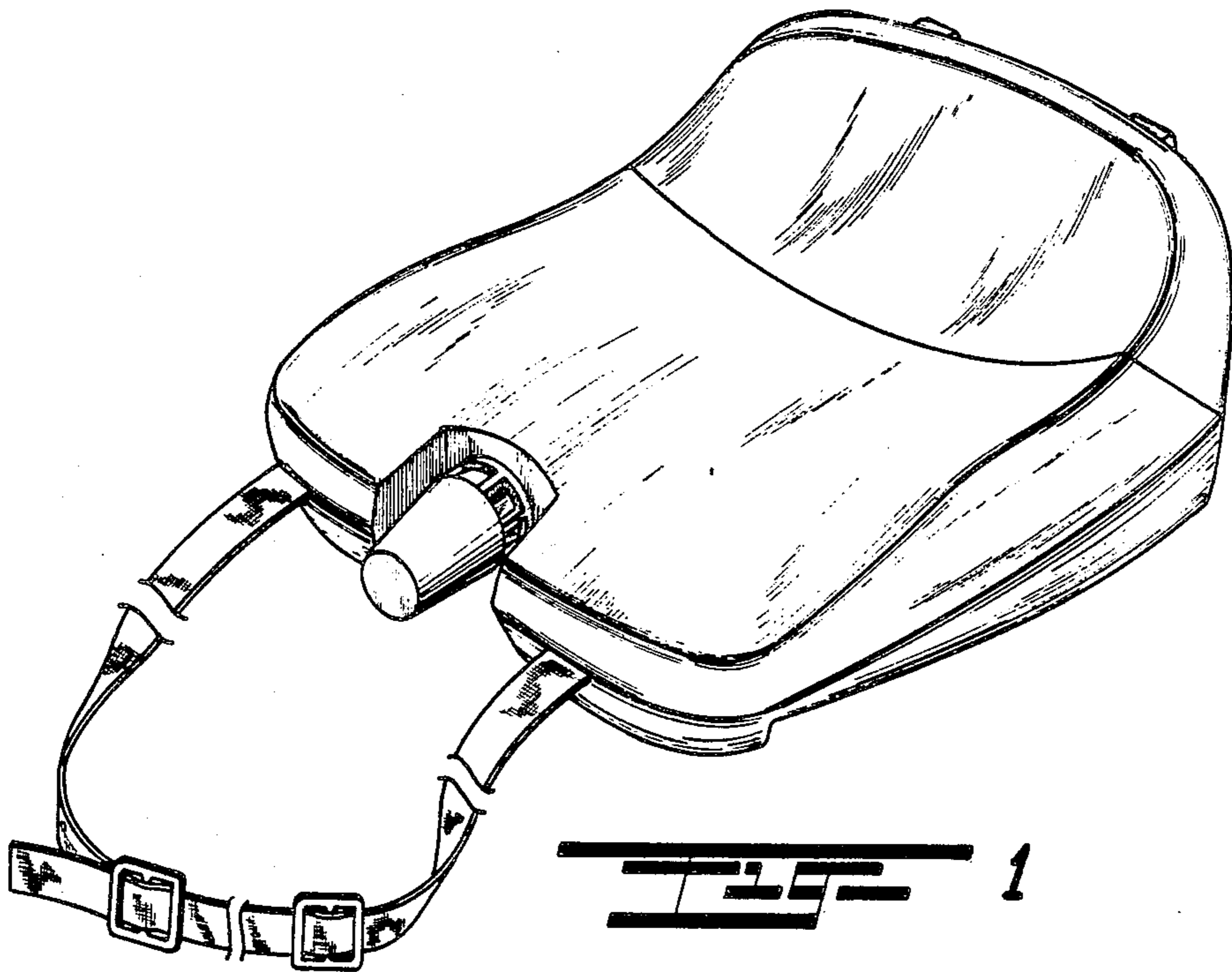
[57] **CLAIM**

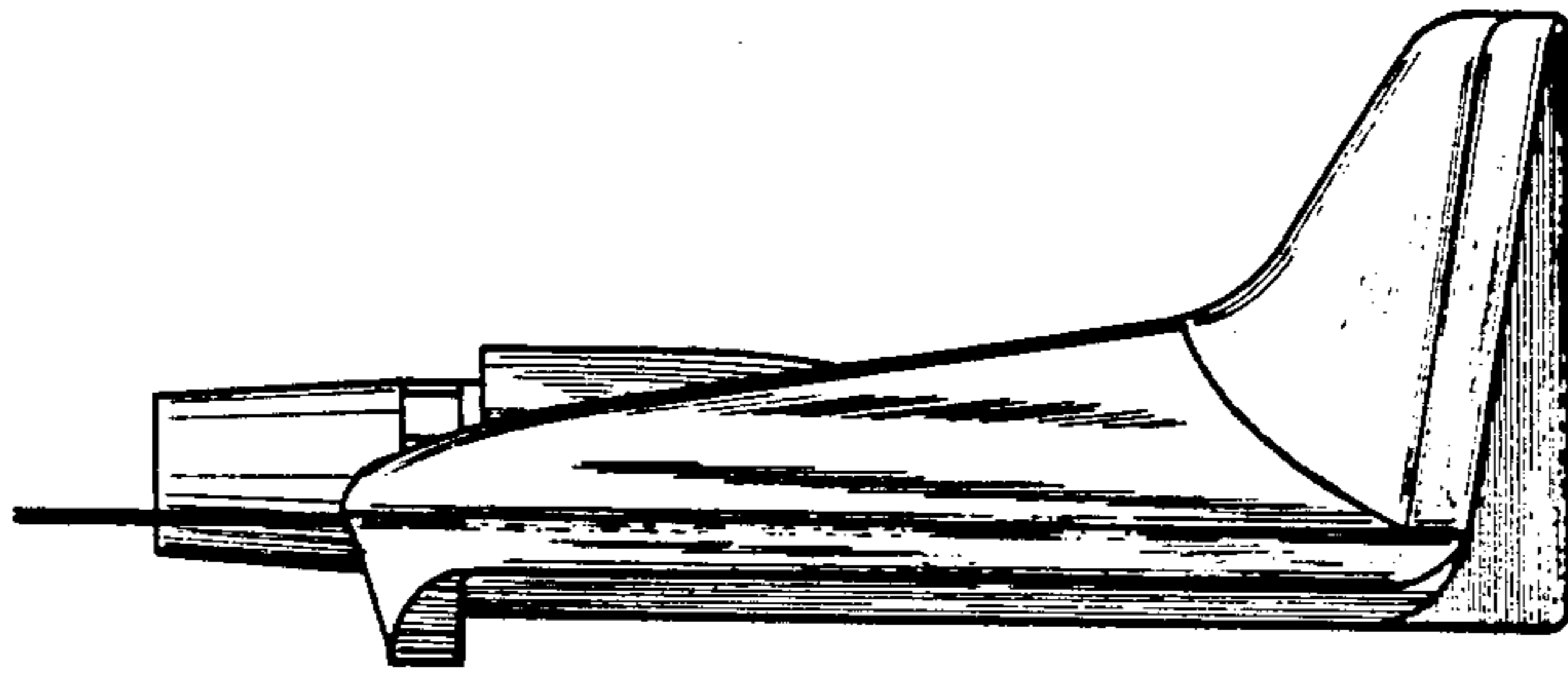
The ornamental design of a combined seat and container, as shown and described.

DESCRIPTION

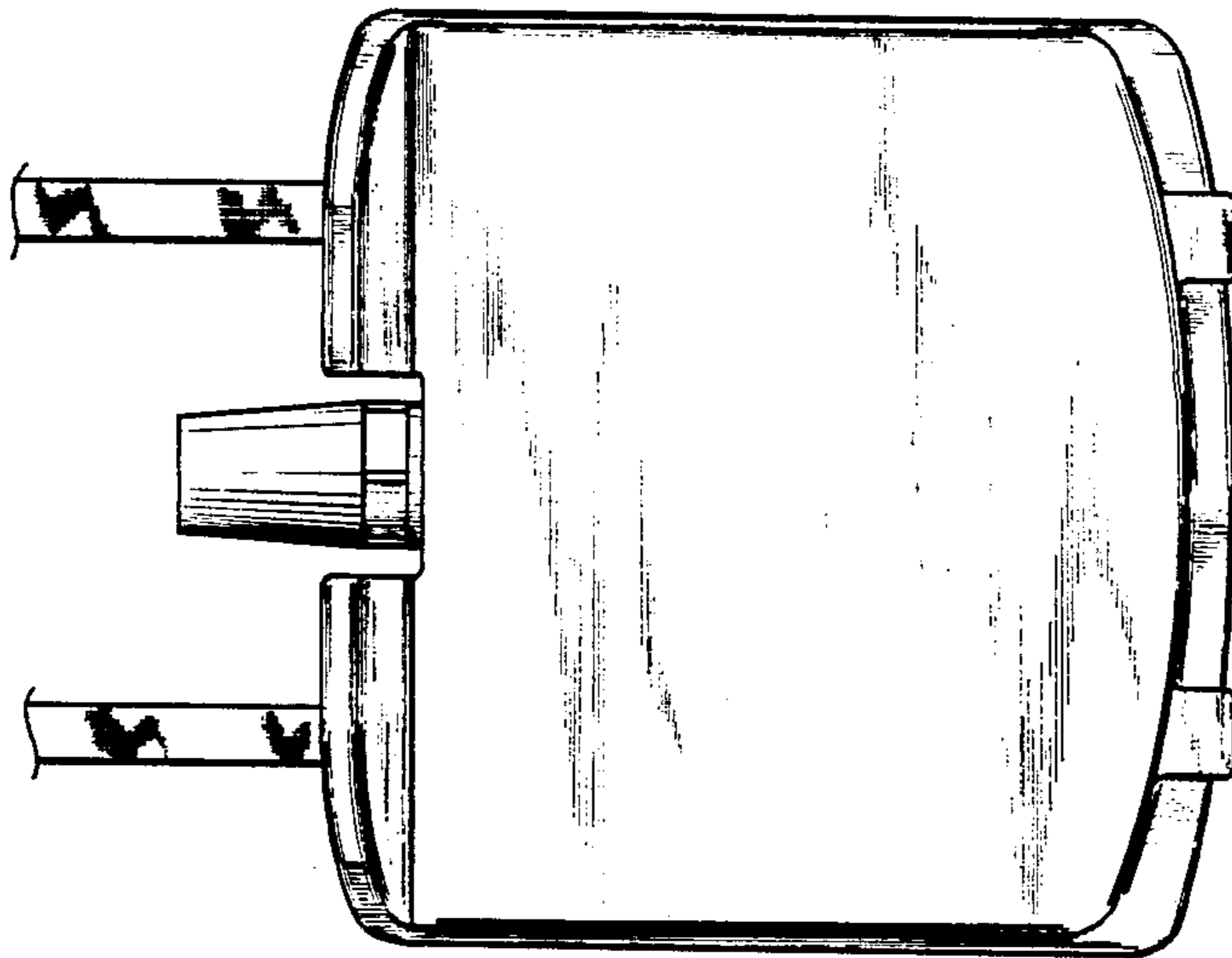
FIG. 1 is a perspective view of a combined seat and container showing our new design;
FIG. 2 is a top plan view thereof;
FIG. 3 is a right side view in elevation thereof;
FIG. 4 is a left side view in elevation thereof;
FIG. 5 is a bottom plan view thereof;
FIG. 6 is a front view in elevation thereof; and
FIG. 7 is a rear view in elevation thereof.
Portions of the carrying strap have been omitted from FIGS. 1-7 for convenience of illustration.



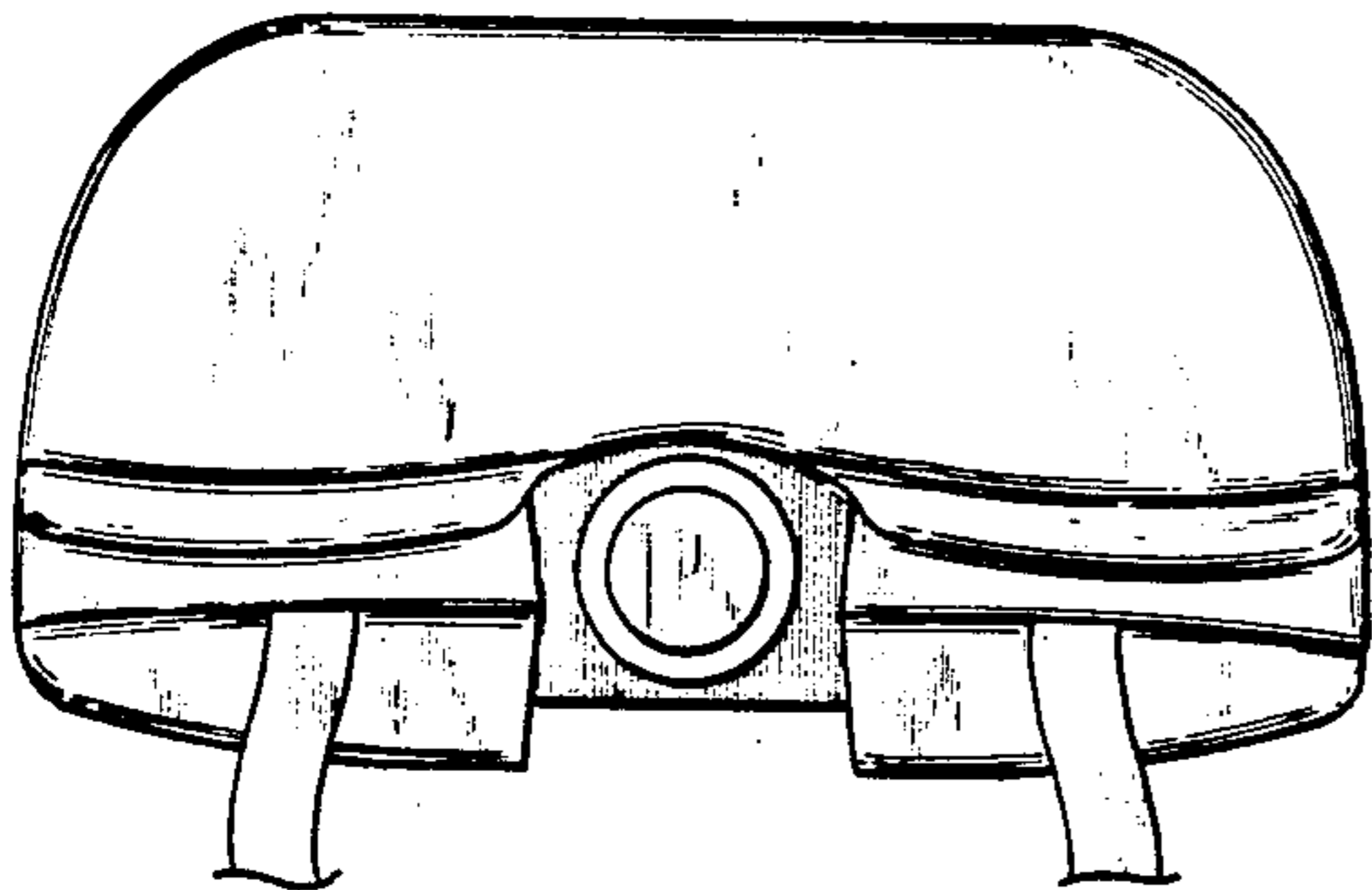




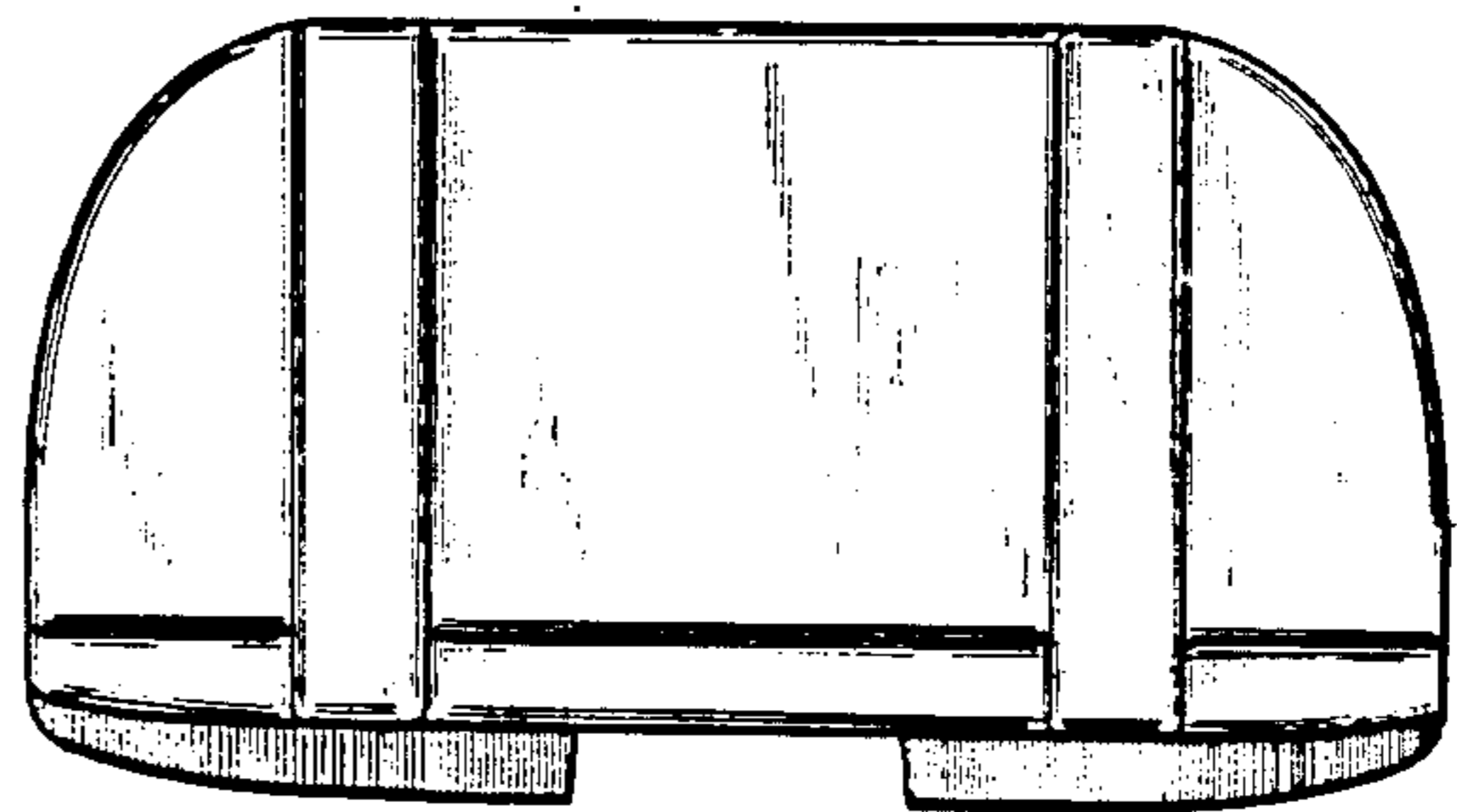
 4



 5



 6



 7