

[54] MAGAZINE FOR SUPPLYING FILM FOR A PRINTER

[75] Inventors: Masatoki Sutou, Okazaki; Yutaka Maeda, Machida, both of Japan; Walter F. Anderson, Jr., Minneapolis; James W. Kochevar, Shoreview, both of Minn.

[73] Assignees: Minolta Camera Kabushiki Kaisha, Osaka, Japan; Minnesota Mining and Manufacturing Company (3M), St. Paul, Minn.

[\*\*] Term: 14 Years

[21] Appl. No.: 736,714

[22] Filed: May 22, 1985

[30] Foreign Application Priority Data

Nov. 22, 1984 [JP] Japan ..... 59-48258  
[52] U.S. Cl. .... D3/35; D14/11; D16/37  
[58] Field of Search ..... 206/455, 316, 309-313; D14/6, 11; D3/33, 35, 73, 76, 70, 38; D18/13, 22; D16/37

[56] References Cited

U.S. PATENT DOCUMENTS

D. 218,922	10/1970	De Vore et al. ....	D3/35
D. 274,905	7/1984	Rainey et al. ....	D3/35
D. 279,623	7/1985	Blomquist et al. . . . .	D3/38
D. 279,728	7/1985	Kurihara ....	D3/35
D. 287,429	12/1986	Esslinger ....	D3/70

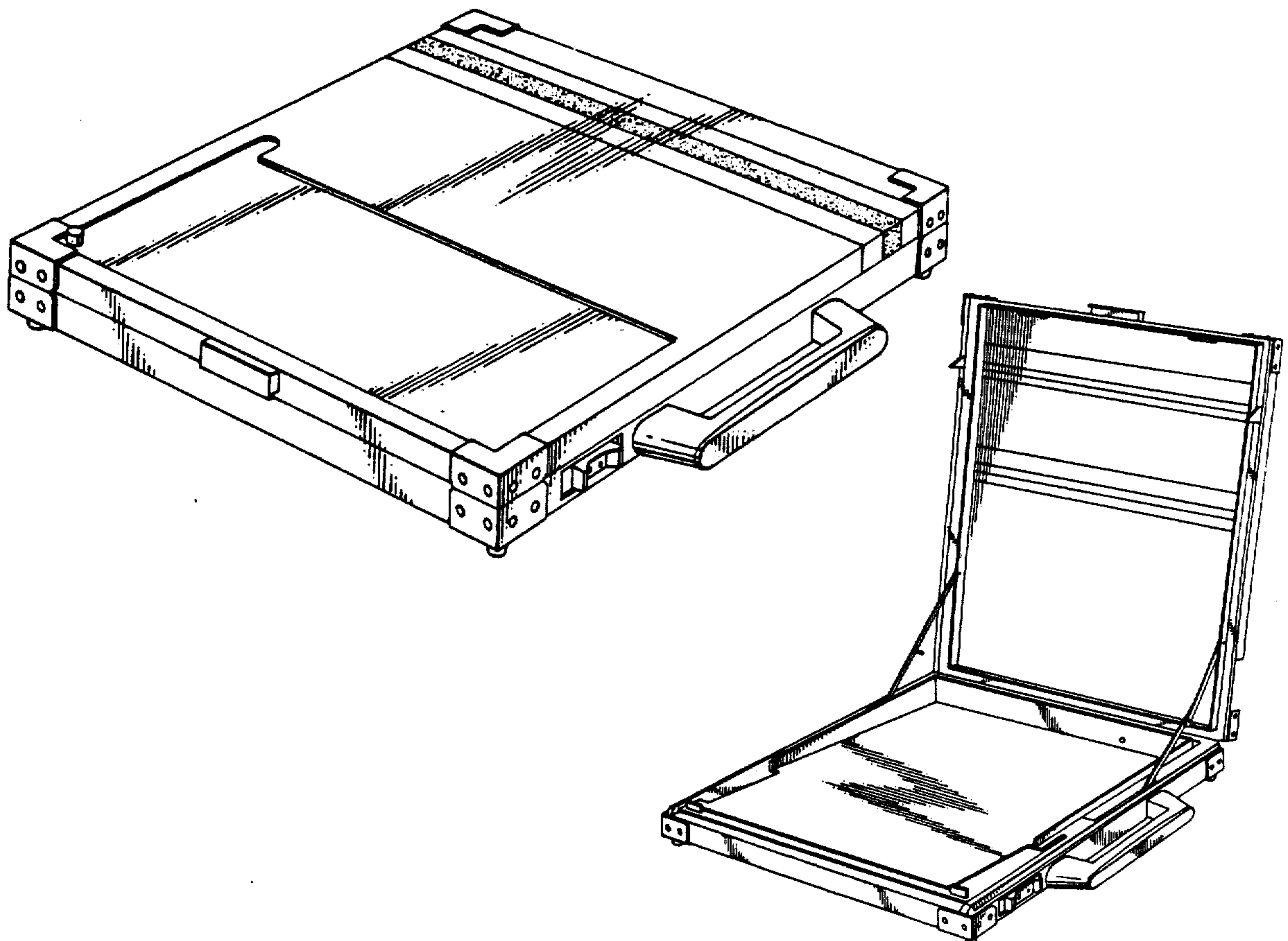
Primary Examiner—George P. Word  
Attorney, Agent, or Firm—Wenderoth, Lind & Ponack

[57] CLAIM

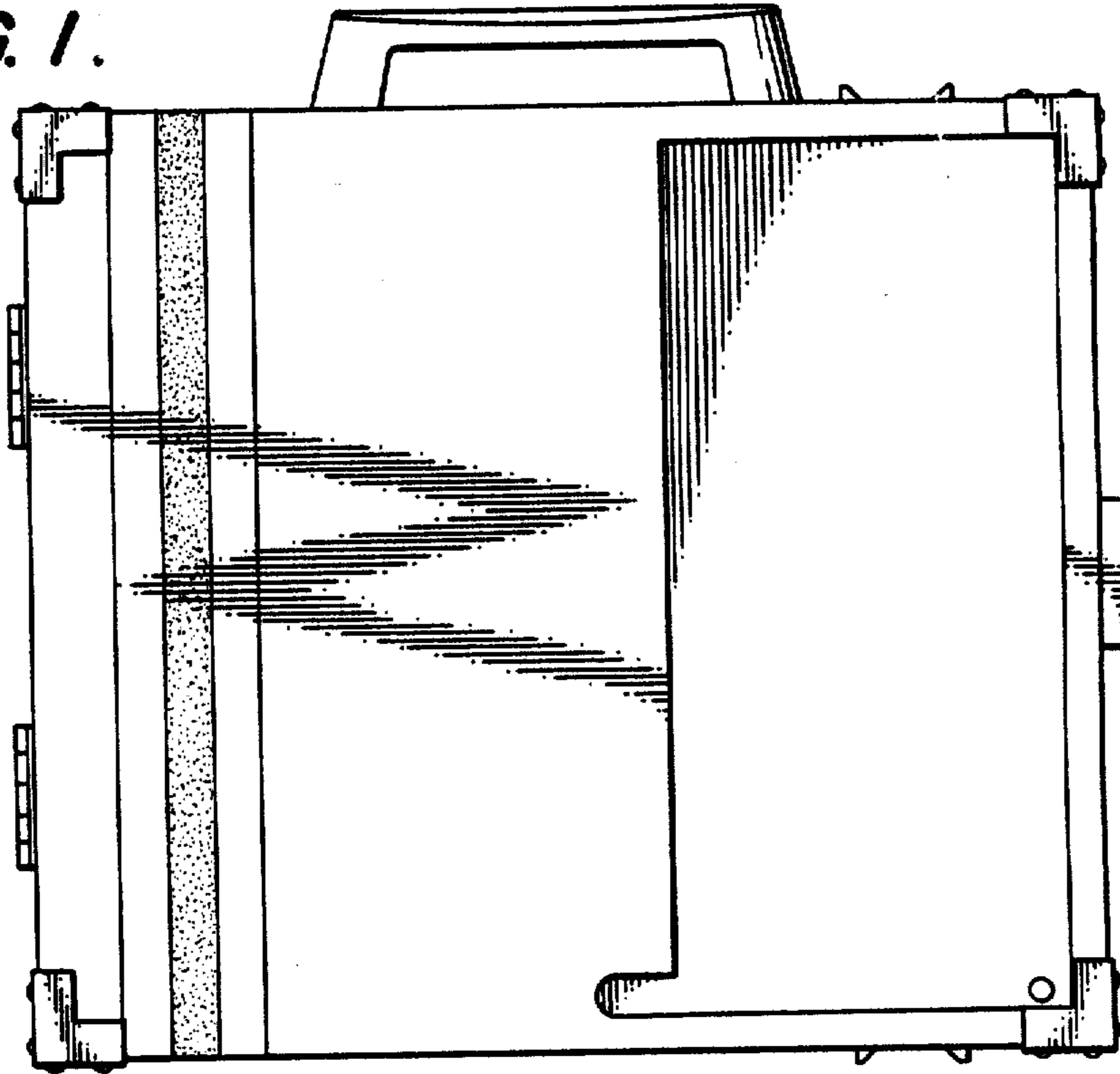
The ornamental design for a magazine for supplying film for a printer, substantially as shown and described.

DESCRIPTION

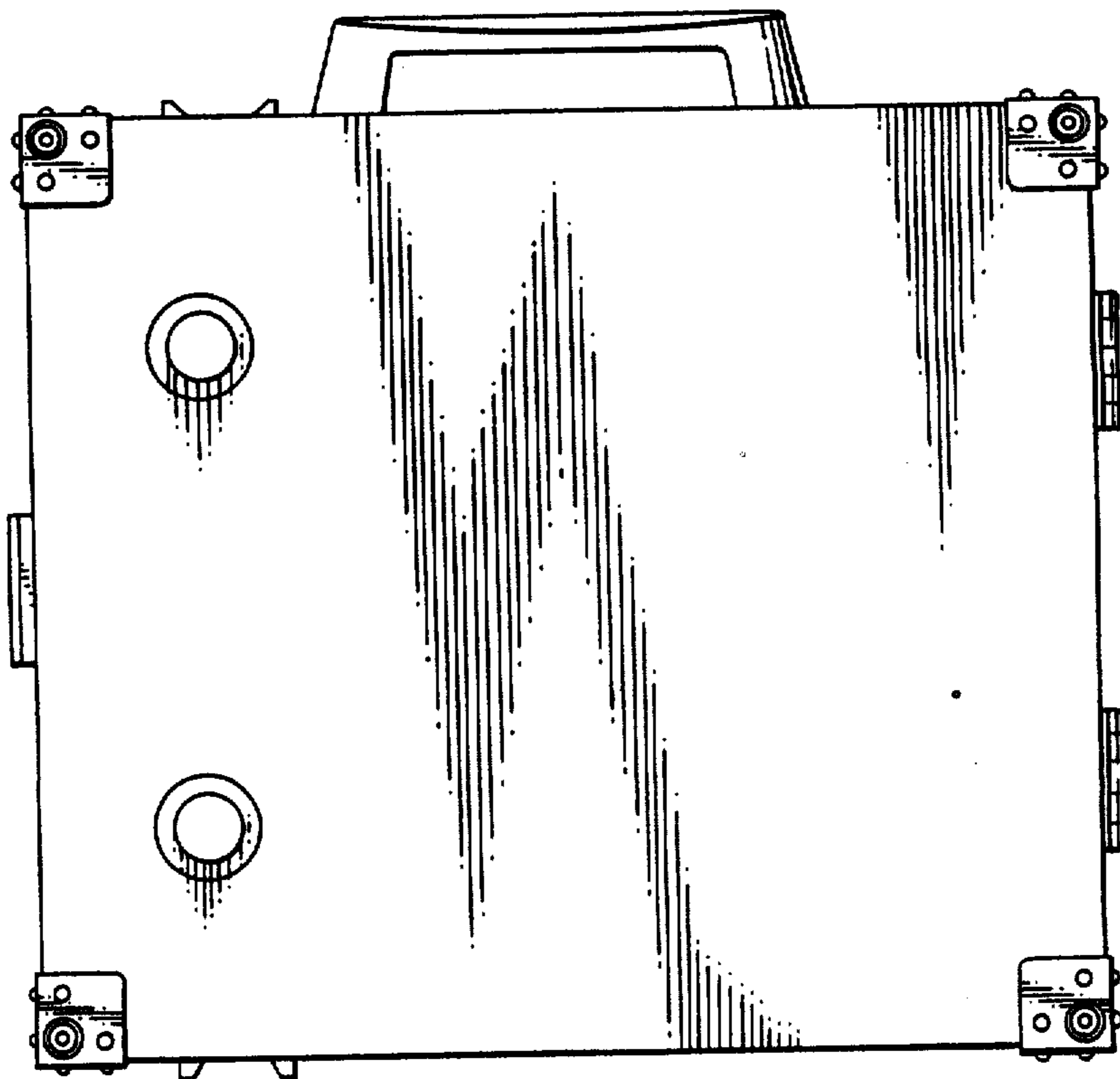
FIG. 1 is a front elevational view of a magazine for supplying film for a printer showing our new design; FIG. 2 is a rear elevational view thereof; FIG. 3 is a top plan view thereof; FIG. 4 is a bottom plan view thereof; FIG. 5 is a left side elevational view thereof; FIG. 6 is a right side perspective view thereof; FIG. 7 is a front perspective view thereof with the shutter closed; FIG. 8 is a front perspective view thereof with the shutter open; and FIG. 9 is a front perspective view thereof with the cover open.



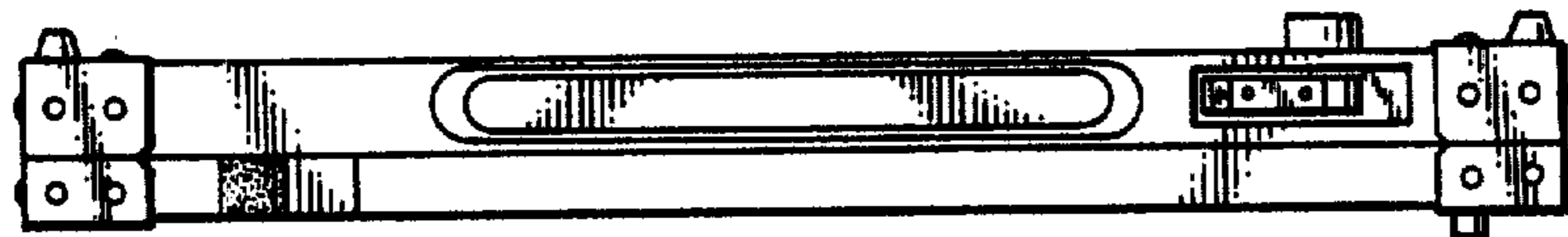
**FIG. 1.**



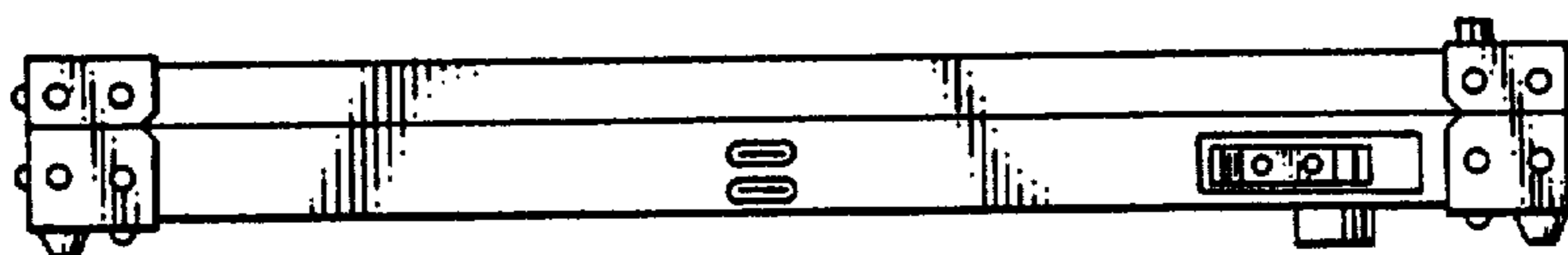
**FIG. 2.**



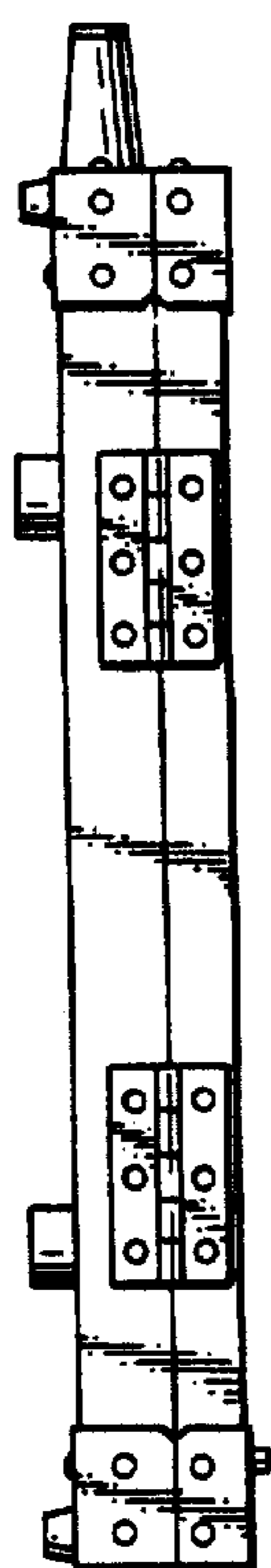
*FIG. 3.*



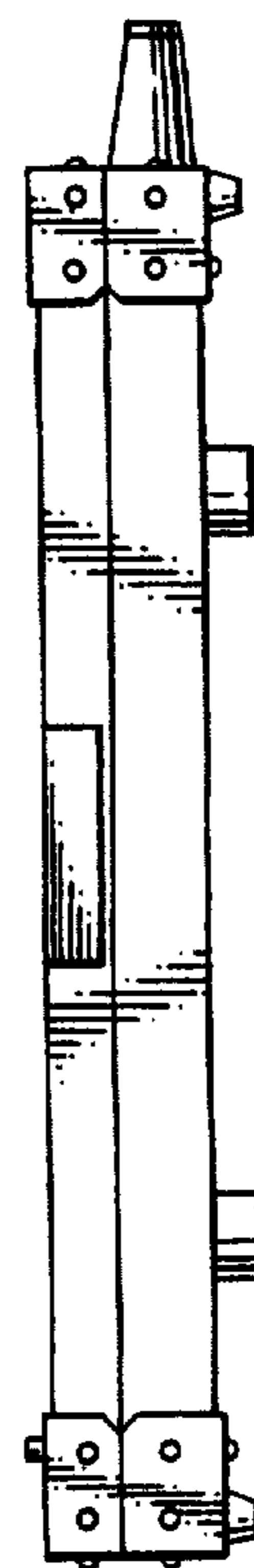
*FIG. 4.*



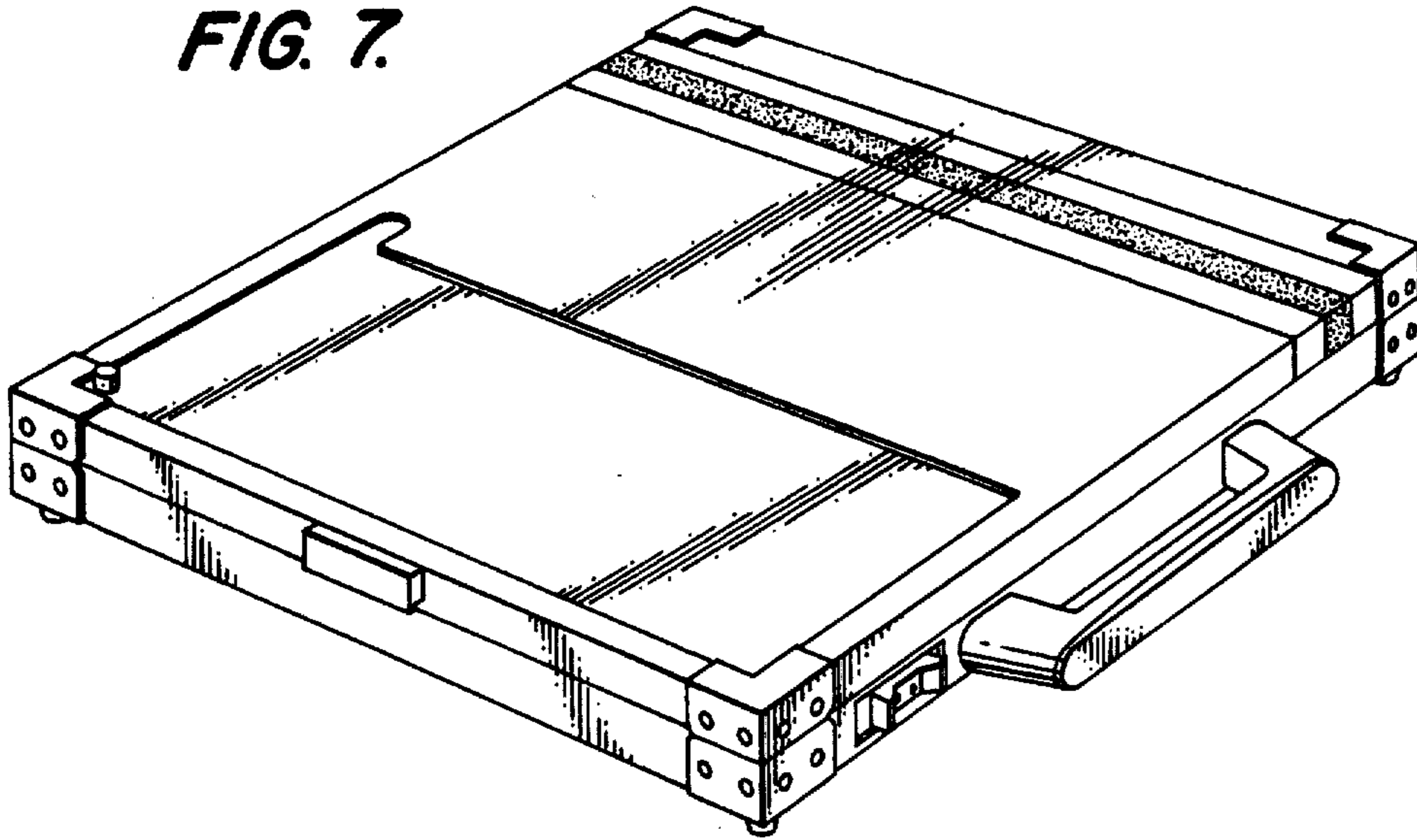
*FIG. 5.*



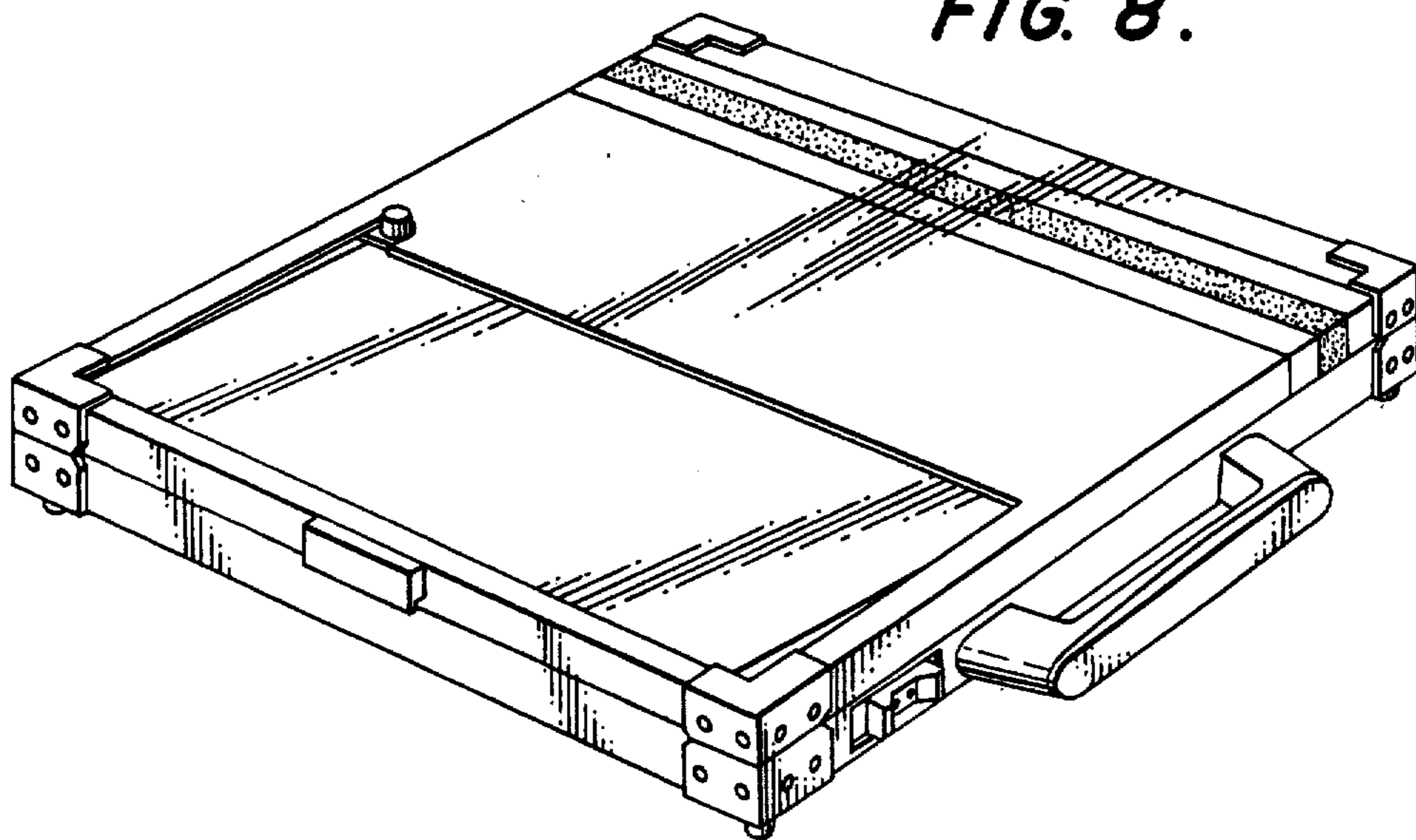
*FIG. 6.*



**FIG. 7.**



**FIG. 8.**



*FIG. 9.*

