

United States Patent [19]

Ichikawa

[11] Patent Number: Des. 293,382

[45] Date of Patent: ** Dec. 22, 1987

[54] LIGHTER OR THE LIKE

[75] Inventor: Kaname Ichikawa, Tokyo, Japan

[73] Assignee: Modern Royal Co., Ltd., Tokyo, Japan

[**] Term: 14 Years

[21] Appl. No.: 805,757

[22] Filed: Nov. 19, 1985

[52] U.S. Cl. D27/41

[58] Field of Search D27/36-42;
431/125-143; D3/76, 77, 73

[56] References Cited

U.S. PATENT DOCUMENTS

4,522,583 6/1985 Kraser D27/41 X

Primary Examiner—Catherine E. Kemper
Attorney, Agent, or Firm—Oblon, Fisher, Spivak,
McClelland, & Maier

[57] CLAIM

The ornamental design for a lighter or the like, as shown.

DESCRIPTION

FIG. 1 is a top front perspective view of a lighter or the like, showing my new design and shown with the operating button depressed;

FIG. 2 is a top plan view thereof;

FIG. 3 is a left side elevational view thereof;

FIG. 4 is a front elevational view thereof, shown with the operating button not depressed;

FIG. 5 is a right side elevational view thereof; and

FIG. 6 is a bottom plan view of the lighter or the like as shown in FIG. 4.

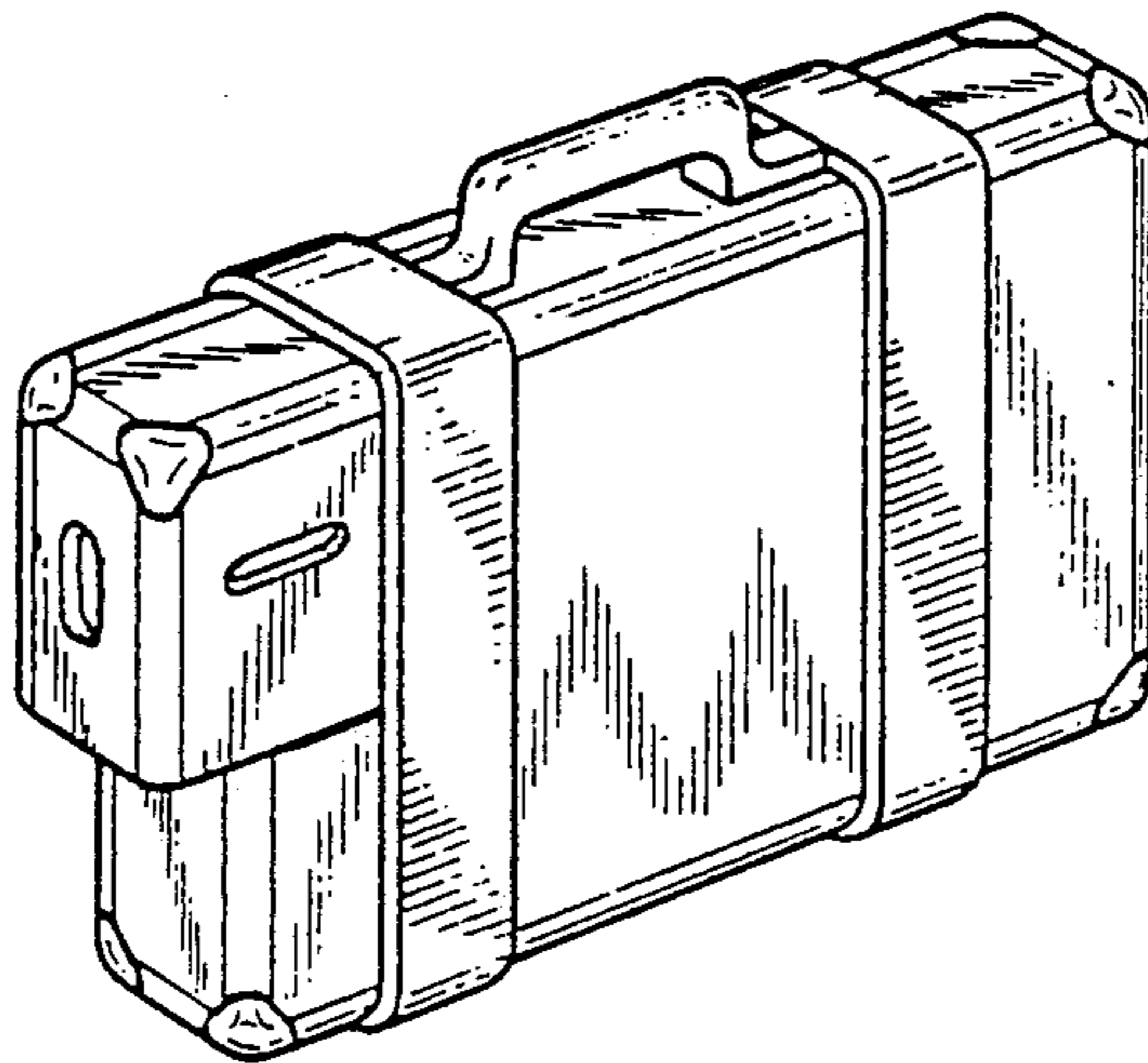


FIG. 1

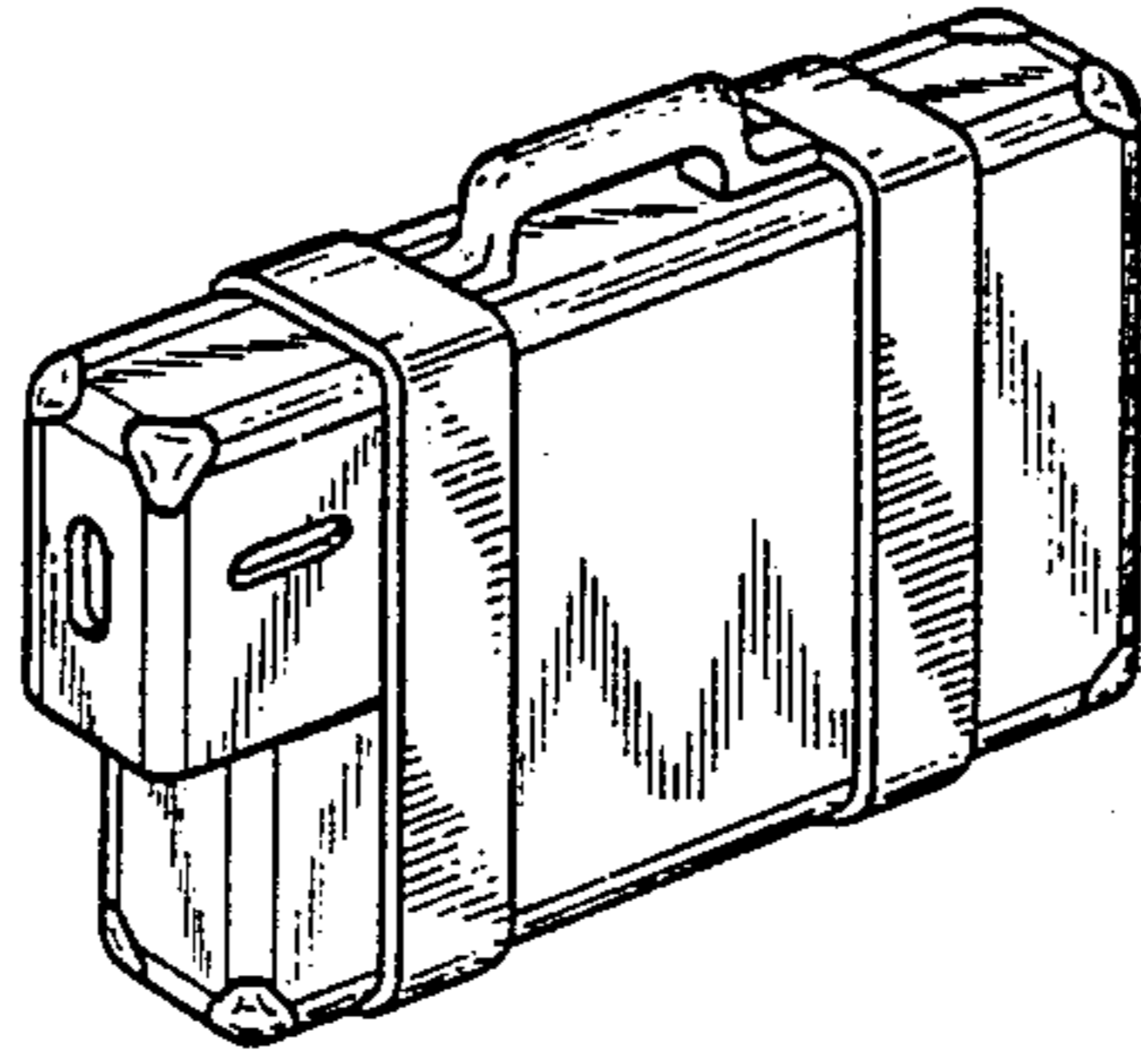


FIG. 2

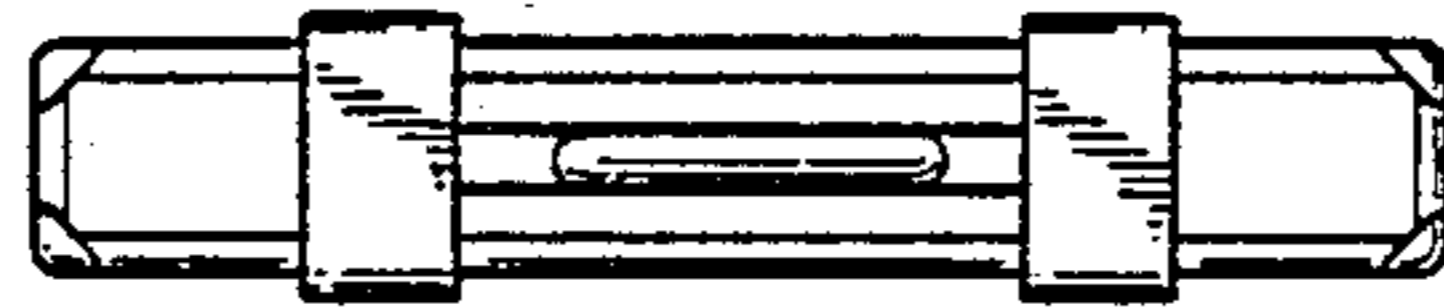


FIG. 3

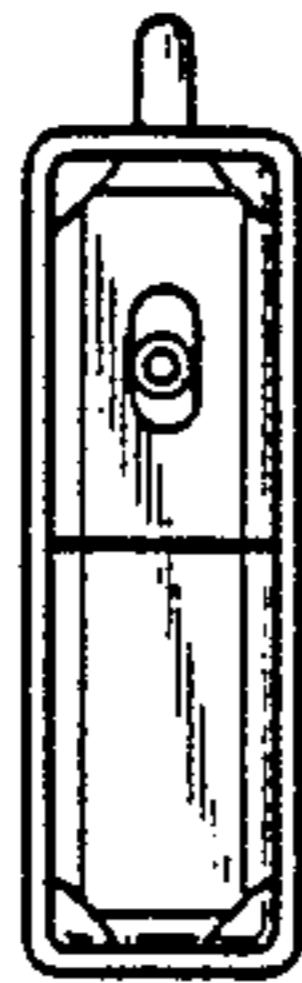


FIG. 4

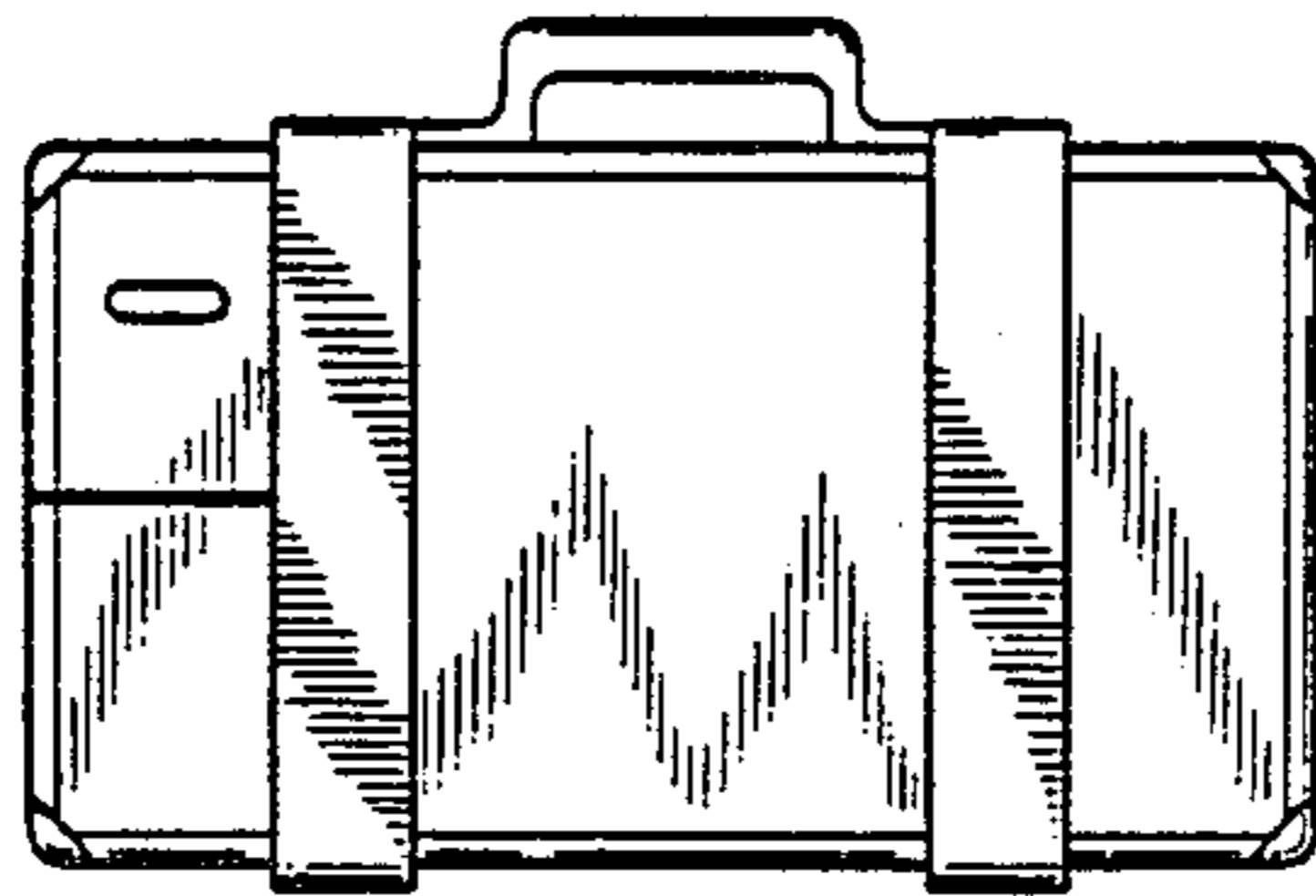


FIG. 5



FIG. 6

