

[54] DENTAL HANDPIECE SUPPORT UNIT

[75] Inventors: Carl G. Nordstrom, Newberg; Matthew H. Parlier, Sheridan, both of Oreg.

[73] Assignee: A-Dec, Inc., Newberg, Oreg.

[**] Term: 14 Years

[21] Appl. No.: 808,996

[22] Filed: Dec. 16, 1985

[52] U.S. Cl. D24/5

[58] Field of Search D24/4-5, D24/10-16, 29, 31, 99; 433/49-53, 77, 82, 108

[56] References Cited

U.S. PATENT DOCUMENTS

D. 261,424	10/1981	Anson	D24/16
3,518,764	7/1970	Lundin	433/77
4,041,608	8/1977	Lundin	433/77
4,571,182	2/1986	Beier et al.	433/79

Primary Examiner—Wallace R. Burke
Assistant Examiner—Brian N. Vinson
Attorney, Agent, or Firm—Klarquist, Sparkman, Campbell, Leigh & Whinston

[57] CLAIM

The ornamental design for a dental handpiece support unit, as shown and described.

DESCRIPTION

FIG. 1 is a top perspective view of a dental handpiece support unit showing our new design; FIG. 2 is a front elevational view thereof; FIG. 3 is a right side elevational view thereof, the left side being a mirror image and the broken-line showing the handpiece and connecting tubing being for illustrative purposes only and forming no part of the claimed design; FIG. 4 is a top plan view thereof; FIG. 5 is a rear elevational view thereof; and FIG. 6 is a bottom plan view thereof.

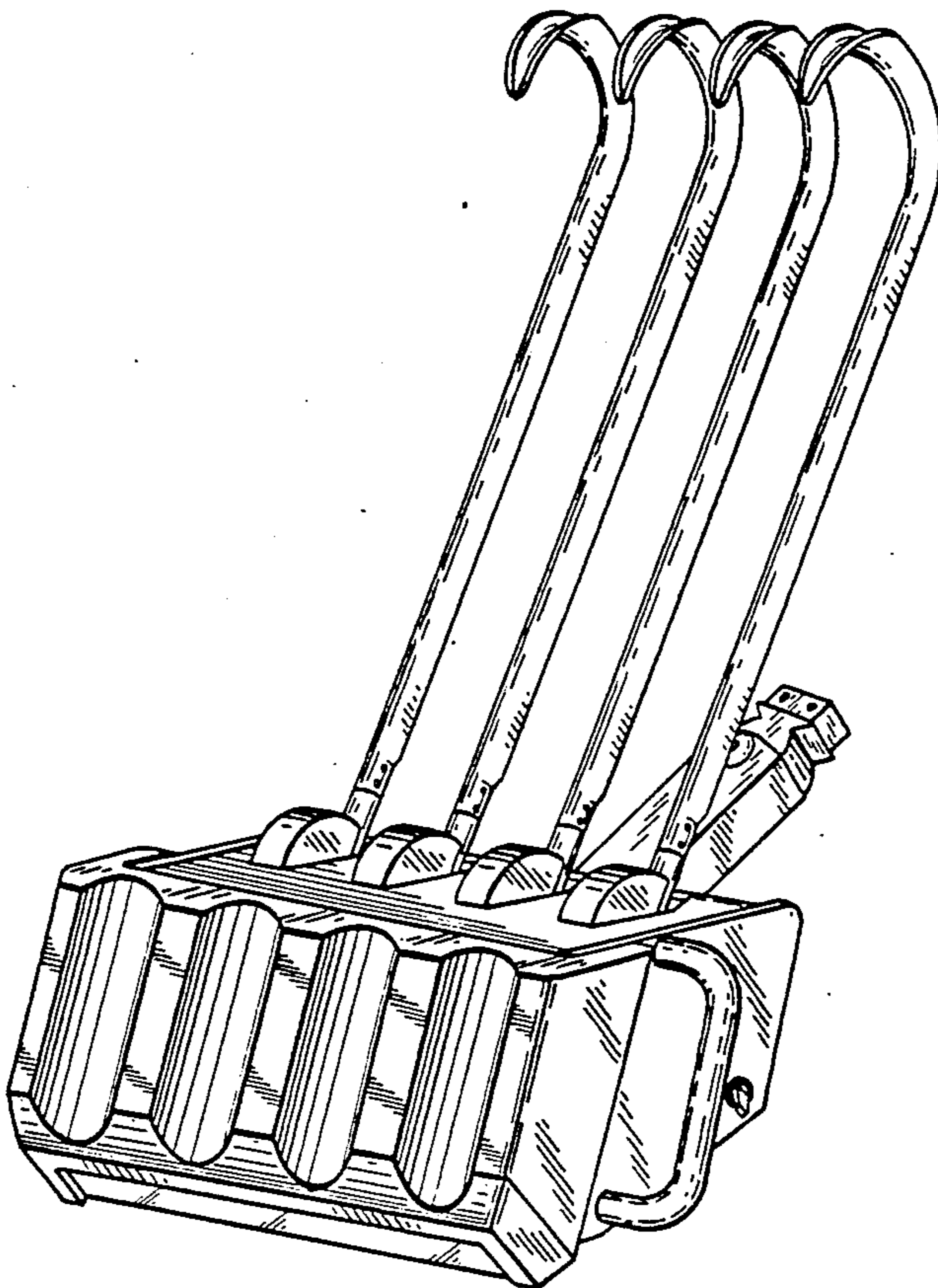


FIG. 1

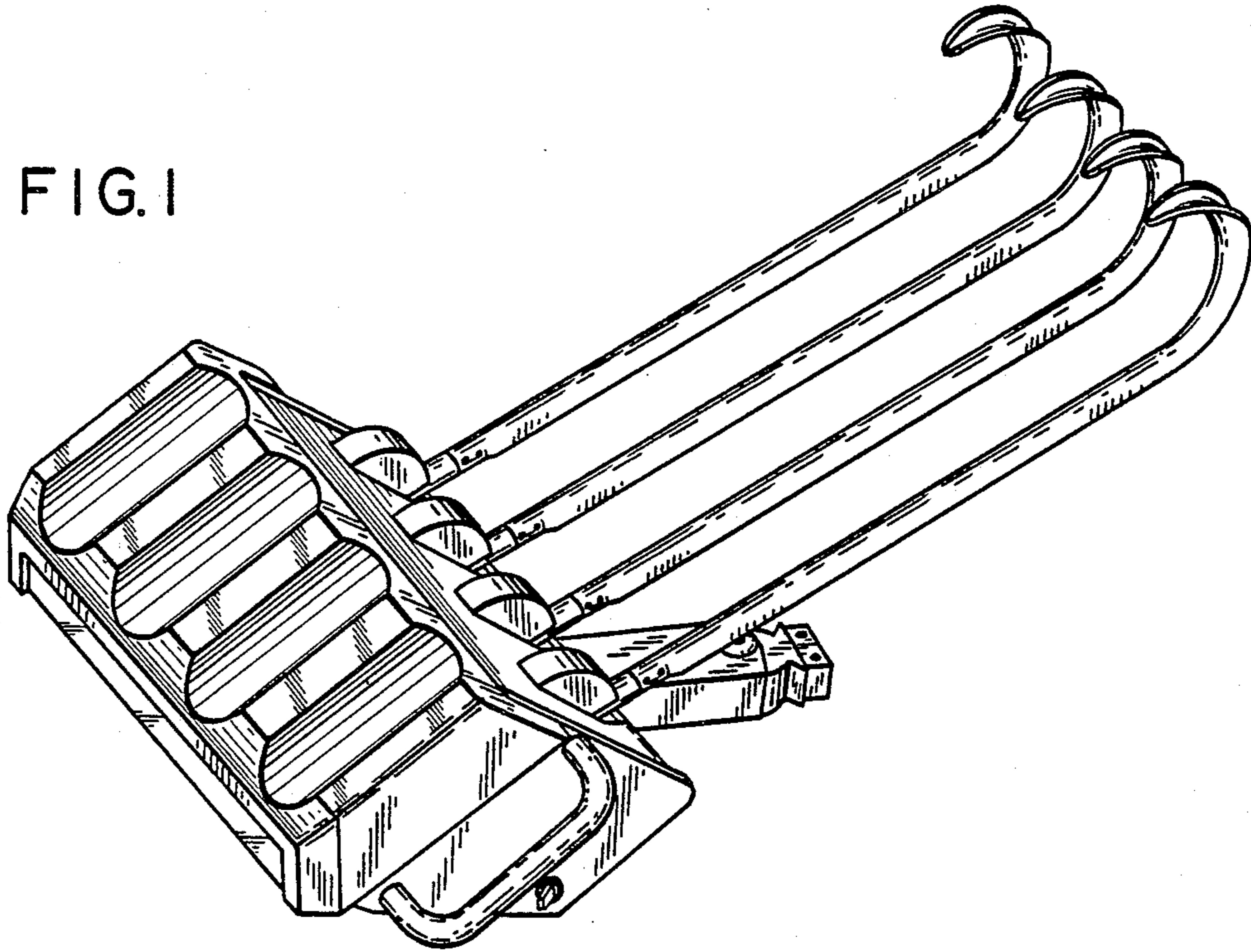


FIG. 2

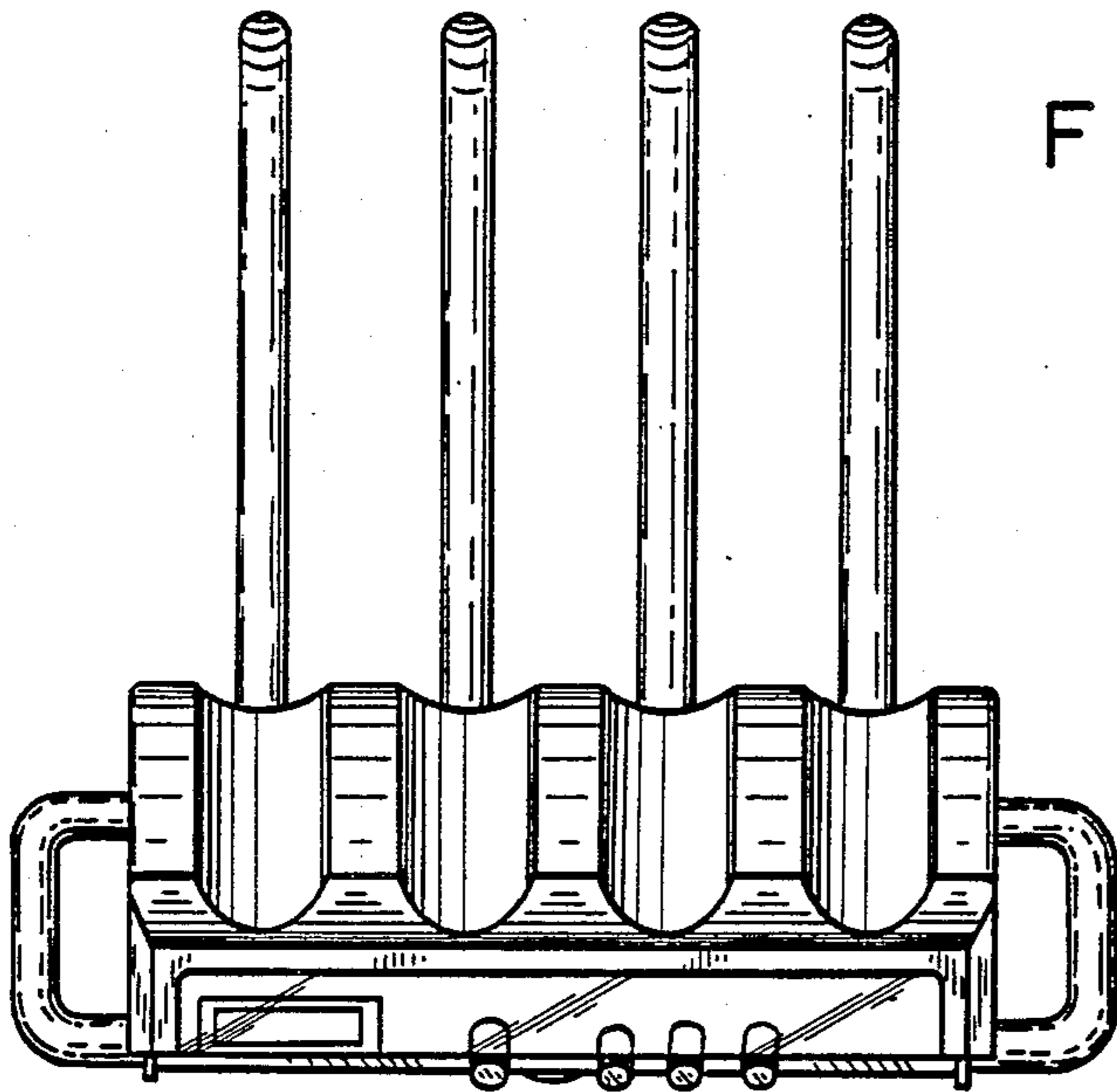


FIG. 3

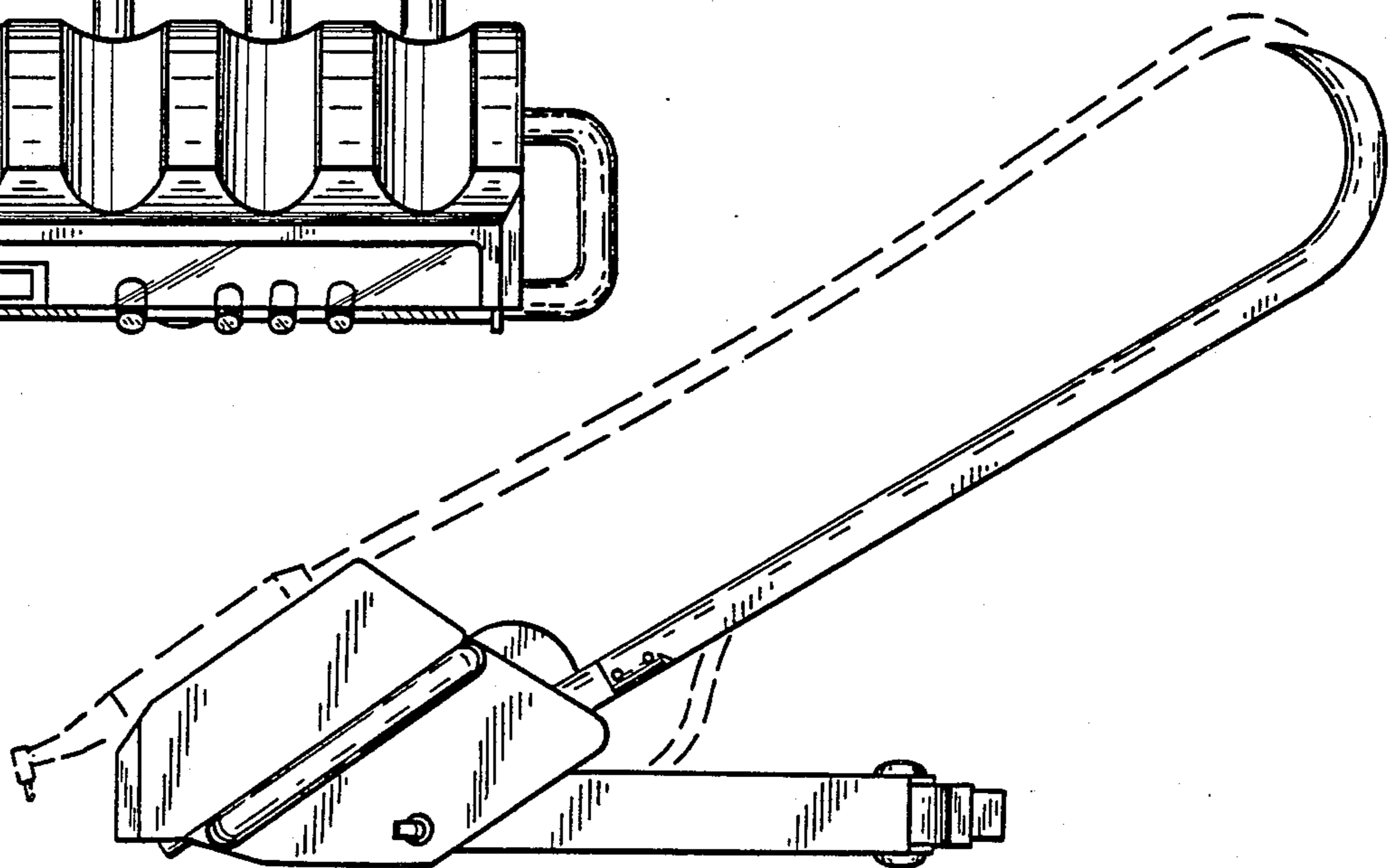


FIG. 4

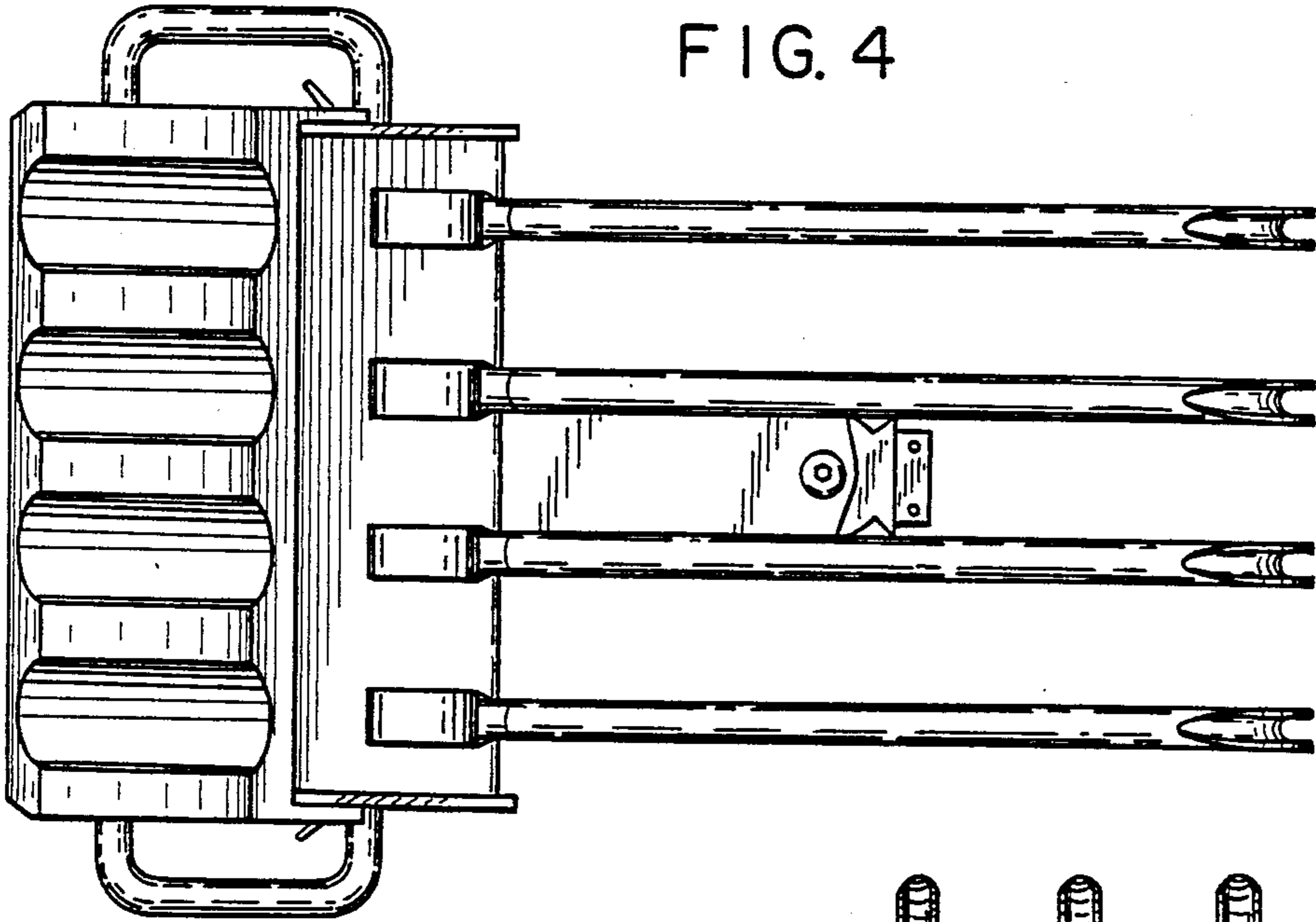


FIG. 5

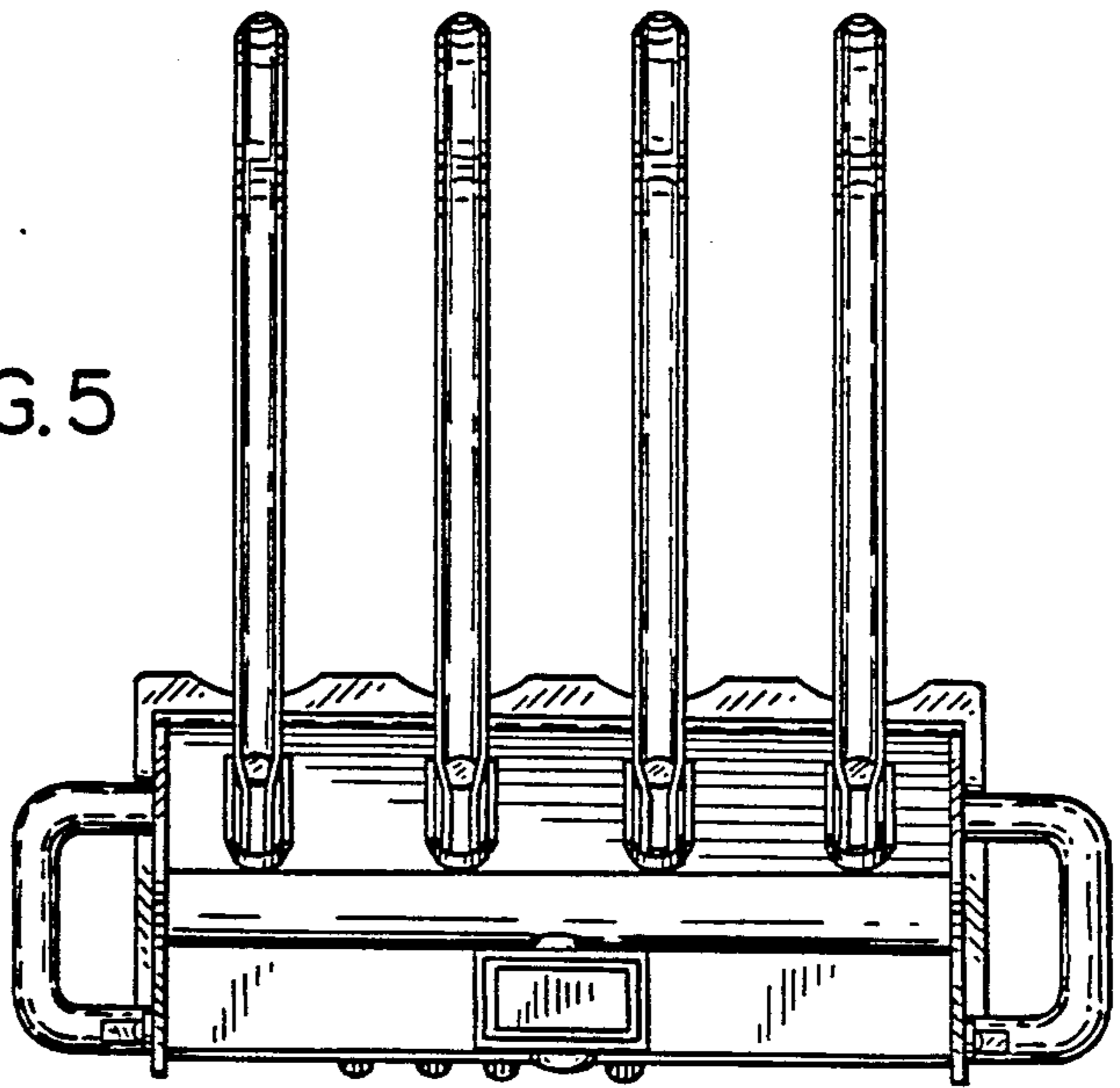


FIG. 6

