

[54] **WICK BEARING LIGHTING DEVICE**

[76] Inventor: **Ivan T. George, 566 Ridge Cir.,  
Huntingdon Brook, Pa.**

[\*\*] Term: **14 Years**

[21] Appl. No.: **700,794**

[22] Filed: **Feb. 11, 1985**

[52] U.S. Cl. .... **D7/416; D26/23;  
D27/30**

[58] Field of Search ..... **D23/90.1; D26/23;  
D23/78; 431/144, 146, 253, 288, 289, 298, 315,  
325, 345; 44/34, 35; 294/9; D27/30, 36, 51**

[56] **References Cited**

**U.S. PATENT DOCUMENTS**

47,207	4/1865	Houchin .	
D. 190,265	5/1961	Prada et al. ....	D23/90.1
D. 253,548	11/1979	Gruber .....	D23/78
D. 264,869	6/1982	Gordon .....	D23/78
921,323	5/1909	White .....	431/144
1,572,316	2/1926	Schroeder .....	431/144
1,577,550	3/1926	Woerner .....	431/144
1,740,623	12/1929	Payne .	
1,936,691	11/1933	Soss .....	431/144
2,406,518	8/1946	Urbank .....	431/289

2,461,124	2/1949	Muzzy .....	431/146
2,480,709	8/1949	Brown et al. ....	431/146
2,541,750	2/1951	Diamond .....	431/146
2,604,922	7/1952	Theisen .....	431/146 X
2,722,816	11/1955	Brautigan .....	431/289
2,902,352	9/1959	Elliott .	
3,985,492	10/1976	Nunemaker .....	431/144
4,260,366	4/1981	Karlyk .....	431/315
4,424,018	1/1984	Lowther, Sr. ....	431/146 X

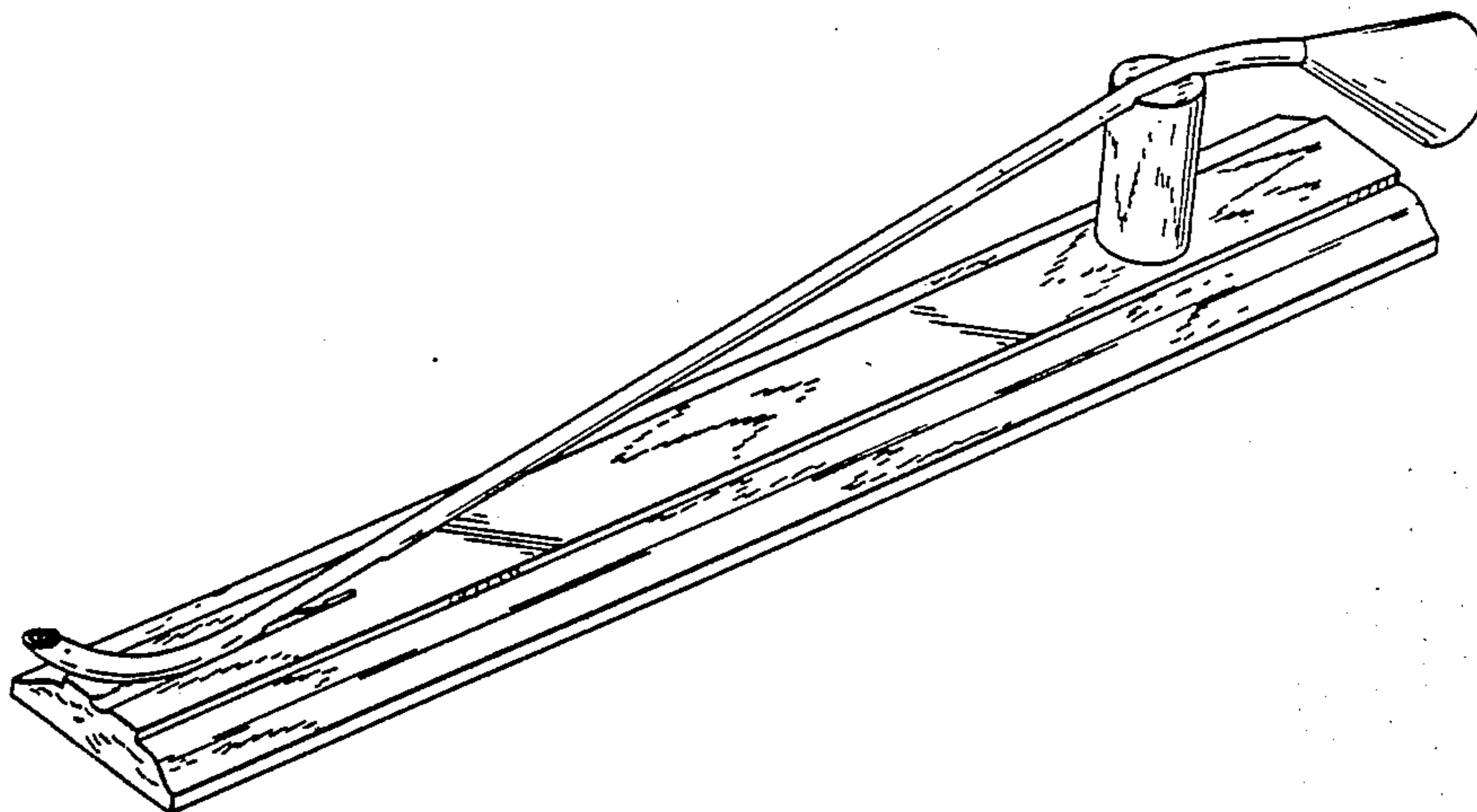
*Primary Examiner*—Catherine E. Kemper  
*Attorney, Agent, or Firm*—Seidel, Gonda, Goldhammer  
& Abbott

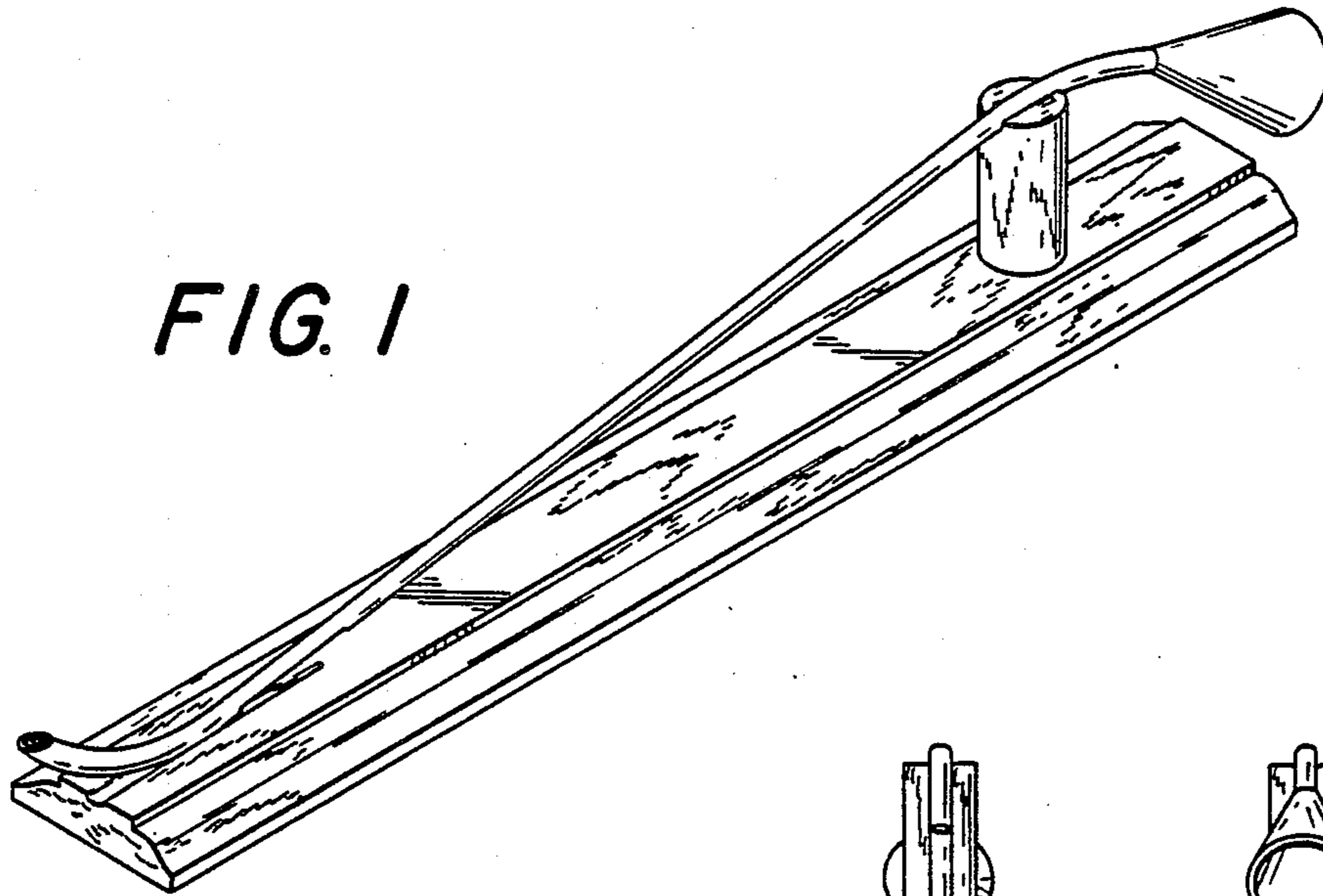
[57] **CLAIM**

The ornamental design for a wick bearing lighting device, substantially as shown and described.

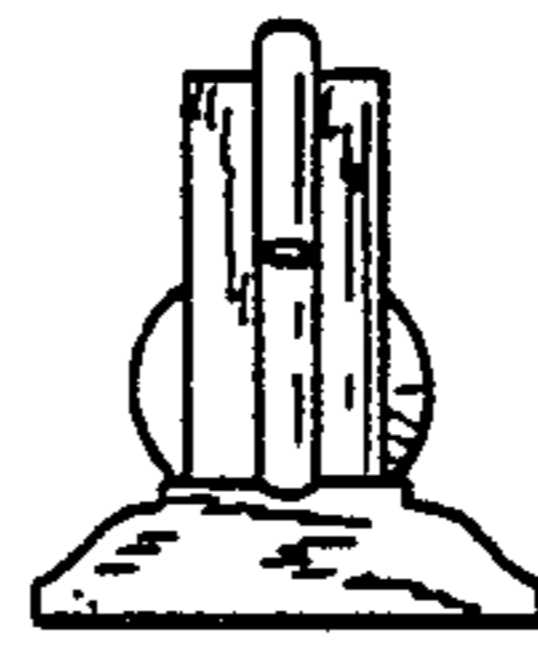
**DESCRIPTION**

FIG. 1 is a perspective view of a wick bearing lighting device, showing my new design;  
FIG. 2 is a side elevational view thereof;  
FIG. 3 is a top plan view thereof;  
FIG. 4 is a bottom plan view thereof;  
FIG. 5 is an end elevational view thereof;  
FIG. 6 is an elevational view of the opposite end thereof.

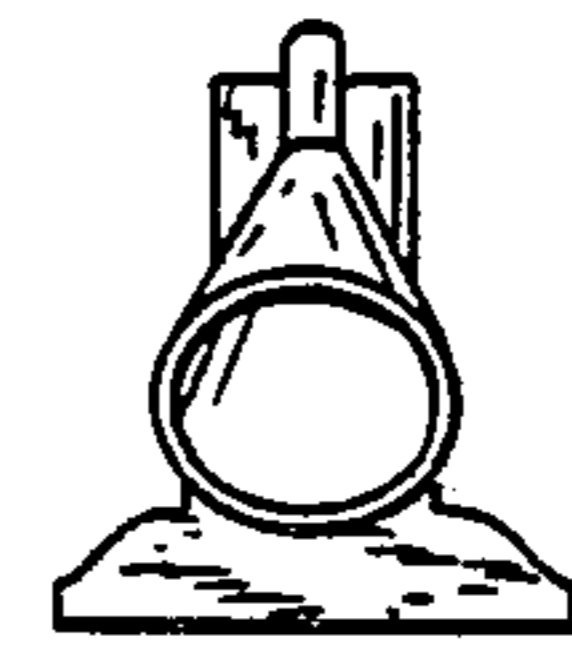




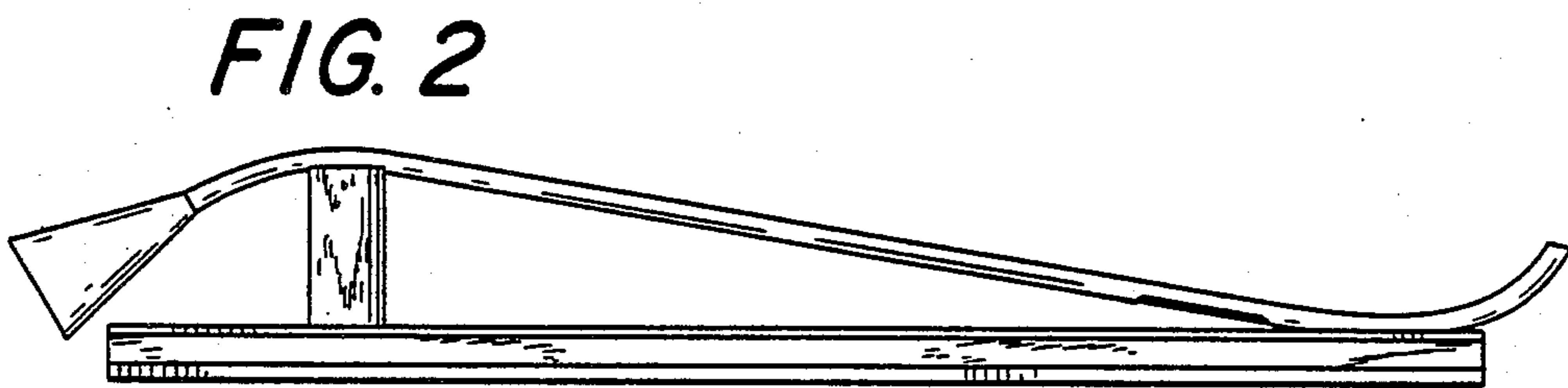
**FIG. 1**



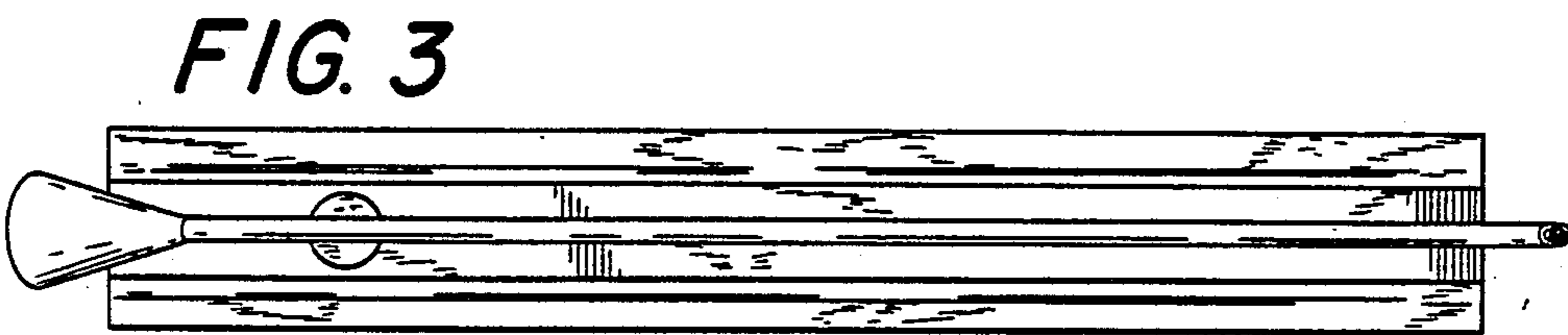
**FIG. 5**



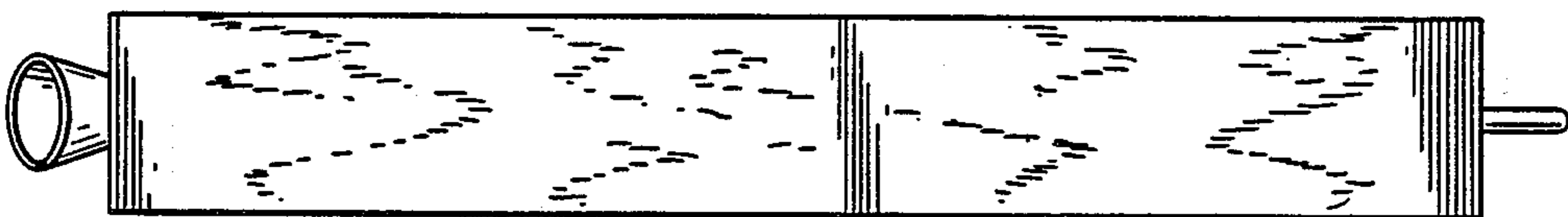
**FIG. 6**



**FIG. 2**



**FIG. 3**



**FIG. 4**