

[54] ADJUSTABLE FISHING ROD SUPPORT

[76] Inventors: James M. Gust, Box 205; Ronald L. Yoder, Box 227, both of Topeka, Ind. 46571

[**] Term: 14 Years

[21] Appl. No.: 692,656

[22] Filed: Jan. 16, 1985

[52] U.S. Cl. D22/147

[58] Field of Search 248/514; D22/147

[56] References Cited

U.S. PATENT DOCUMENTS

D. 136,856	12/1943	Olowecki	D22/147
2,137,645	11/1938	Doench	D22/147 X
2,176,352	10/1939	McHuron	248/514
2,988,311	6/1961	Bow	248/514
3,140,069	7/1964	McBurney et al.	248/514

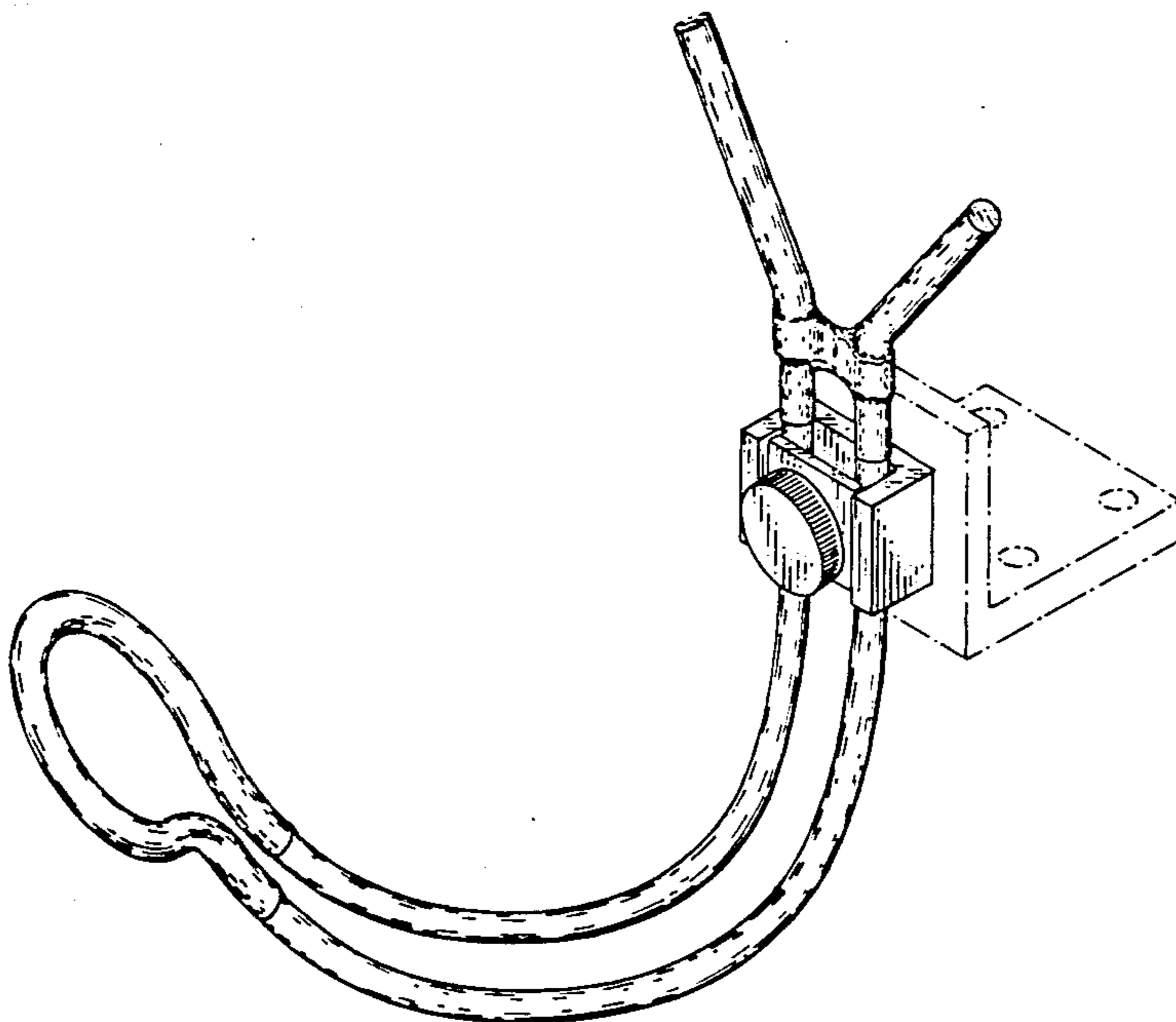
Primary Examiner—A. Hugo Word
Attorney, Agent, or Firm—Pearne, Gordon, McCoy & Granger

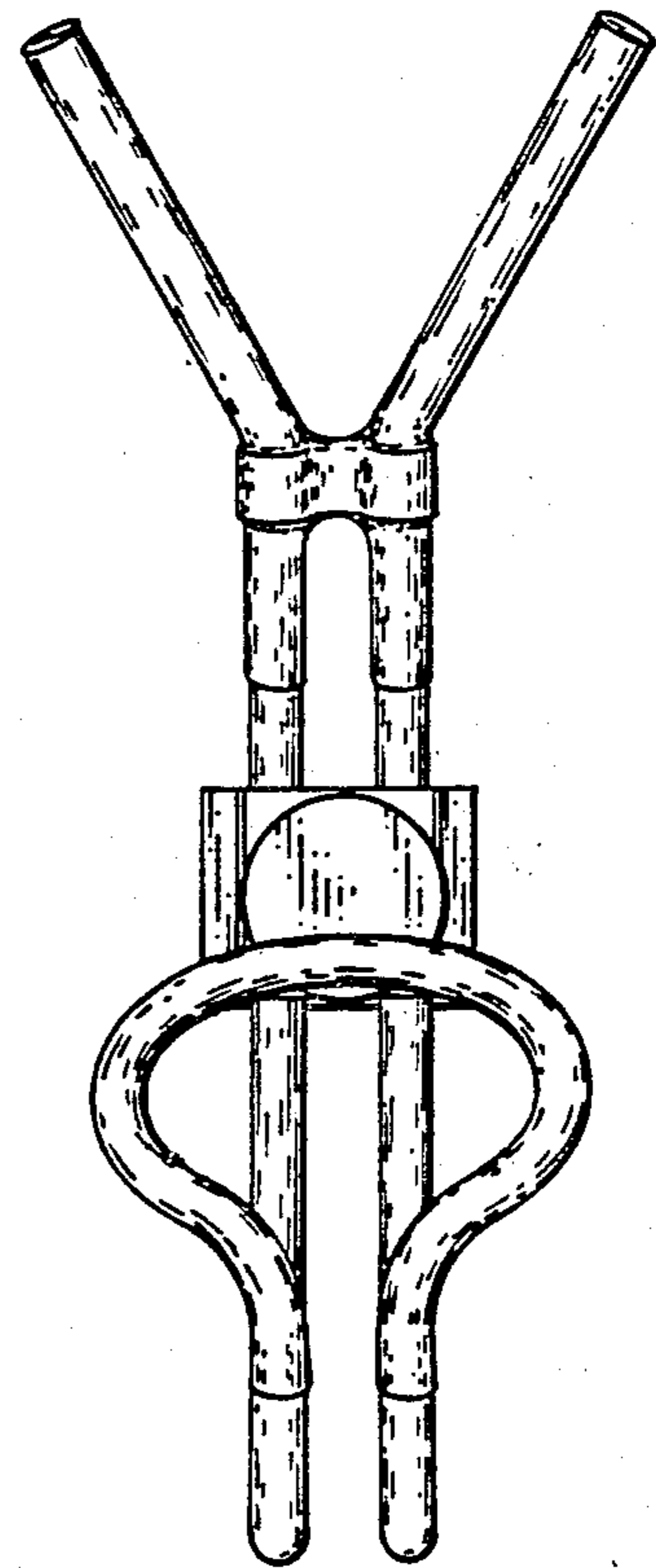
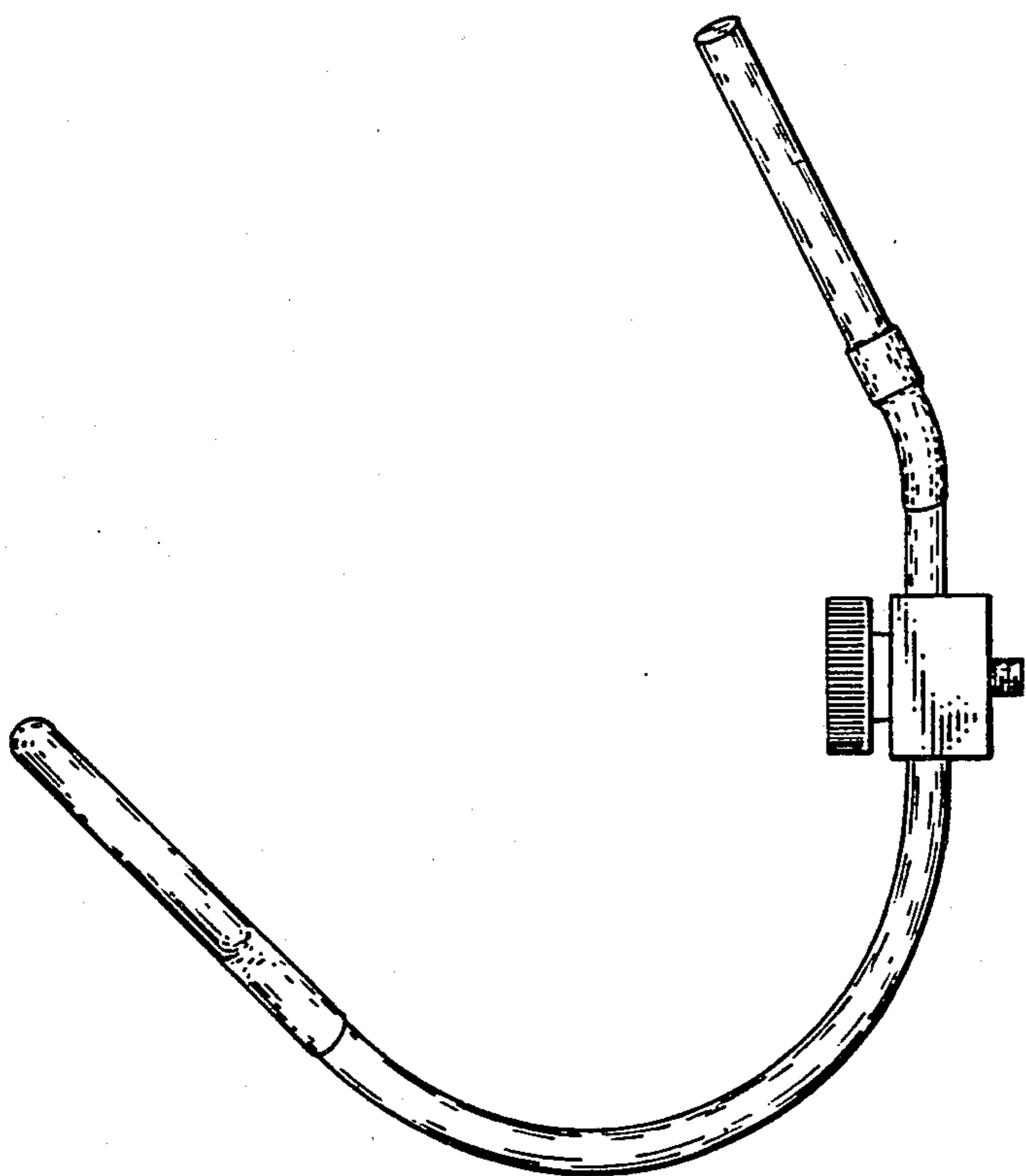
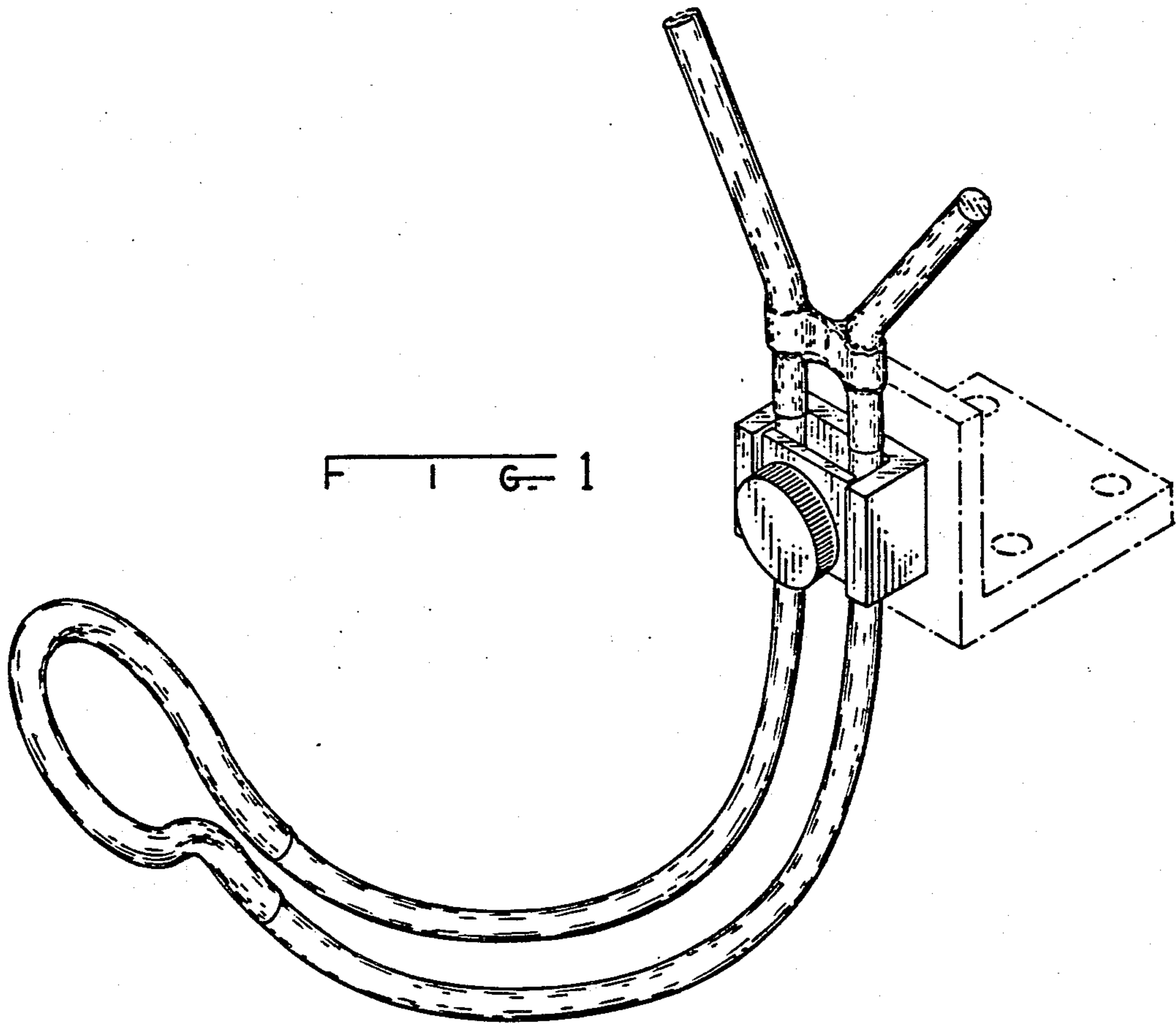
[57] CLAIM

The ornamental design for an adjustable fishing rod support, as shown and described.

DESCRIPTION

FIG. 1 is a perspective view showing a first embodiment of the fishing rod support of this invention in one adjusted position, a bracket not forming a part of this invention being shown in phantom, FIG. 2 is a side view thereof, the other side having the same appearance, FIG. 3 is a front view, FIG. 4 is a top plan view, FIG. 5 is a bottom plan view, FIG. 6 is a rear elevation thereof; FIG. 7 is a perspective view of the fishing rod support of this invention in a second adjusted position, a bracket not forming a part of this invention being shown in phantom; FIG. 8 is a side view thereof, the other side having the same appearance, FIG. 9 is a front view, FIG. 10 is a top plan view, FIG. 11 is a bottom plan view, and FIG. 12 is a rear elevation thereof.





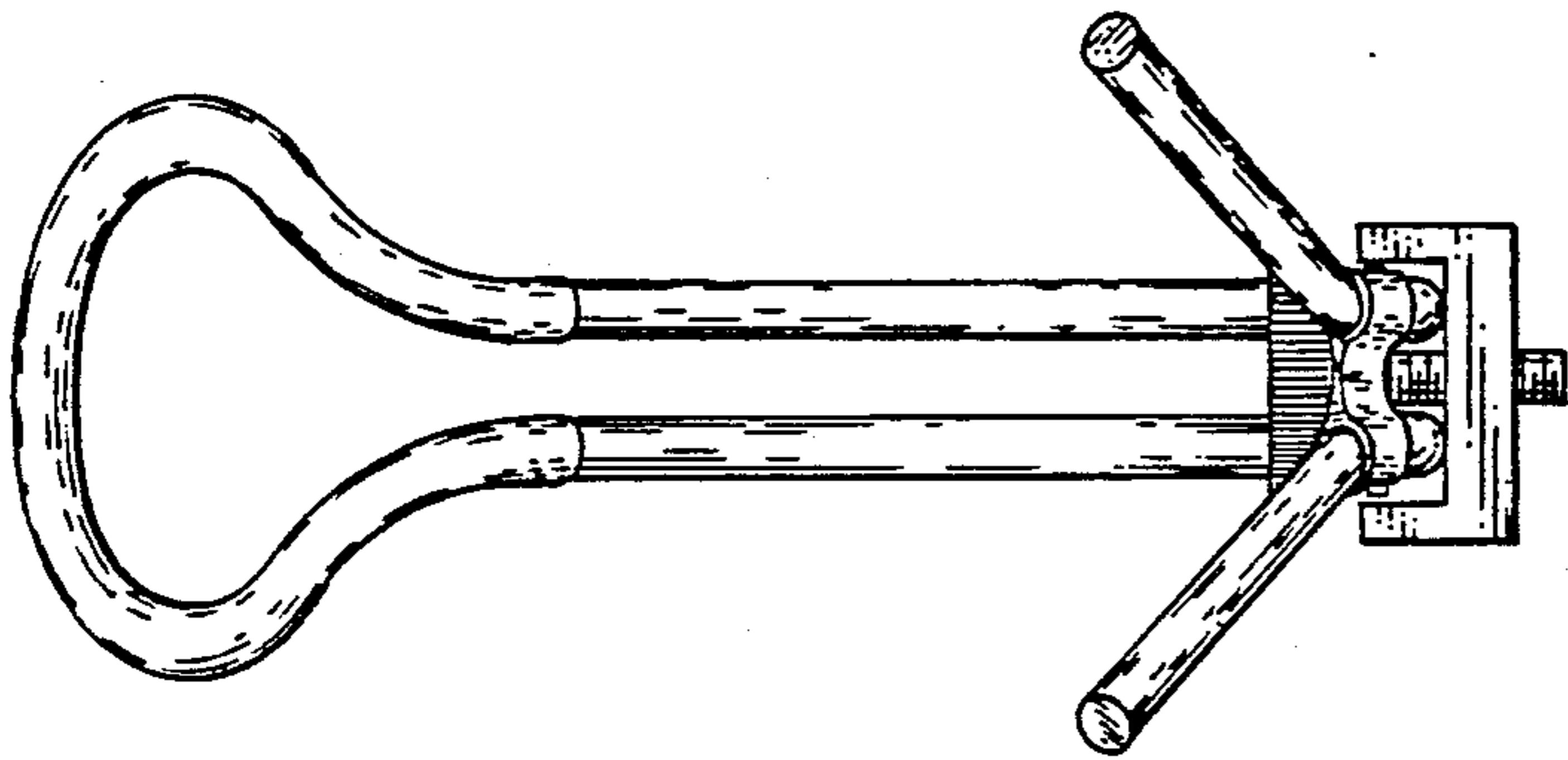


FIG. 4

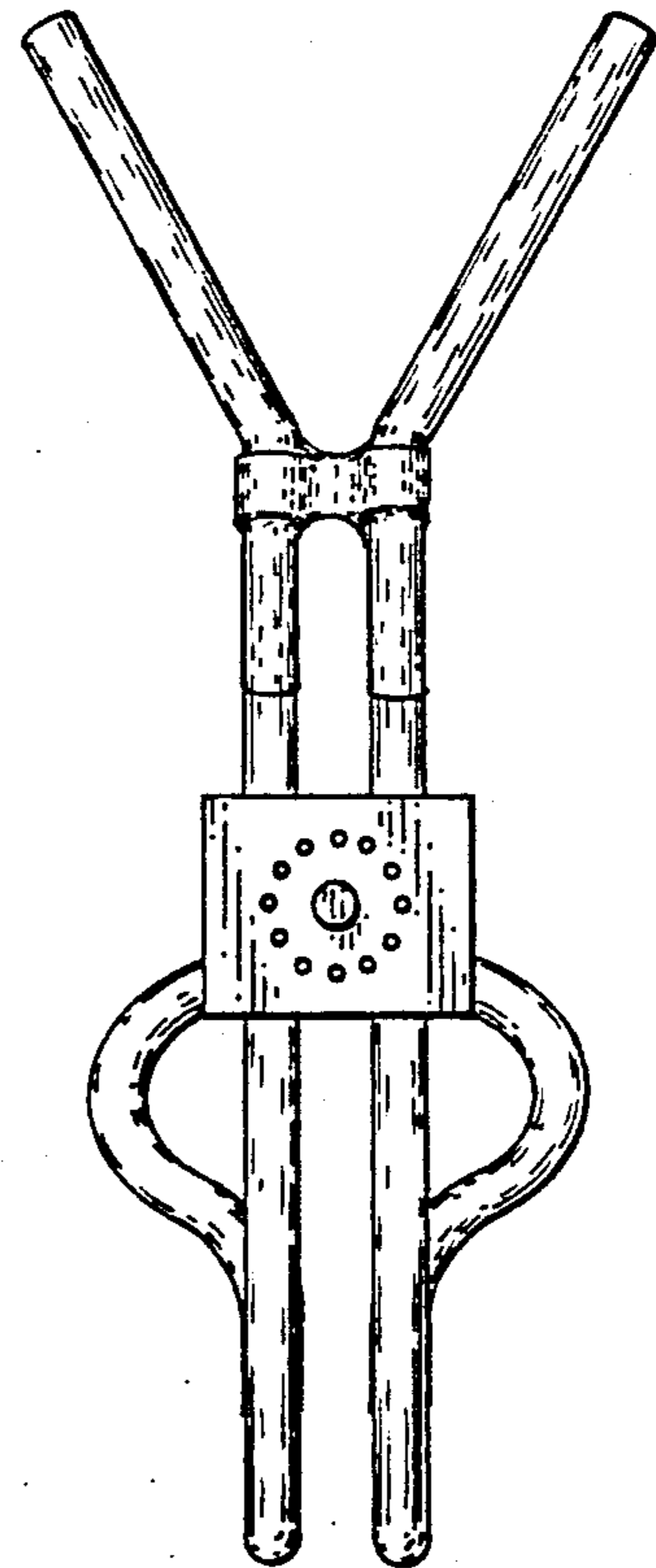


FIG. 6

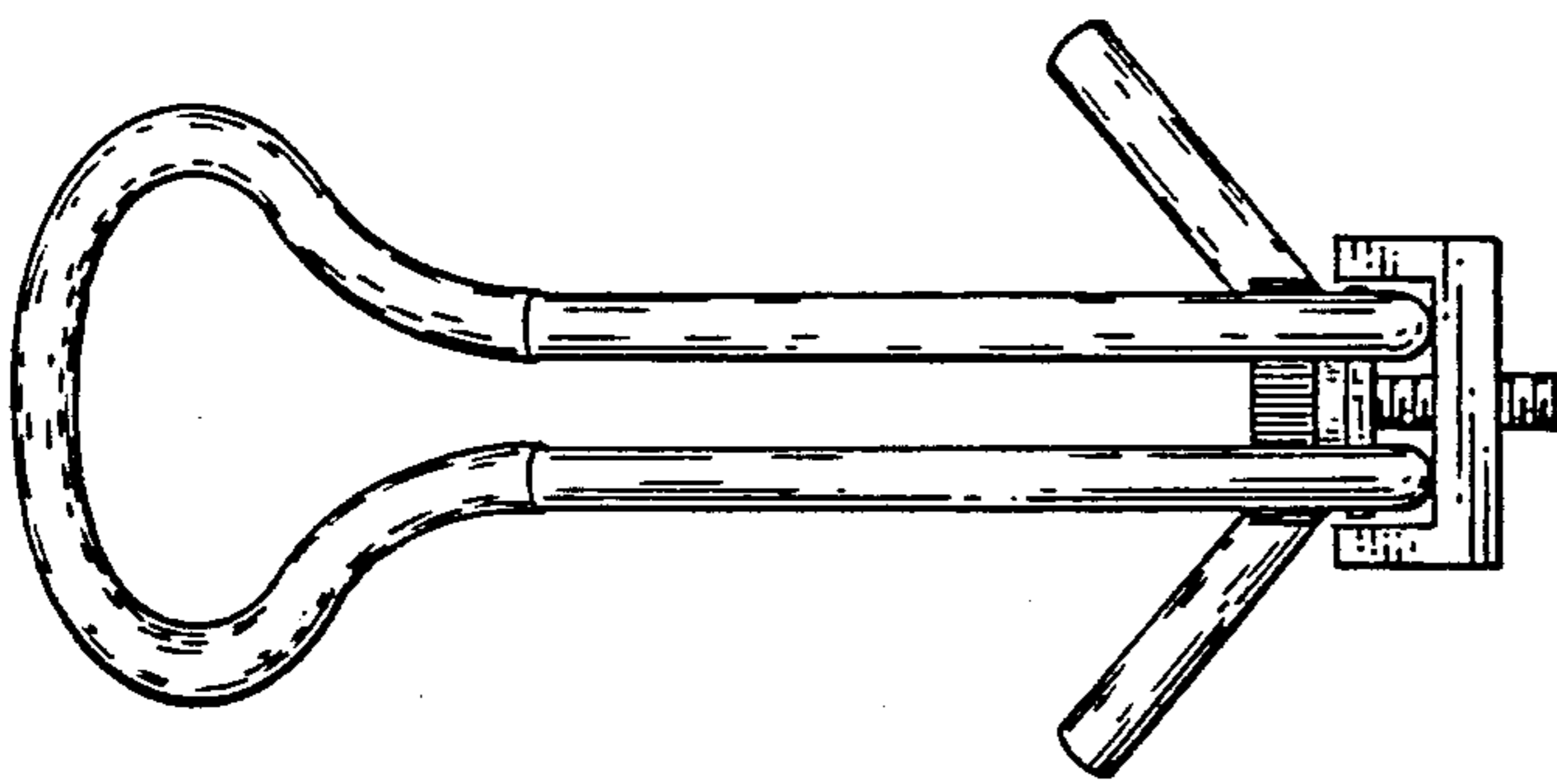
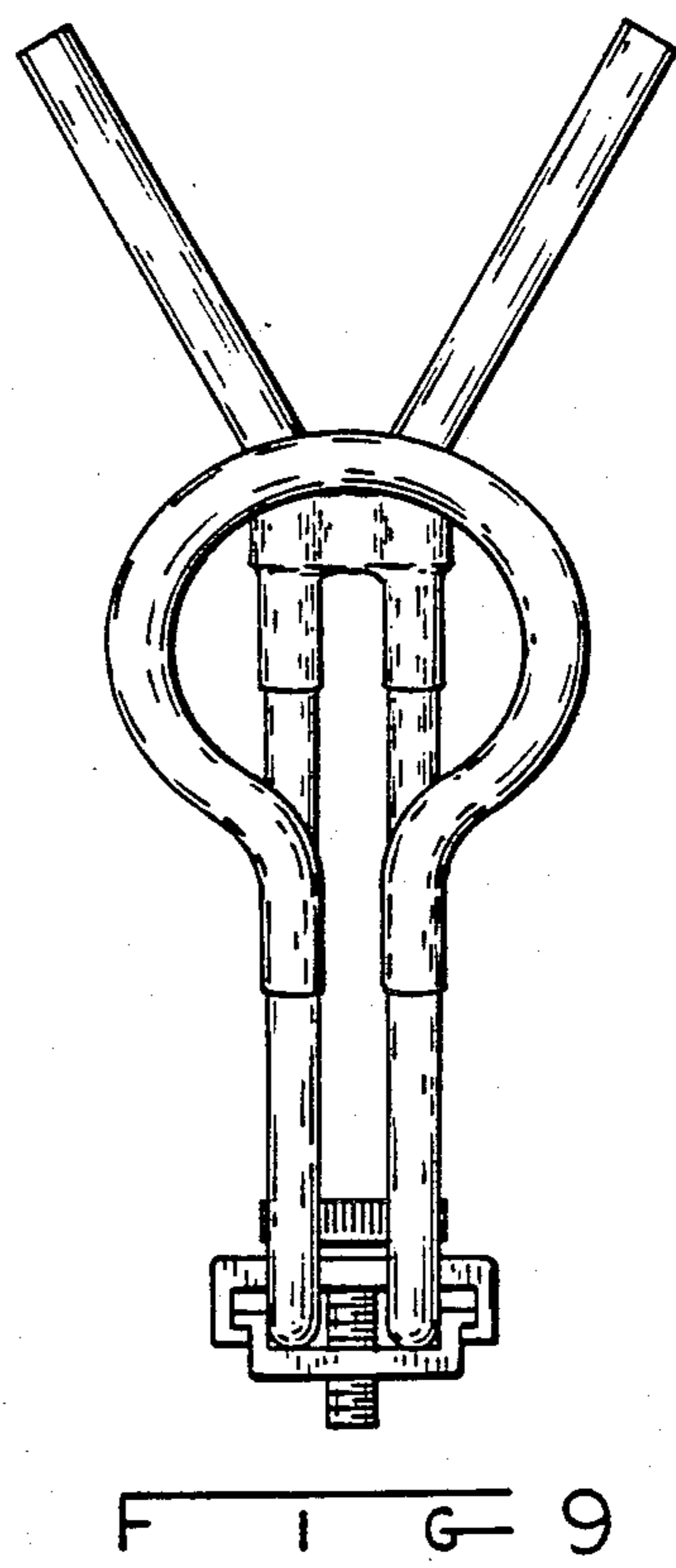
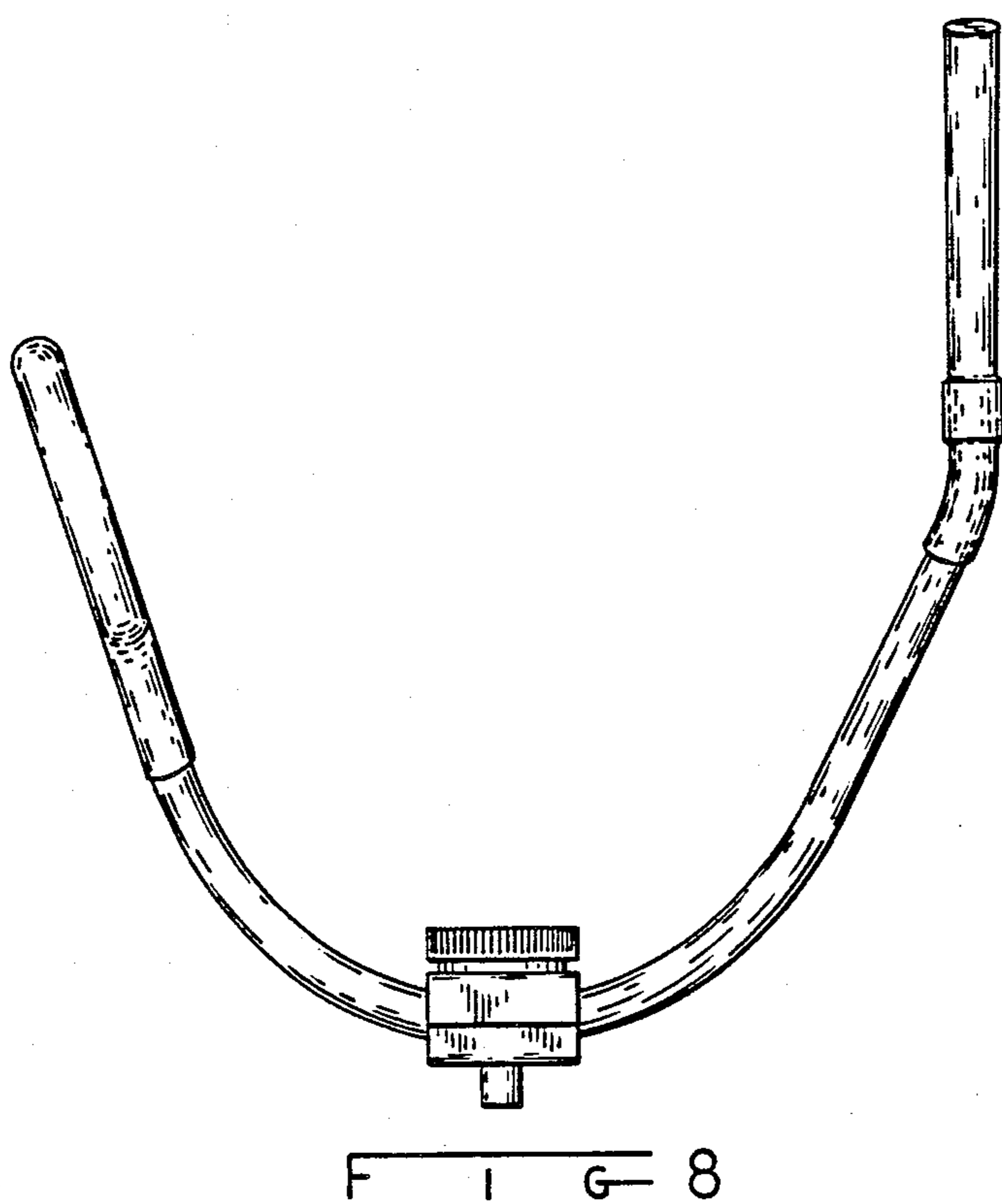
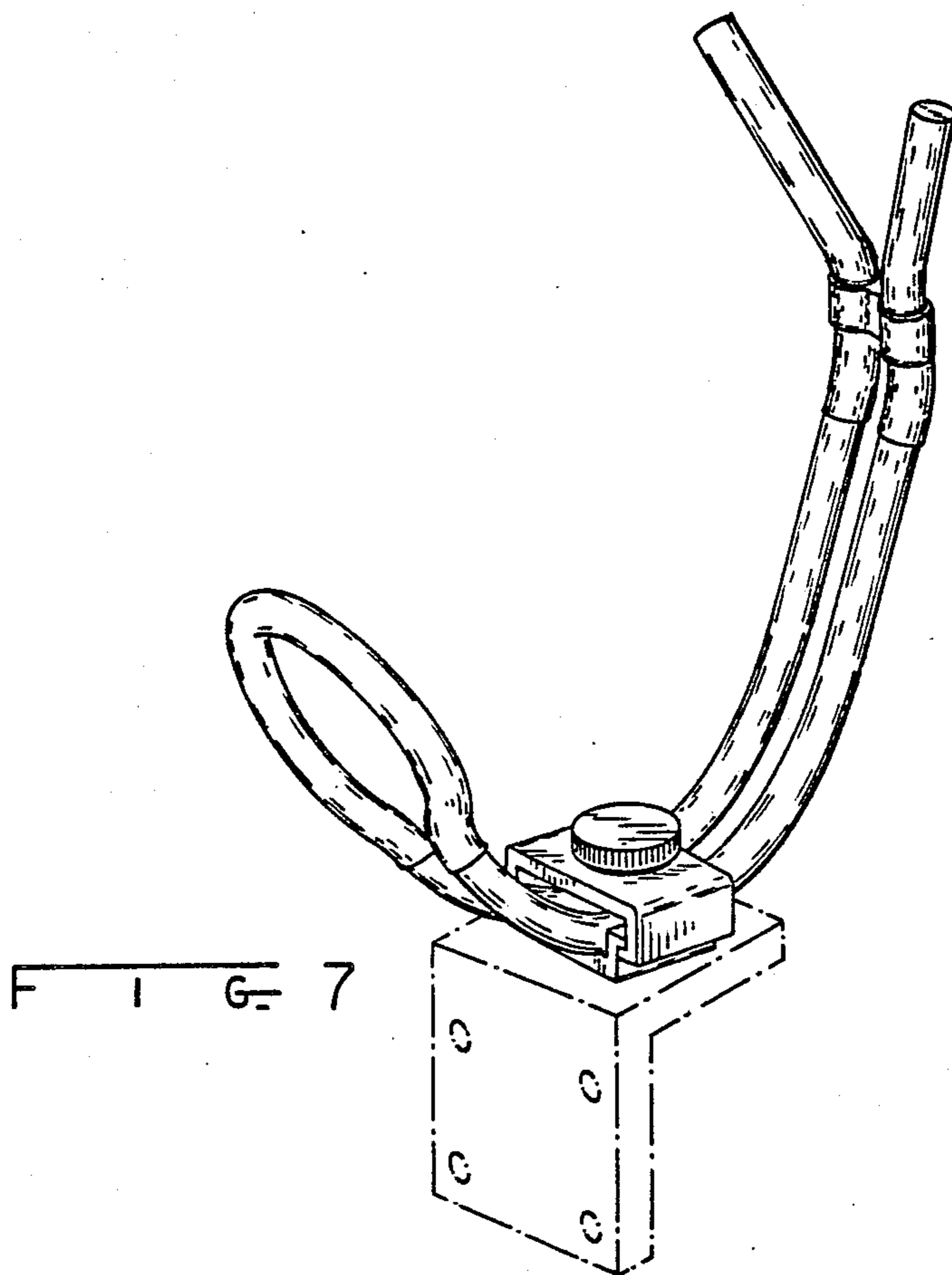
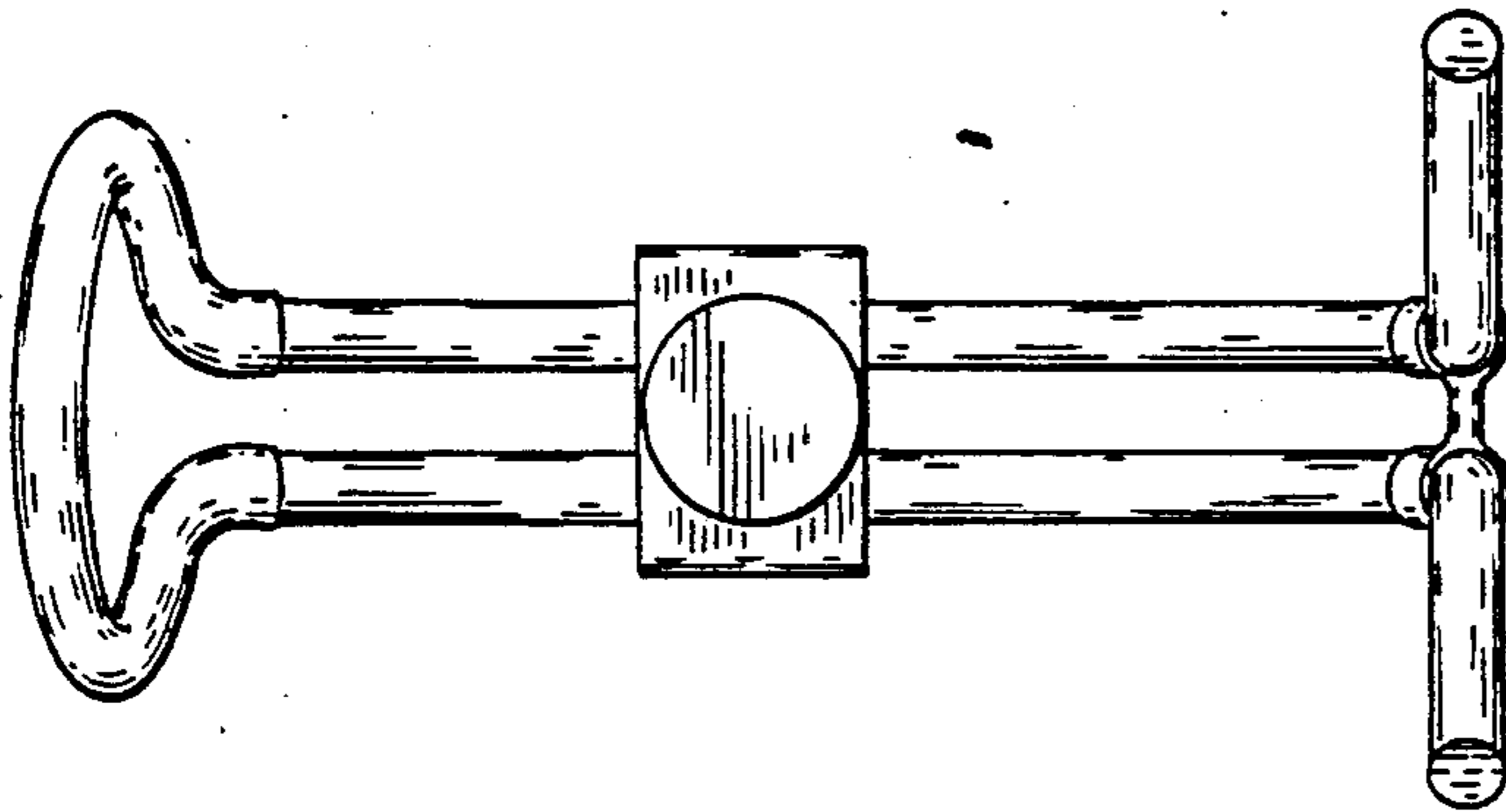
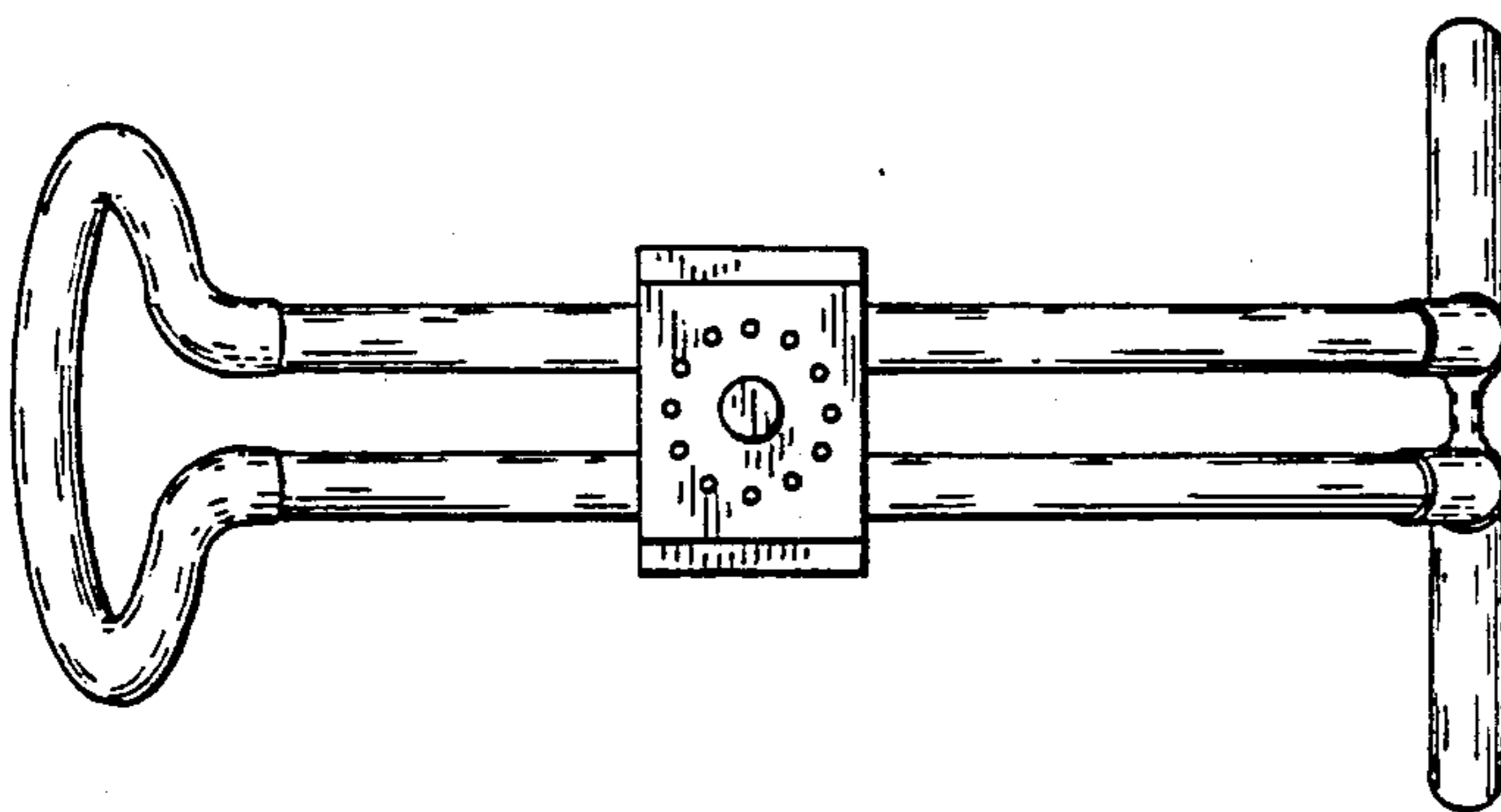


FIG. 5

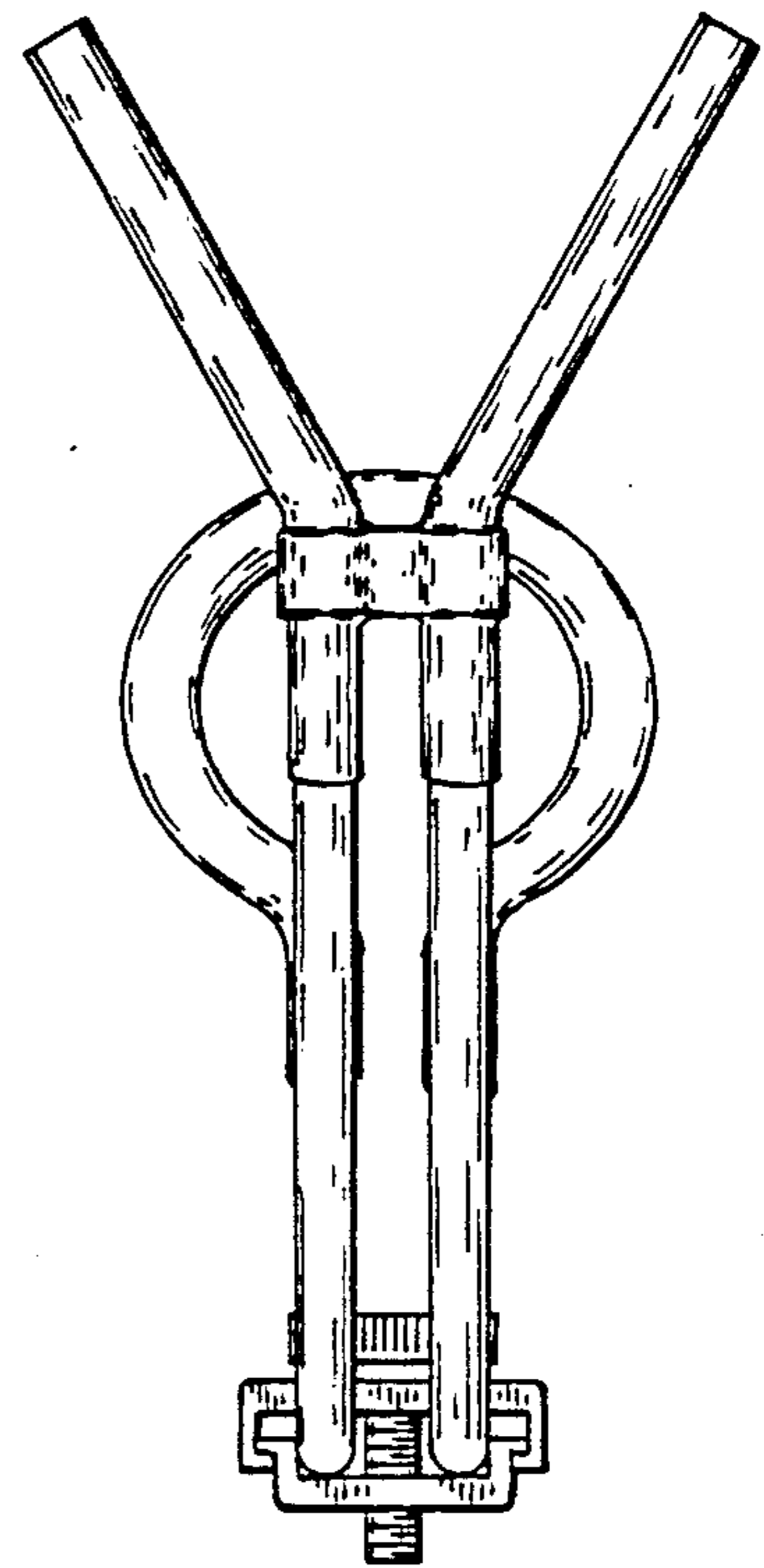




F I G 10



F I G 11



F I G 12