

[54] **TOY ROBOT**

[75] **Inventor:** Hiroshi Horiuchi, Toyko, Japan-
[73] **Assignee:** Tomy Kogyo Co., Inc., Tokyo, Japan
[**] **Term:** 14 Years
[21] **Appl. No.:** 795,829
[22] **Filed:** Nov. 7, 1985

[30] **Foreign Application Priority Data**
May 17, 1985 [JP] Japan 60-20439
[52] **U.S. Cl.** **D21/150**
[58] **Field of Search** D21/150; 446/290-292,
446/71-75, 49, 100, 376, 487

[56] **References Cited**
U.S. PATENT DOCUMENTS
D. 285,599 9/1986 Forino D21/150

D. 290,032 5/1987 Horiuchi D21/150

OTHER PUBLICATIONS

Popular Science, May, 1983, p. 98, top right, Heath's Hero 1, Robot.

Primary Examiner—Melvin B. Feifer
Attorney, Agent, or Firm—Staas & Halsey

[57] **CLAIM**

The ornamental design for a toy robot, as shown.

DESCRIPTION

FIG. 1 is a front elevational view of a toy robot showing my new design;
FIG. 2 is a rear elevational view thereof;
FIG. 3 is a right side elevational view thereof;
FIG. 4 is a left side elevational view thereof;
FIG. 5 is a top plan view thereof; and
FIG. 6 is a bottom plan view thereof.

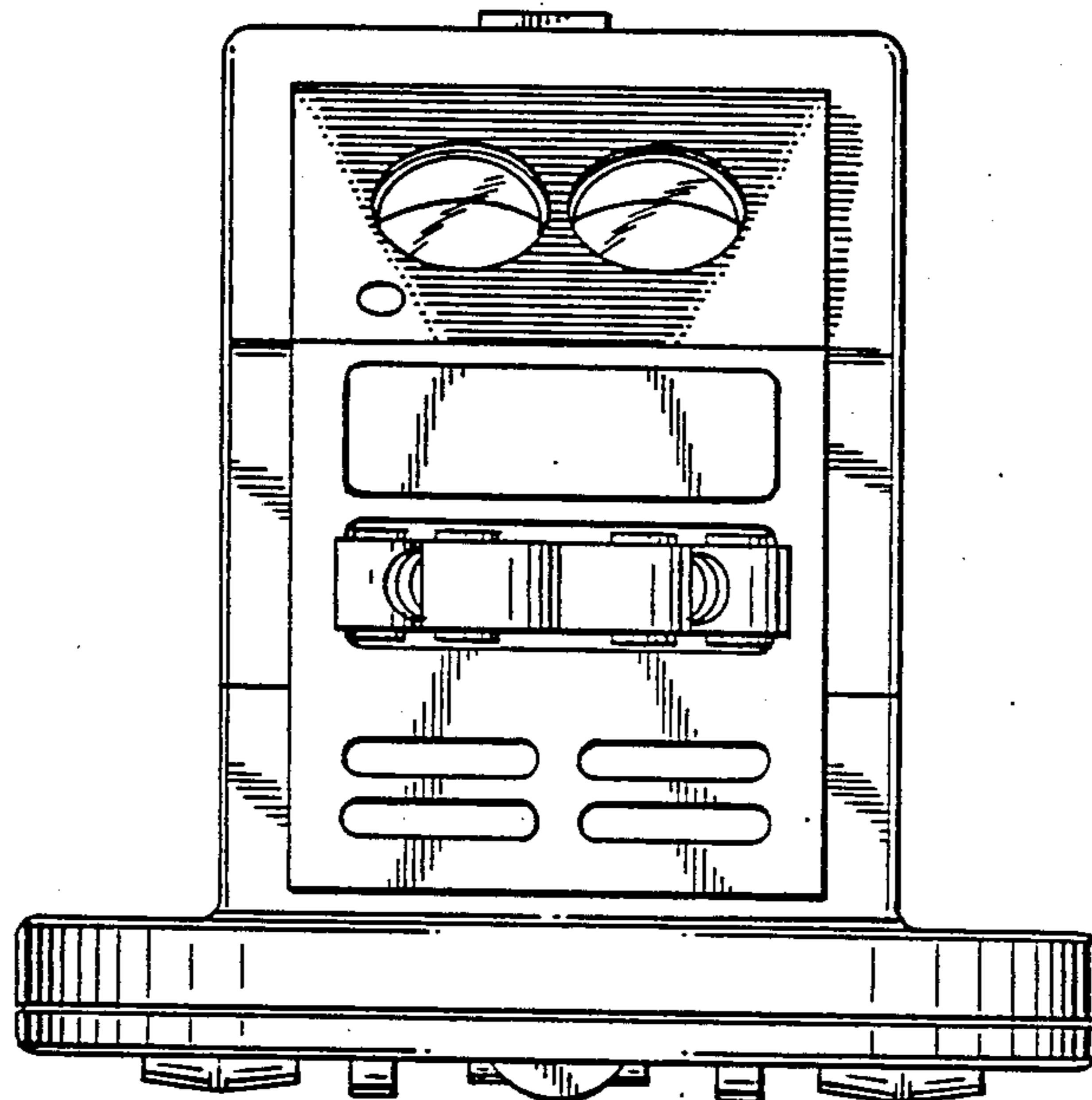


FIG. 2.

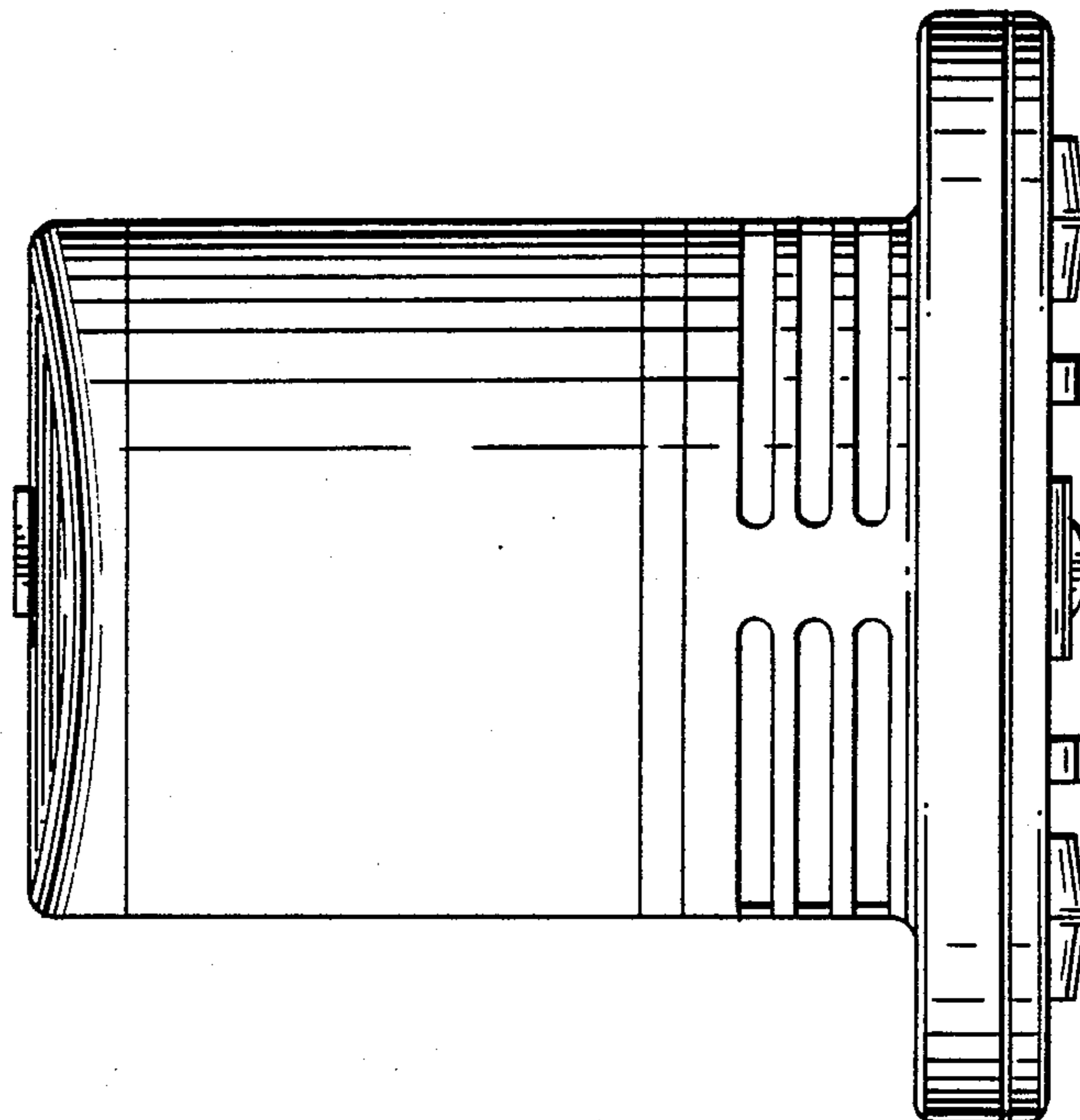


FIG. 1.

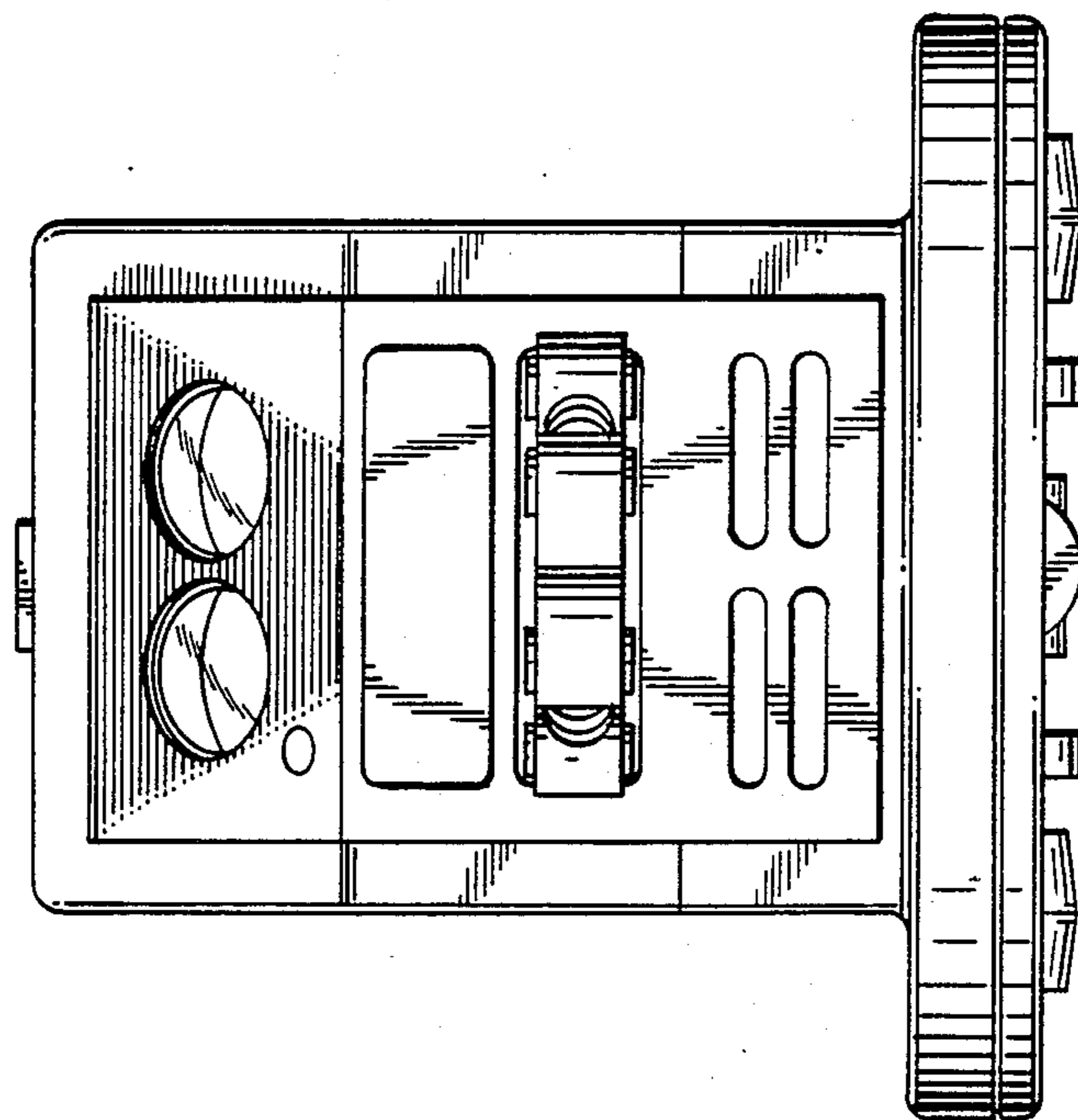


FIG. 4.

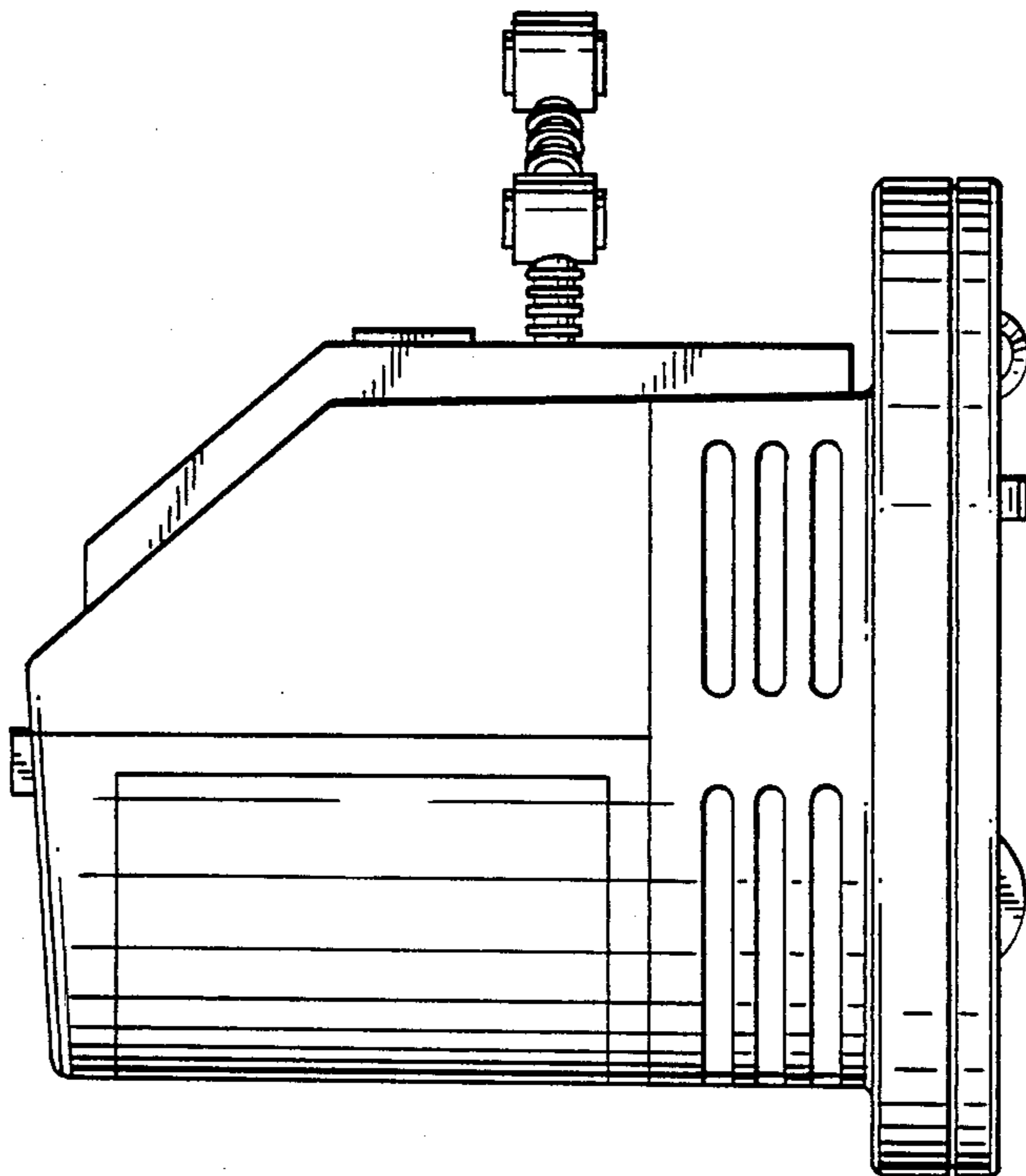


FIG. 3.

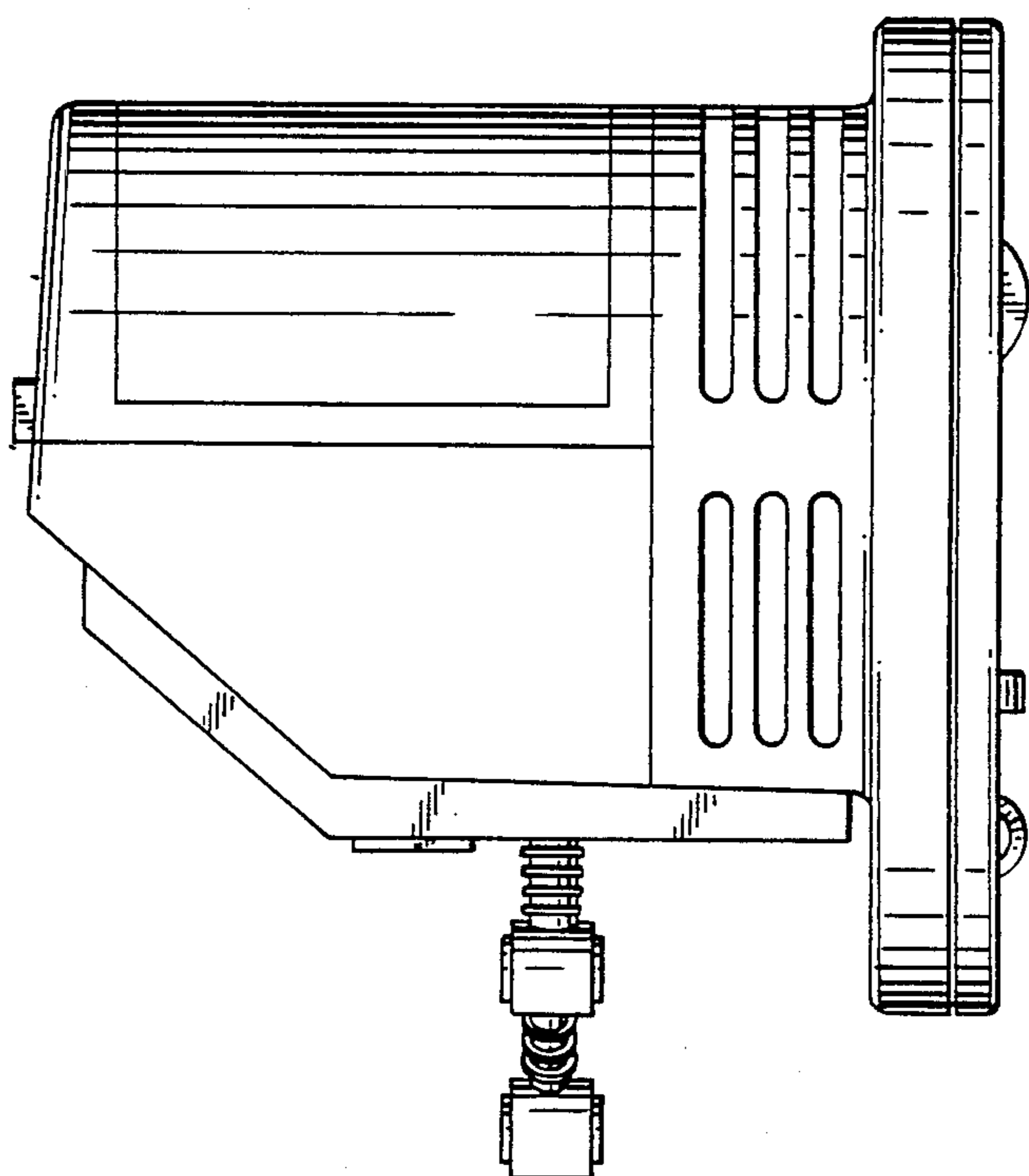


FIG. 5.

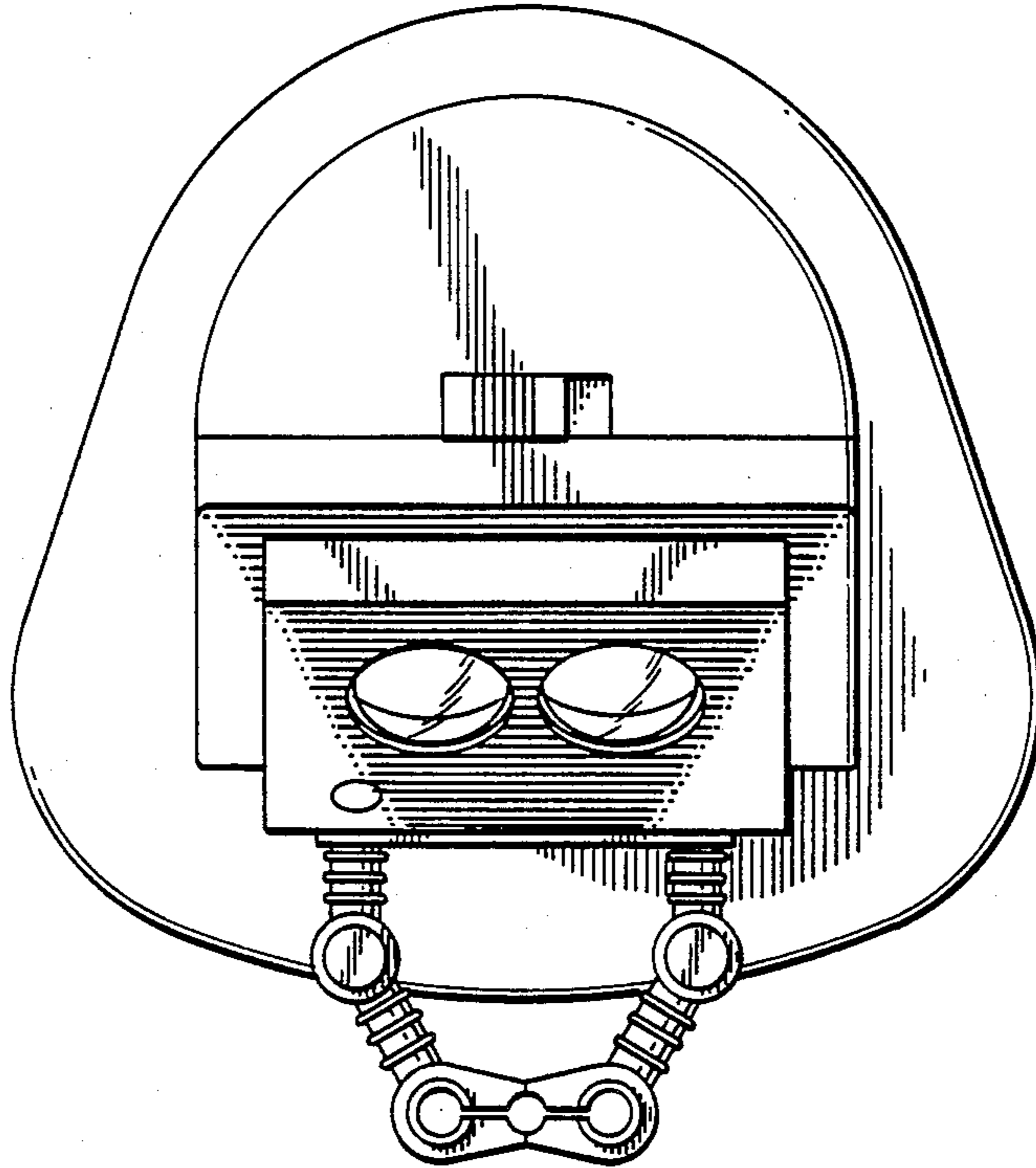


FIG. 6.

