

# United States Patent [19]

Thomson et al.

[11] Patent Number: Des. 293,342

[45] Date of Patent: \*\* Dec. 22, 1987

[54] TOY TOW TRUCK

[75] Inventors: Harry S. Thomson, Richmond; David M. Raffo; John A. Pape, both of Hitchin, all of England

[73] Assignee: Hestair Kiddicraft Limited, Great Britain

[\*\*] Term: 14 Years

[21] Appl. No.: 702,487

[22] Filed: Feb. 19, 1985

[30] Foreign Application Priority Data

Jan. 14, 1985 [GB] United Kingdom ..... 1024392

[52] U.S. Cl. .... D21/139

[58] Field of Search ..... D21/139, 128, 132; D24/41; 446/451, 465, 452, 470, 425, 426, 427

[56] References Cited

### U.S. PATENT DOCUMENTS

D. 257,368 10/1980 Breneman ..... D21/139

D. 258,974 4/1981 Samuels ..... D21/139  
D. 272,929 3/1984 Hilko ..... D21/139  
D. 273,042 3/1984 Jackson ..... D24/36  
D. 284,682 7/1986 Dorelli ..... D21/139

### OTHER PUBLICATIONS

Tomy catalog, 1984, p. 9, item #1043, Toy Truck.

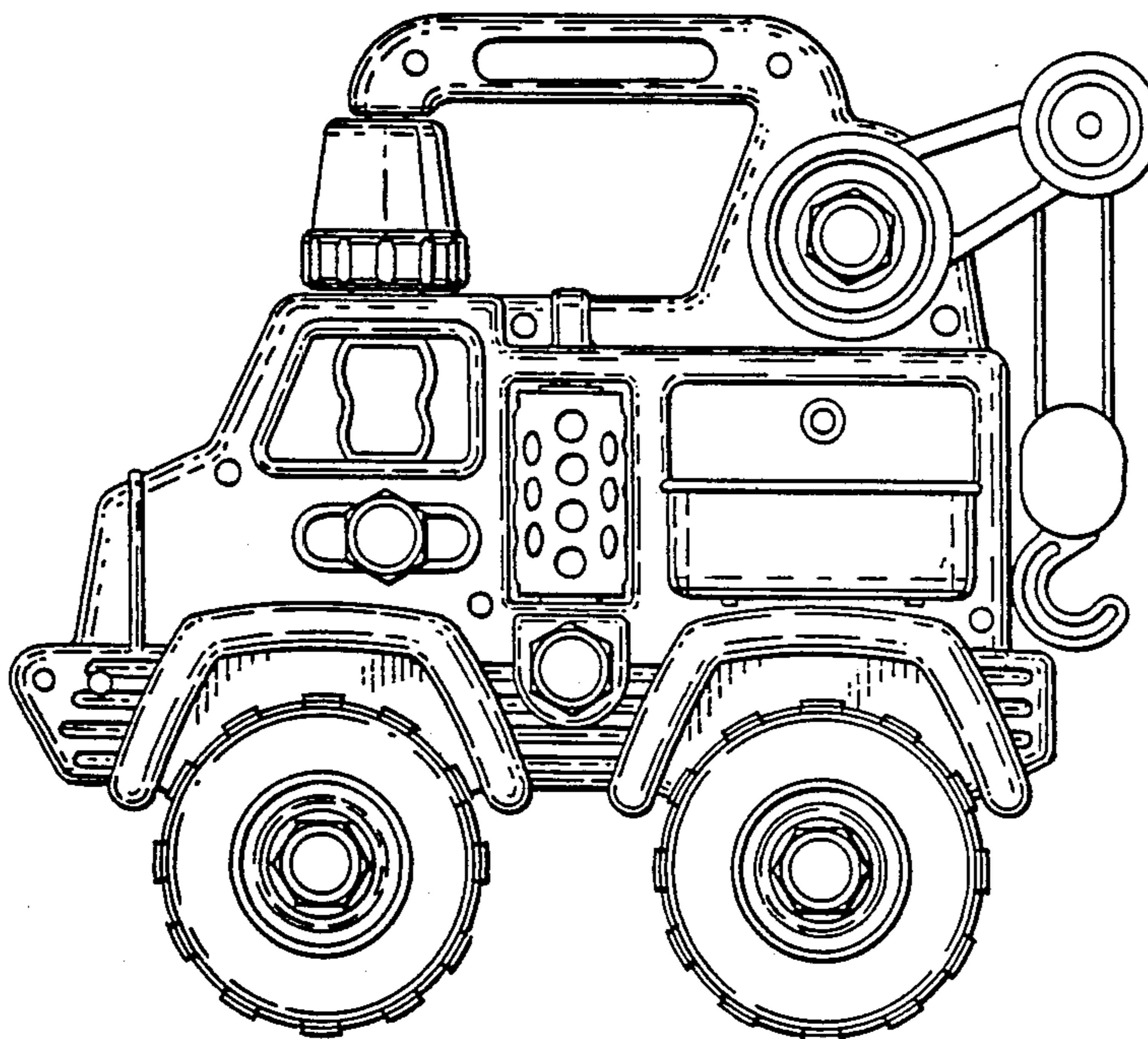
Primary Examiner—Charles A. Rademaker

### [57] CLAIM

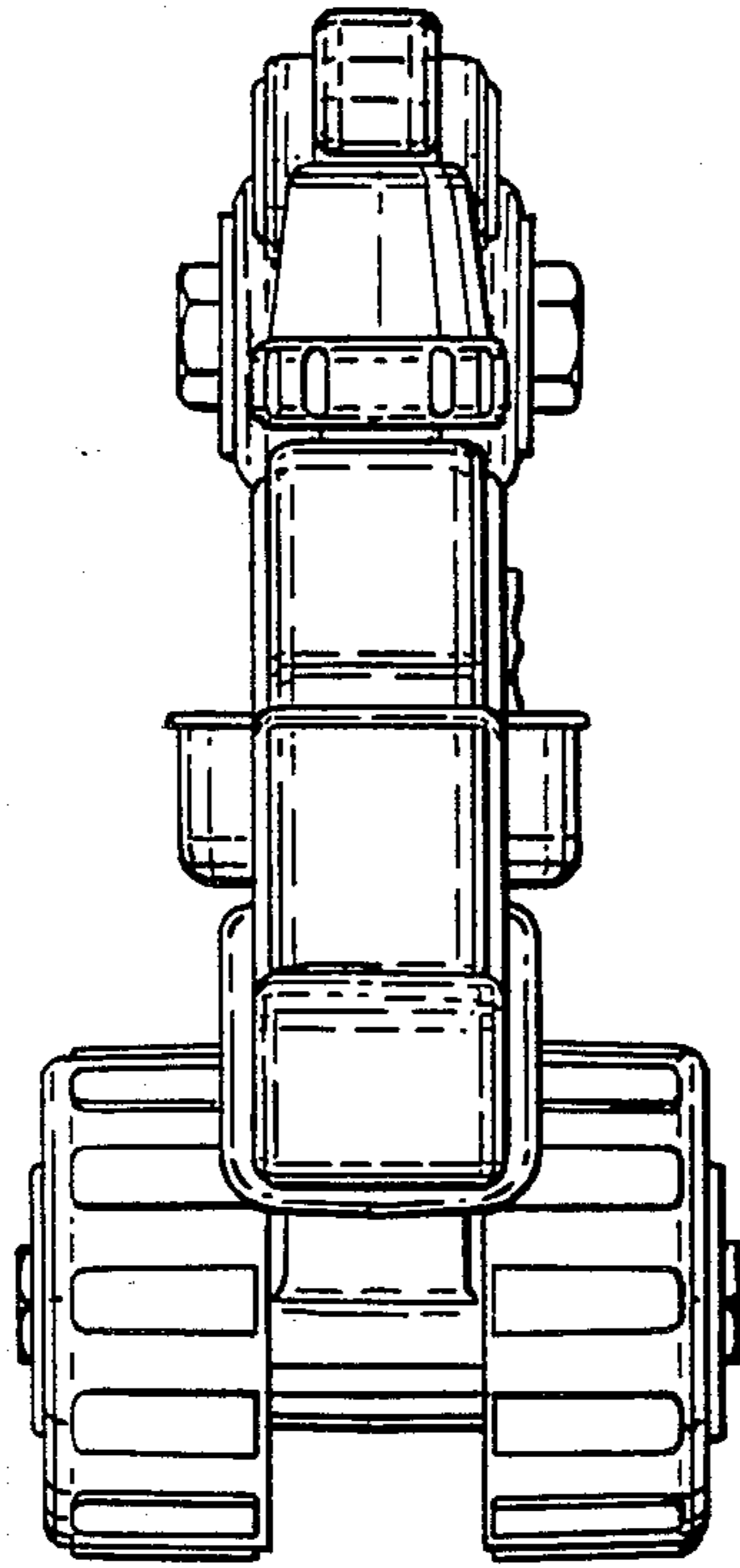
The ornamental design for toy tow truck, as shown and described.

### DESCRIPTION

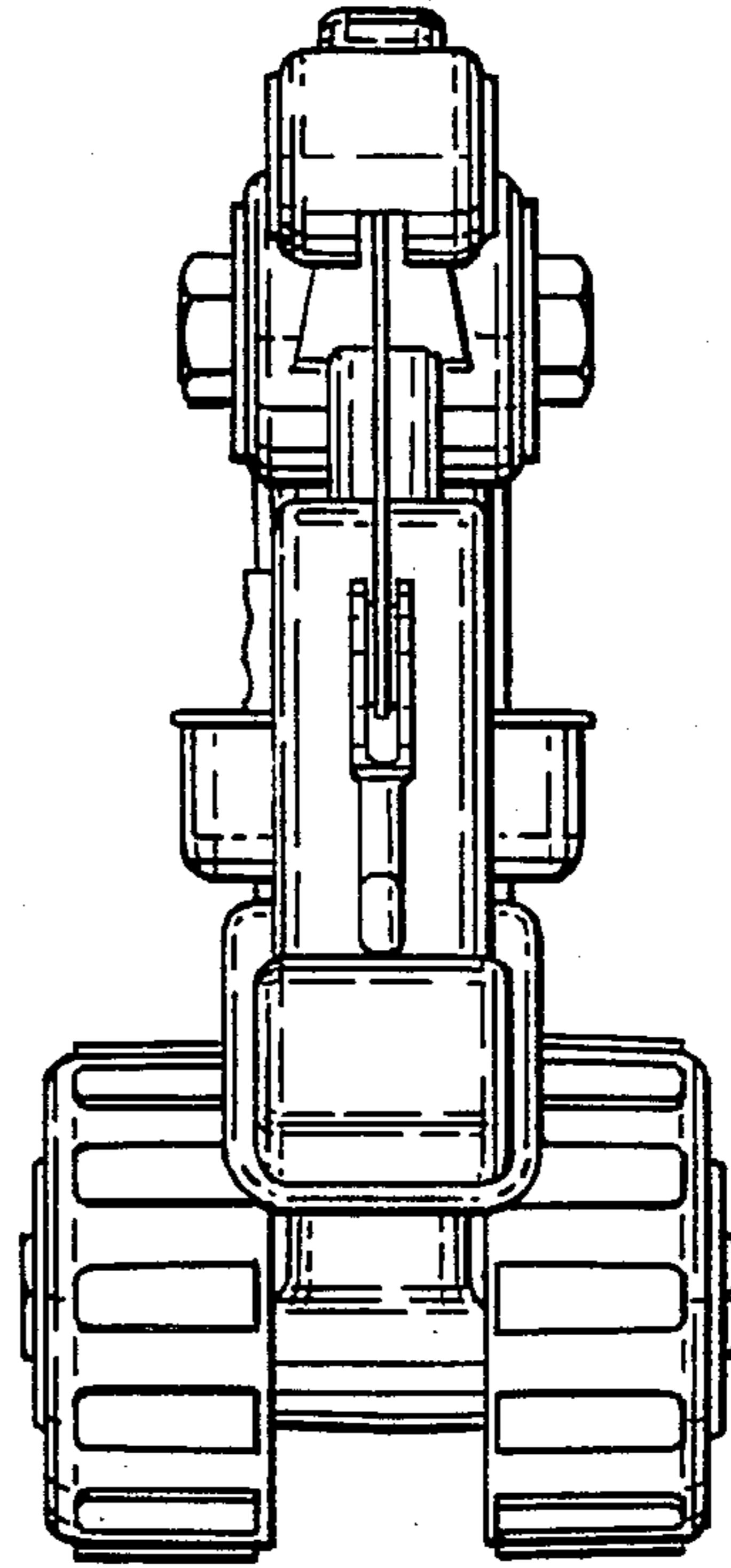
FIG. 1 is a front elevational view of a toy tow truck showing our new design;  
FIG. 2 is a rear elevational view thereof;  
FIG. 3 is a side elevational view thereof;  
FIG. 4 is a side elevational view of the side opposite that shown in FIG. 3;  
FIG. 5 is a top plan view thereof; and  
FIG. 6 is a bottom plan view thereof.



*Fig. 1.*



*Fig. 2.*



*Fig. 3.*

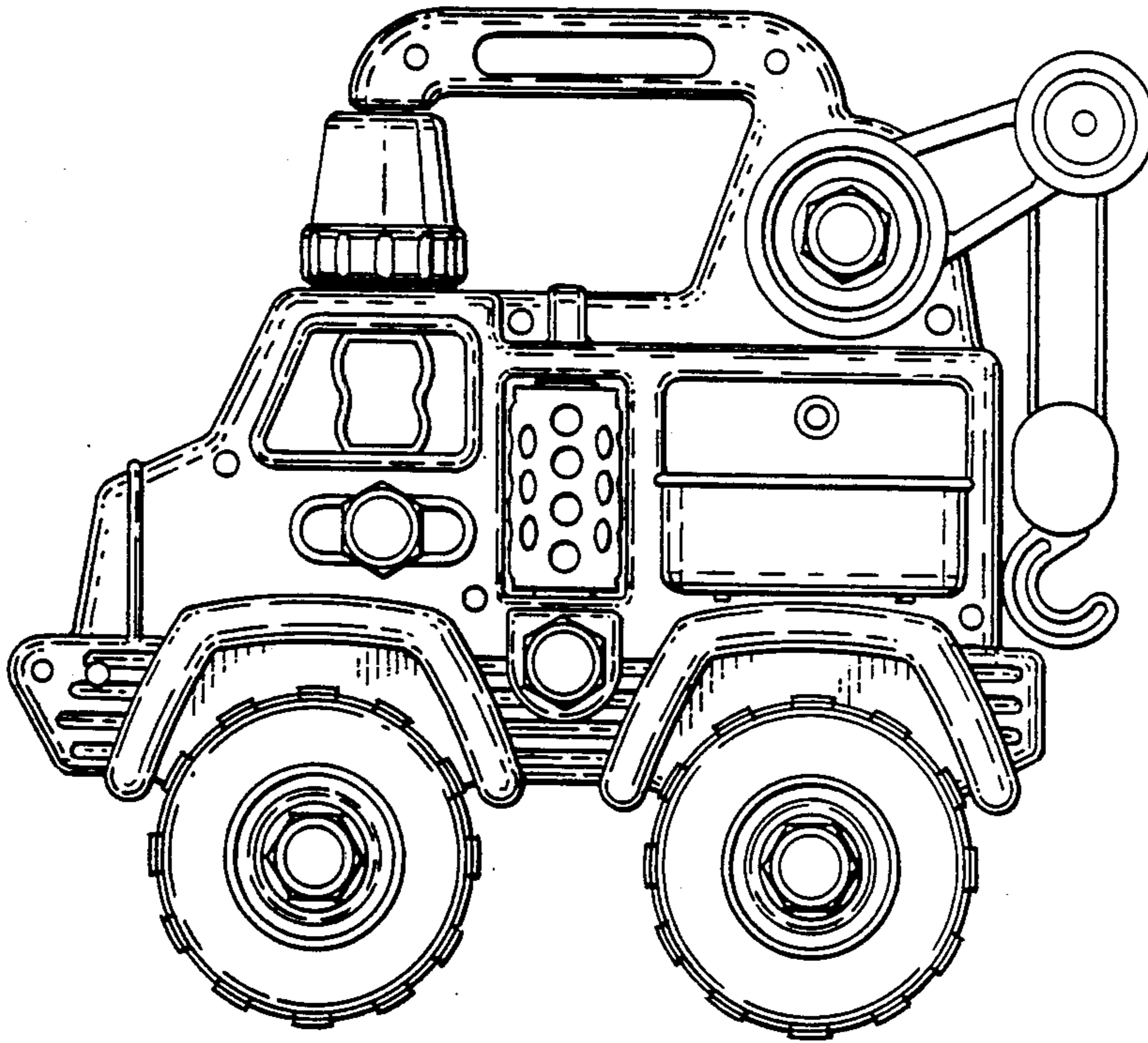
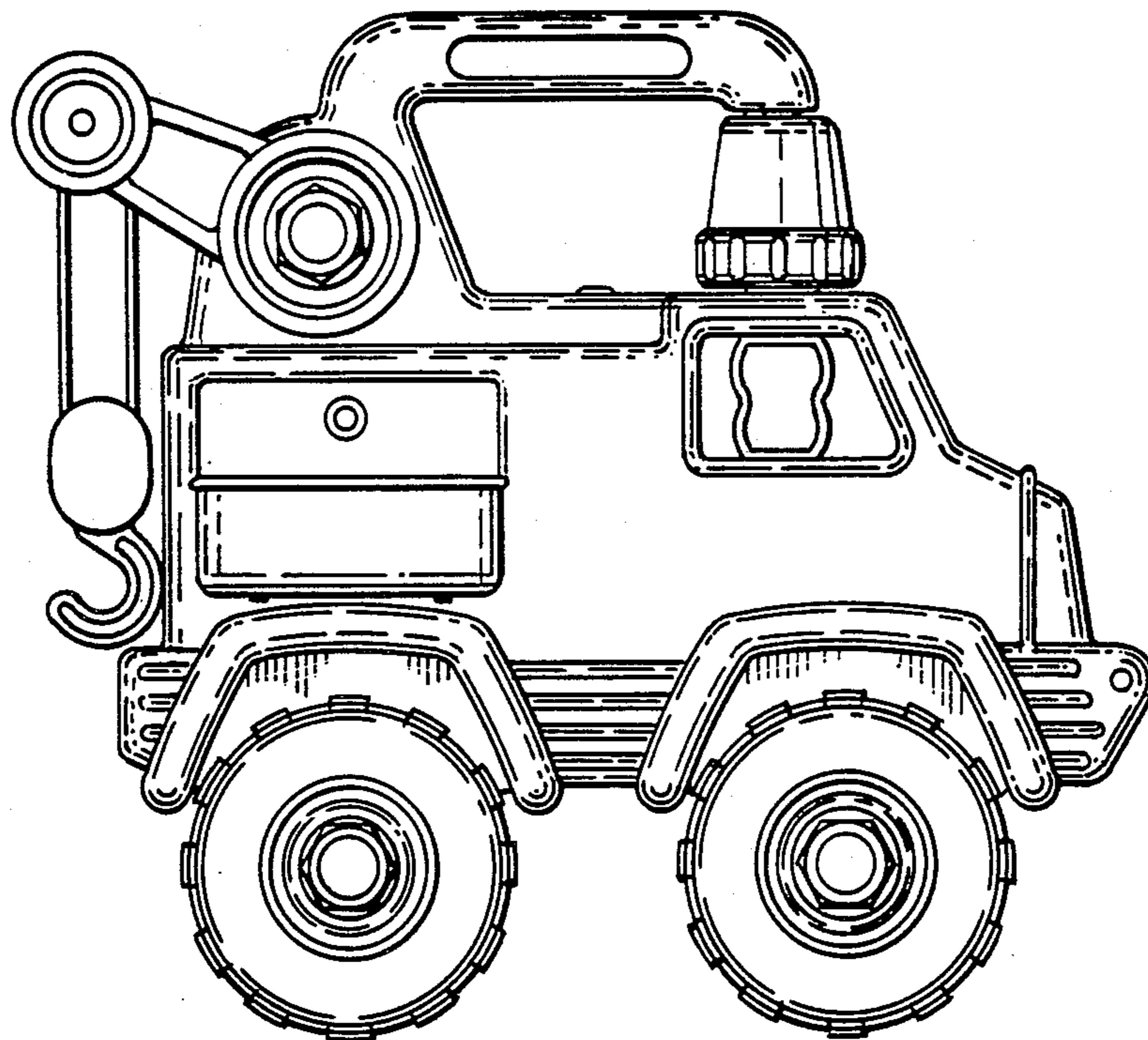
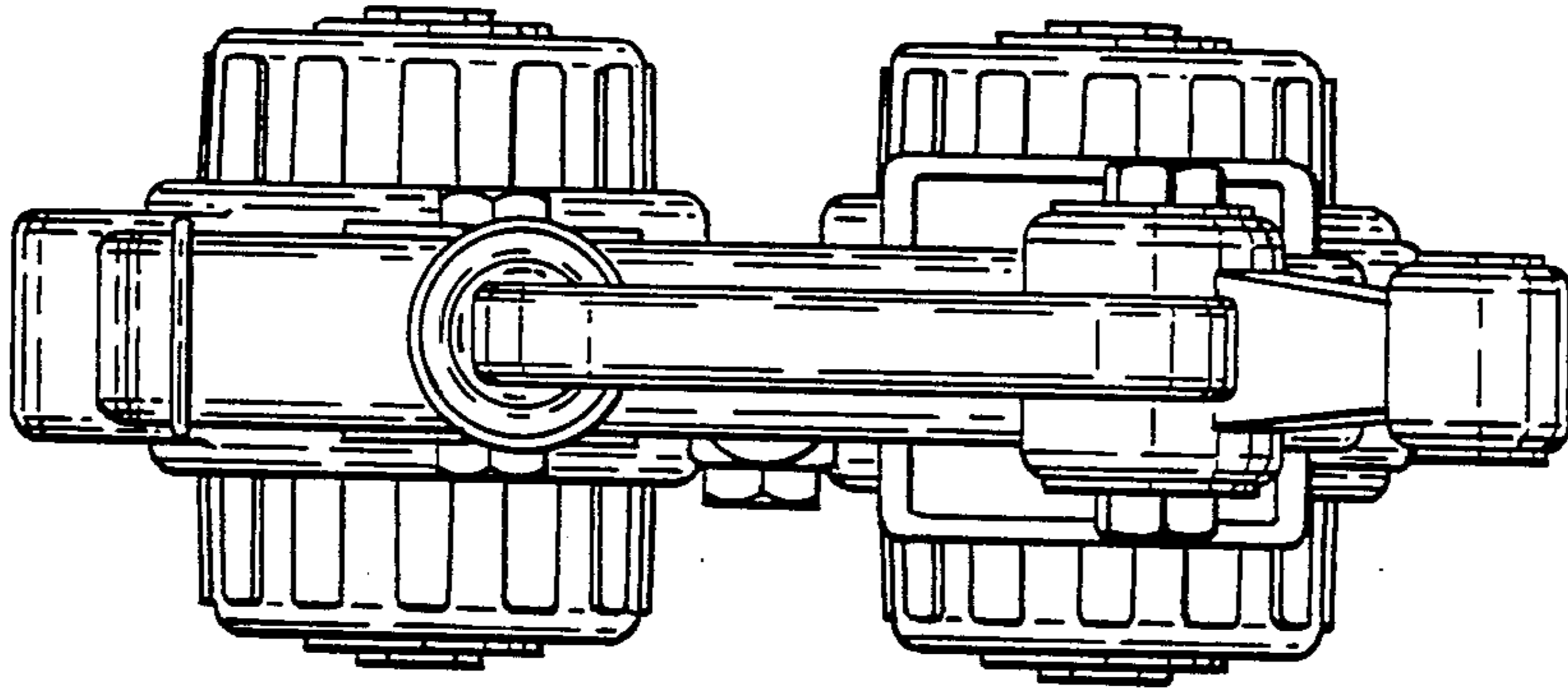


Fig. 4.



*Fig. 5.*



*Fig. 6.*

