

[54] CASE FOR MAGNETIC MEDIA, PROGRAMS AND THE LIKE

4,002,355 1/1977 Sendor ..... 281/29  
4,518,275 5/1985 Rauch, III et al. .... D19/26 X

[76] Inventor: Robert A. Egly, 38 Whitewater Dr.,  
Corona del Mar, Calif. 92625

Primary Examiner—Bernard Ansher  
Assistant Examiner—Linda Titolo  
Attorney, Agent, or Firm—George F. Bethel; Patience  
K. Bethel

[\*\*] Term: 14 Years

[21] Appl. No.: 618,531

[57] CLAIM

[22] Filed: Jun. 8, 1984

[52] U.S. Cl. .... D19/27

[58] Field of Search ..... D19/22, 26, 27, 28;  
D3/35; 206/425, 311, 387; 281/19 R, 18, 20, 29

The ornamental design for a case for magnetic media, programs and the like, substantially as shown and described.

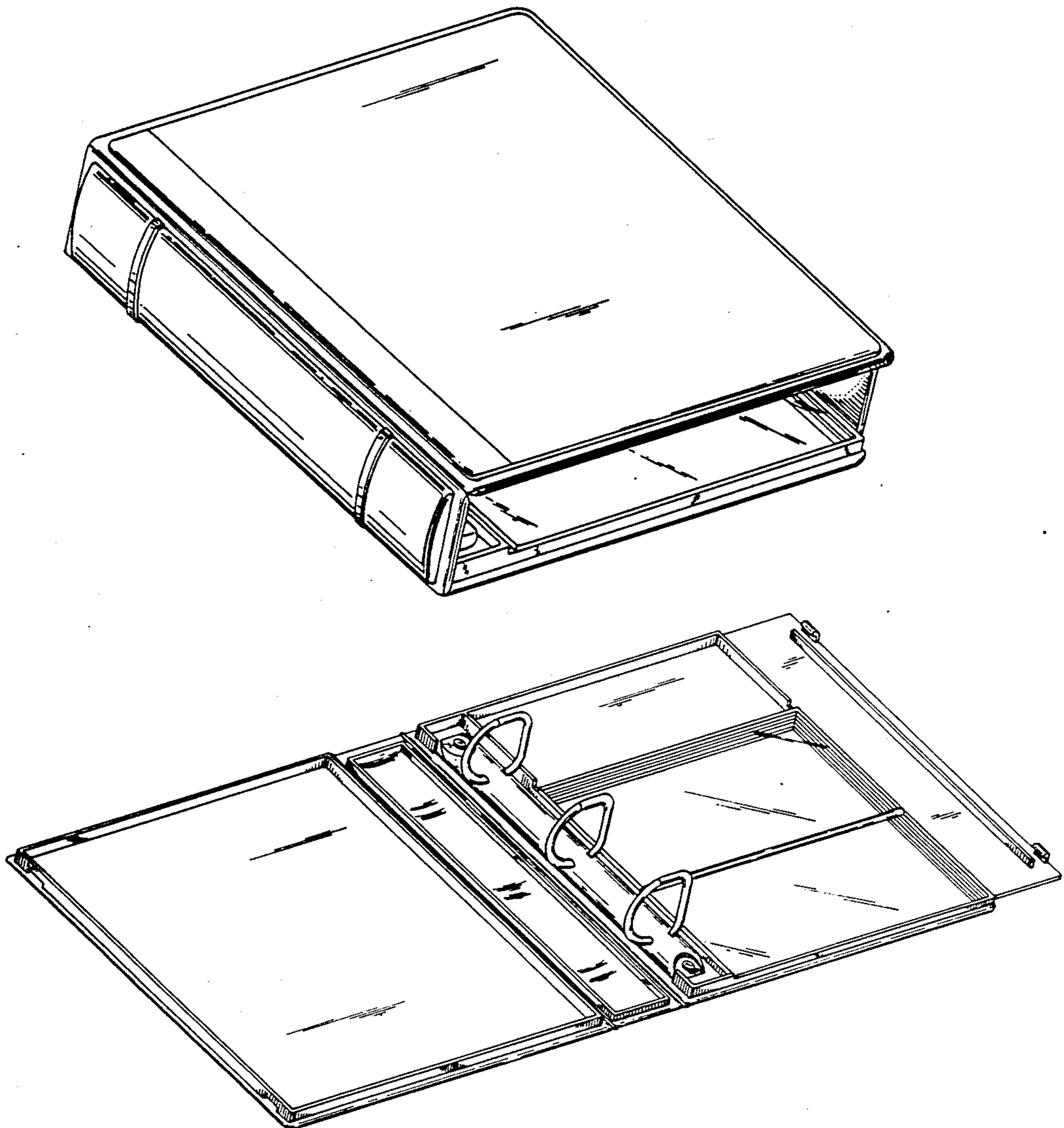
DESCRIPTION

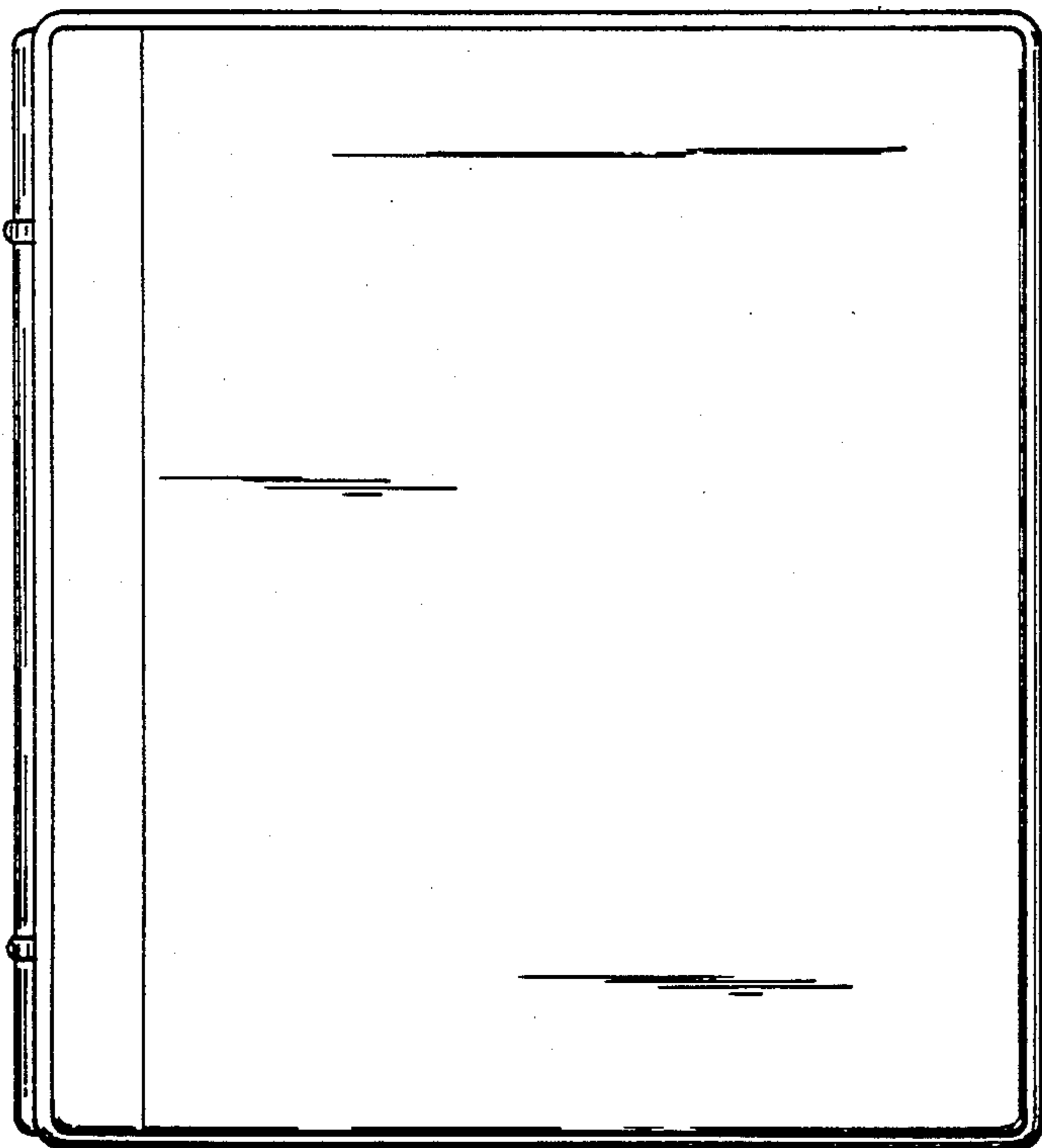
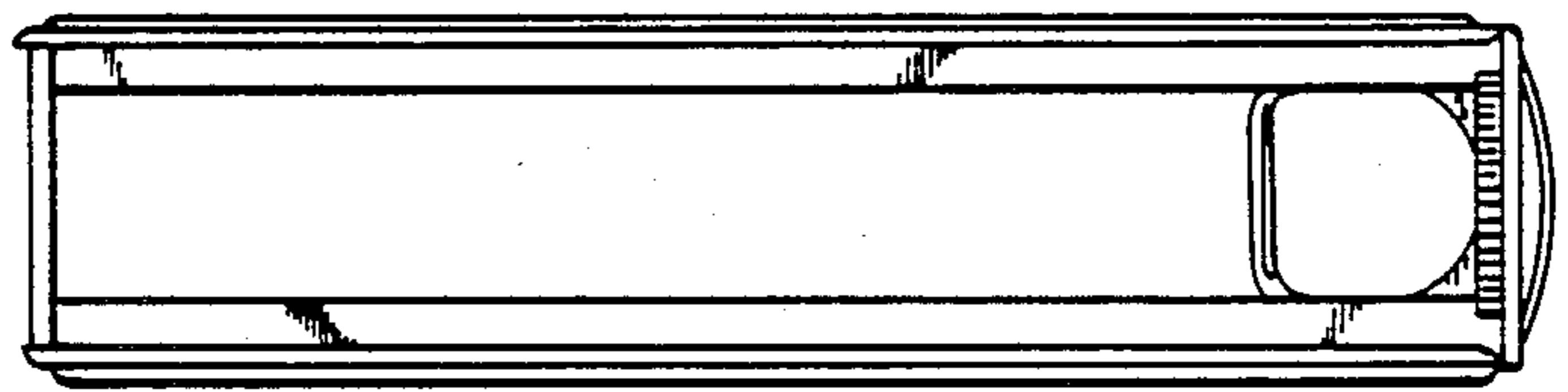
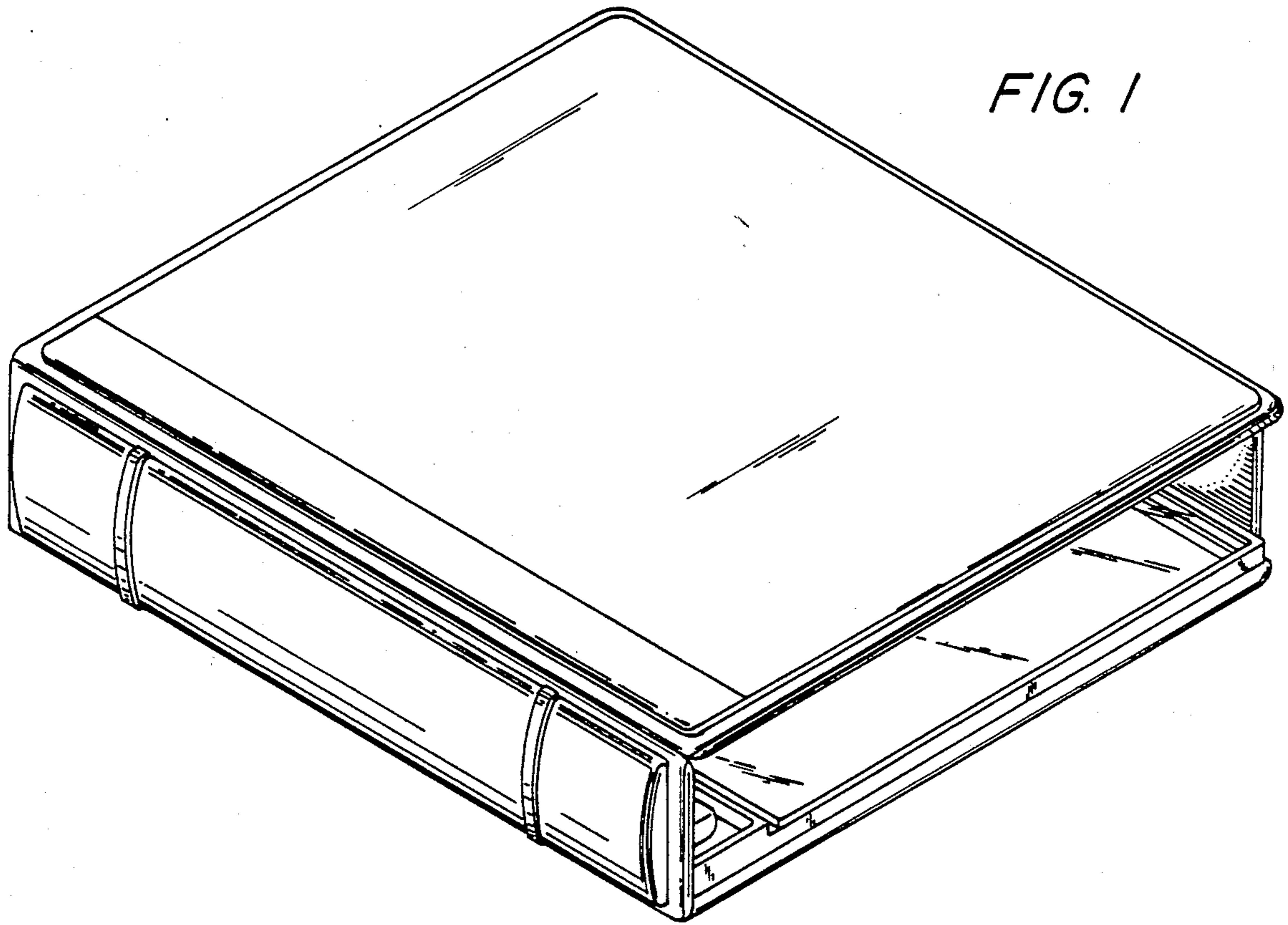
[56] References Cited

U.S. PATENT DOCUMENTS

D. 19,648 2/1890 Sweet ..... D19/26  
D. 127,370 5/1941 Froelich ..... D19/22  
D. 271,063 10/1983 Compton ..... D19/28 X  
D. 271,161 11/1983 Compton ..... D19/28 X  
D. 281,834 12/1985 Rose, Jr. et al. .... D19/26 X  
763,554 6/1904 Greene ..... 281/20

FIG. 1 is a top front and left side perspective view of the case for magnetic media, programs and the like, showing my new design;  
FIG. 2 is a rear elevational view thereof;  
FIG. 3 is a bottom plan view thereof;  
FIG. 4 is a right side elevational view thereof; and  
FIG. 5 is a perspective view thereof in a fully open position.





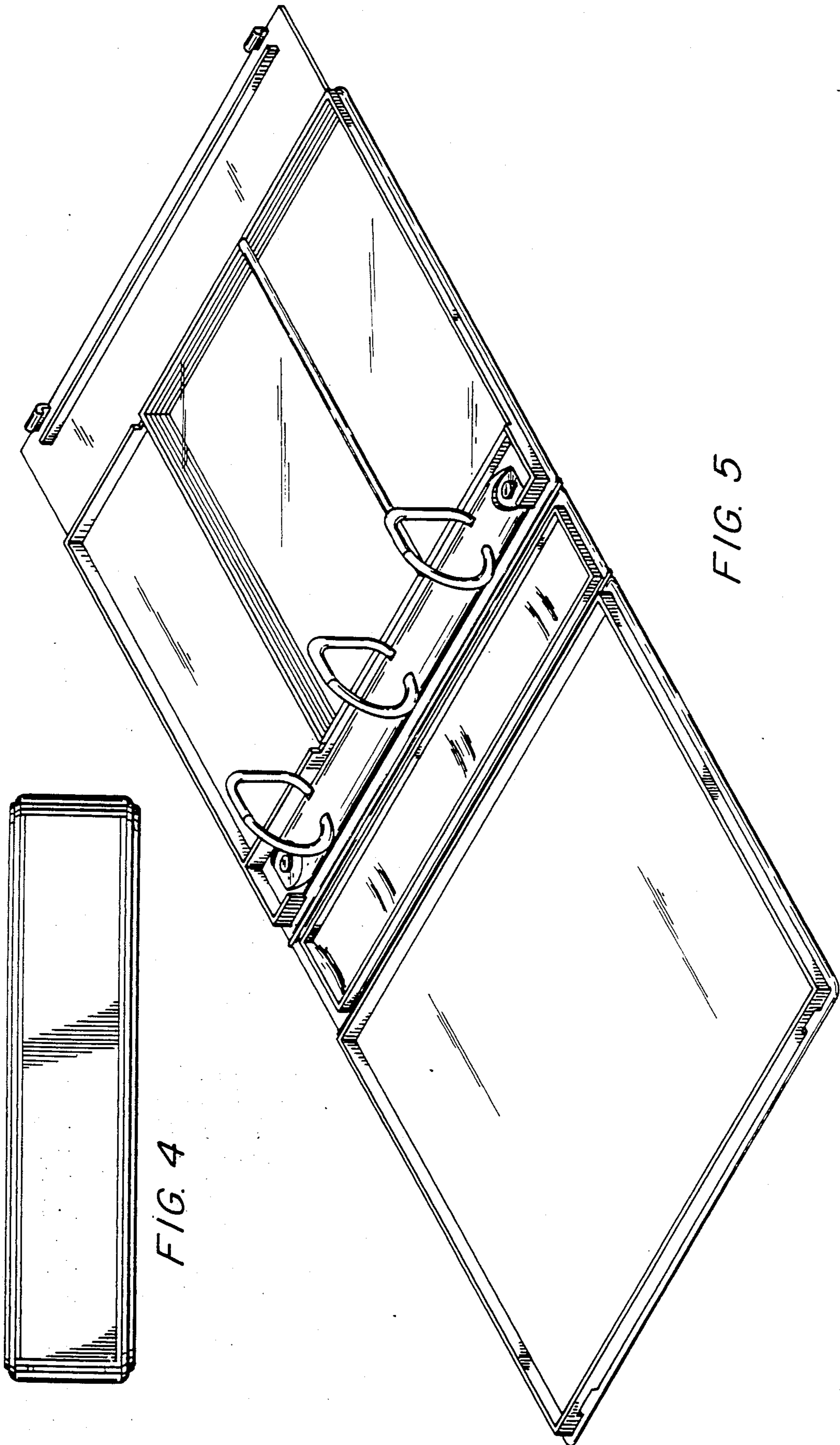


FIG. 4

FIG. 5