

[54] CAMERA

[75] Inventor: Takaharu Kato, Tokyo, Japan

[73] Assignee: Ricoh Company, Ltd., Tokyo, Japan

[**] Term: 14 Years

[21] Appl. No.: 739,136

[22] Filed: May 30, 1985

[30] Foreign Application Priority Data

Nov. 30, 1984 [JP] Japan 59-049296

[52] U.S. Cl. D16/6; D16/1

[58] Field of Search D16/1-10;
354/81-82, 126, 127.1, 127.11, 149.11, 202, 288

[56] References Cited

U.S. PATENT DOCUMENTS

D. 223,409 4/1972 Fukuda D16/6
D. 271,881 12/1983 Kato D16/6
D. 284,579 7/1986 Io .
4,589,747 5/1986 Nakayama 354/187 X

OTHER PUBLICATIONS

Modern Photography—10/84—p. 77—Cameras at right.

Popular Photography—6/83—p. 73—Cameras at top.

Ricoh Flyer—1983—FF3-AF Camera.

Primary Examiner—Nelson C. Holtje

Attorney, Agent, or Firm—Oblon, Fisher, Spivak,
McClelland, & Maier

[57] CLAIM

The ornamental design for camera, as shown and described.

DESCRIPTION

FIG. 1 is a front and top-left perspective view of a camera showing my new design;

FIG. 2 is a front elevational view thereof;

FIG. 3 is a top plan view thereof;

FIG. 4 is a right side elevational view thereof;

FIG. 5 is a left side elevational view thereof;

FIG. 6 is a rear elevational view thereof; and

FIG. 7 is a bottom plan view thereof.

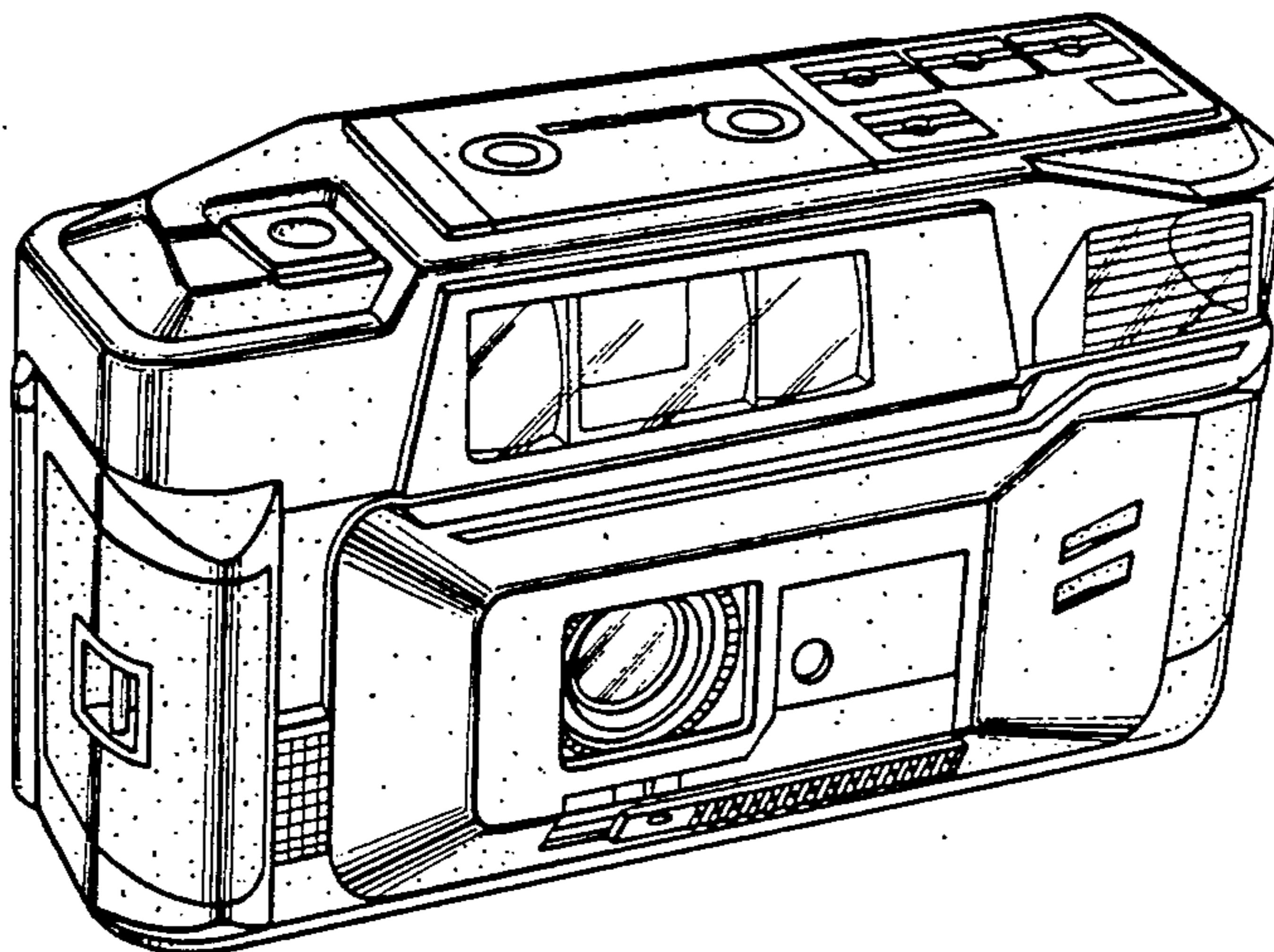


FIG. 1

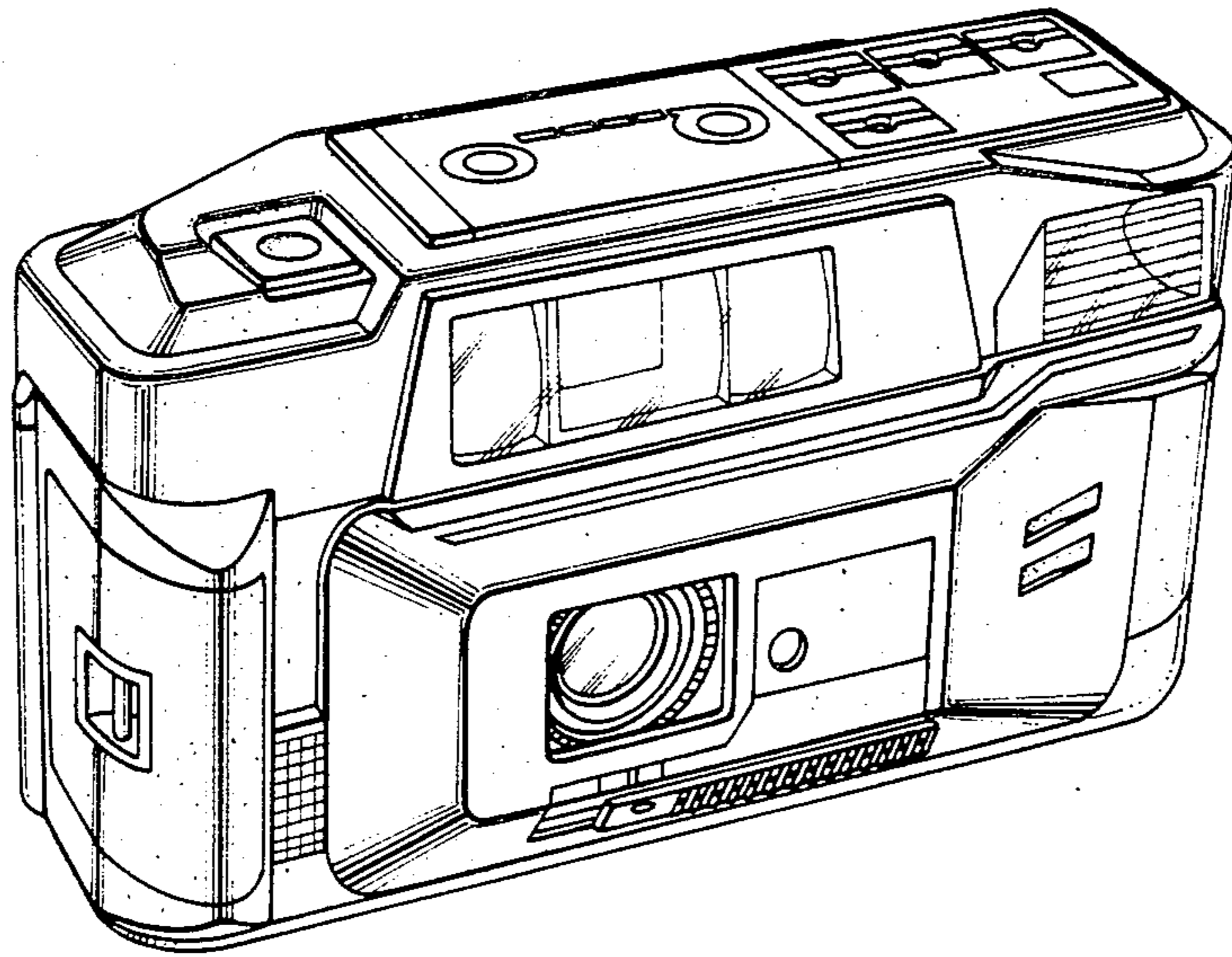


FIG. 2

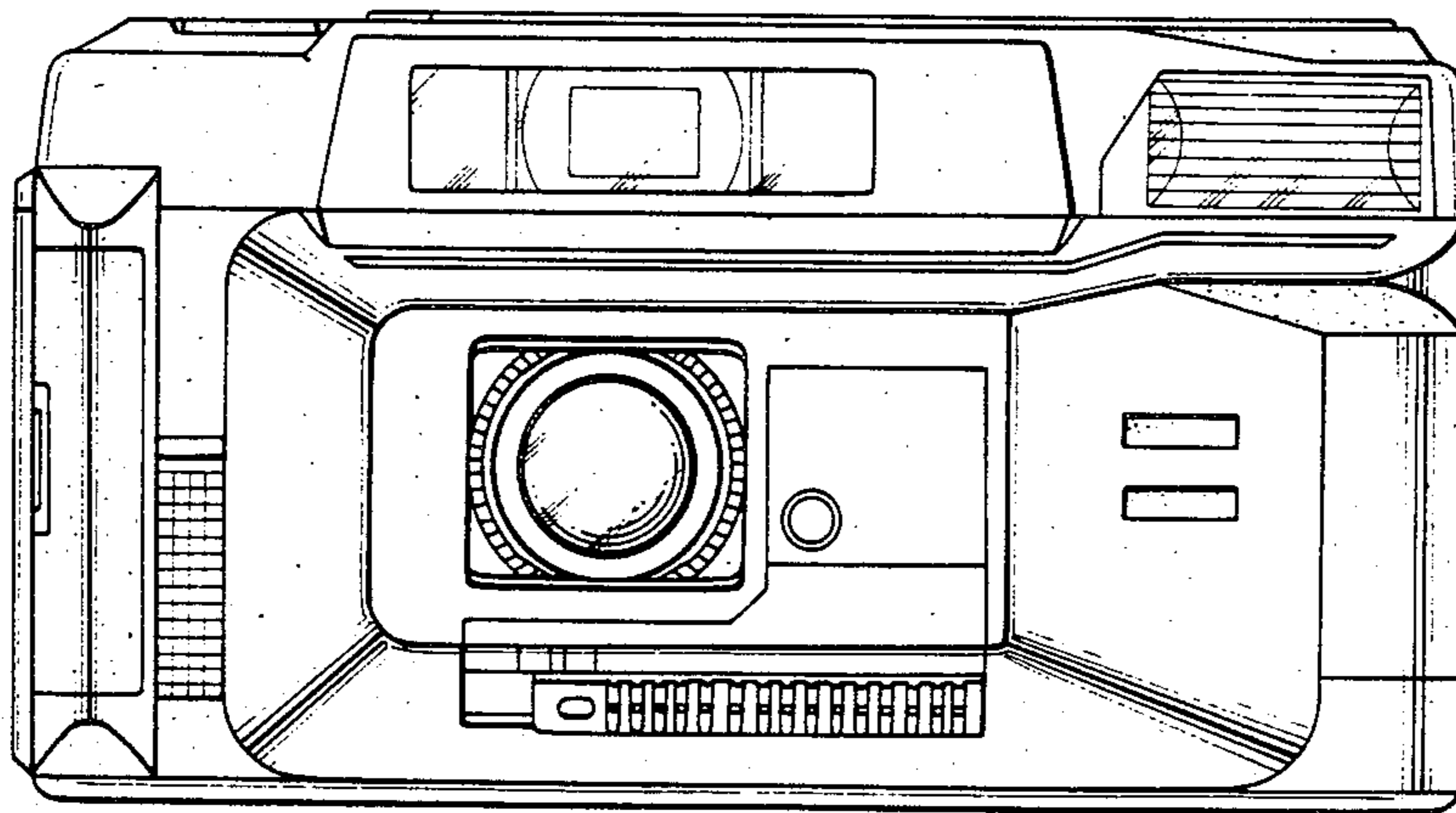


FIG. 3

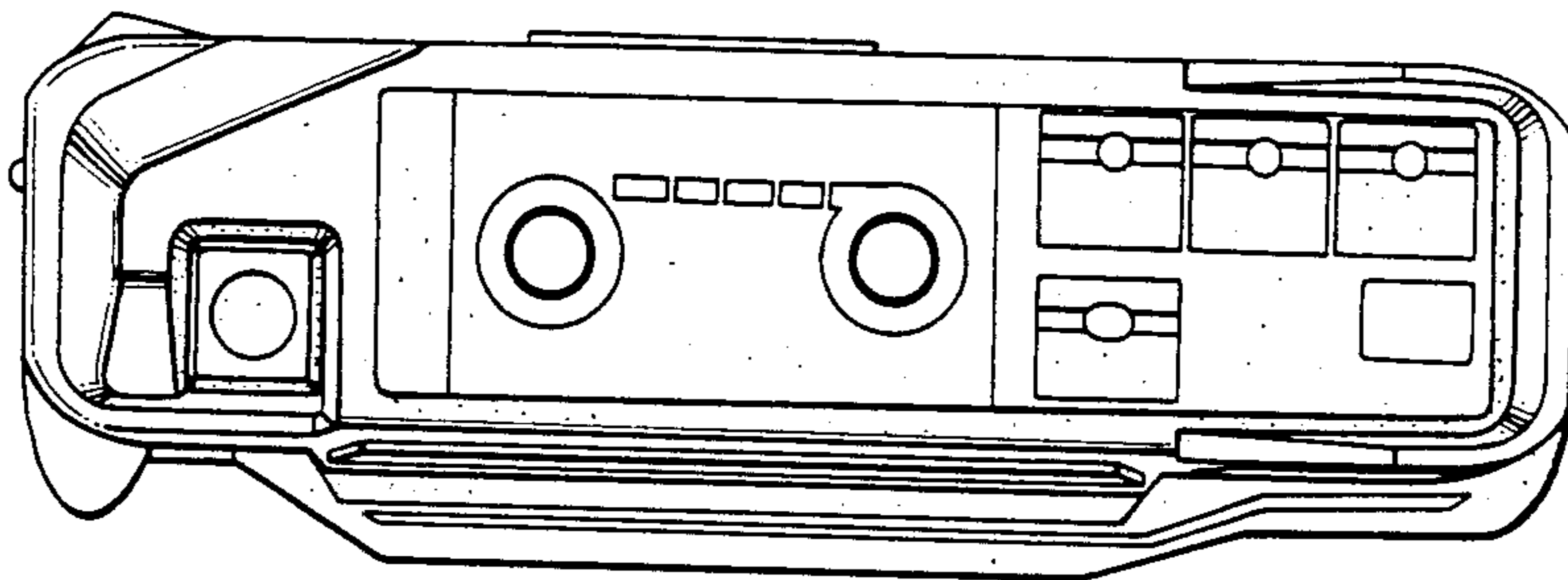


FIG. 4

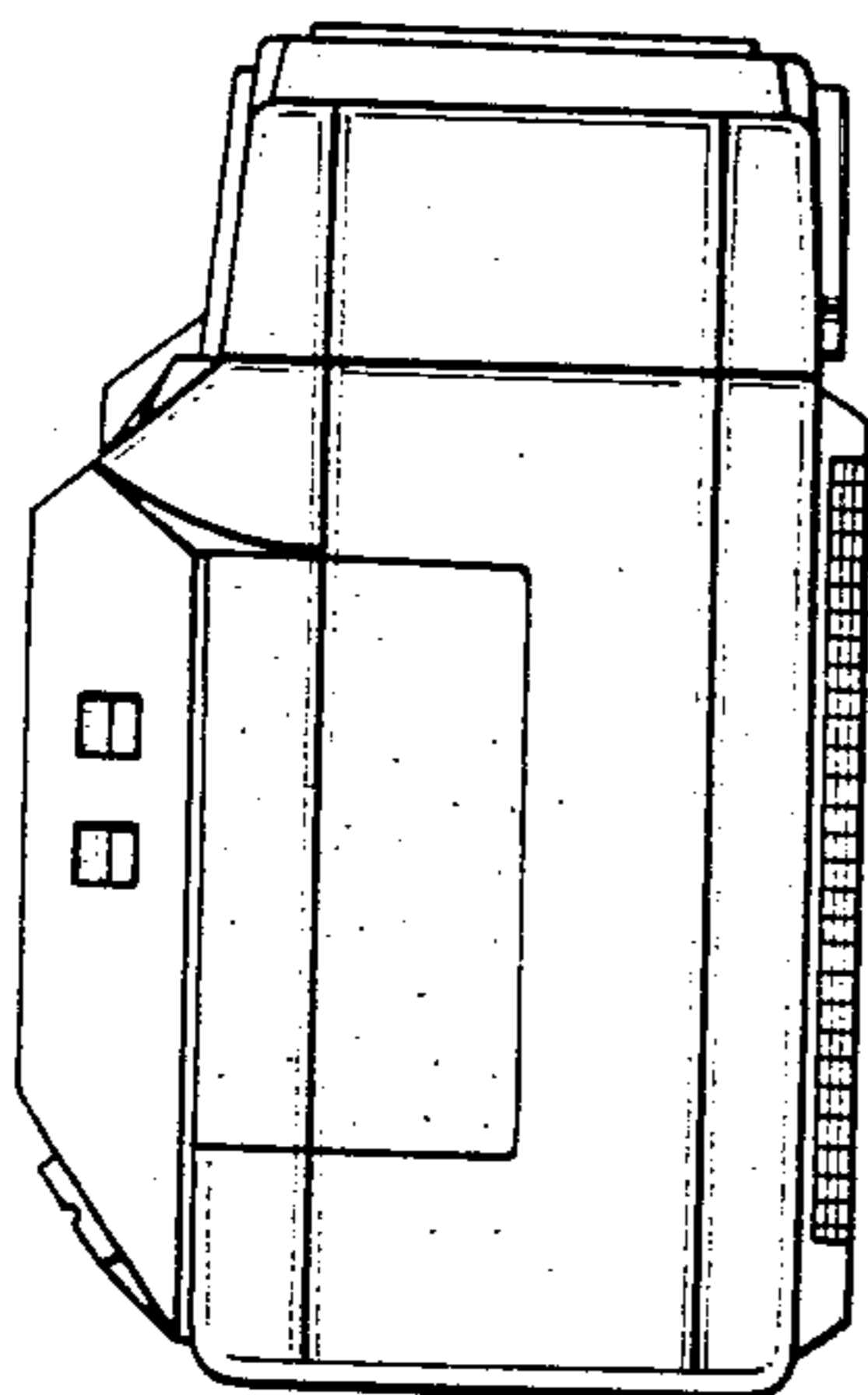


FIG. 5

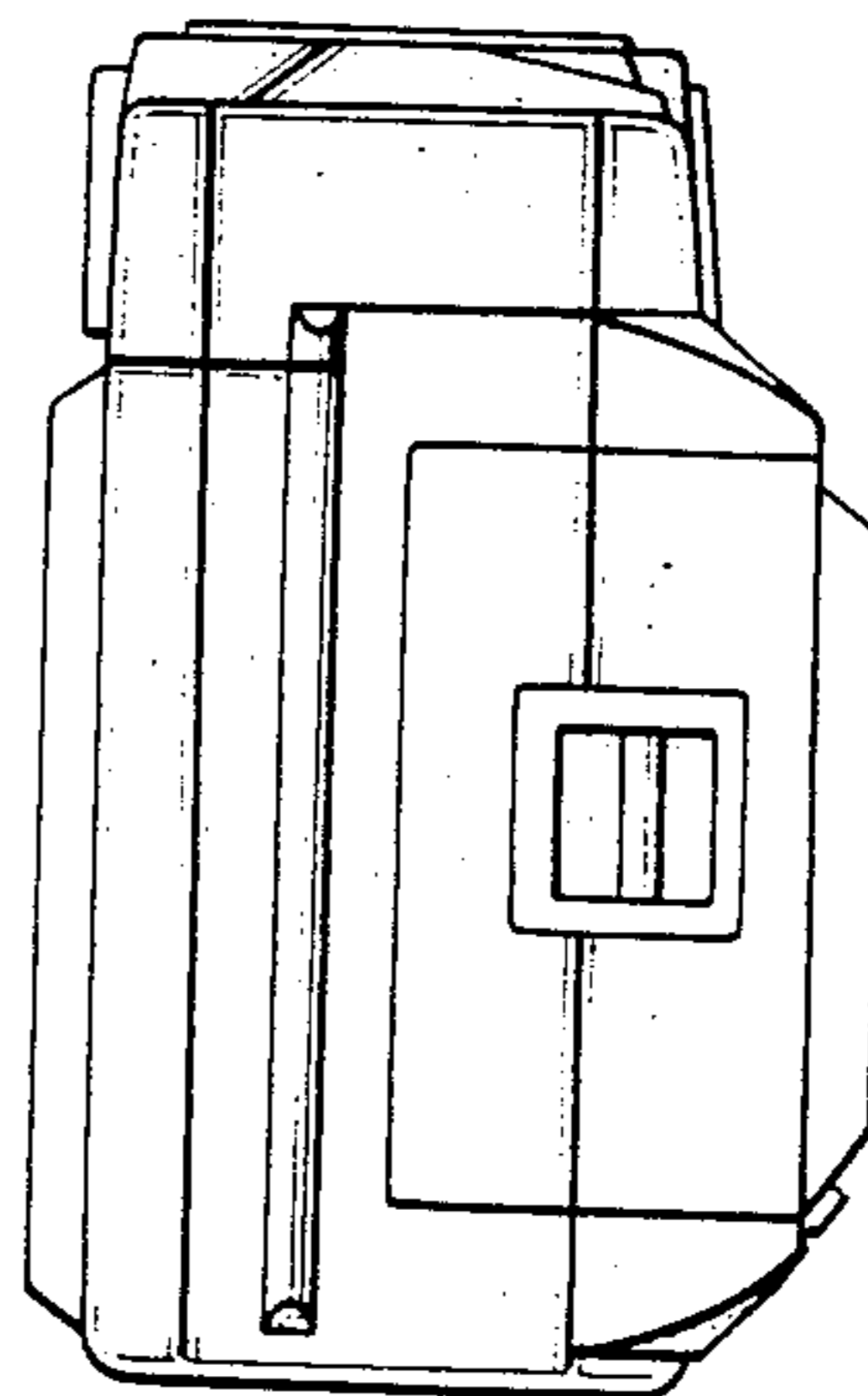


FIG. 6

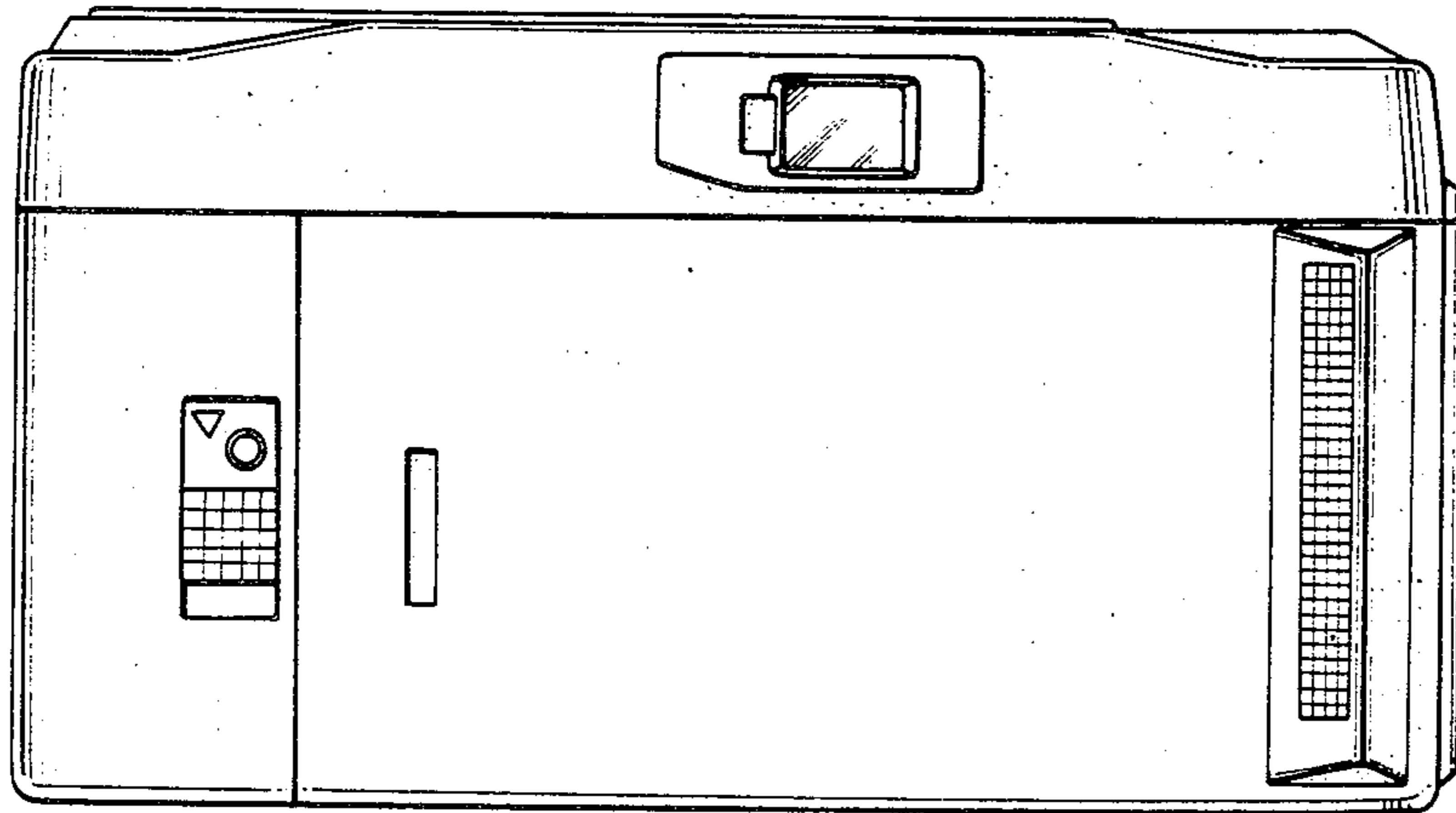


FIG. 7

