

United States Patent [19]

Gotou et al.

[11] Patent Number: Des. 293,324

[45] Date of Patent: ** Dec. 22, 1987

[54] **INDUSTRIAL ROBOT**

[75] Inventors: Atsuyuki Gotou, Mitaka; Masato Shibayama, Sayama; Takeshi Abe, Tokyo; Ryouichi Hisatomi; Takeshi Sasaki, both of Tochigi, all of Japan

[73] Assignee: Hitachi, Ltd., Tokyo, Japan

[**] Term: 14 Years

[21] Appl. No.: 770,242

[22] Filed: Aug. 28, 1985

[30] Foreign Application Priority Data

Jul. 17, 1985 [JP] Japan 60-30202
[52] U.S. Cl. D15/199; D15/122
[58] Field of Search D15/122, 199; 414/729, 414/730, 732, 737, 738, 739, 740, 741, 744 R, 744 A, 744 B, 744 C; 901/14-16

[56] References Cited

U.S. PATENT DOCUMENTS

D. 268,033 2/1983 Stackhouse D15/122
D. 273,870 5/1984 Kono et al. D15/199

D. 274,182 6/1984 Kato D15/199
3,543,947 12/1970 Devol 414/744 A
3,883,009 5/1975 Swoboda, Jr. et al. 414/740
4,518,307 5/1985 Bloch 414/729
4,586,868 5/1986 Nakashima et al. D15/199
4,594,049 6/1986 Terauchi 414/744 R

Primary Examiner—B. J. Bullock

Attorney, Agent, or Firm—Antonelli, Terry & Wands

[57] CLAIM

The ornamental design for an industrial robot, as shown.

DESCRIPTION

FIG. 1 is a front, top and left side perspective view of a industrial robot showing our new design;
FIG. 2 is a front elevational view thereof;
FIG. 3 is a right side elevational view thereof;
FIG. 4 is a rear elevational view thereof;
FIG. 5 is a left side elevational view thereof;
FIG. 6 is a top plan view thereof;
FIG. 7 is a bottom plan view thereof; and
FIG. 8 is a top plan view of the industrial robot with the arm in another position.

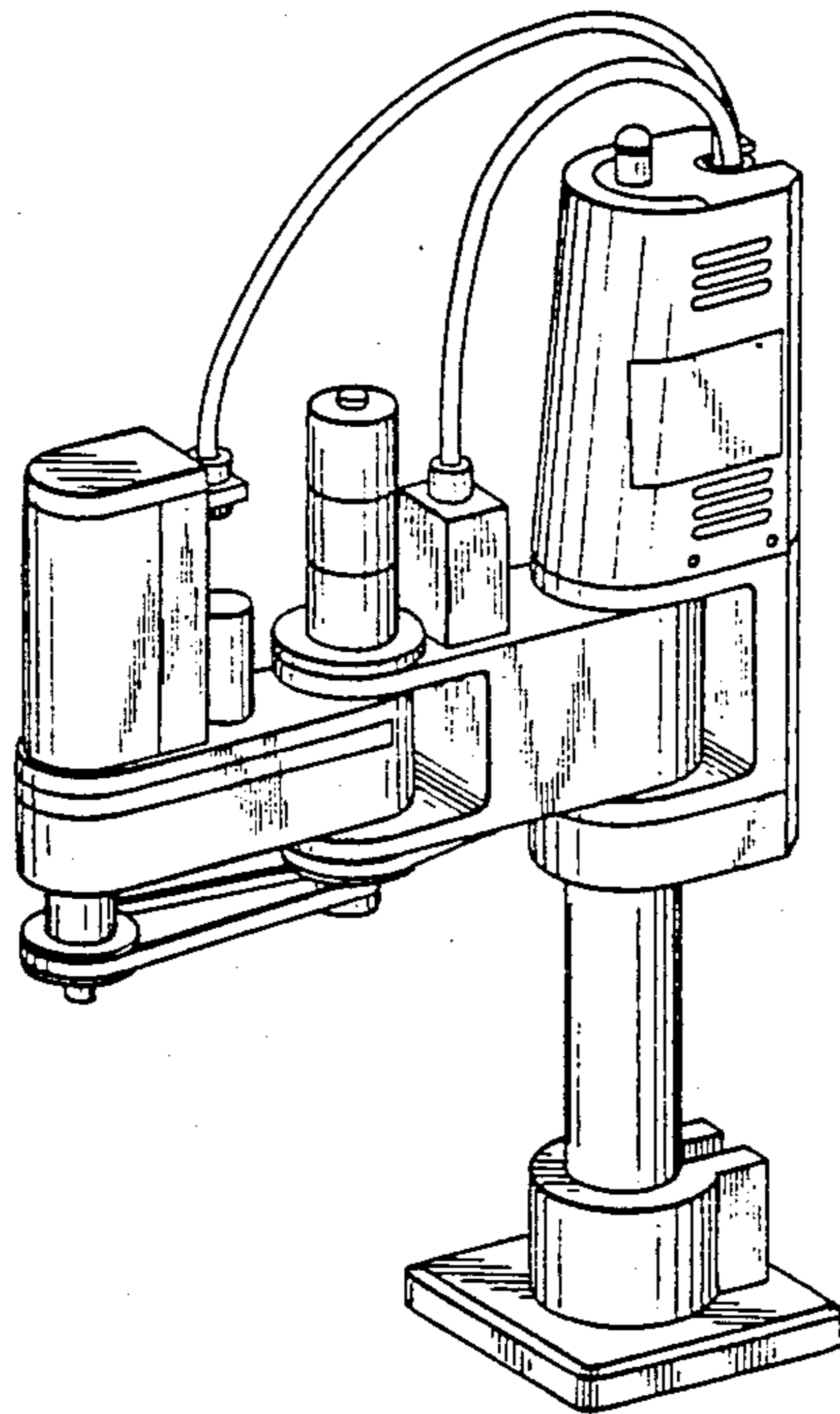


FIG. 2

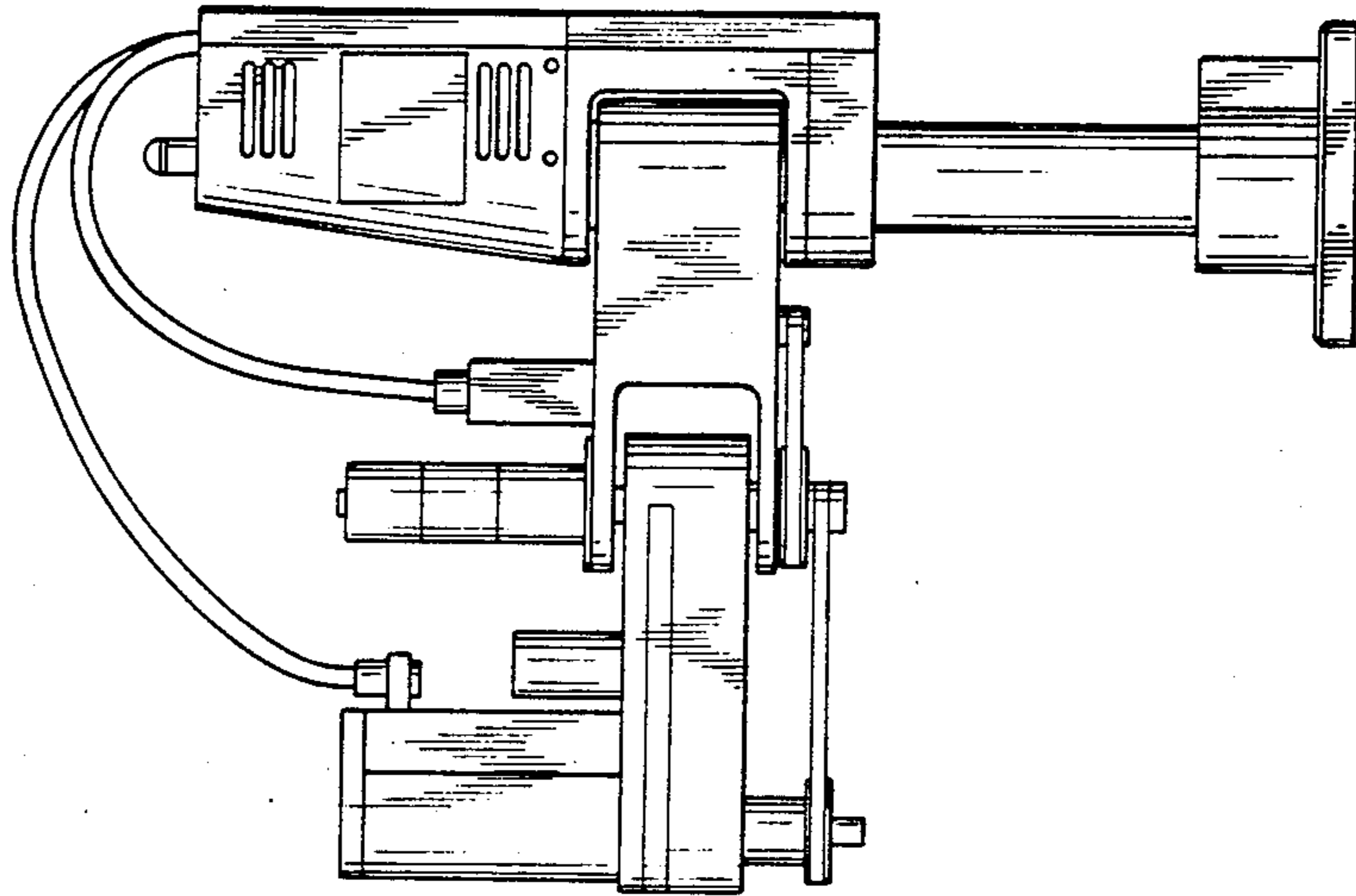


FIG. 1

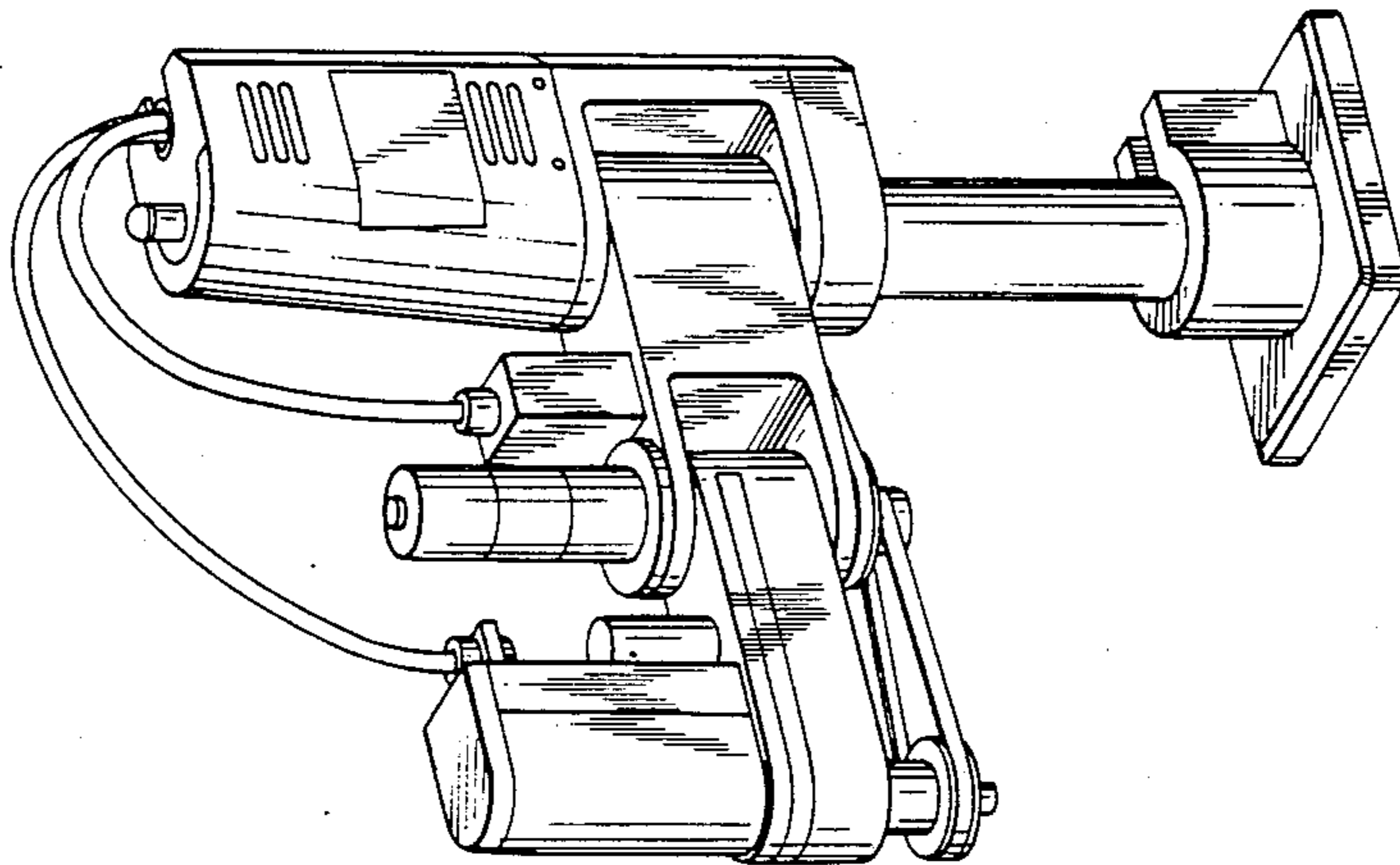


FIG. 5

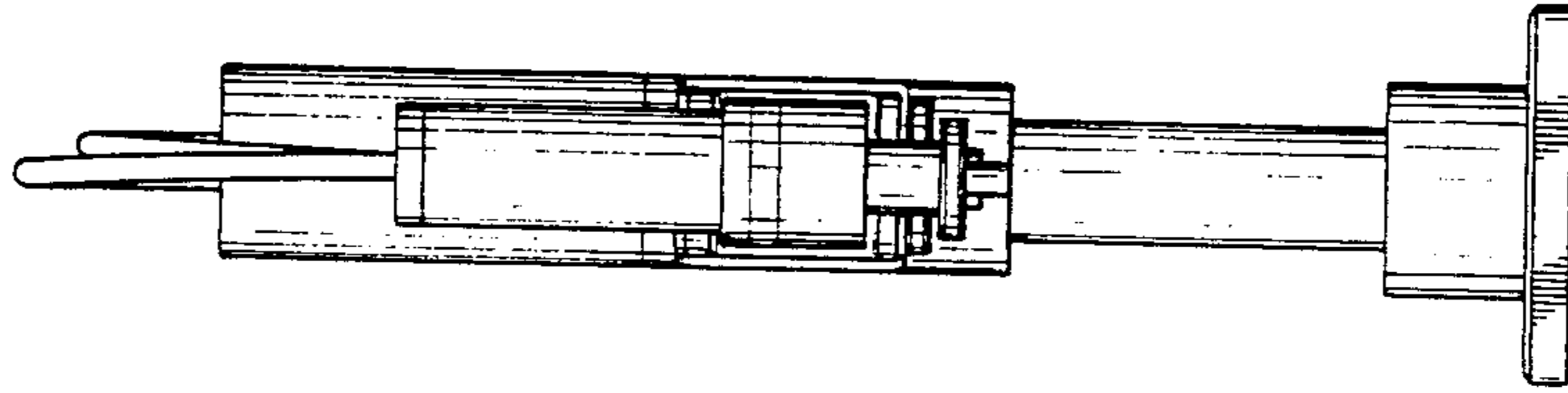


FIG. 4

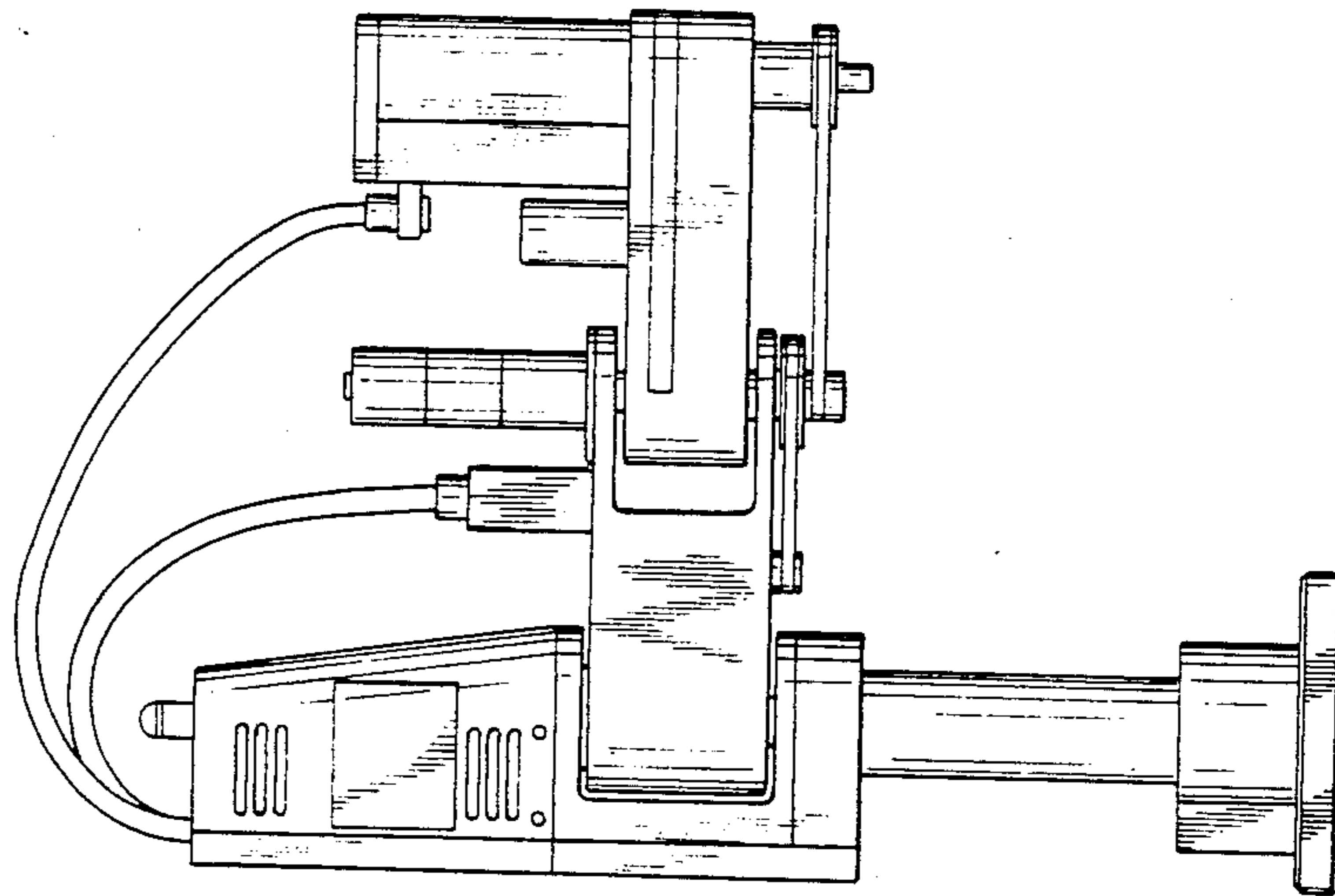


FIG. 3

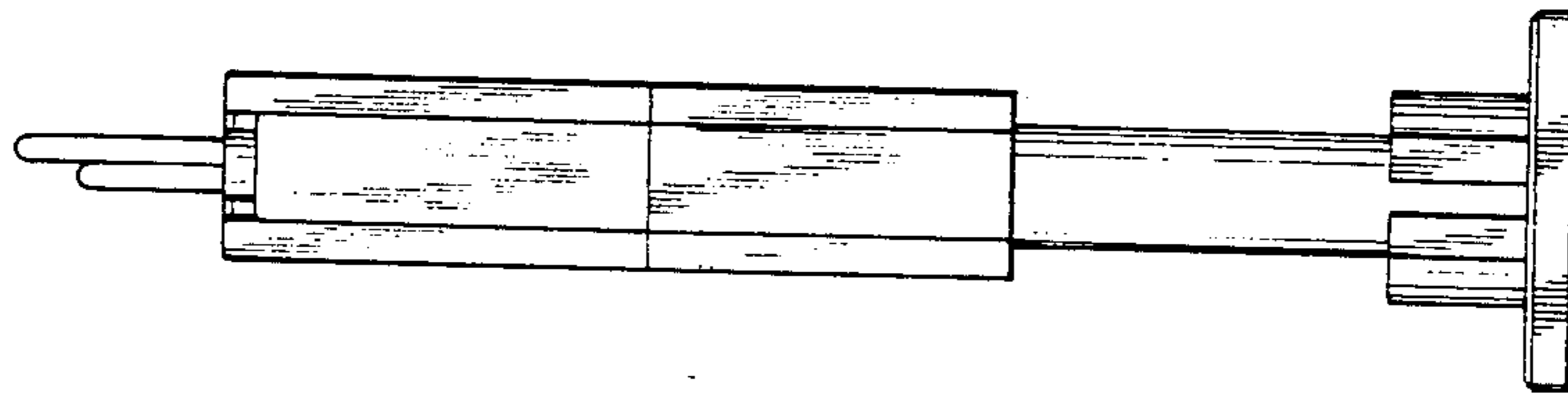


FIG. 6

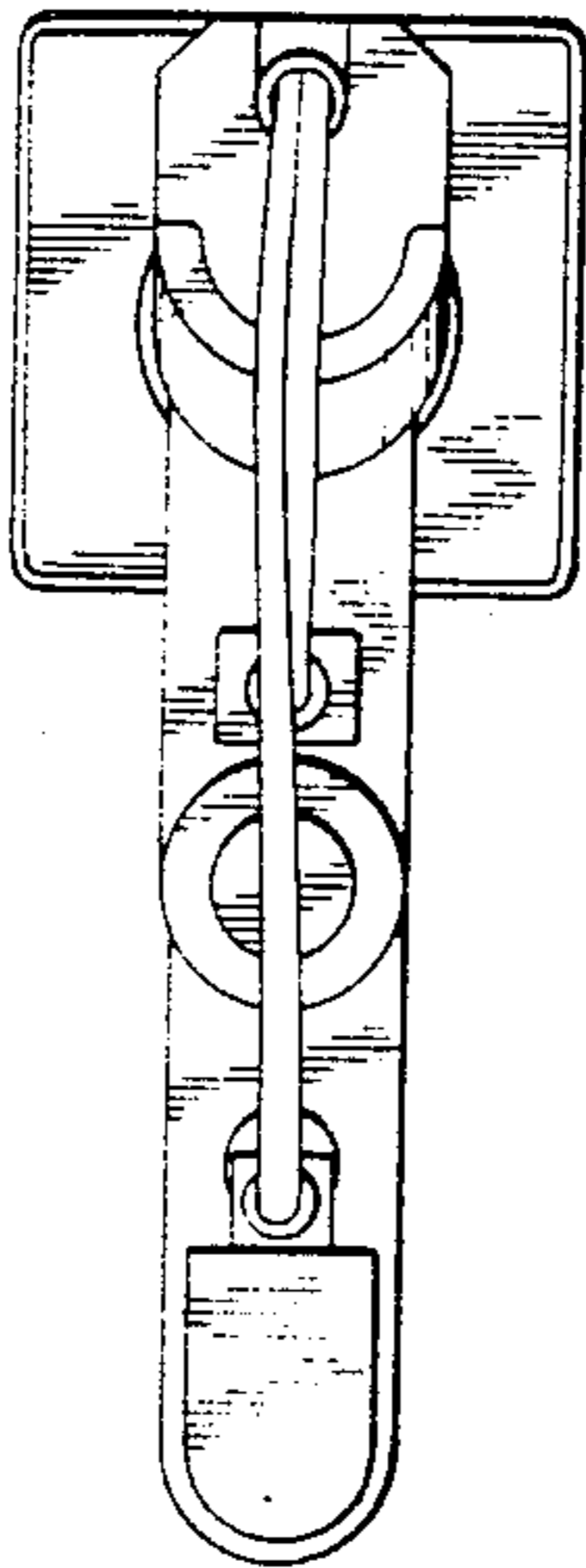


FIG. 7

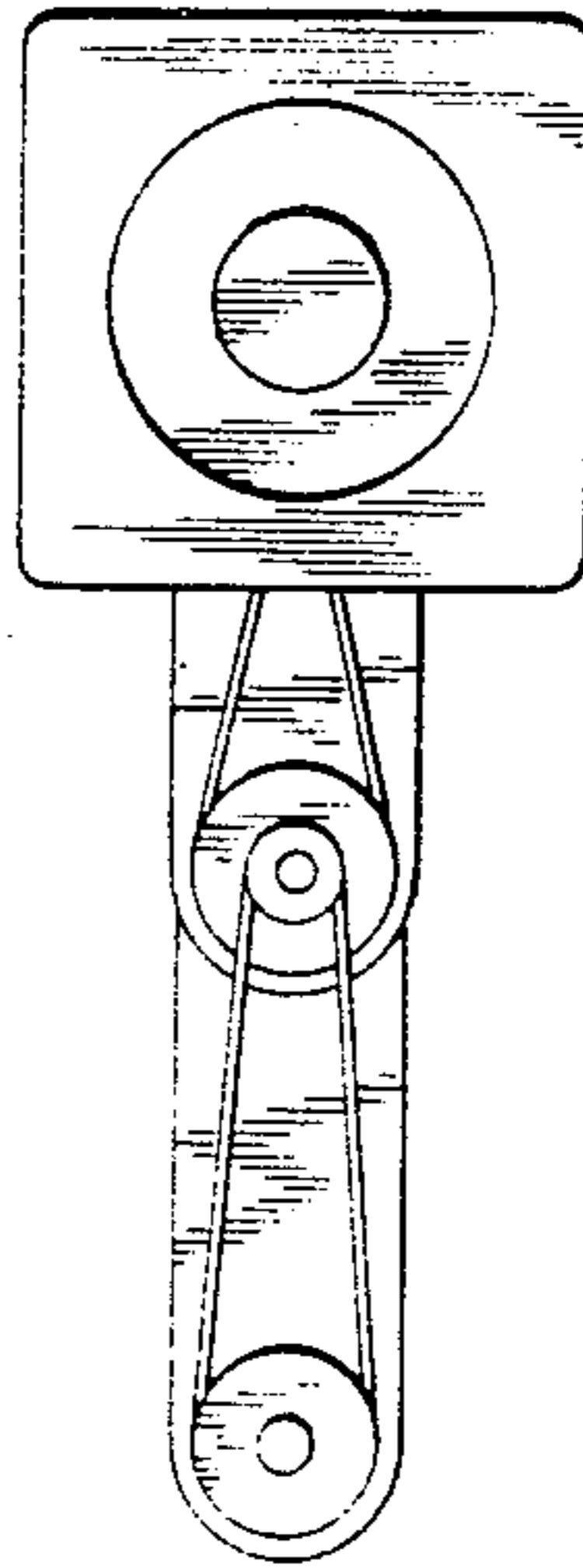


FIG. 8

