

- [54] ELECTRICAL CONNECTOR HOUSING
- [75] Inventors: Joseph G. Justiano, Bethpage;
Wolfgang F. Bienwald, Melville, both
of N.Y.
- [73] Assignee: Leviton Manufacturing Company,
Inc., Little Neck, N.Y.
- [**] Term: 14 Years
- [21] Appl. No.: 667,772
- [22] Filed: Nov. 2, 1984
- [52] U.S. Cl. D13/27
- [58] Field of Search D7/407; D13/13, 24,
D13/27, 40, 99; 174/50, 52, 59-60, 65 R, 99 R,
126 R; 338/230, 232, 236, 243, 252, 271-273,
275; 339/137-138, 142, 176 R, 47 R, 75 R, 75
M, 75 MP, 91 R; 219/217 S, 258 R, 258 S, 276
R, 455, 450, 467, 451, 507

3,327,966	6/1967	Jasionowski	219/455
3,441,661	4/1969	Brummans	339/217 S
3,813,636	5/1974	Mason	339/75 R
3,932,013	1/1976	Yeager et al.	339/217 S

Primary Examiner—Wallace R. Burke
Assistant Examiner—Ruth Takemoto
Attorney, Agent, or Firm—Paul J. Sutton

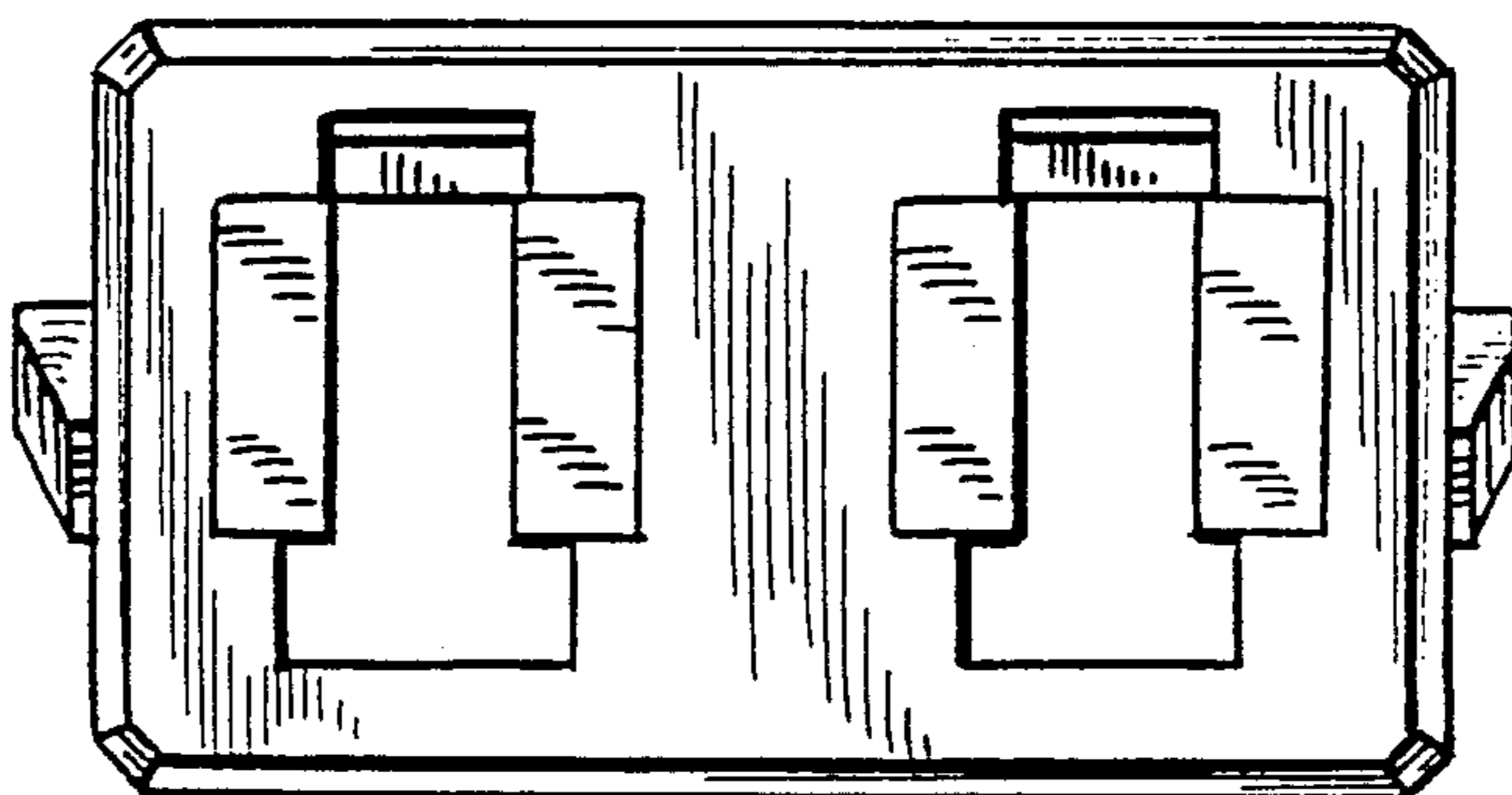
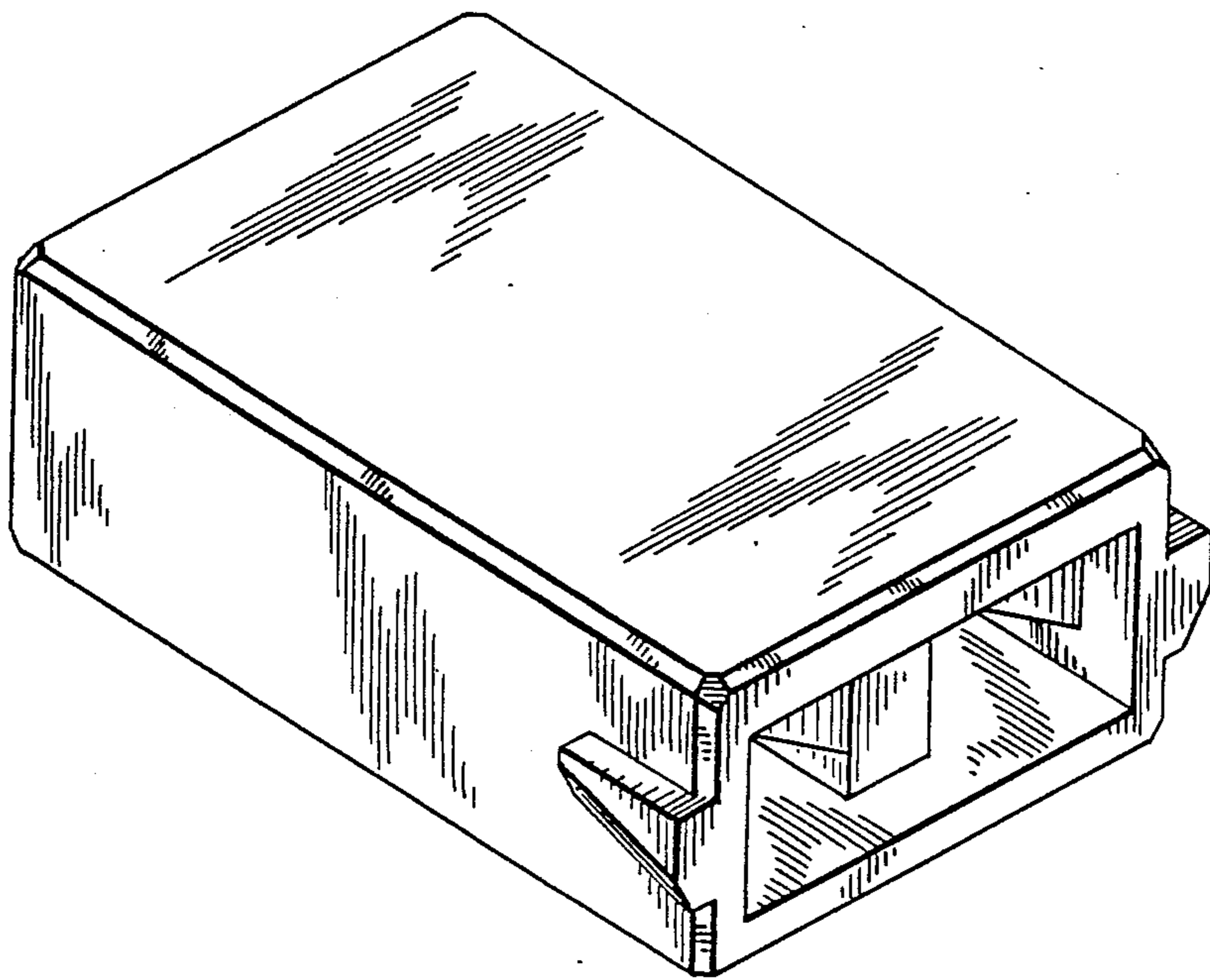
[57] CLAIM

The ornamental design for an electrical connector housing, as shown and described.

DESCRIPTION

FIG. 1 is a top, front and right side perspective view of an electrical connector housing showing our new design;
 FIG. 2 is a top plan view thereof;
 FIG. 3 is a left side elevational view thereof;
 FIG. 4 is a bottom plan view thereof;
 FIG. 5 is a rear elevational view thereof;
 FIG. 6 is a sectional view thereof, taken along line 6—6 in FIG. 2; and
 FIG. 7 is a sectional view taken along line 7—7 in FIG. 2.

- [56] **References Cited**
- U.S. PATENT DOCUMENTS**
- D. 196,111 8/1963 Krehbiel D13/24
- 3,171,949 3/1965 McOrilly 219/450



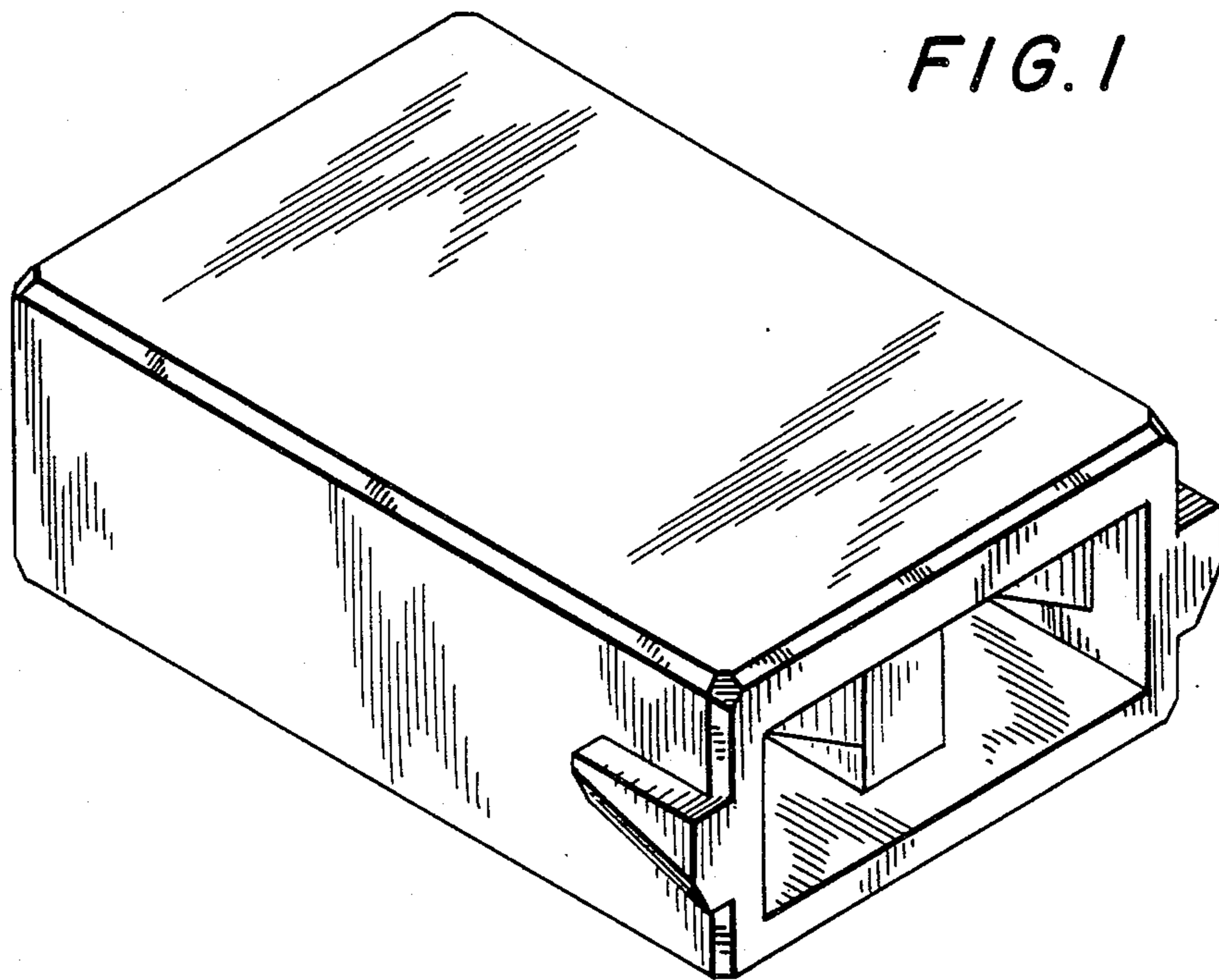


FIG. 2

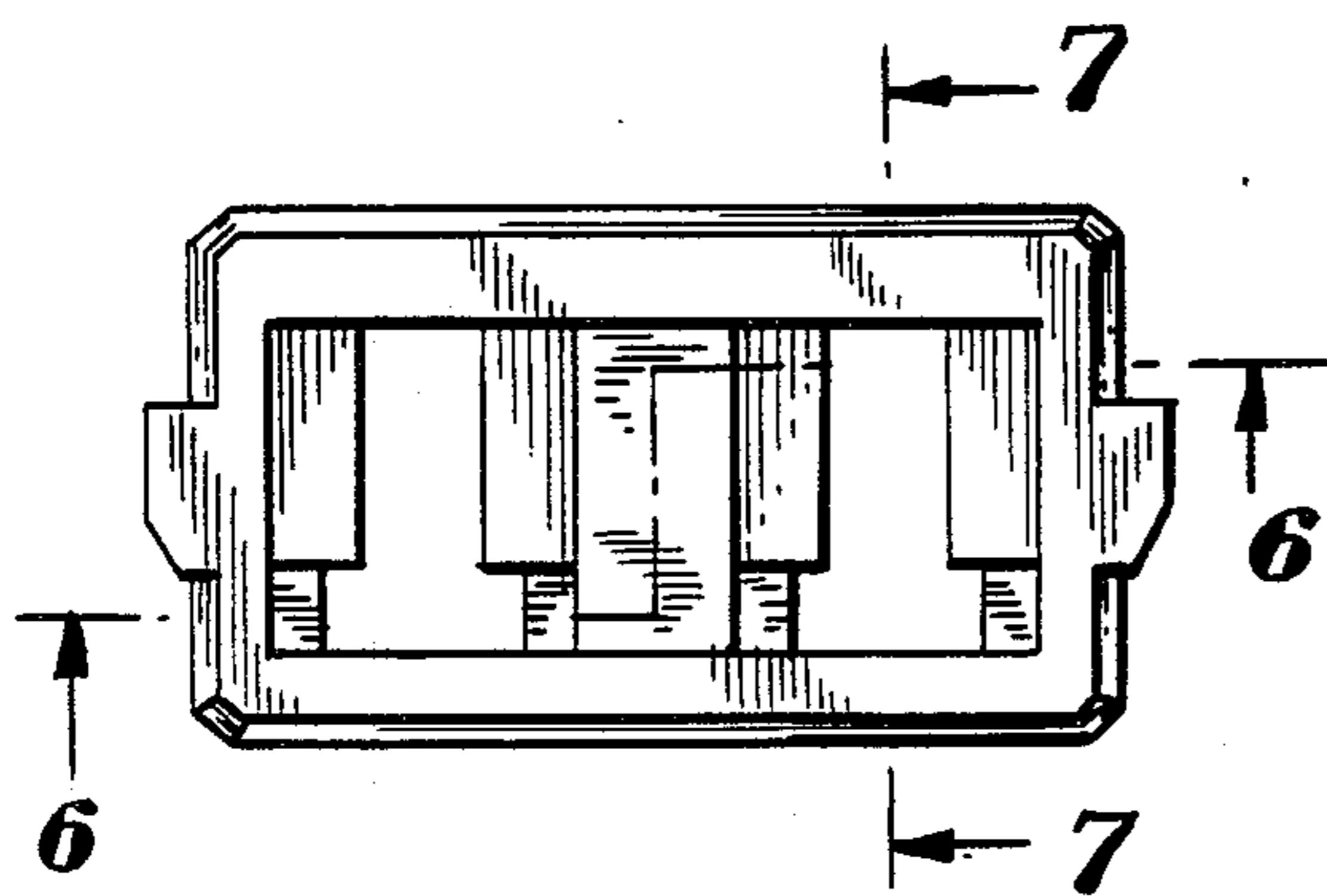
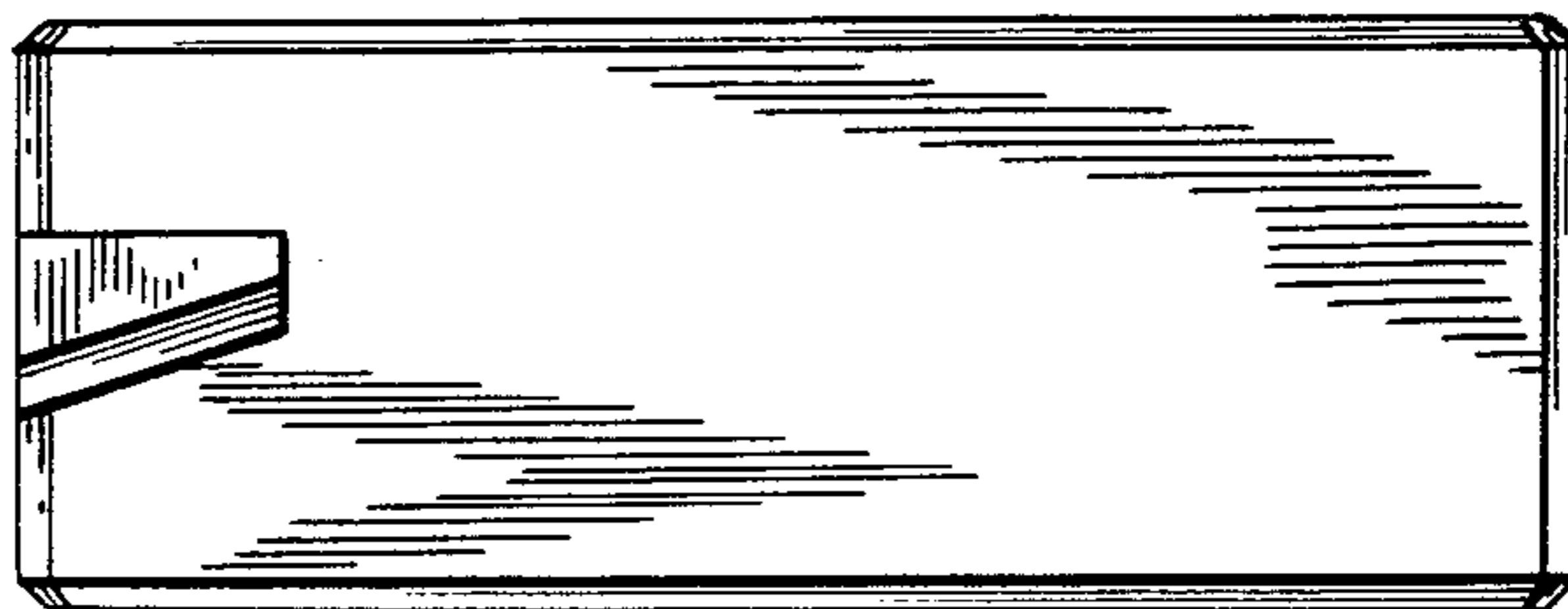


FIG. 3



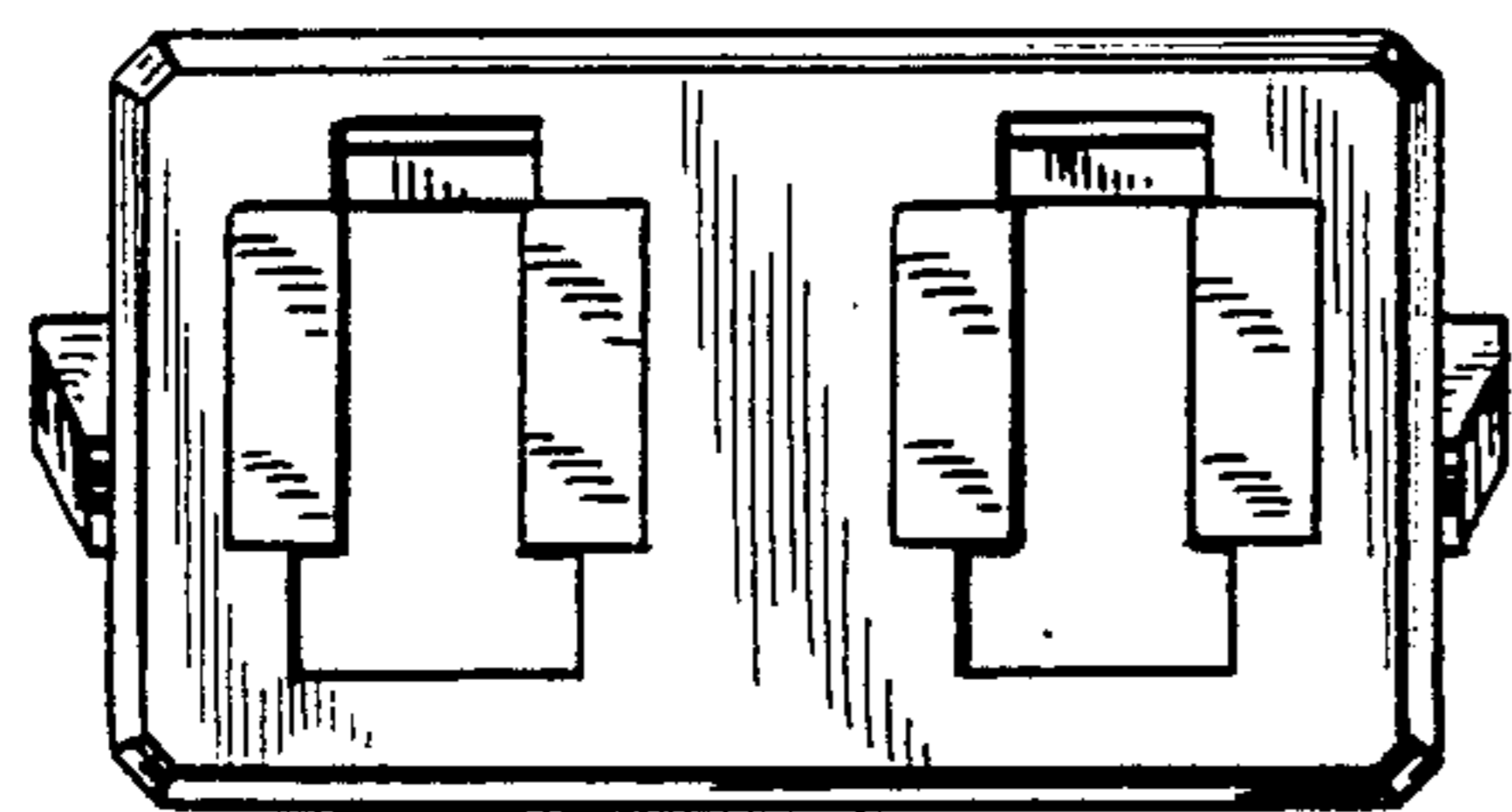


FIG. 4

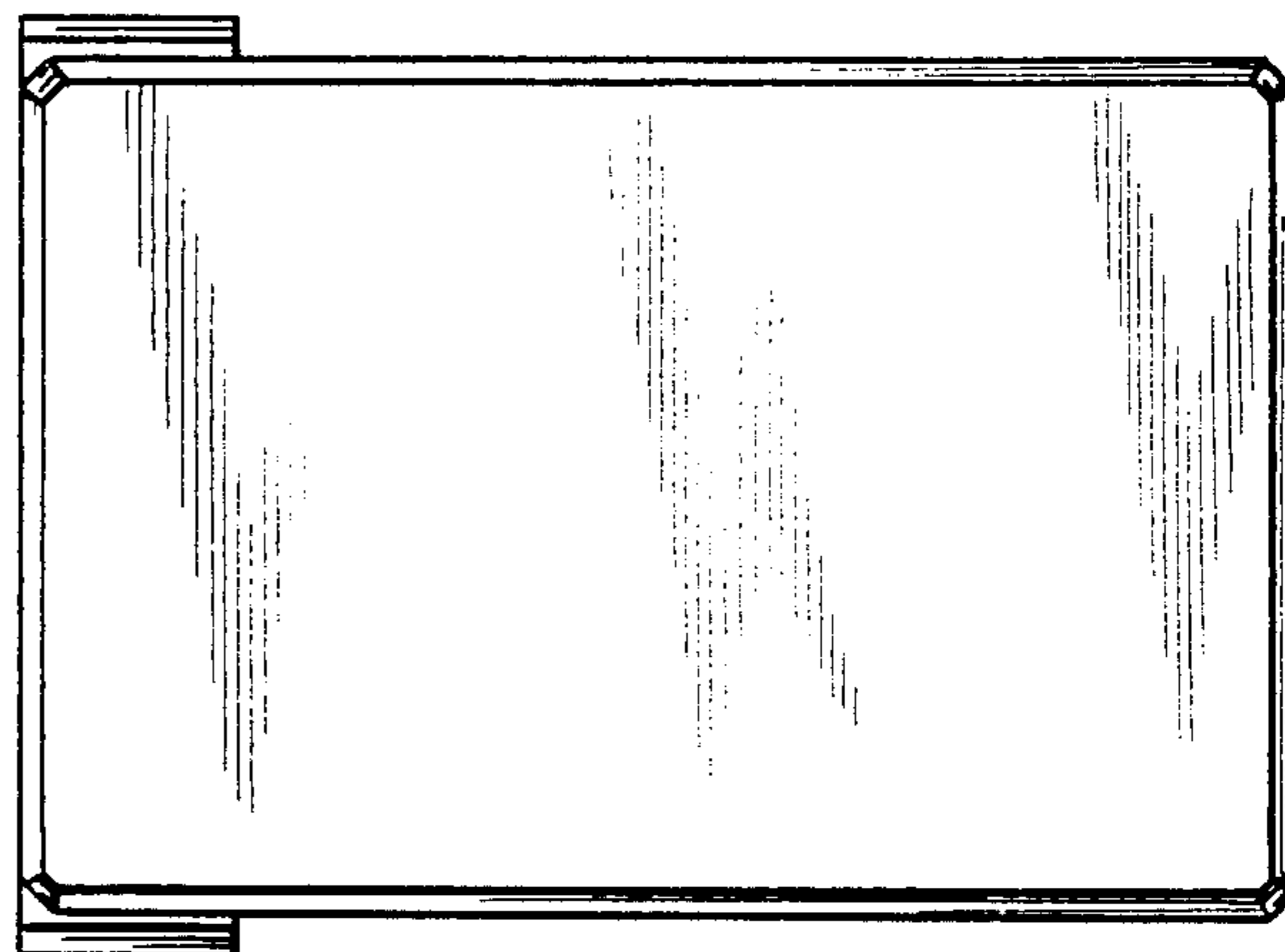


FIG. 5

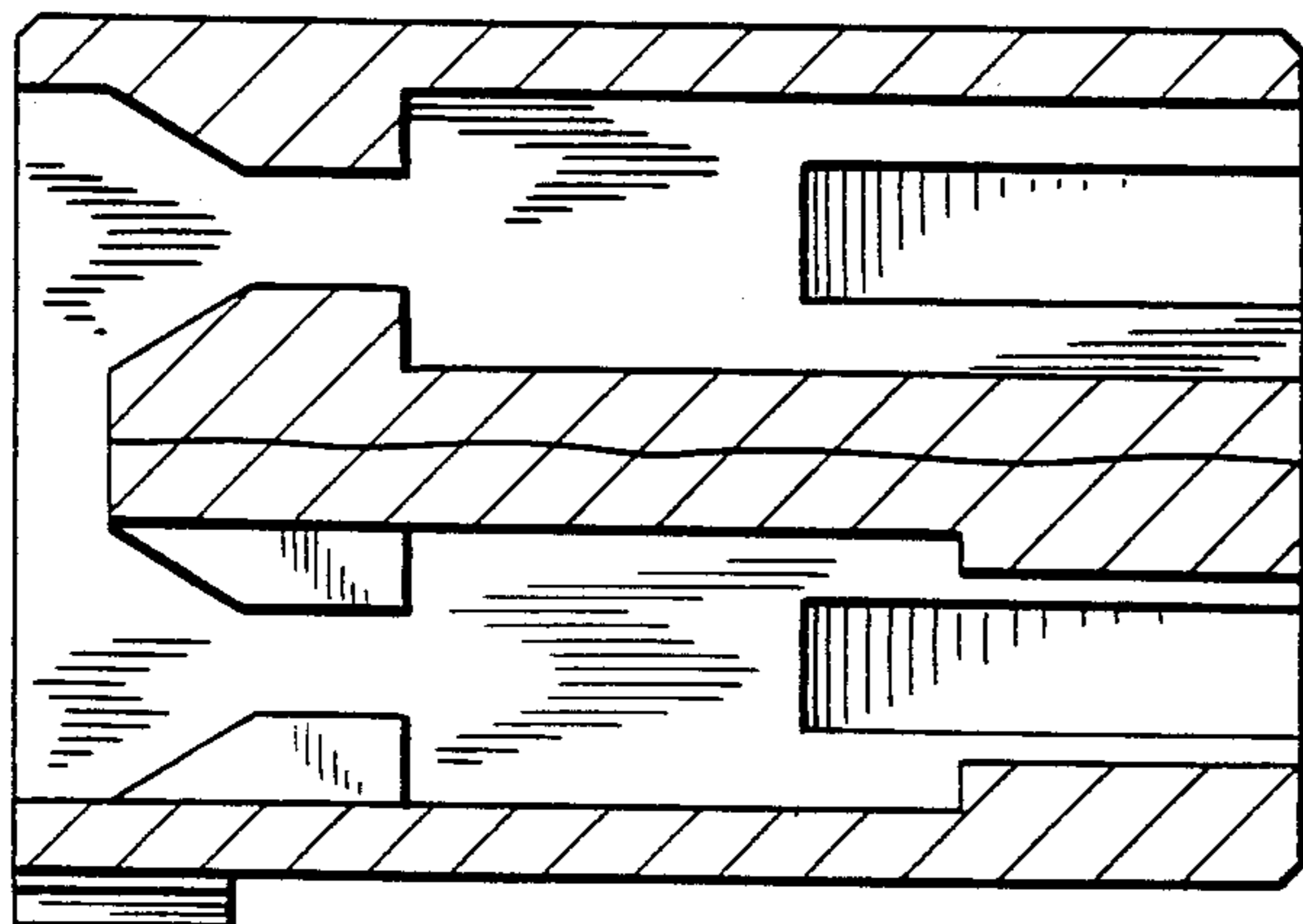


FIG. 6

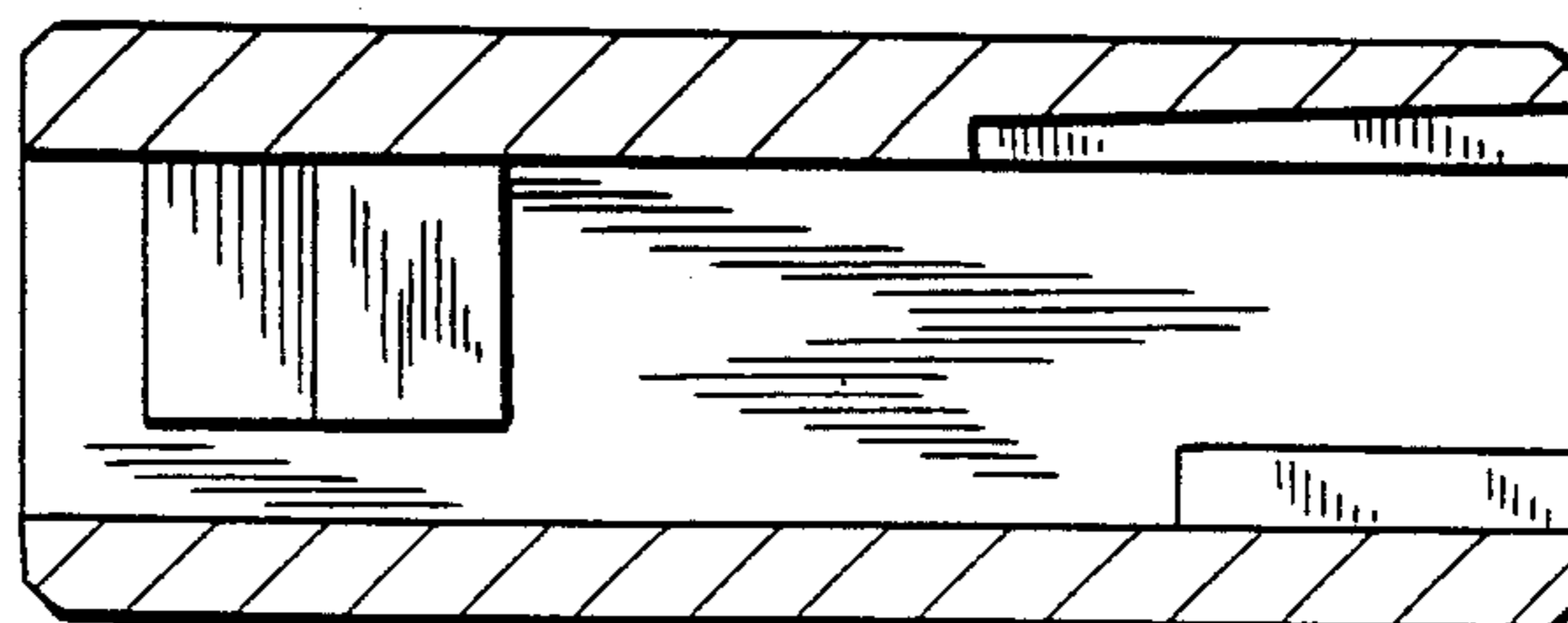


FIG. 7