

[54] HANGER FOR A CYLINDRICAL CONTAINER

[76] Inventor: Nimrod P. Wood, 11102 NE. Beech, Portland, Oreg. 97220

[**] Term: 14 Years

[21] Appl. No.: 766,560

[22] Filed: Aug. 19, 1985

[52] U.S. Cl. D8/373; D8/371

[58] Field of Search D8/373, 371; 248/359, 248/311.2, 349, 360; D6/546; D19/65; 211/113

[56] References Cited

U.S. PATENT DOCUMENTS

D. 117,849	11/1939	Harvey	D8/373
D. 158,377	5/1950	Haglund	D8/373
D. 196,291	9/1963	McCarthy	D8/373
D. 198,972	8/1964	Erickson	D8/373
D. 206,785	1/1967	McCormick	D19/65
D. 220,830	6/1971	Harrison	D8/371
D. 236,051	7/1975	Opincar	D6/556

D. 266,382	10/1982	Hutchinson	D6/556
D. 282,704	2/1986	Burnett	D6/546
4,085,867	4/1978	Heller	248/215
4,399,918	8/1983	Clements	211/113

Primary Examiner—Wallace R. Burke
Assistant Examiner—Horace B. Fay, Jr.
Attorney, Agent, or Firm—Chernoff, Vilhauer, McClung & Stenzel

[57] CLAIM

The ornamental design for hanger for a cylindrical container, as shown and described.

DESCRIPTION

FIG. 1 is a perspective view of a hanger for a cylindrical container showing my new design;
FIG. 2 is a plan view thereof, the bottom view being a mirror image thereof;
FIG. 3 is a front elevational view thereof;
FIG. 4 is a first side elevational view thereof;
FIG. 5 is the opposite side elevational view thereof; and
FIG. 6 is the rear elevational view thereof.

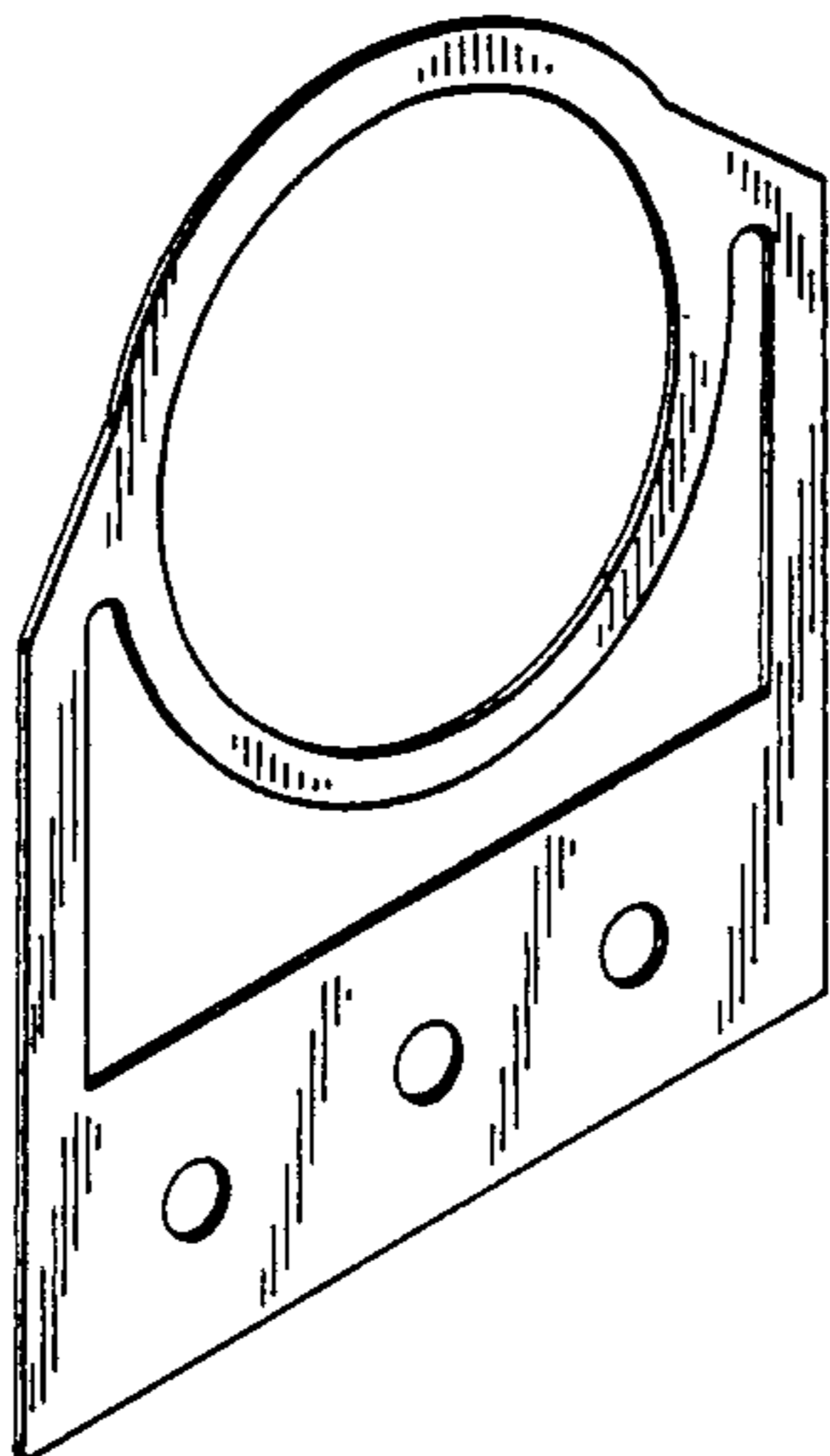


FIG. 1

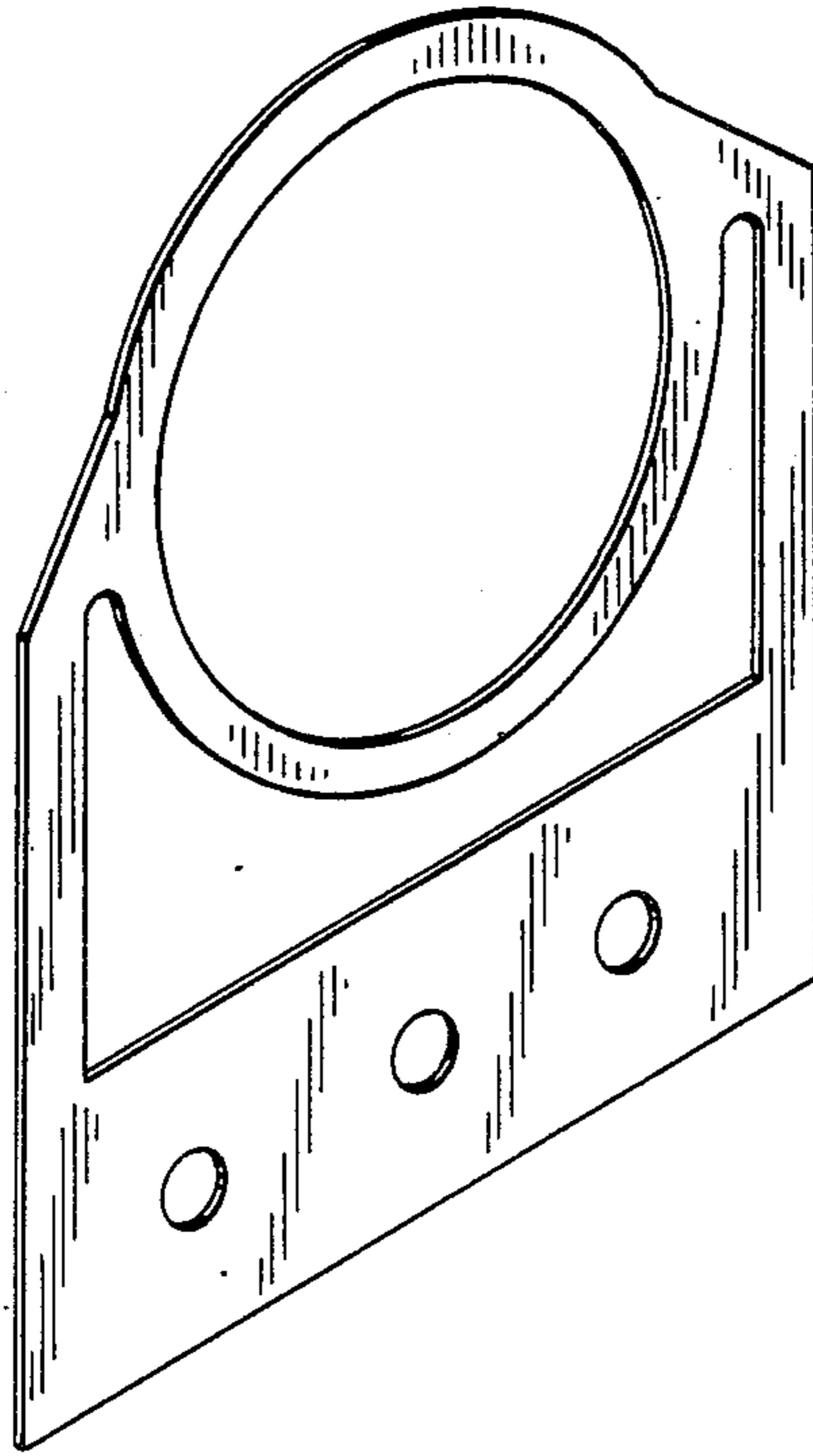


FIG. 3



FIG. 4



FIG. 2

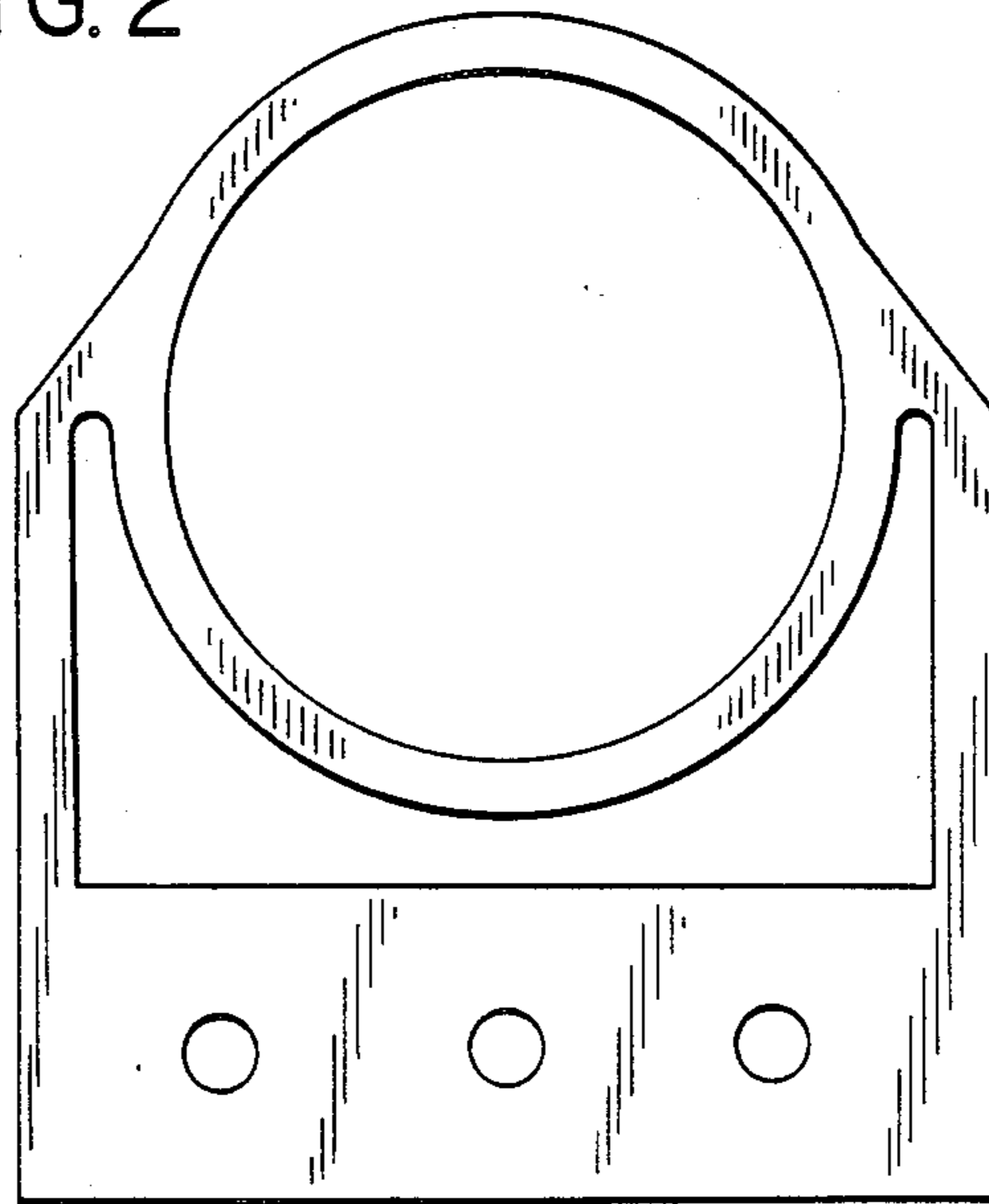


FIG. 5



FIG. 6

