

United States Patent [19]

Isles

[11] Patent Number: Des. 293,293

[45] Date of Patent: ** Dec. 22, 1987

[54] CUP HOLDER

[76] Inventor: Patricia J. Isles, 14a Fieldhouse Road, Balham, London SW12, United Kingdom

[**] Term: 14 Years

[21] Appl. No.: 689,857

[22] Filed: Jan. 9, 1985

[30] Foreign Application Priority Data

Jul. 17, 1984 [GB] United Kingdom 1020969

[52] U.S. Cl. D7/70

[58] Field of Search D7/70, 71, 9; 220/85 H; 229/1.5 H; 248/145.3; 206/509, 520

[56] References Cited

U.S. PATENT DOCUMENTS

D. 217,011 3/1970 Hardie D7/70

D. 220,966 6/1971 Bateman D7/9
D. 230,457 2/1974 Bateman D7/9
3,443,714 5/1969 Edwards 206/520 X

Primary Examiner—Bernard Ansher
Assistant Examiner—Terry Pfeffer
Attorney, Agent, or Firm—Curtis, Morris & Safford

[57] CLAIM

The ornamental design for a cup holder, as shown and described.

DESCRIPTION

FIG. 1 is a left side elevational view of a cup holder showing my new design;
FIG. 2 is a top plan view thereof;
FIG. 3 is a bottom plan view thereof;
FIG. 4 is a cross-section taken along line 4—4 of FIG. 2;
FIG. 5 is a rear elevational view thereof; and,
FIG. 6 is a front elevational view thereof.

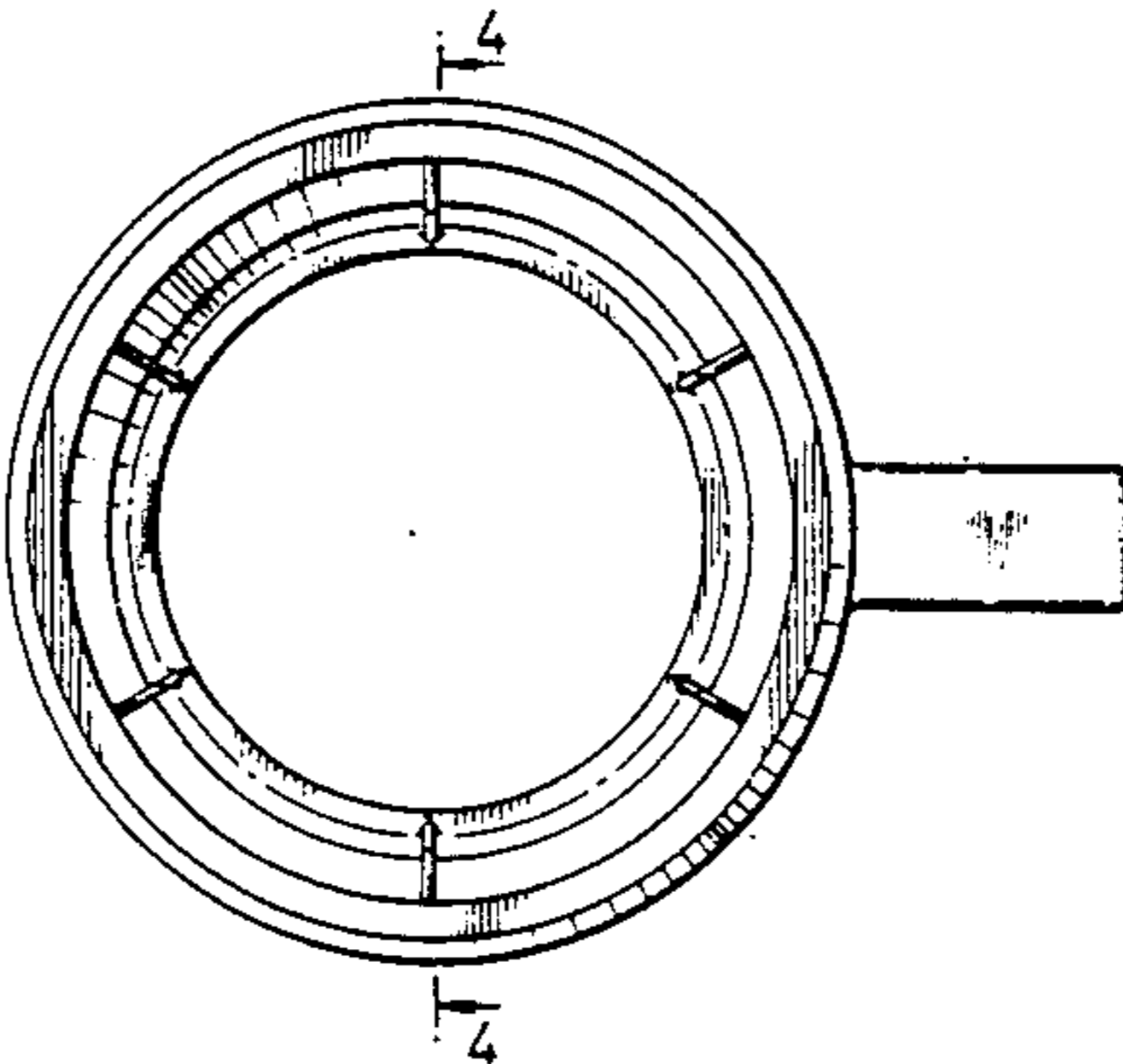
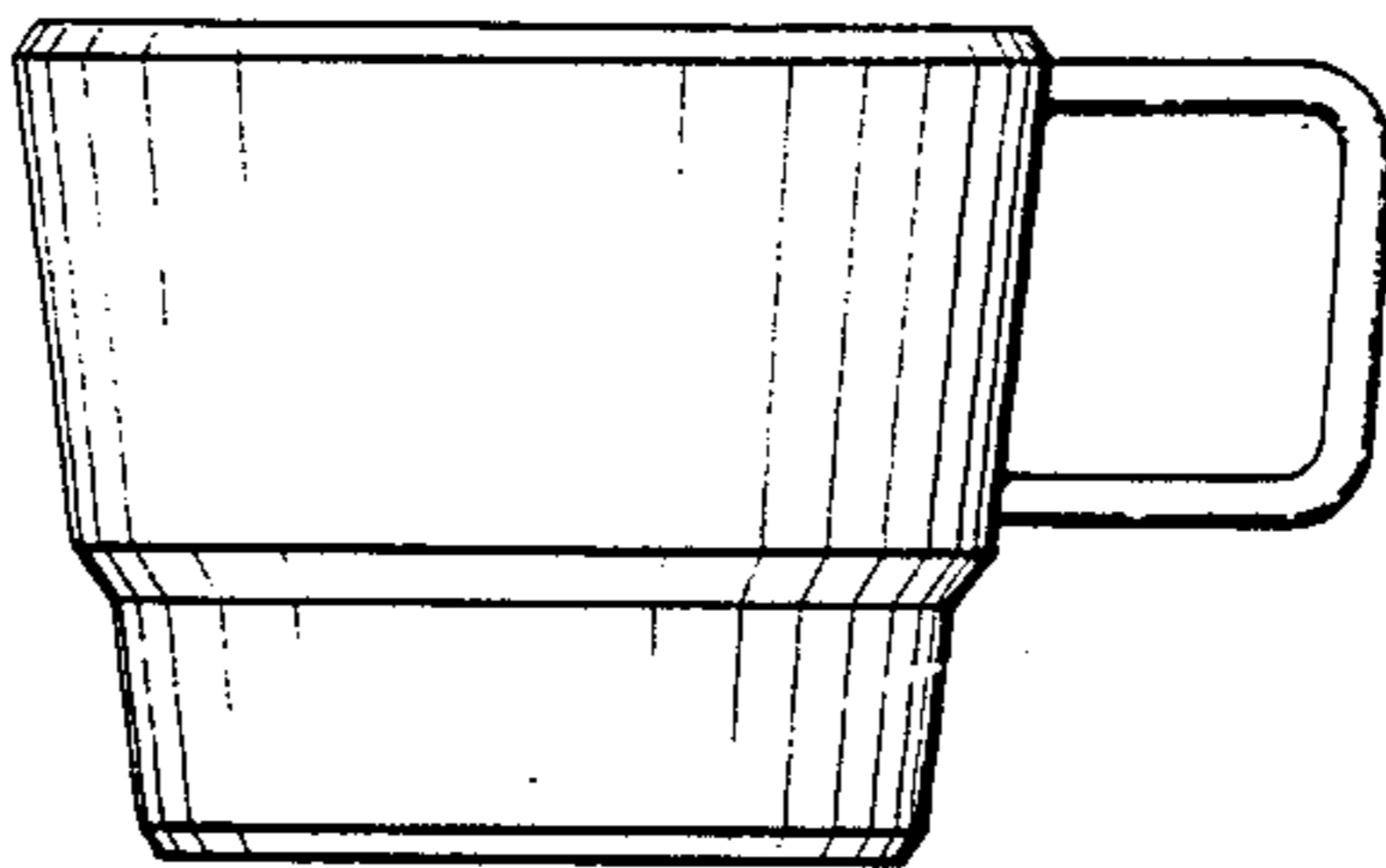


FIG. 1

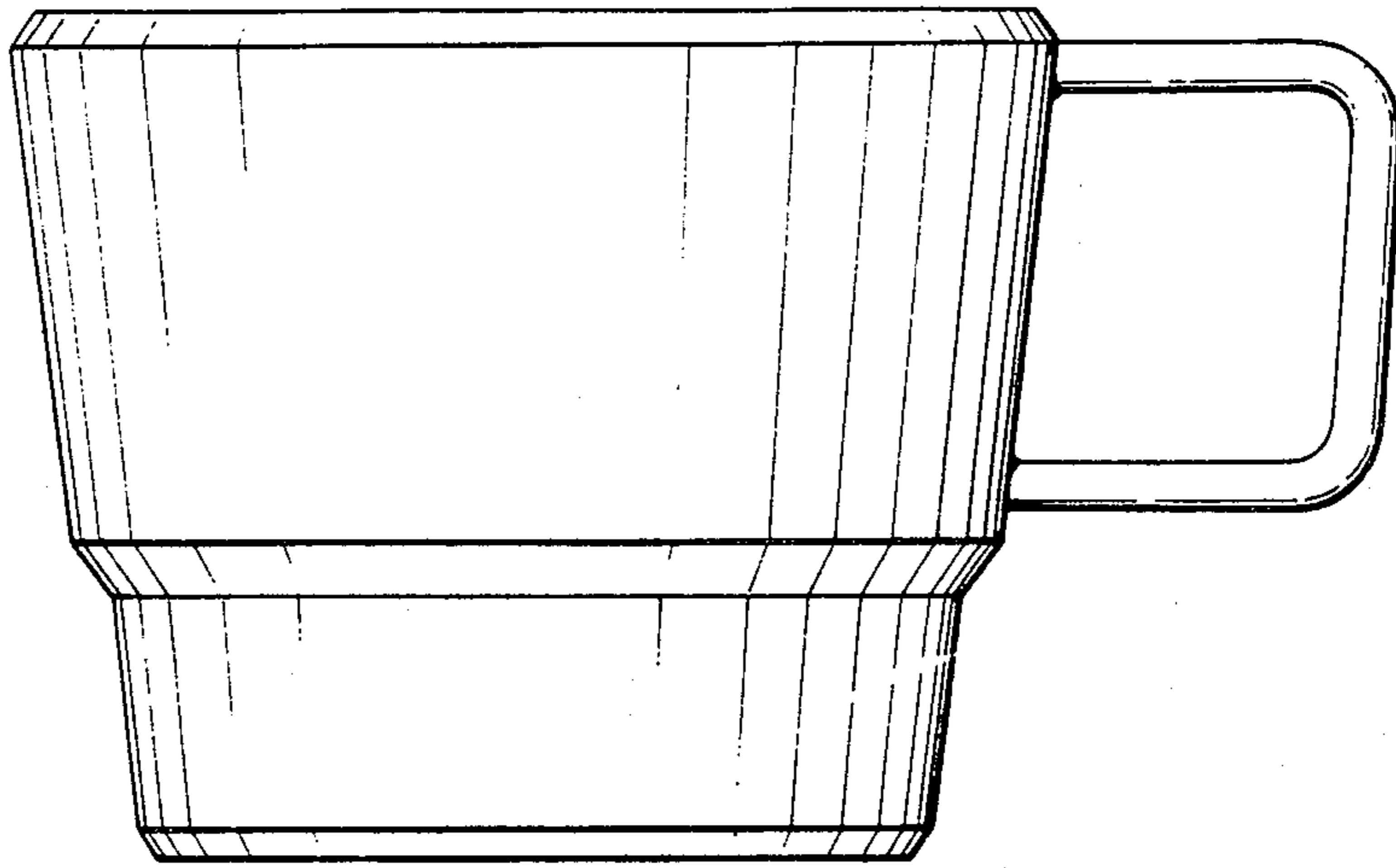


FIG. 2

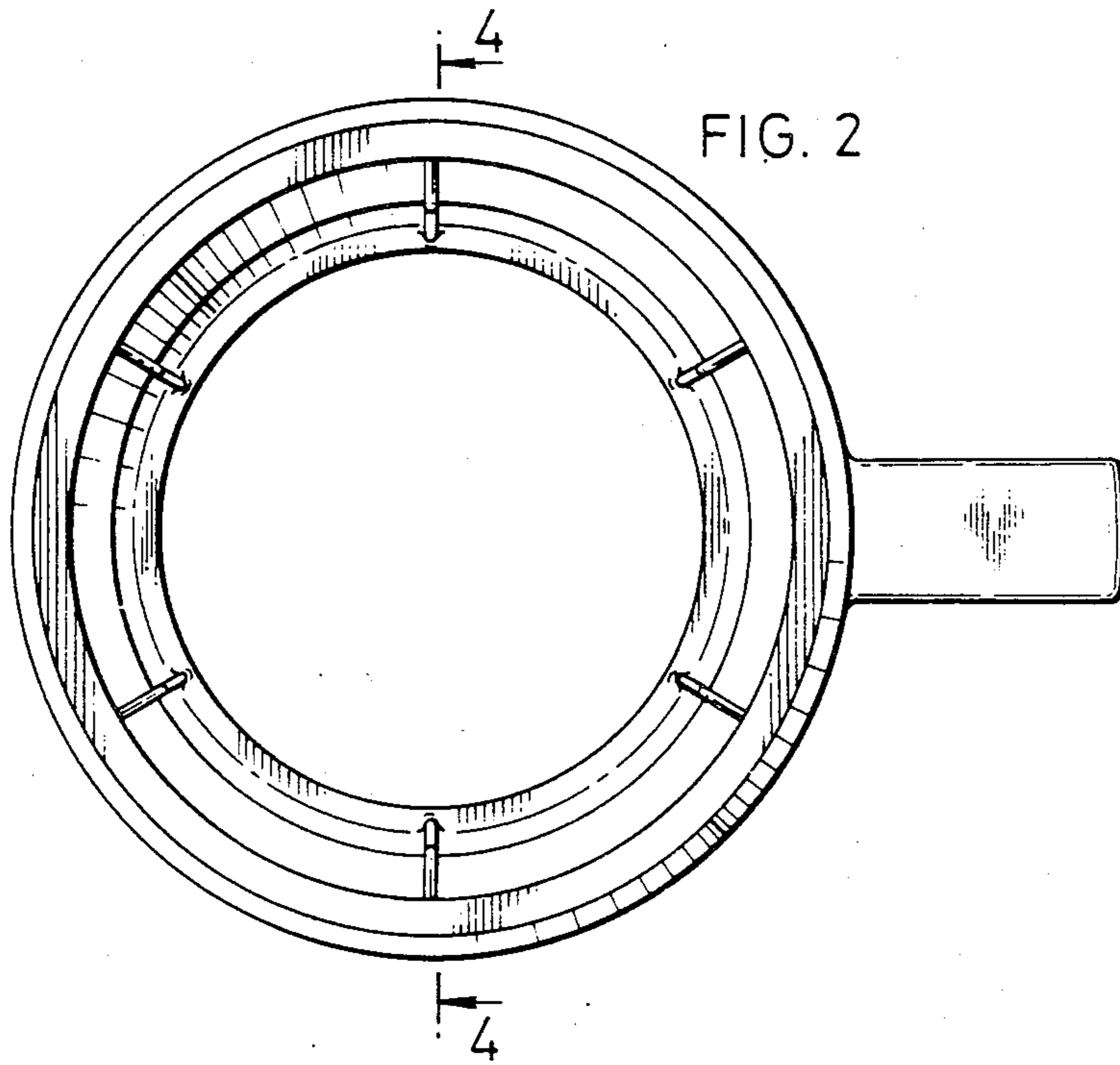


FIG. 3

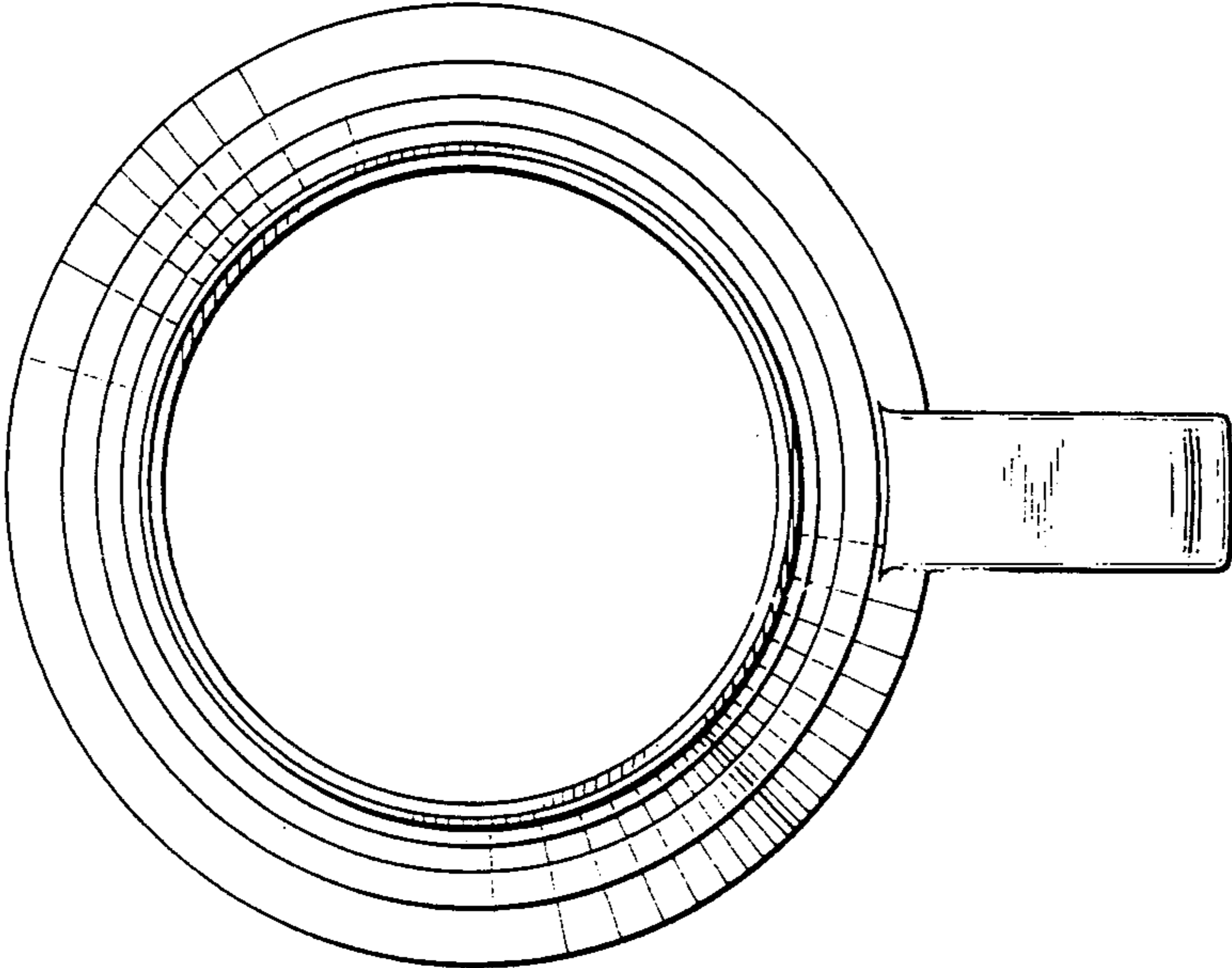


FIG. 4

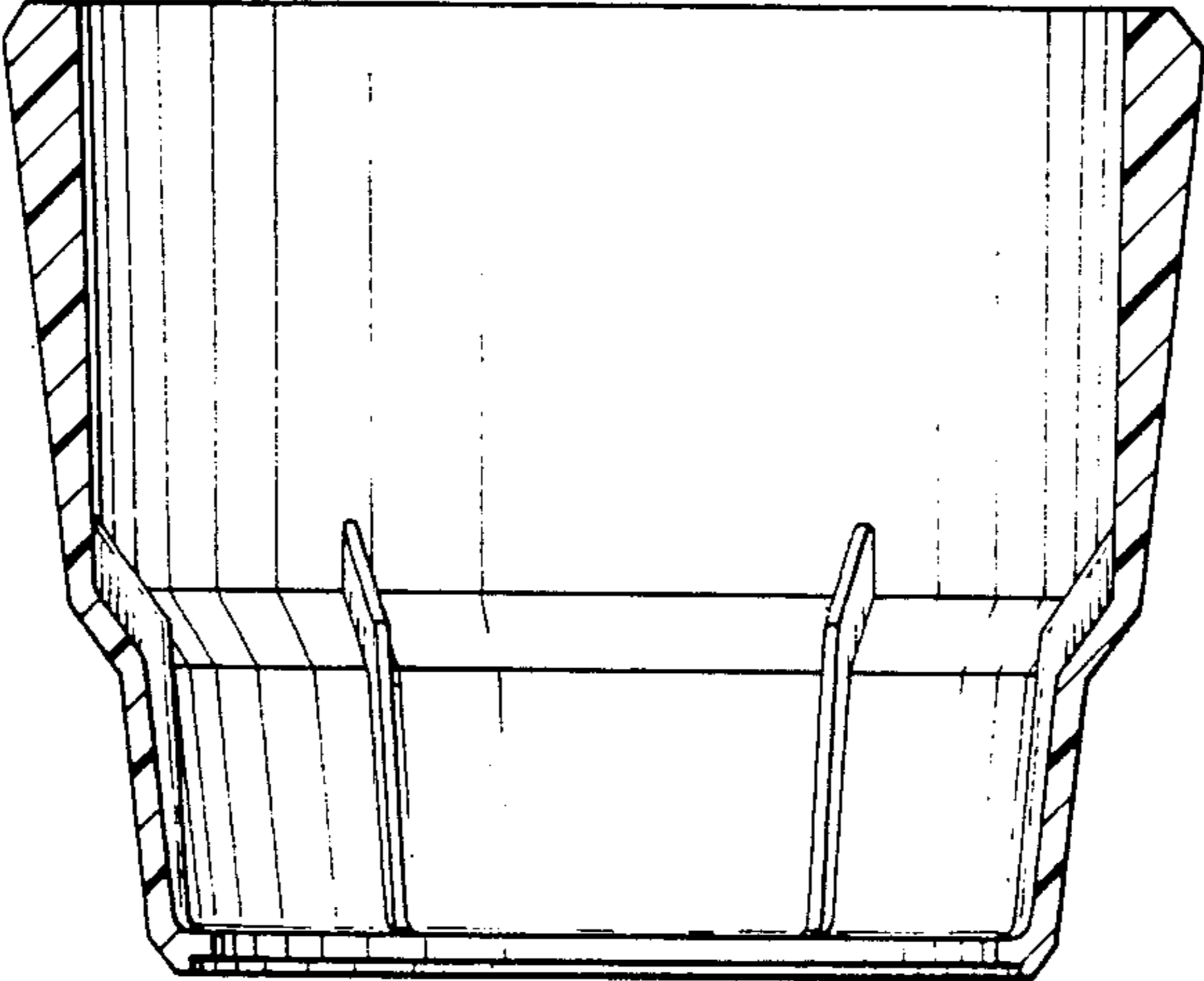


FIG. 5

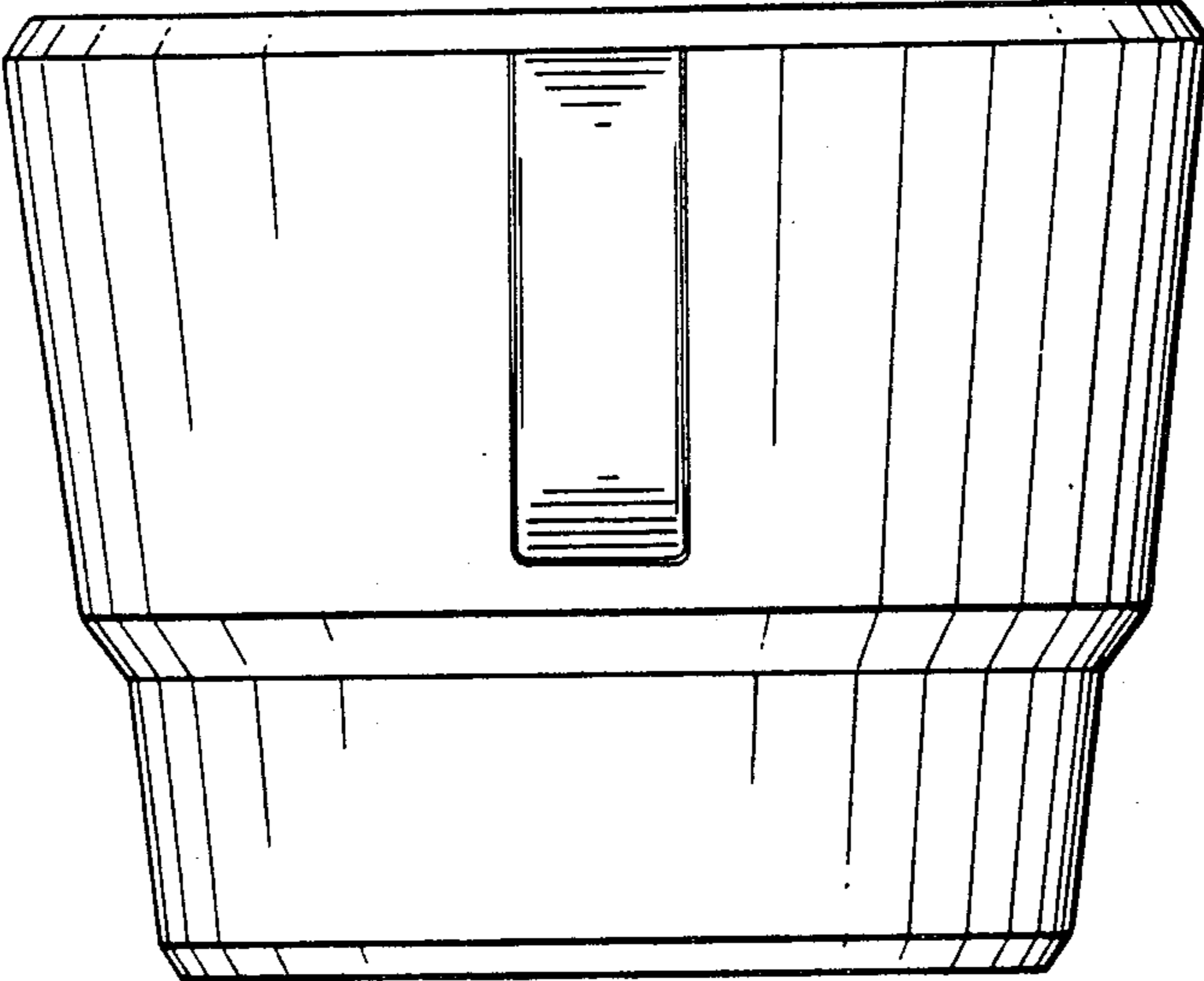


FIG. 6

