

[54] COMBINATION FOOD CONTAINER AND SCOOP

[75] Inventors: Peter Edwards, Hayward; Budd Steinhilber, Stinson Beach; Ken Gilliam, San Francisco, all of Calif.

[73] Assignee: Harmony Foods, Inc., Santa Cruz, Calif.

[\*\*] Term: 14 Years

[21] Appl. No.: 862,599

[22] Filed: May 12, 1986

[52] U.S. Cl. .... D7/79

[58] Field of Search ..... D7/50, 52, 70, 79, 80, D7/81, 104, 387, 397; D9/373; 141/380; 215/DIG. 5; 294/55

[56] References Cited

U.S. PATENT DOCUMENTS

- D. 183,469 9/1958 Ullman .
- D. 200,969 4/1965 Wildgen .
- D. 212,212 9/1968 Tompkins ..... D9/373
- D. 250,871 1/1979 Taylor .
- D. 257,549 11/1980 Chapman .
- 1,240,072 9/1917 Maiden .

OTHER PUBLICATIONS

Restaurants & Institutions, 2/81, p. 197, Scoop, bottom right corner.  
CAI Corporation Catalog, 1/86, pp. 5 & 6, Plastic Bins with Scoops.

Trade Bins of Little Rock, p. 11, Plastic Bins with Scoops.

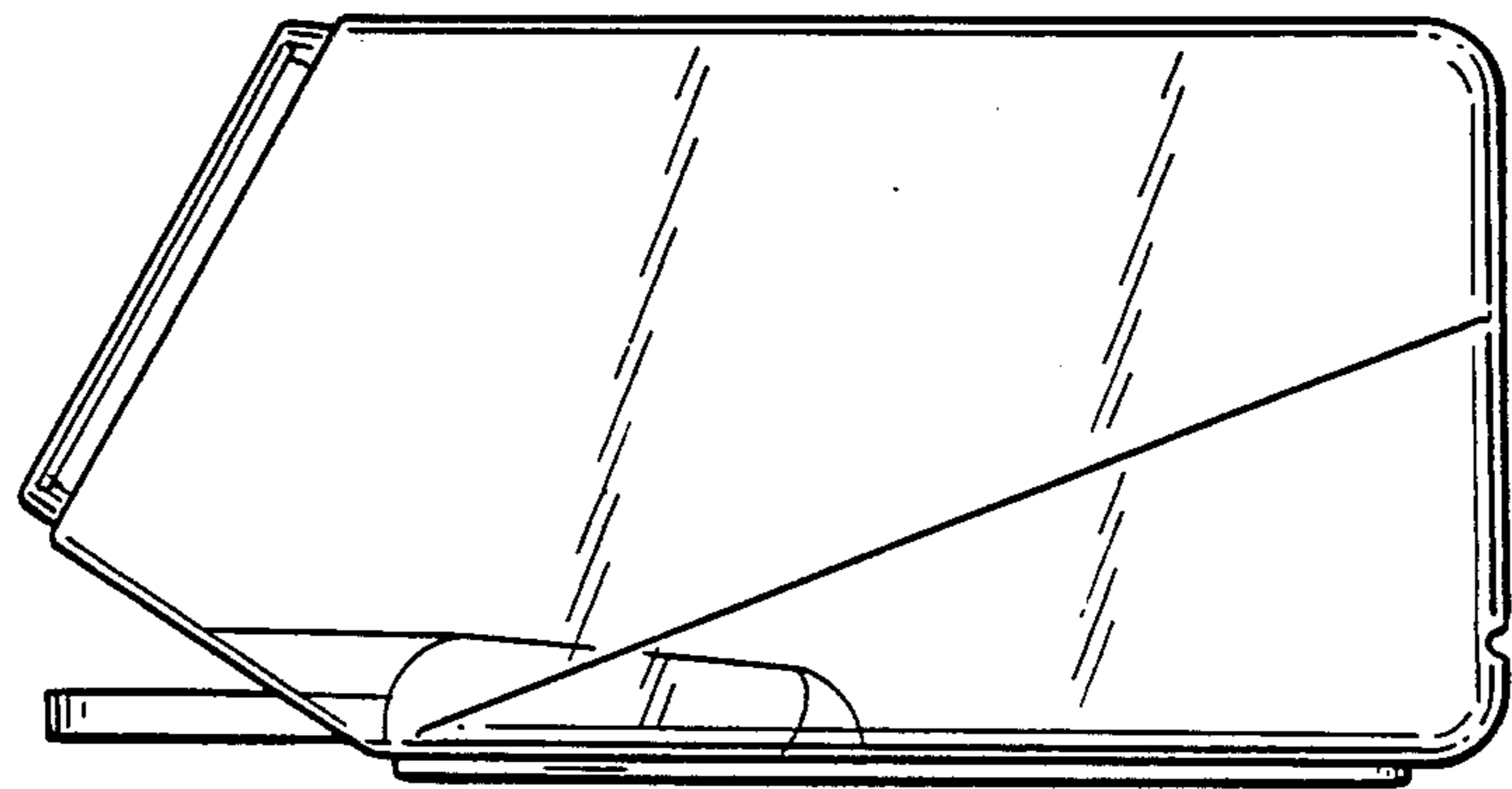
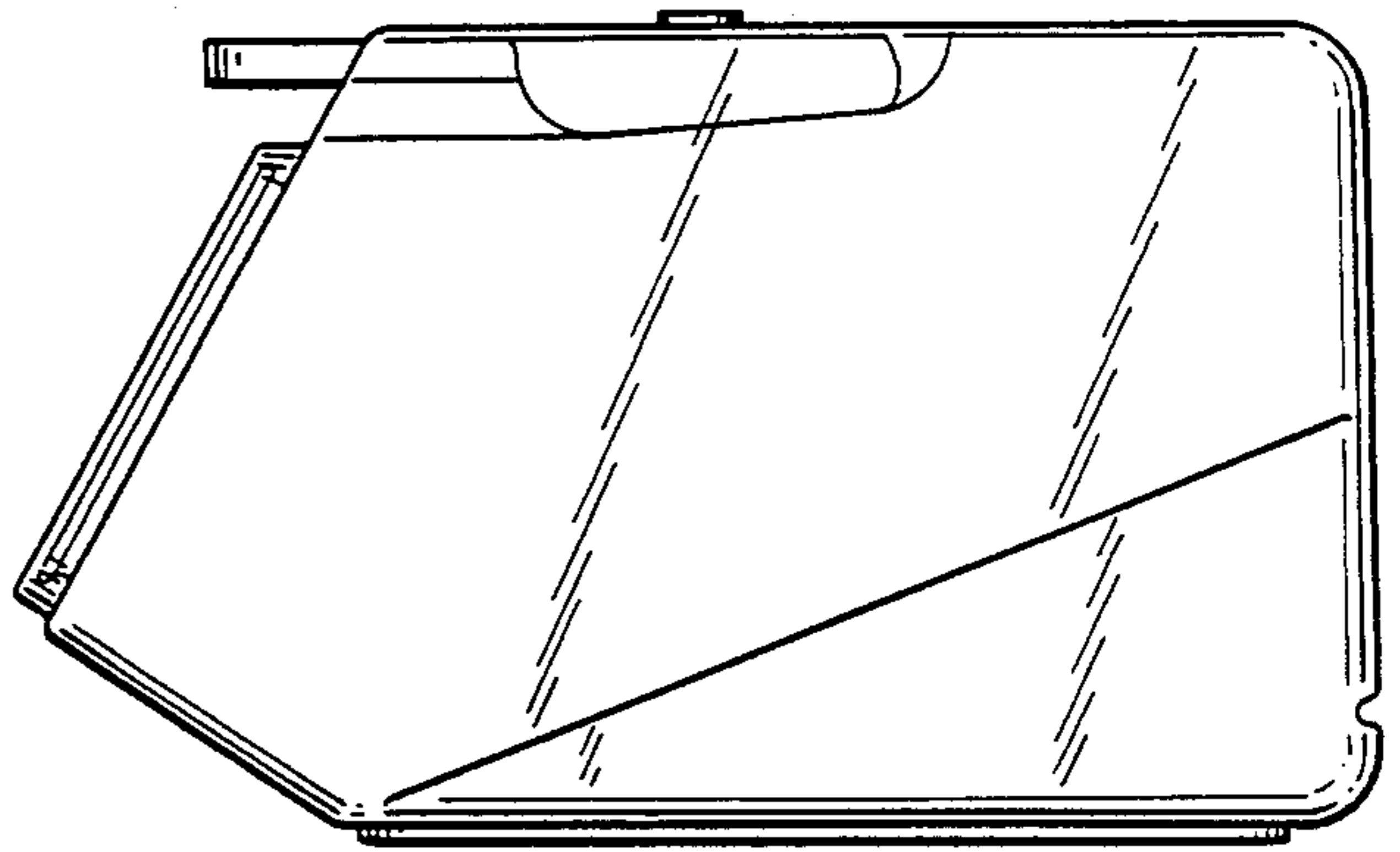
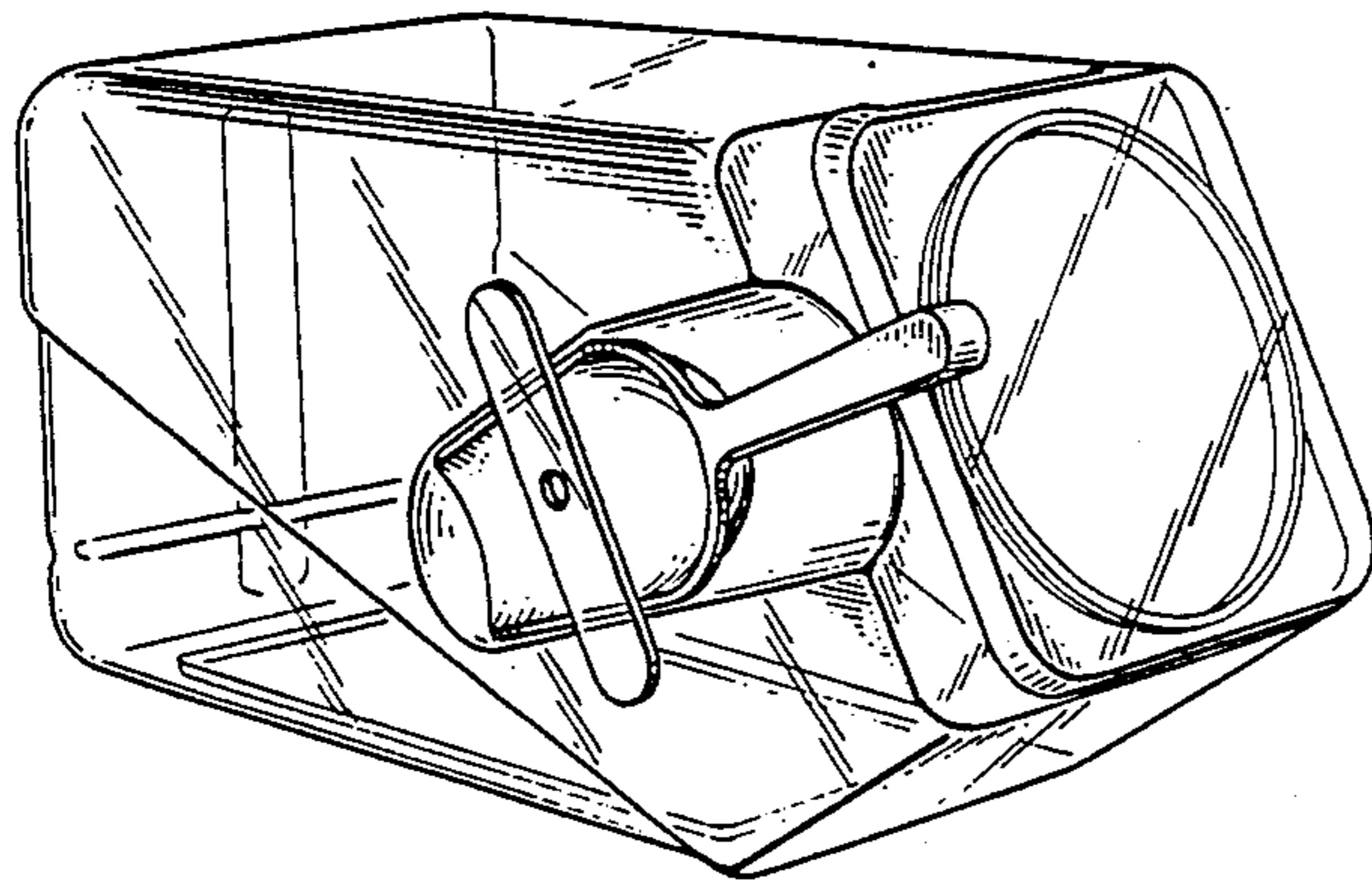
Primary Examiner—Carmen H. Vales  
Assistant Examiner—Terry Pfeffer  
Attorney, Agent, or Firm—Banner, Birch, McKie & Beckett

[57] CLAIM

The ornamental design for a combination food container and scoop, as shown and described.

DESCRIPTION

FIG. 1 is a perspective view of a combination food container and scoop showing our new design;  
 FIG. 2 is a top plan view thereof;  
 FIG. 3 is a left side elevational view thereof;  
 FIG. 4 is a front elevational view thereof;  
 FIG. 5 is a rear elevational view thereof;  
 FIG. 6 is a right side elevational view thereof;  
 FIG. 7 is a bottom plan view thereof;  
 FIG. 8 is a top plan view of a second embodiment of that shown in FIG. 1;  
 FIG. 9 is a right side elevational view of that shown in FIG. 8;  
 FIG. 10 is a front elevational view of that shown in FIG. 8;  
 FIG. 11 is a right side elevational view of a third embodiment of that shown in FIG. 1;  
 FIG. 12 is a bottom plan view of that shown in FIG. 11; and  
 FIG. 13 is a front elevational view of that shown in FIG. 11.



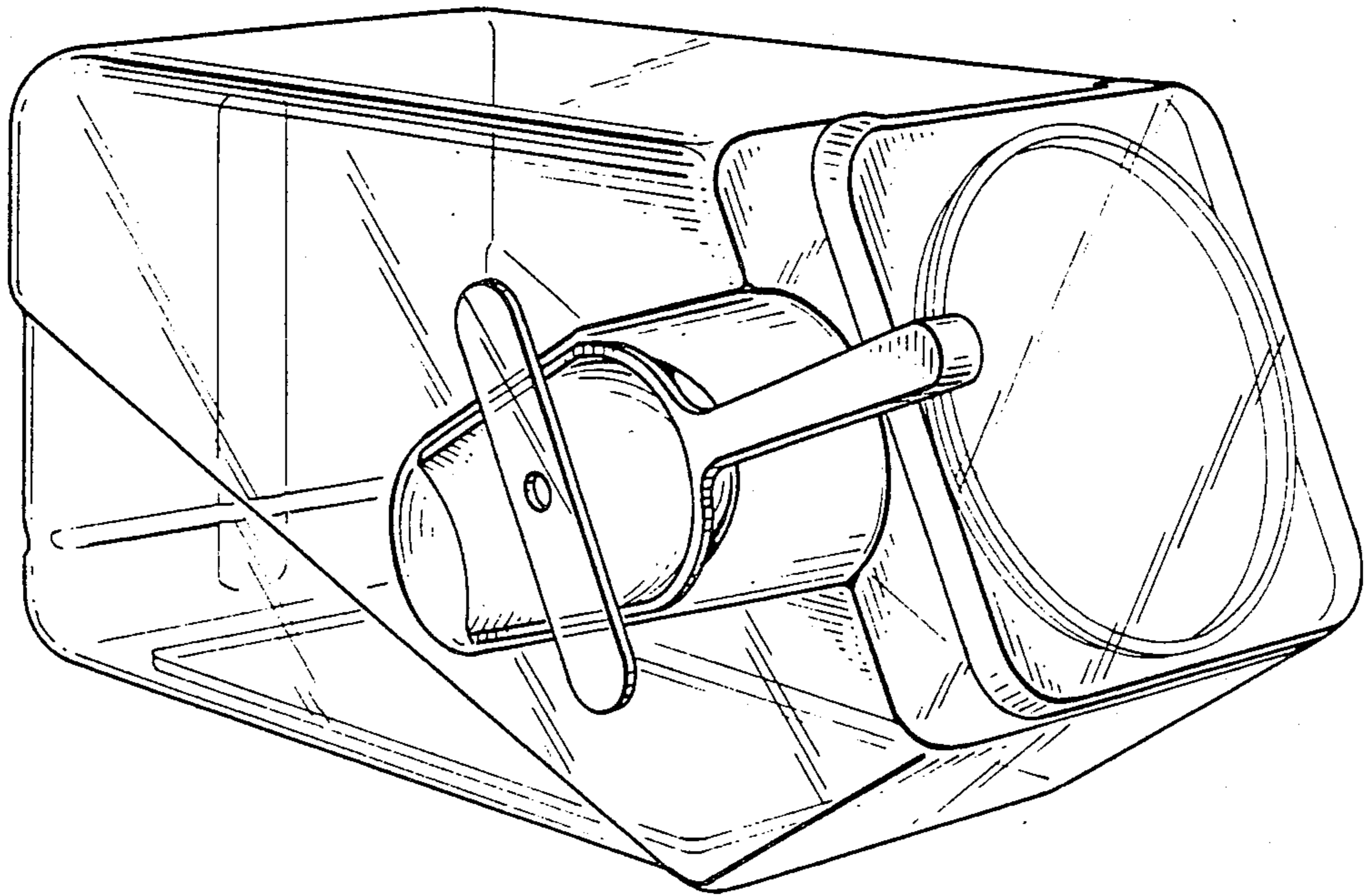


FIG. 1.

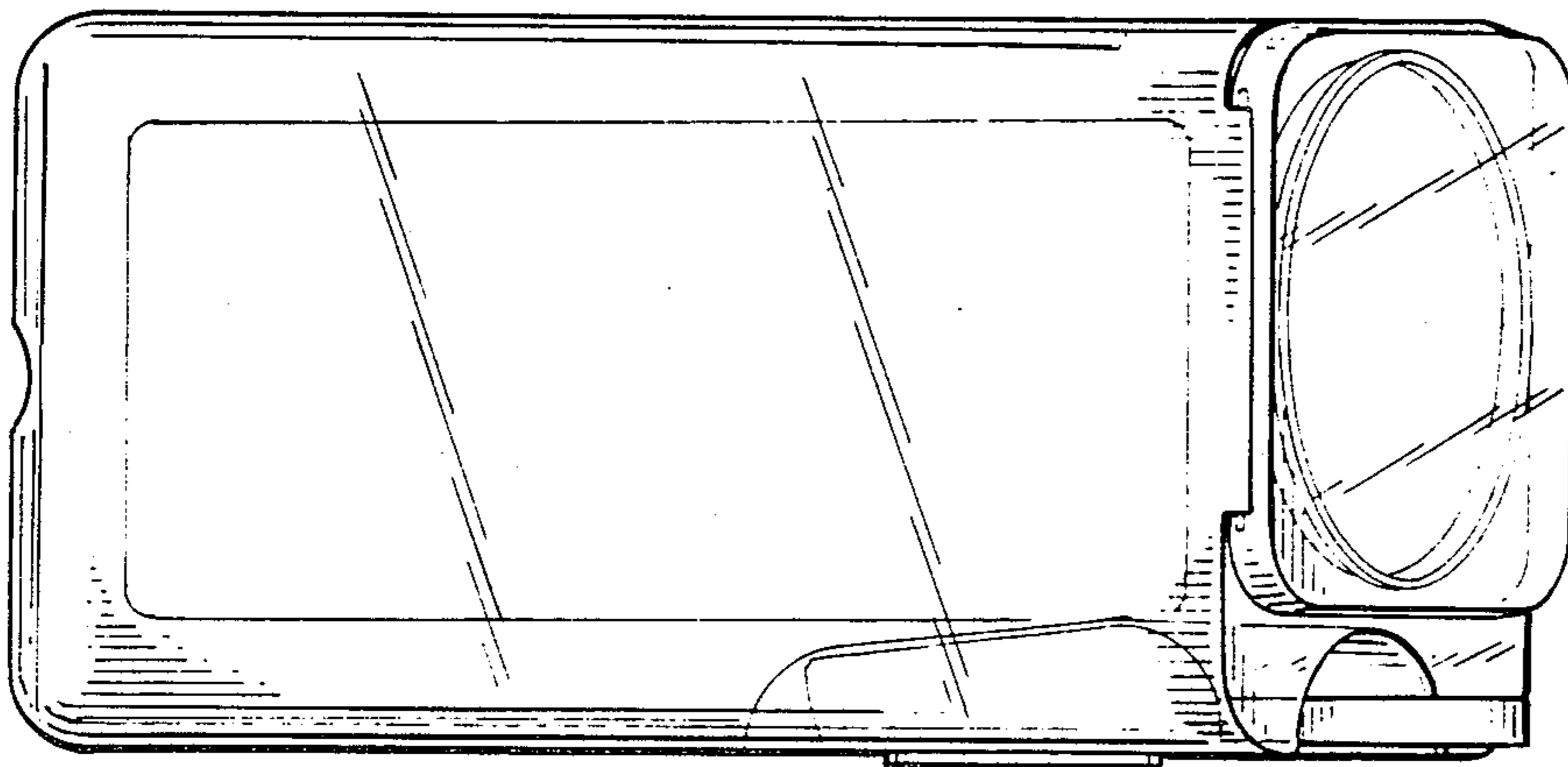


FIG. 2.

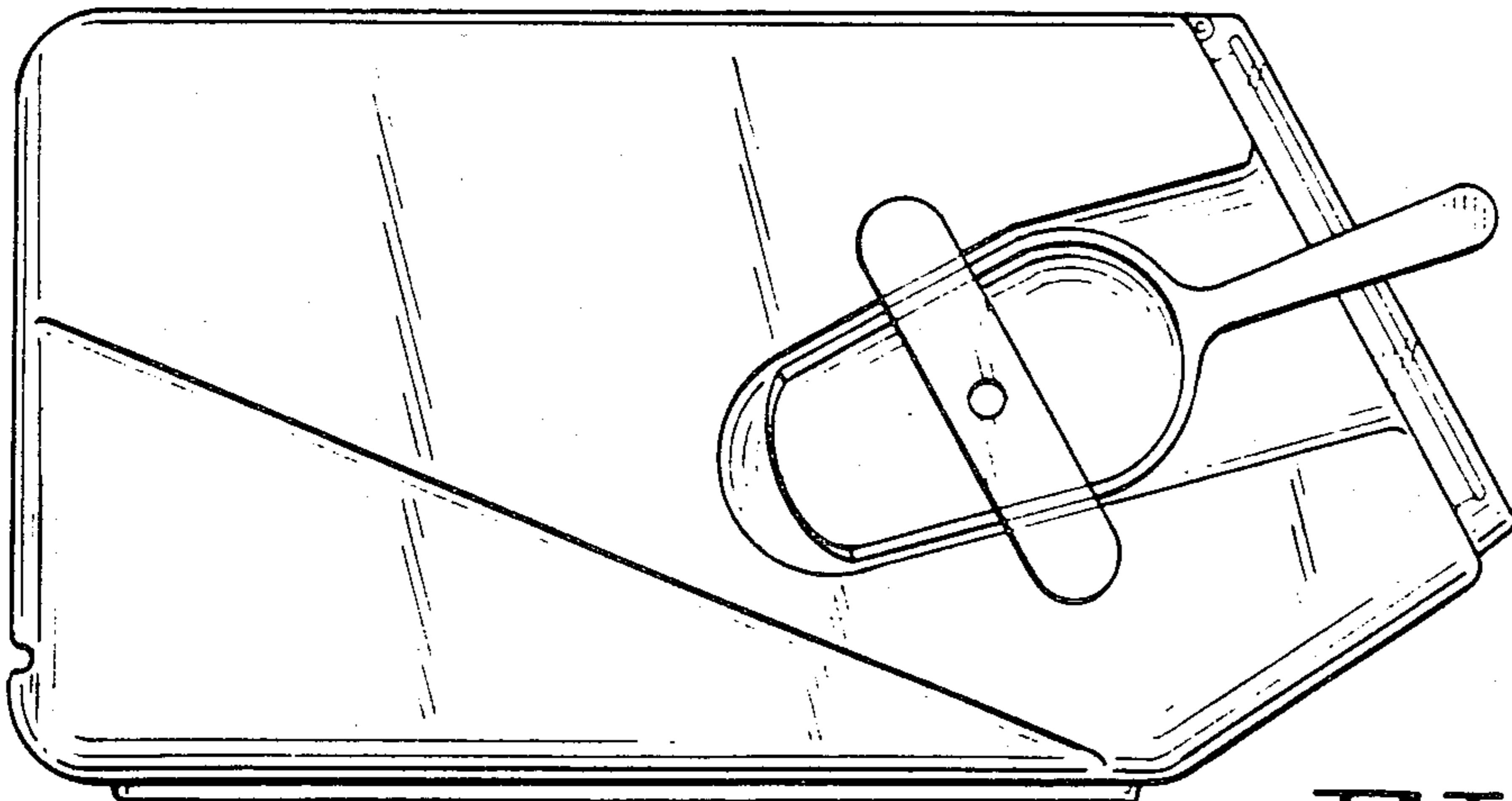


FIG. 3.



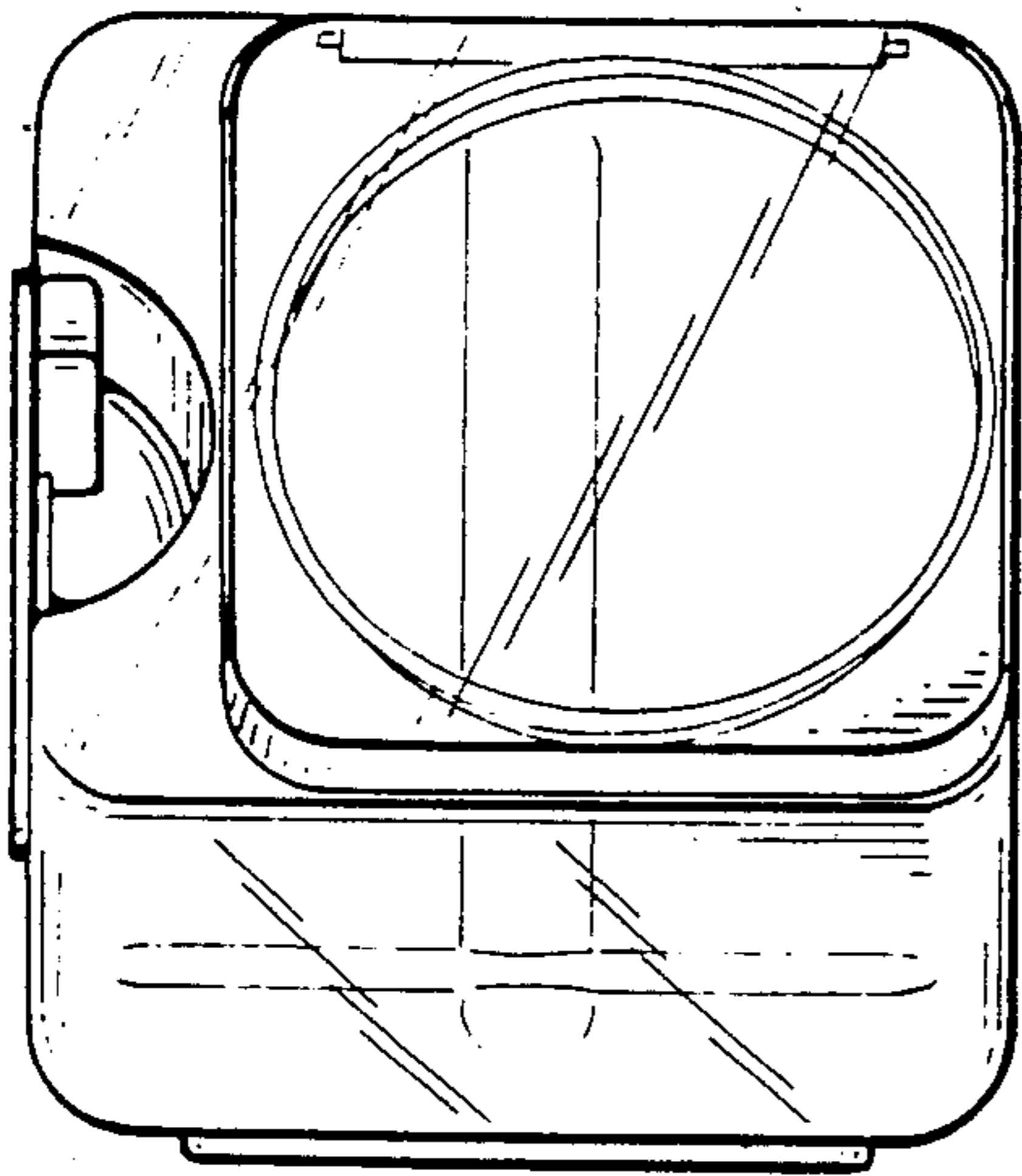


FIG. 4.

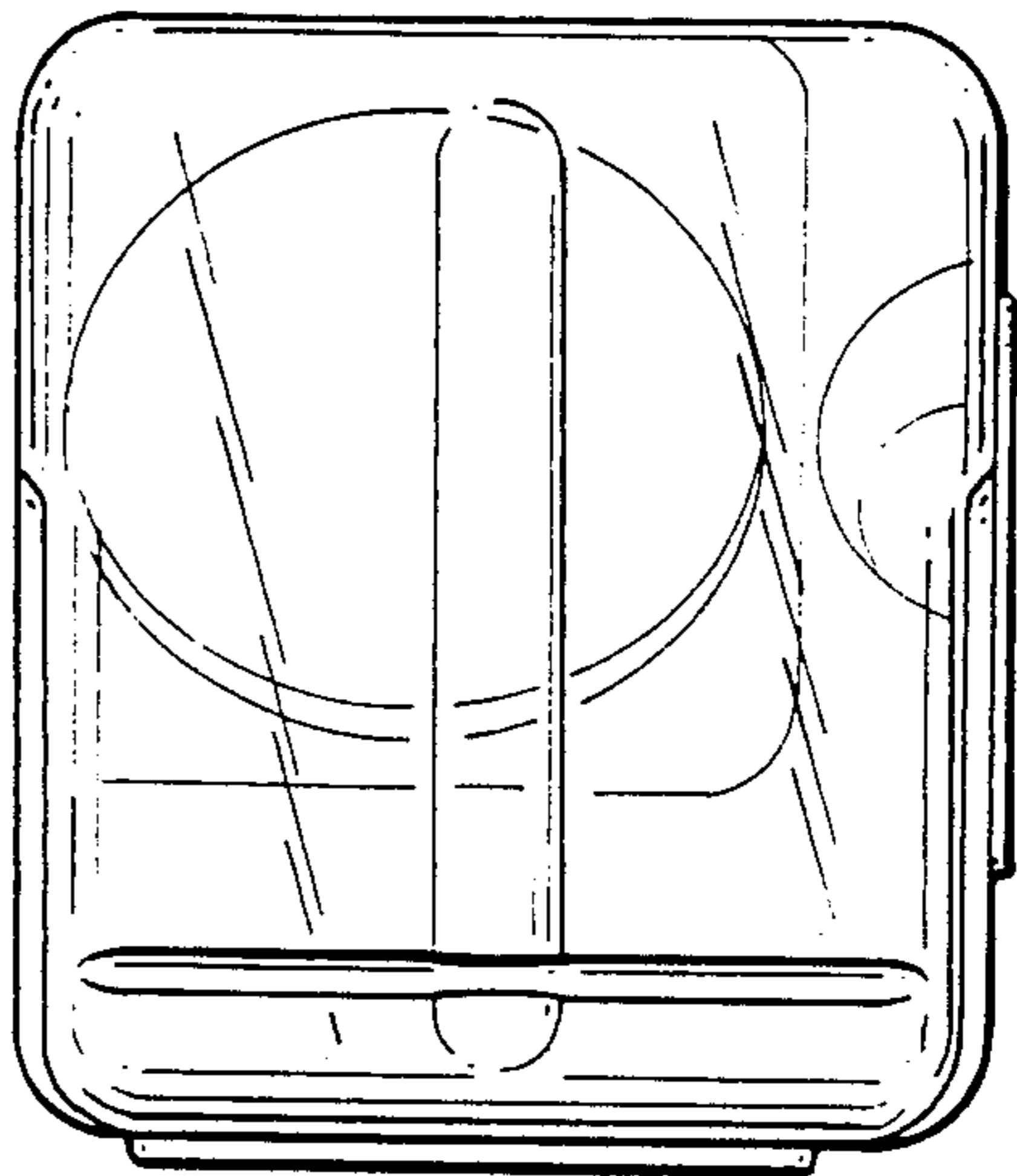


FIG. 5.

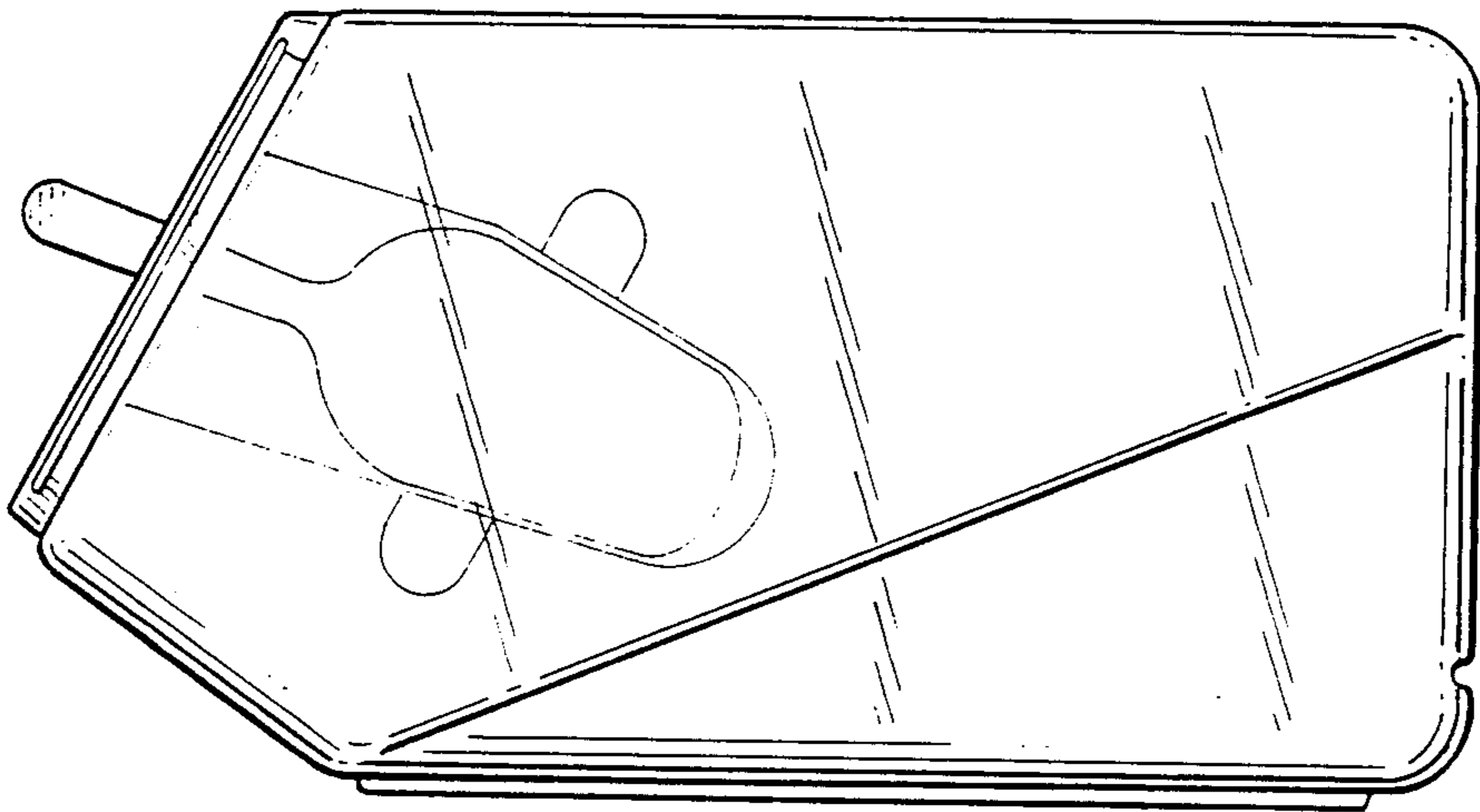


FIG. 6.

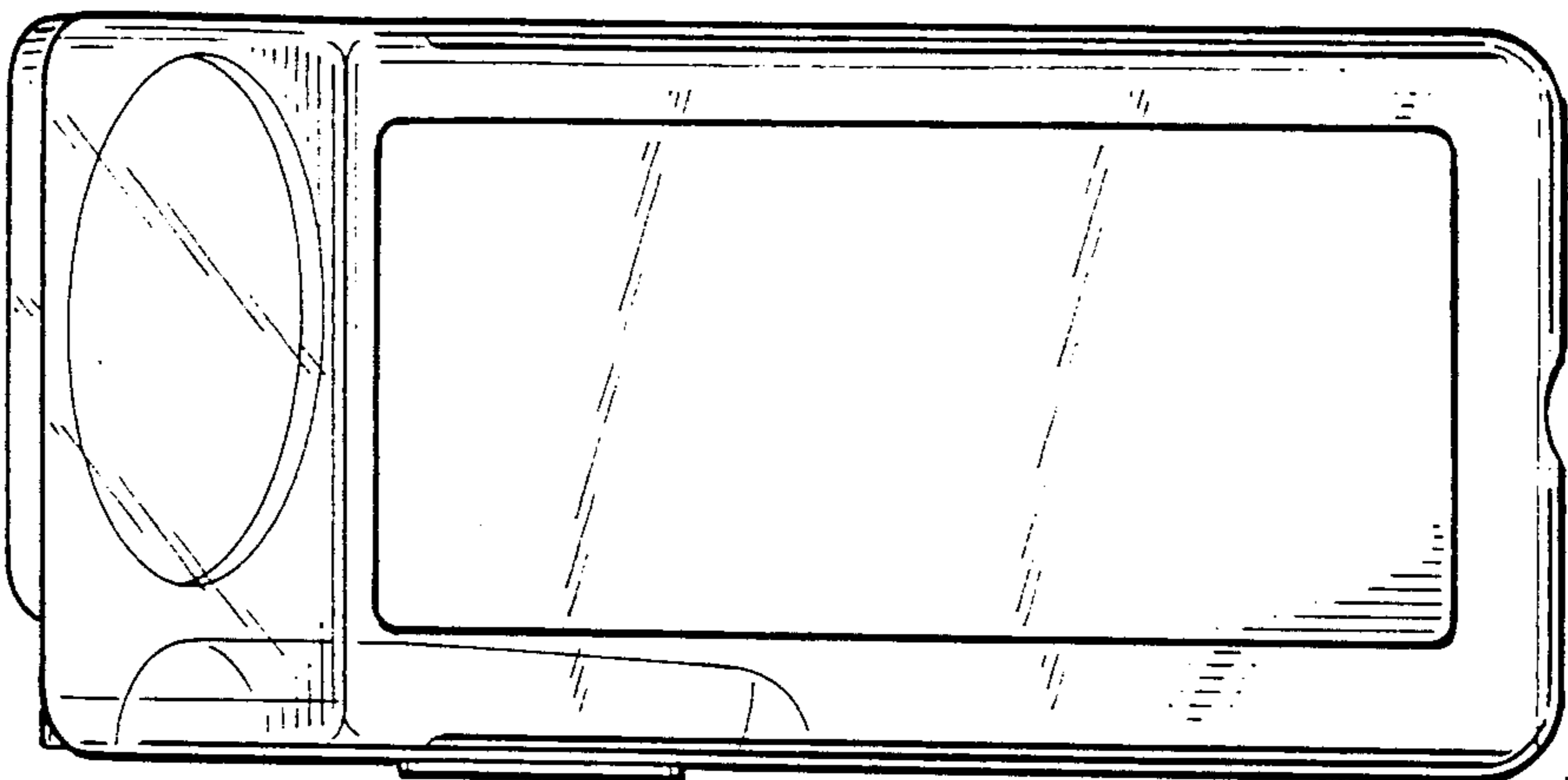


FIG. 7.

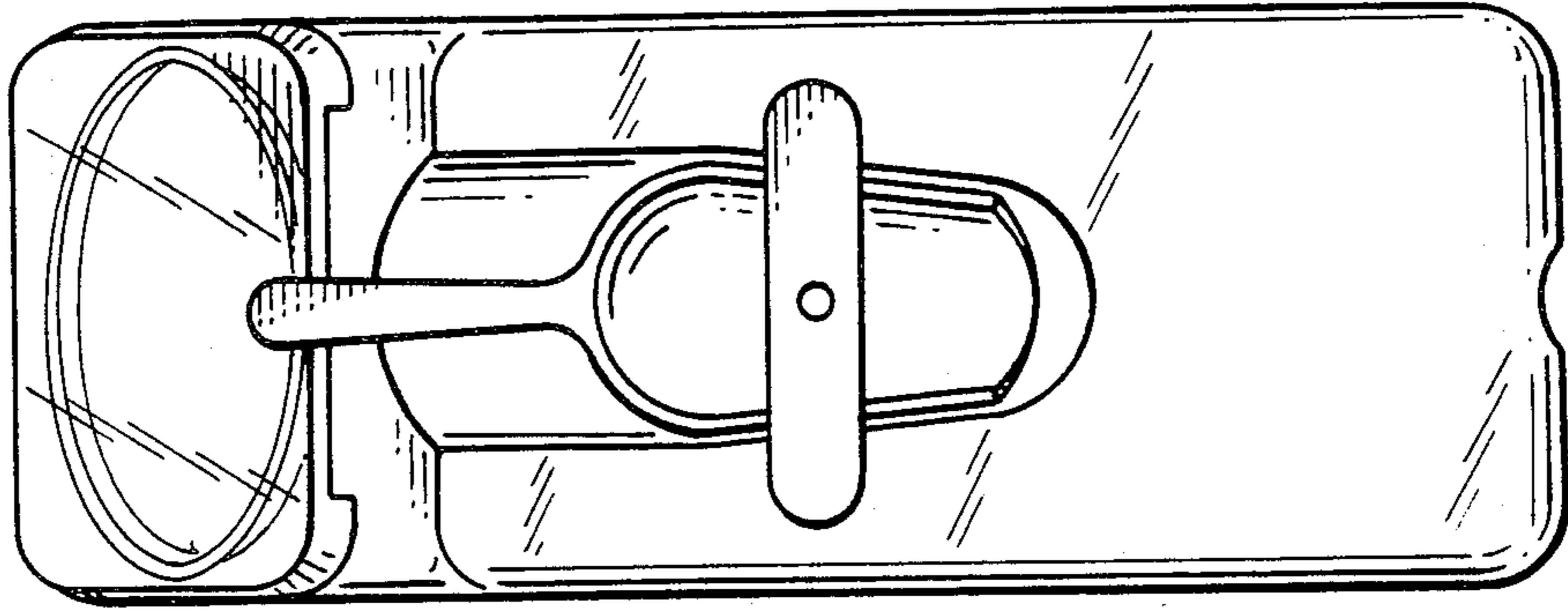


FIG. 8.

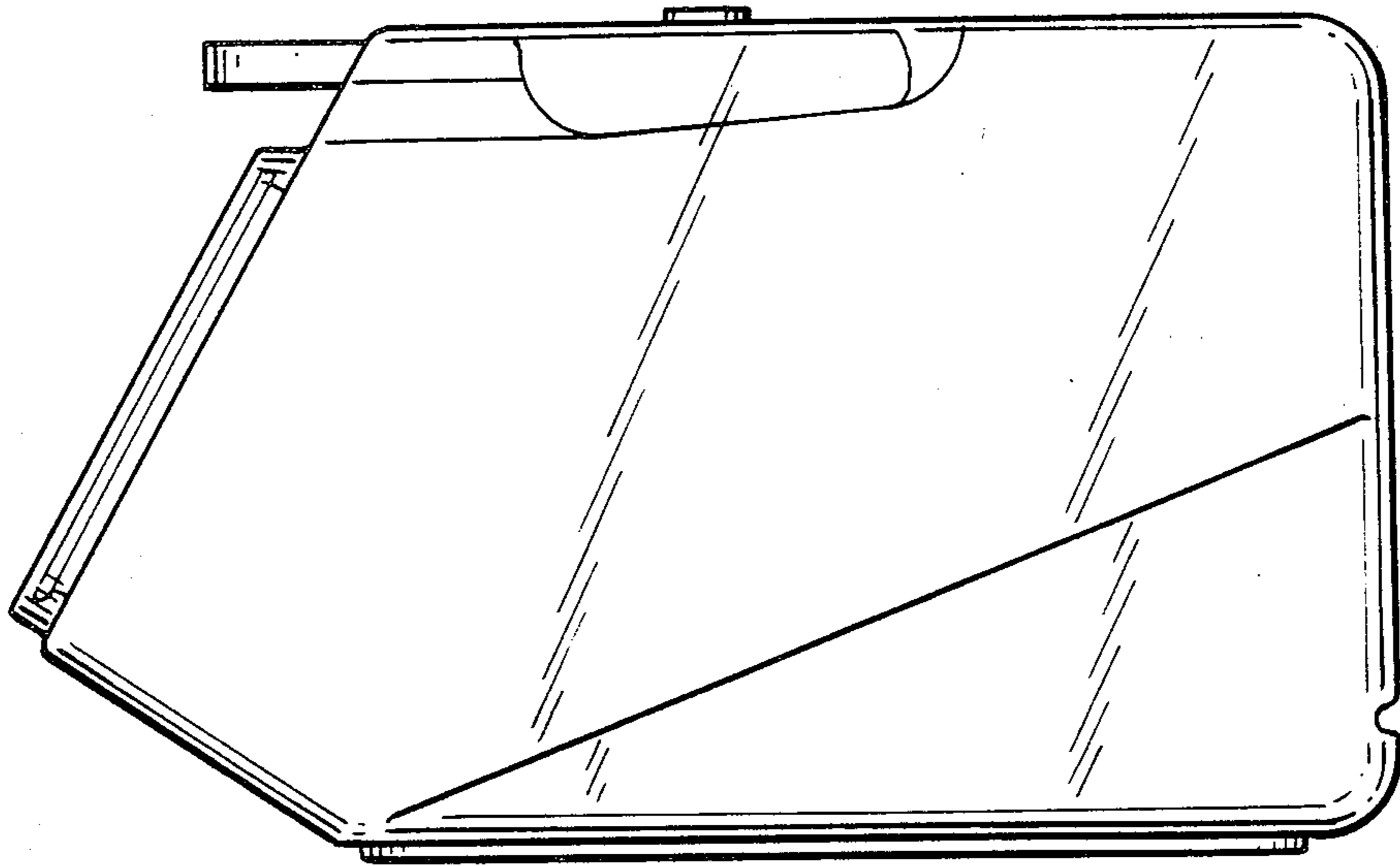


FIG. 9.

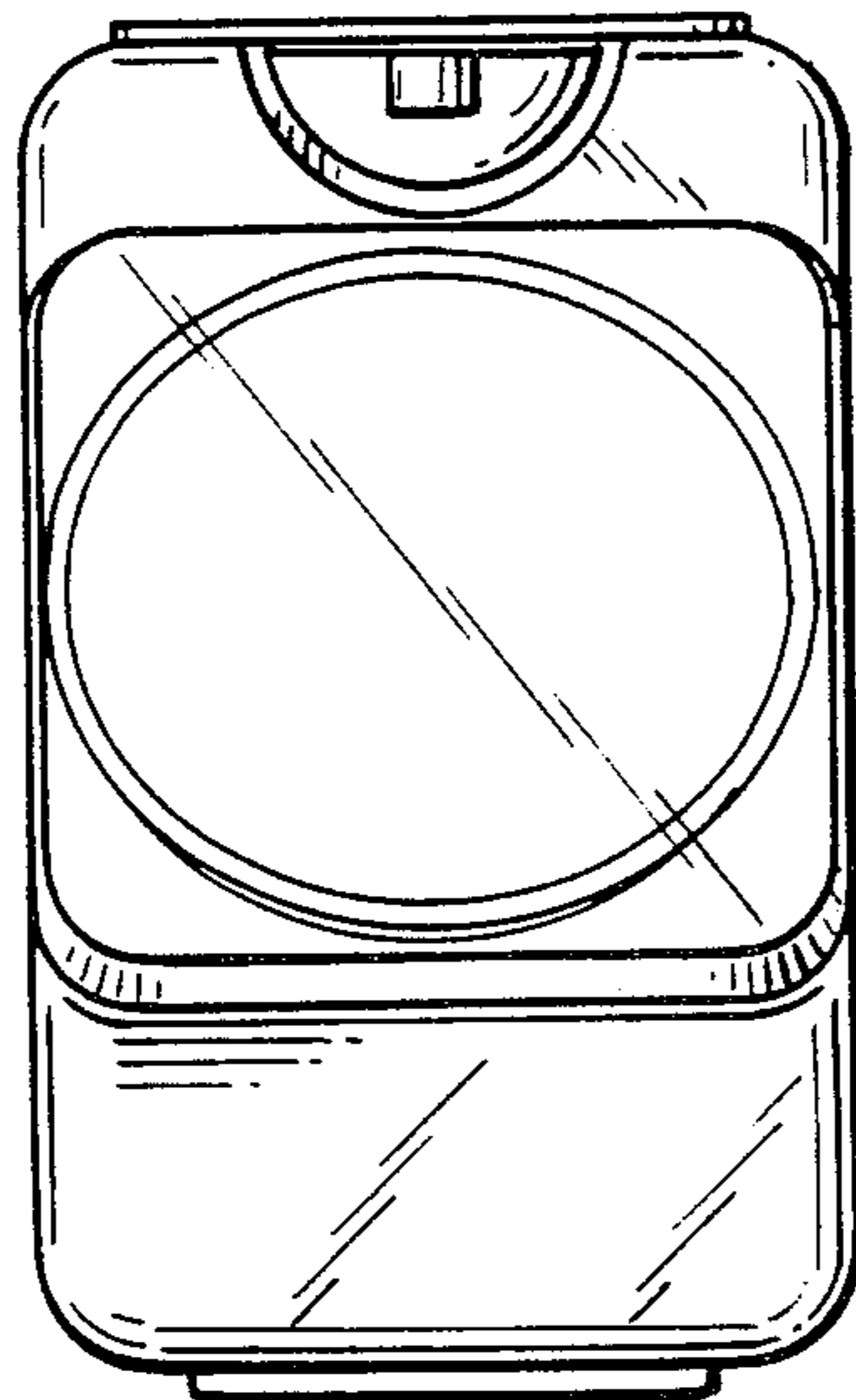


FIG. 10.

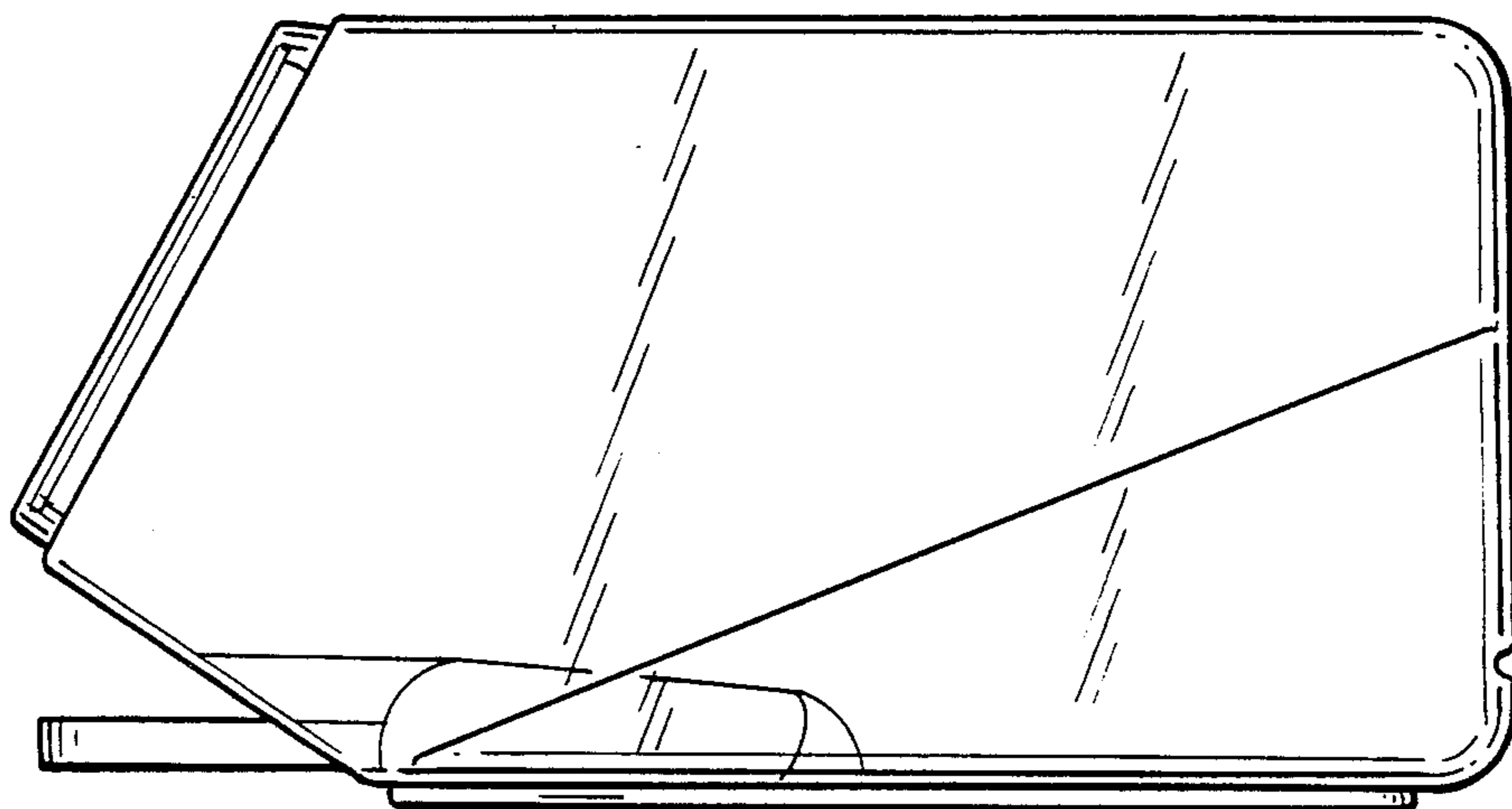


FIG. 11.

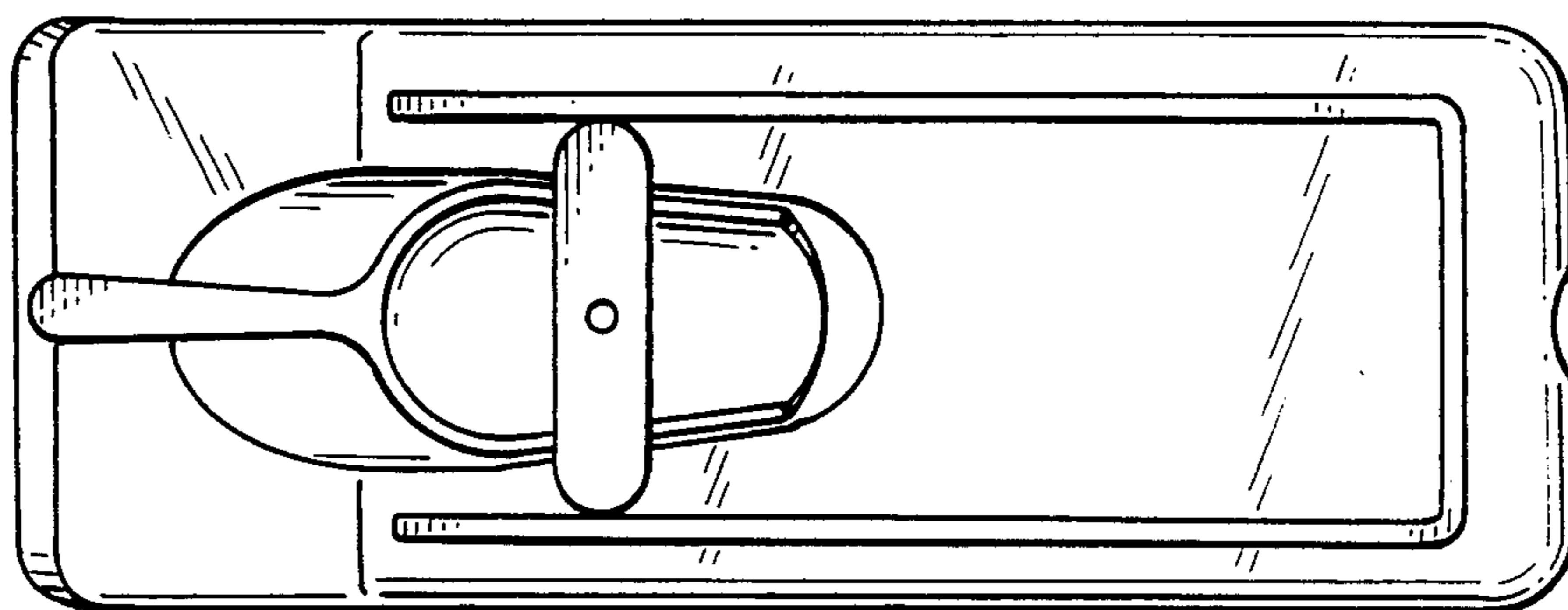


FIG. 12.

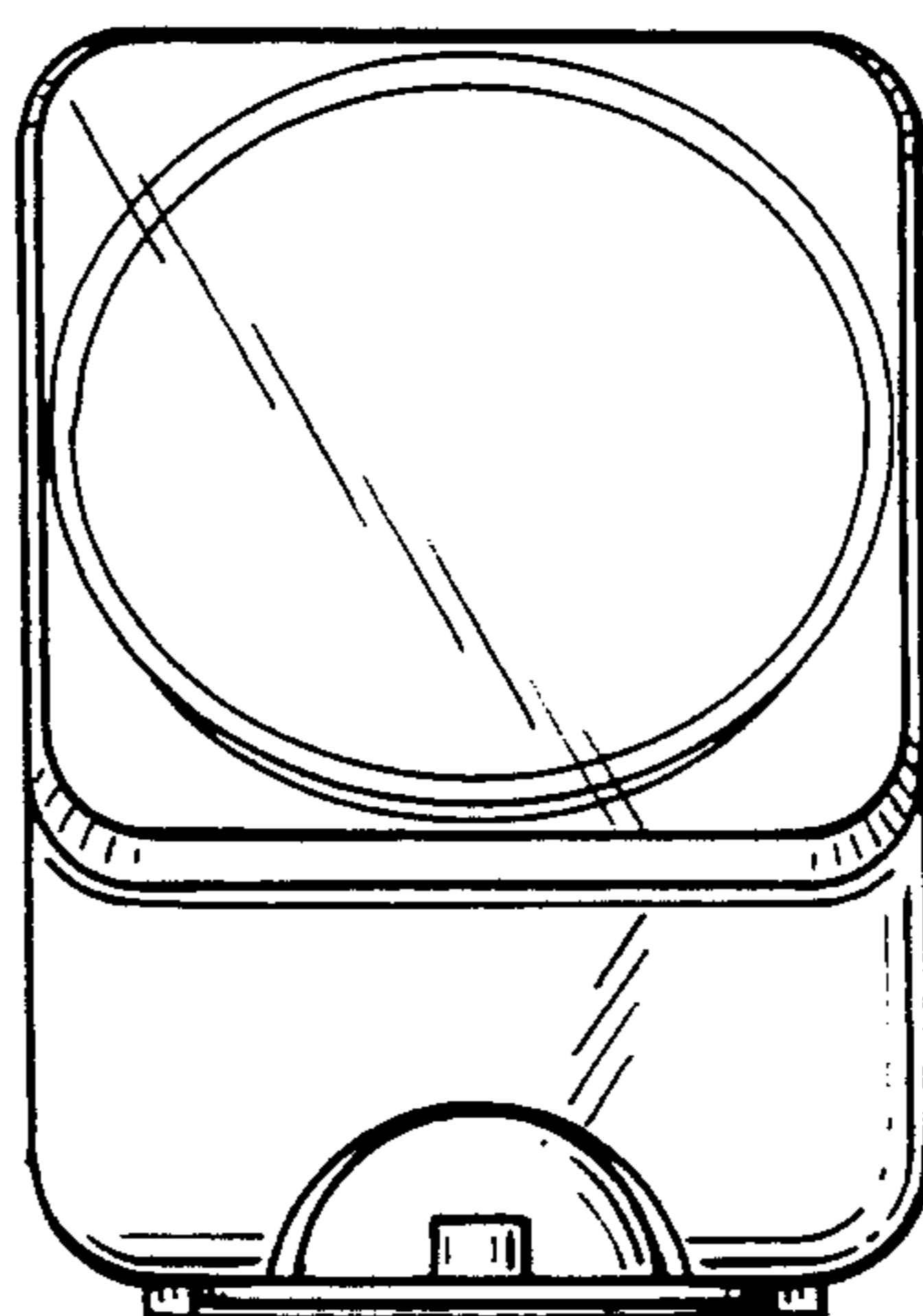


FIG. 13.