

[54] CONNECTOR FOR ATTACHING AN INFANT SEAT TO A TABLE

[76] Inventor: Chin-Chou Ho, 58 Ching Fong Street, Taipei, Taiwan

[**] Term: 14 Years

[21] Appl. No.: 758,158

[22] Filed: Jul. 23, 1985

[52] U.S. Cl. D6/491

[58] Field of Search D6/333, 491, 500, 495; 248/605, 608; 403/172, 176, 295, 297

[56] References Cited

U.S. PATENT DOCUMENTS

D. 32,886 6/1900 Trounstine D6/503
D. 45,360 3/1914 Vail D6/503
D. 270,883 10/1983 Hultberg D6/491
4,012,153 3/1977 Pidgeon et al. 403/170

4,023,913 5/1977 Berkowitz 403/172 X

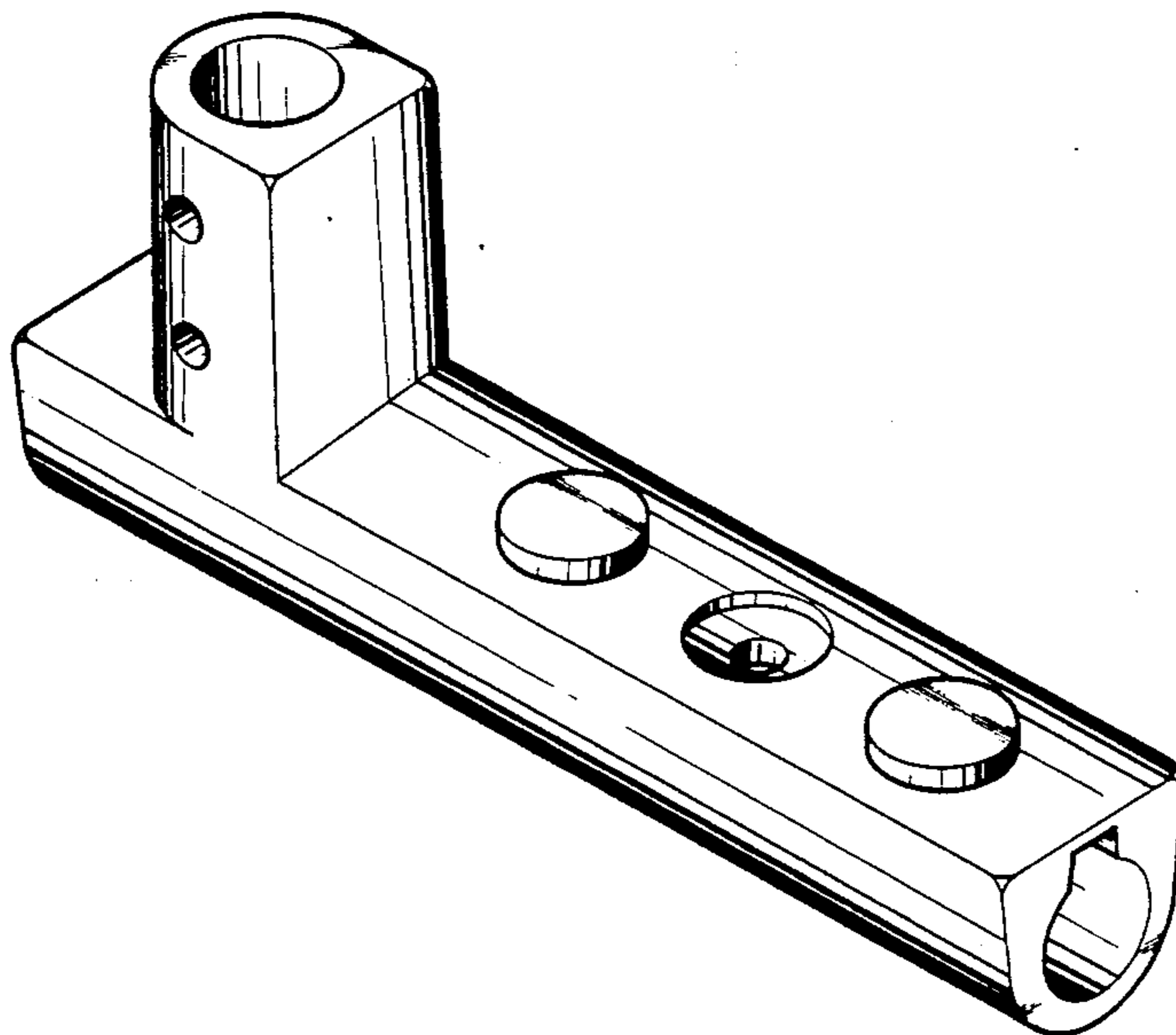
Primary Examiner—Bruce W. Dunkins
Attorney, Agent, or Firm—Balogh, Osann, Kramer, Dvorak, Genova & Traub

[57] CLAIM

The ornamental design for a connector for attaching an infant seat to a table, as shown and described.

DESCRIPTION

FIG. 1 is a perspective view of a connector for attaching an infant seat to a table, showing my design; FIG. 2 is a side elevational view; FIG. 3 is a left end elevational view; FIG. 4 is a right end elevational view; FIG. 5 is a top plan view; and, FIG. 6 is a sectional view thereof. The side of the connector not shown is a mirror image of the side shown in FIG. 2.



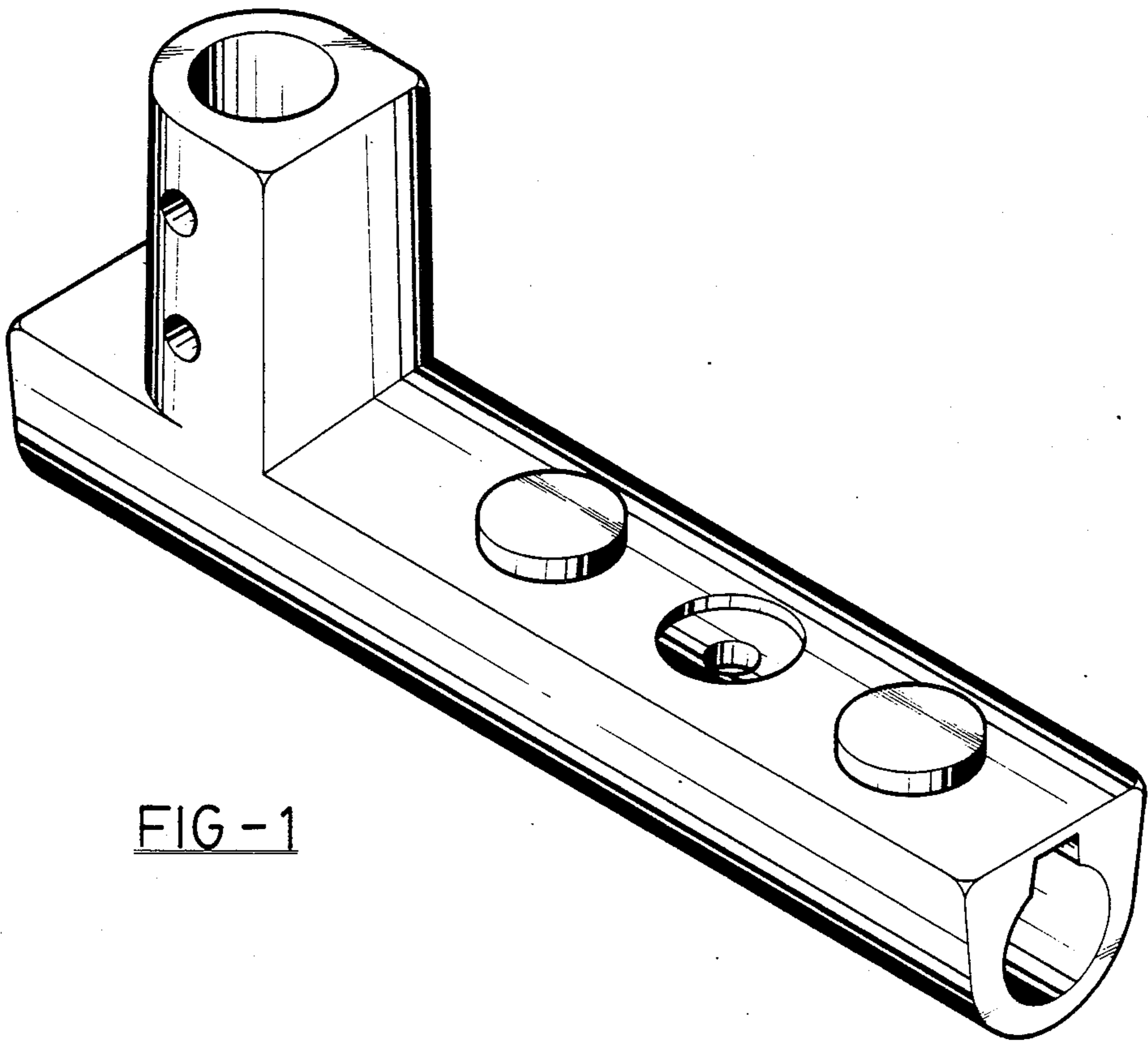


FIG-1

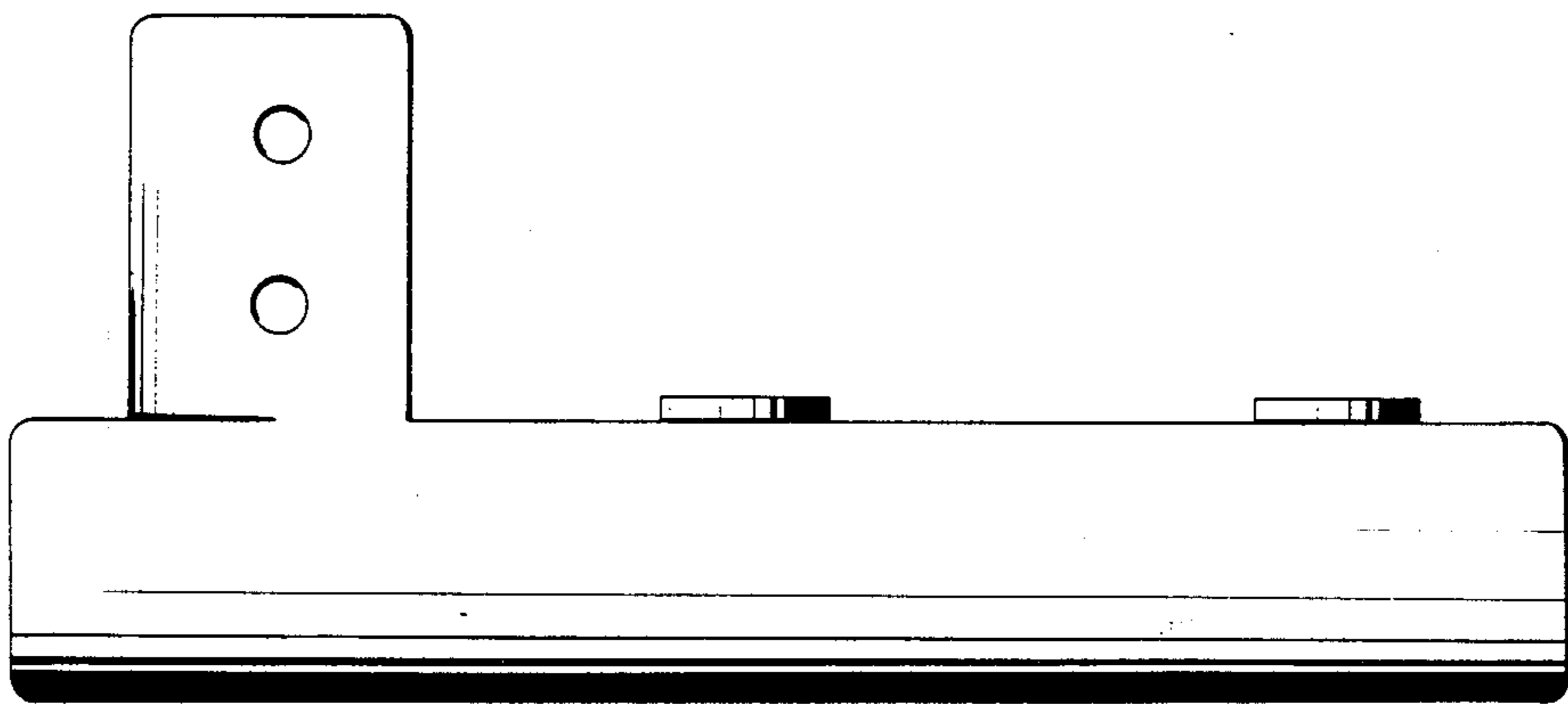


FIG-2

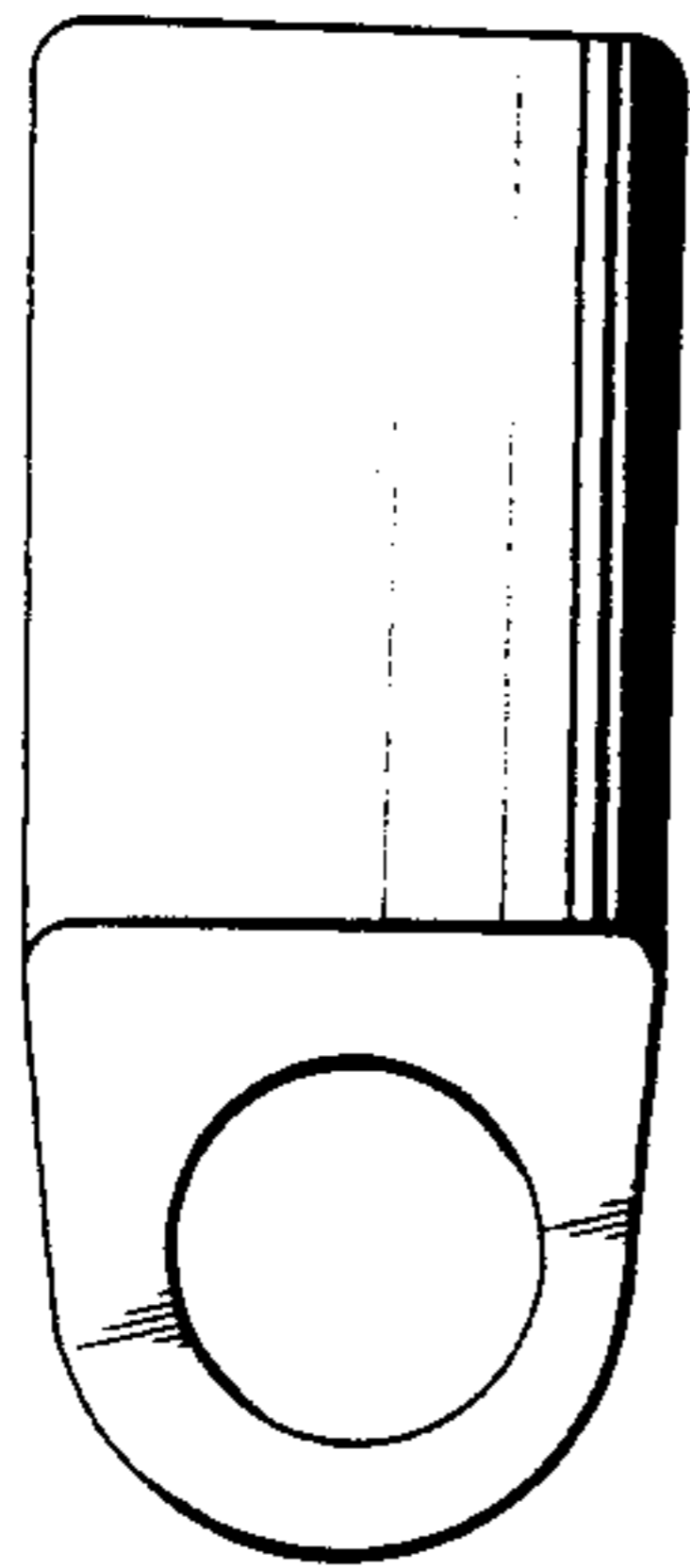


FIG-3

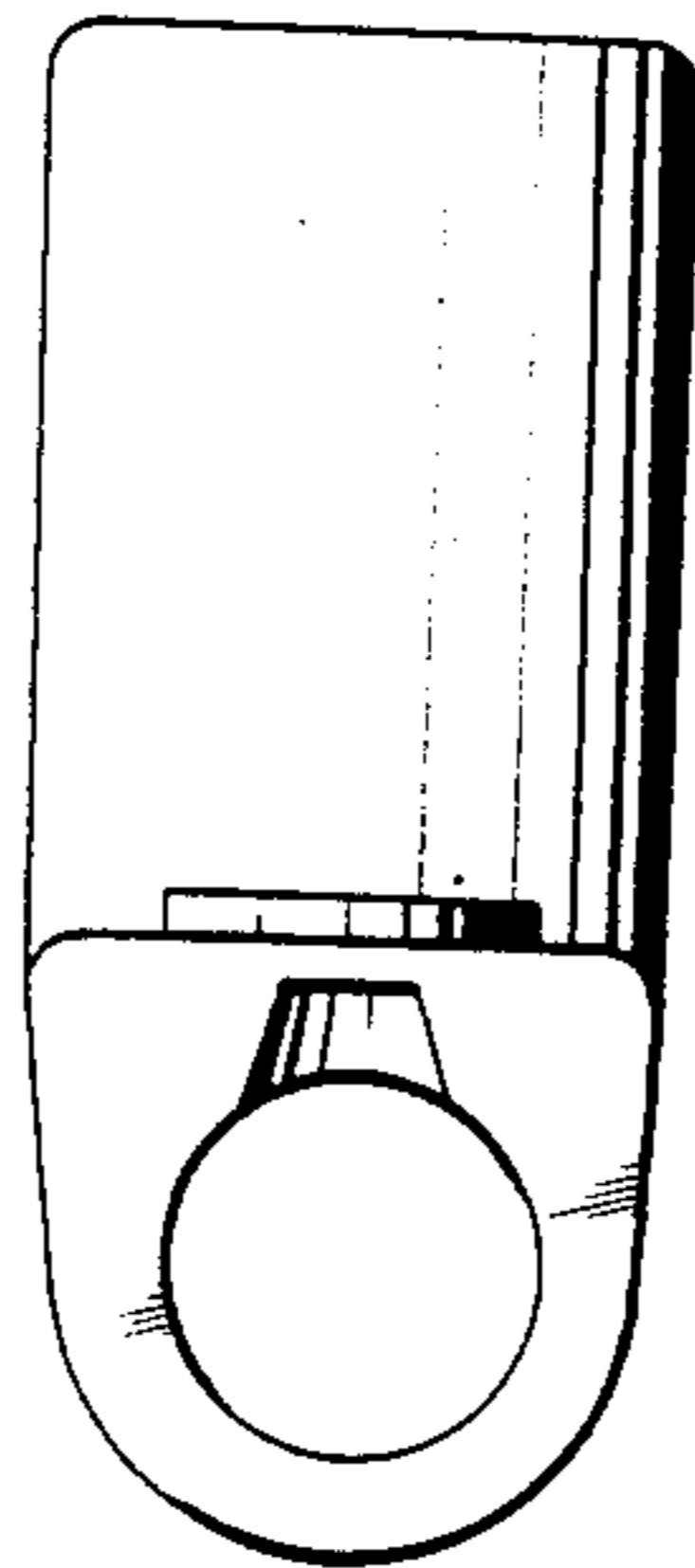


FIG-4

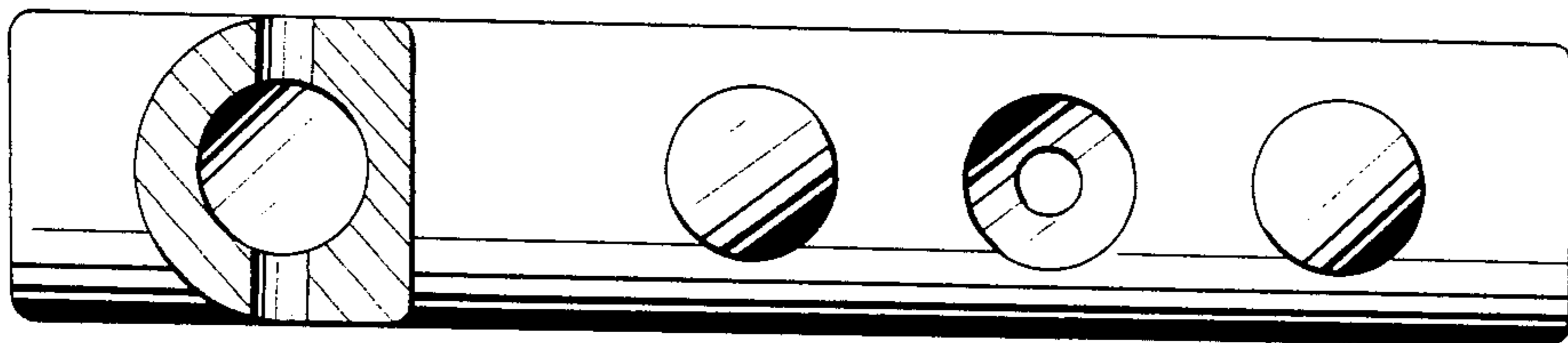


FIG-5

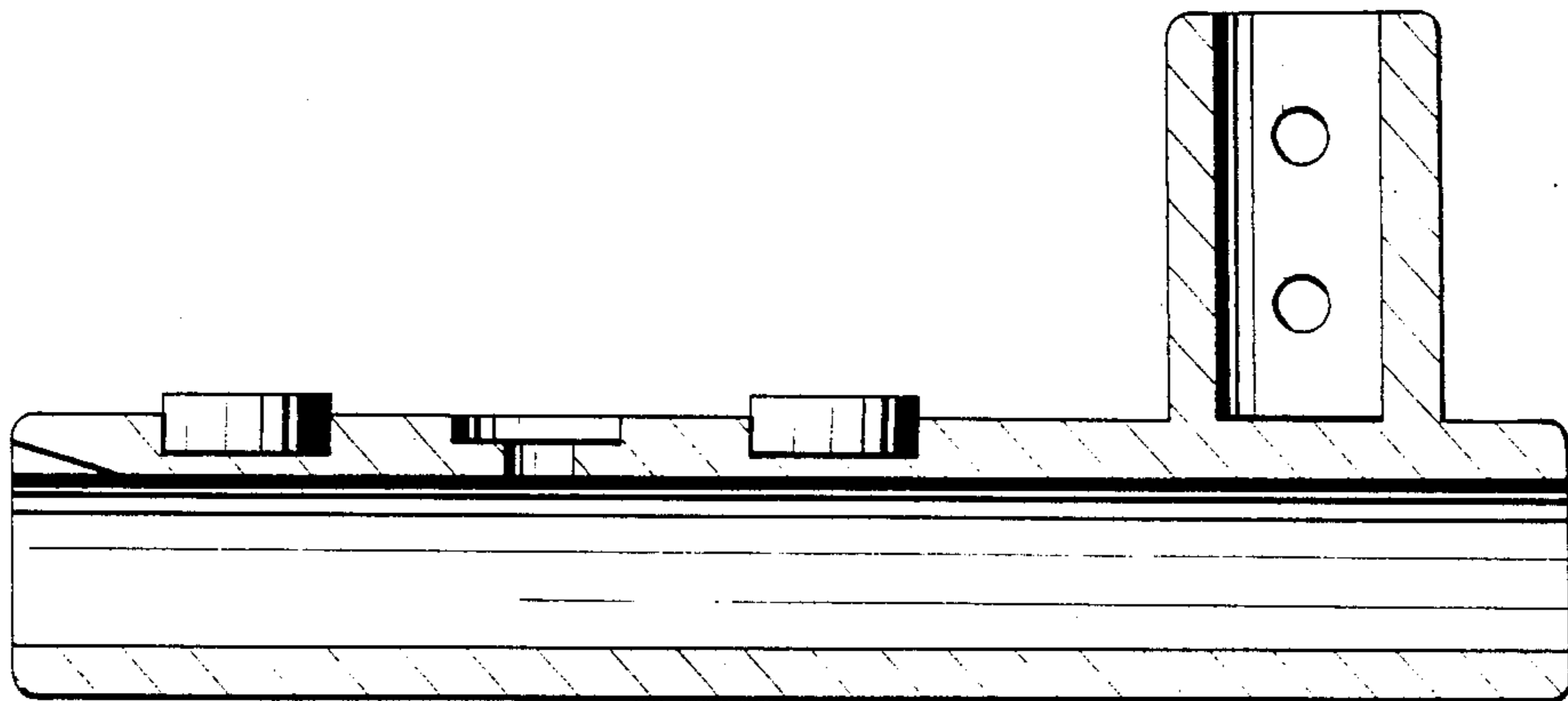


FIG-6