

[54] **DISKETTE FILE BOX**
[75] **Inventor: Dale M. Evans, Windsor, Wis.**
[73] **Assignee: Don Evans, Inc., DeForest, Wis.**
[**] **Term: 14 Years**
[21] **Appl. No.: 764,721**
[22] **Filed: Aug. 12, 1985**
[52] **U.S. Cl. D3/35; D3/78;
D9/420; D19/76**
[58] **Field of Search D3/30.1, 33, 35, 39,
D3/78; D19/75, 76, 78; D9/420**

D. 287,788 1/1987 Shames et al. D3/78
D. 288,938 3/1987 Kloot D19/76
4,545,484 10/1985 Ronner 206/425

Primary Examiner—George P. Word
Attorney, Agent, or Firm—Isaksen, Lathrop, Esch, Hart & Clark

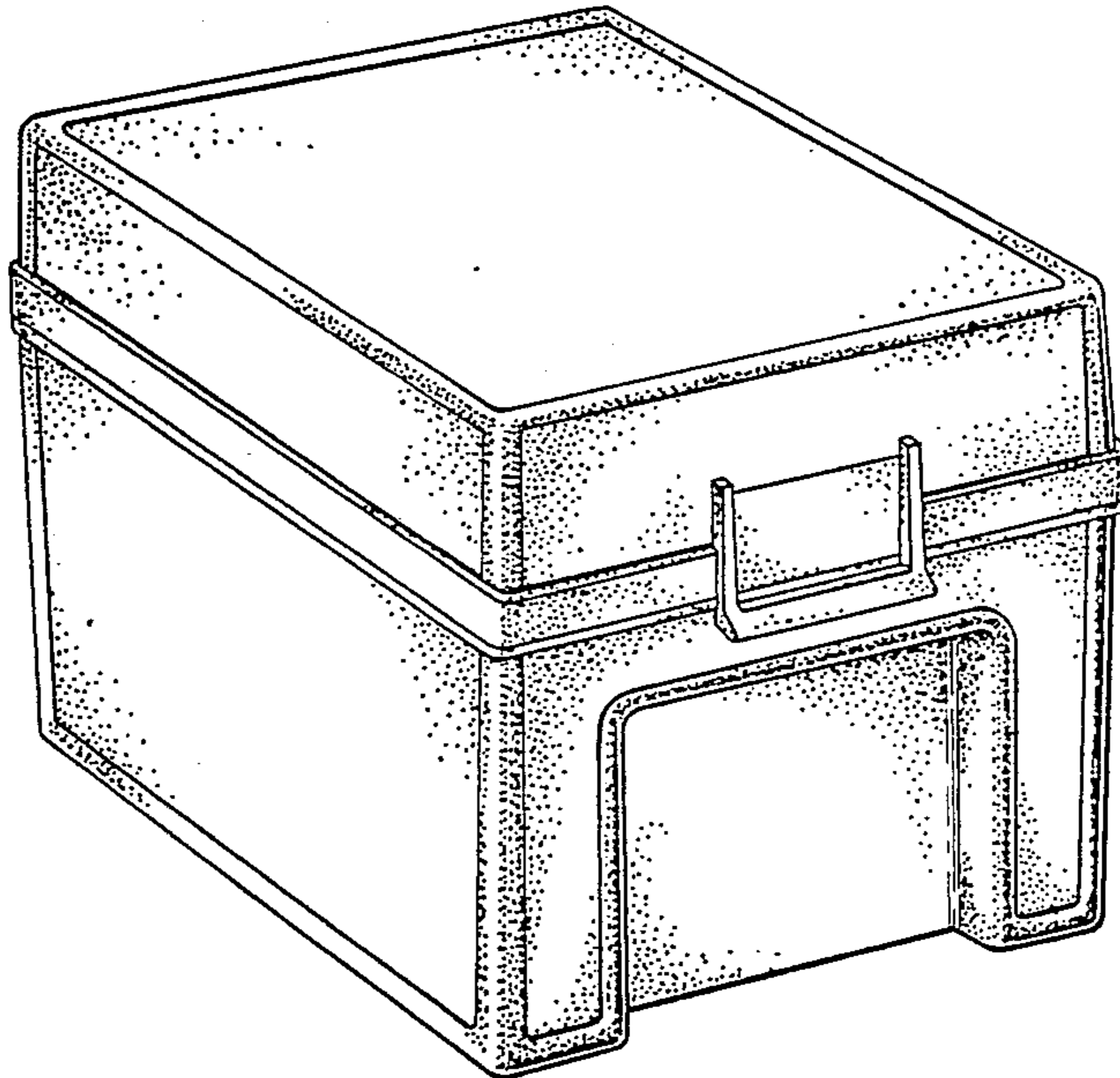
[56] **References Cited**
U.S. PATENT DOCUMENTS

D. 256,029 7/1980 Hampshire et al. D19/76
D. 281,464 11/1985 Drake D3/78

[57] **CLAIM**
The ornamental design for a diskette file box, as shown and described.

DESCRIPTION

FIG. 1 is a perspective view of a diskette file box showing my new design;
FIG. 2 is a rear elevational view thereof;
FIG. 3 is a bottom right side perspective view thereof; and,
FIG. 4 is a top plan view of the diskette file box in the open position showing the interior.



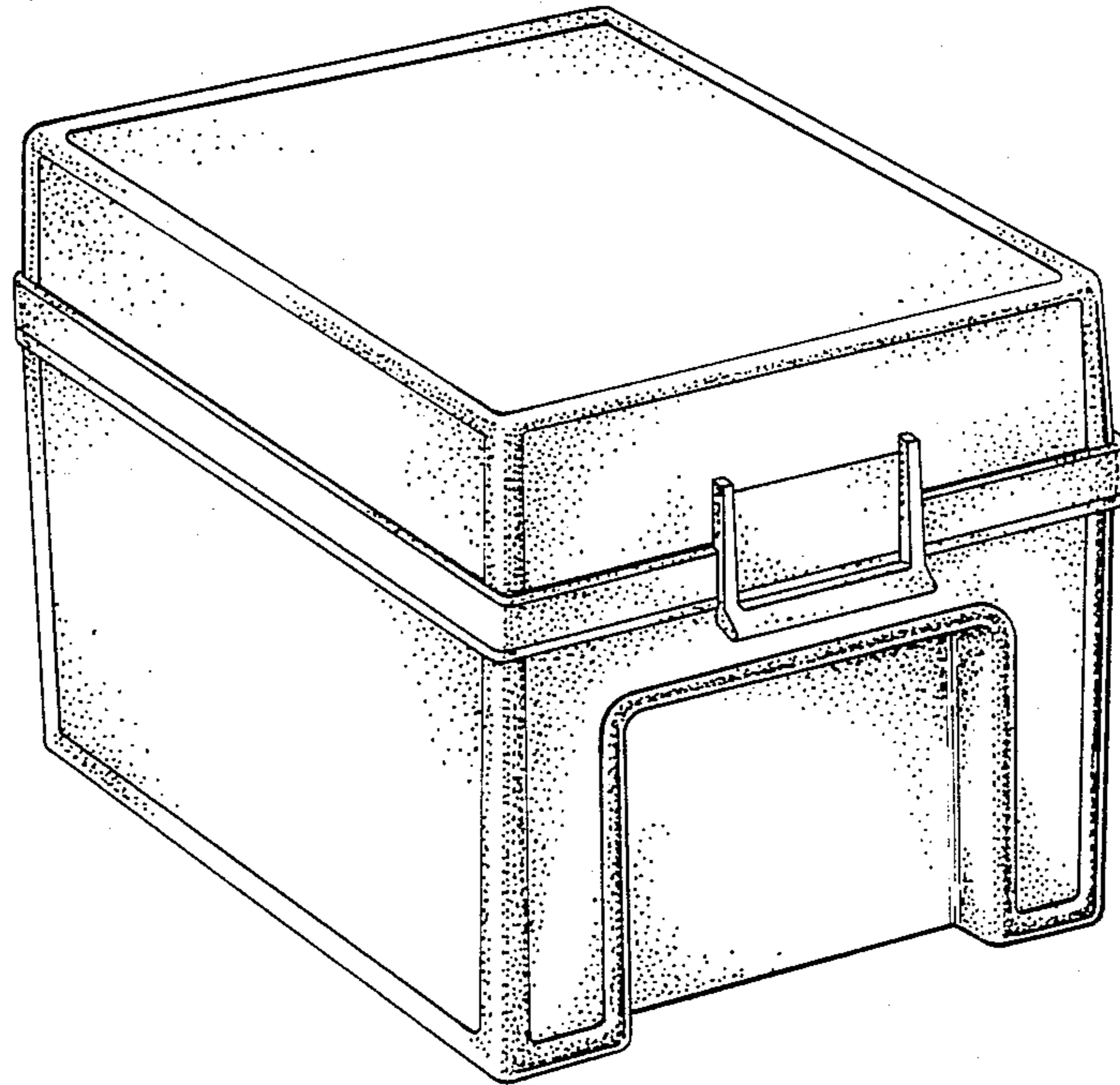


FIG. 1

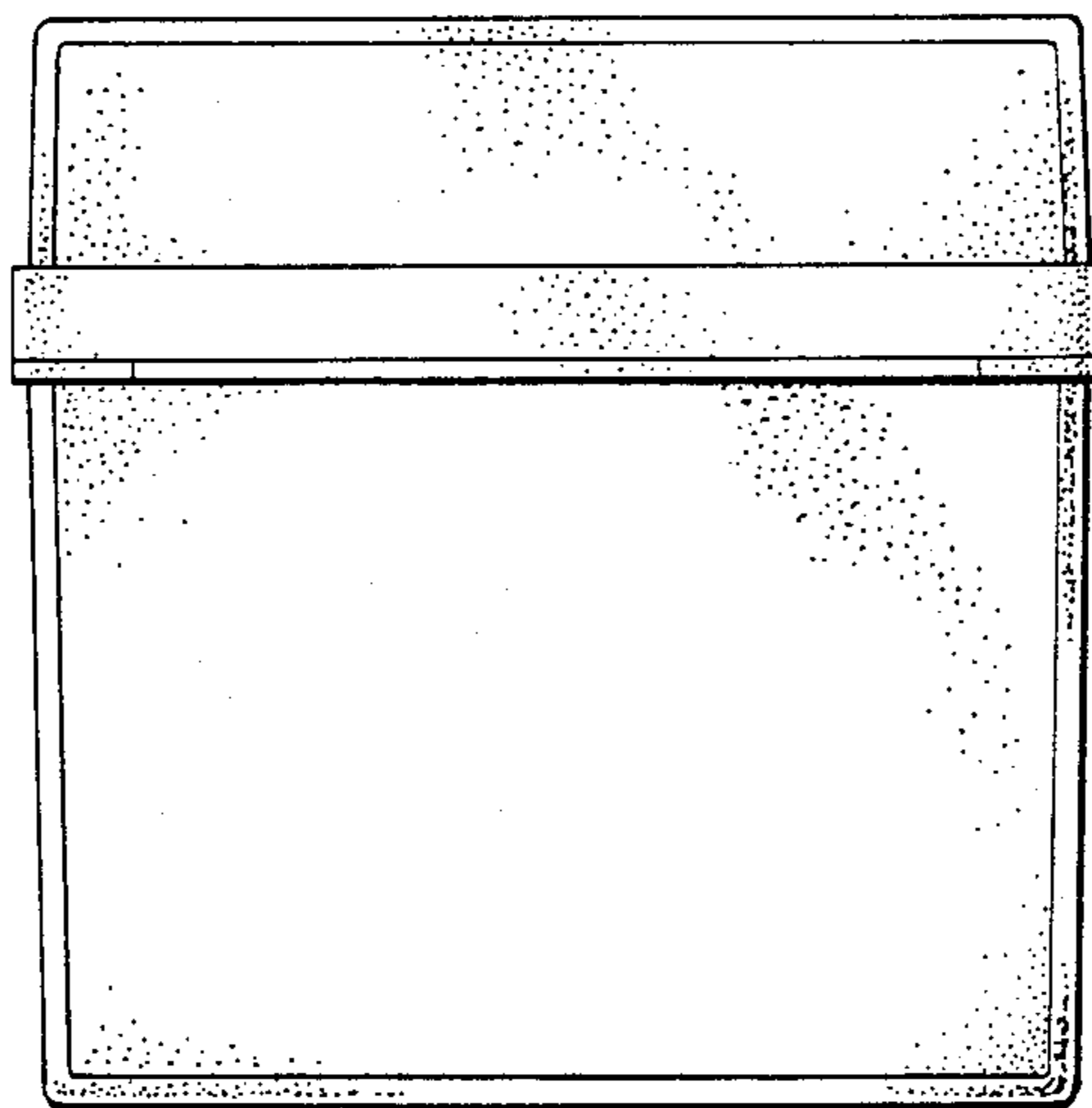


FIG. 2

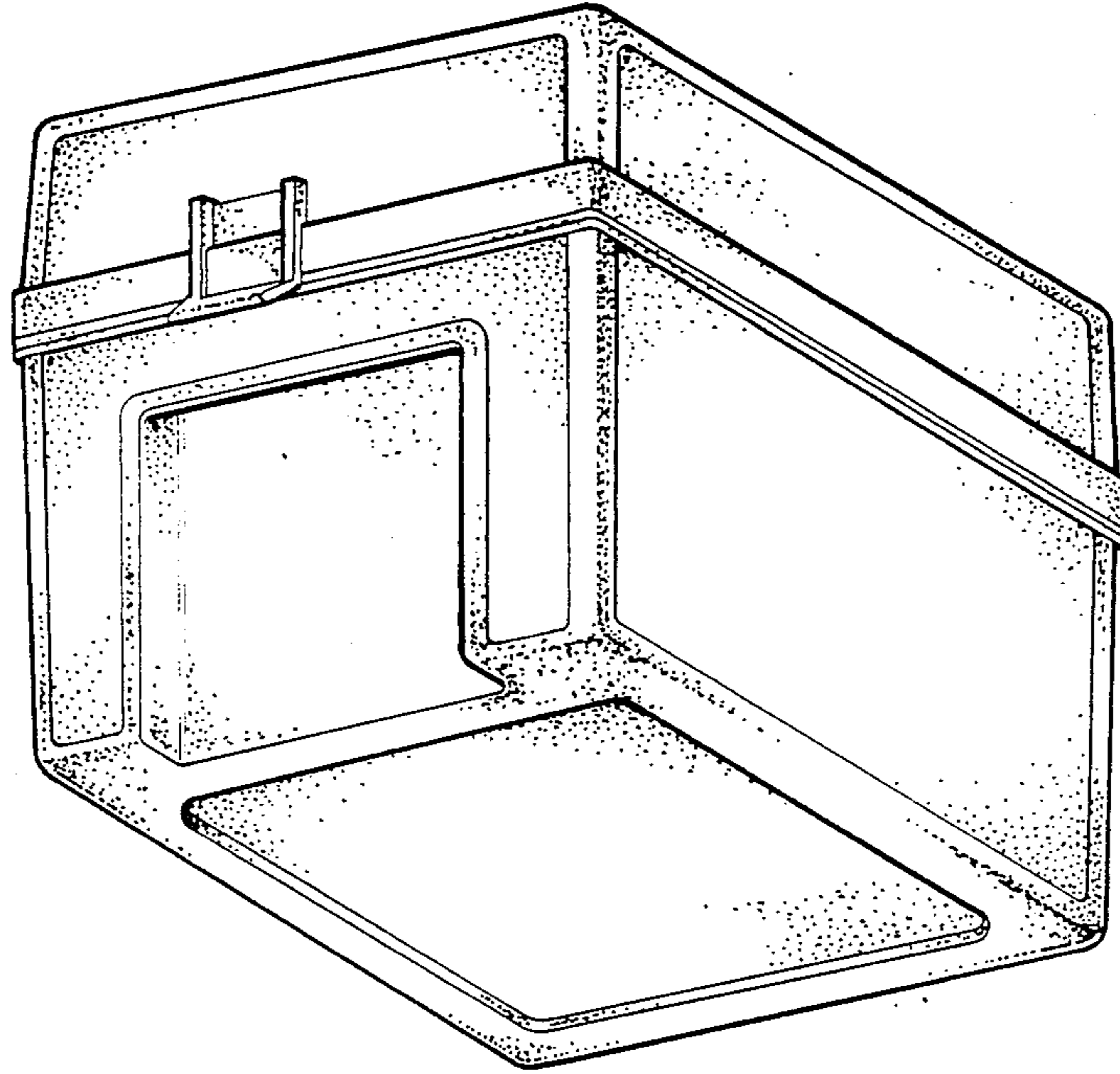


FIG. 3

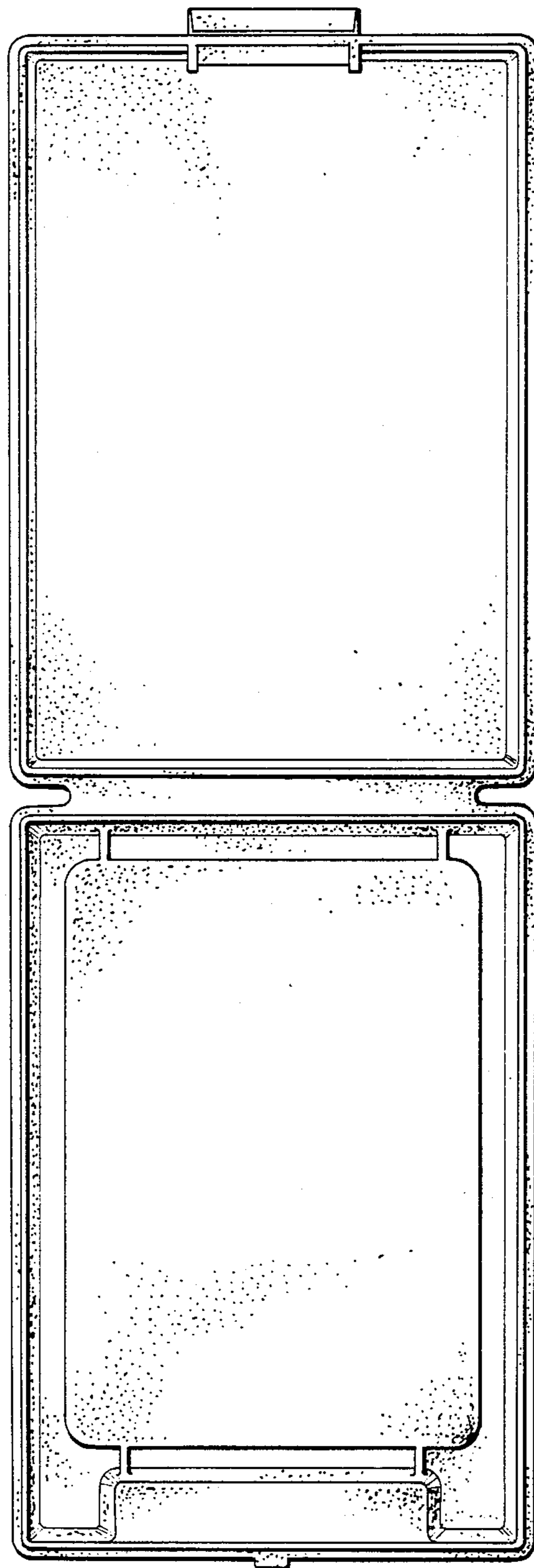


FIG. 4