

[54] COLLAR

[76] Inventor: Harold J. Smith, 3828 Bobstone Dr.,
Sherman Oaks, Calif. 91423

[**] Term: 14 Years

[21] Appl. No.: 769,600

[22] Filed: Aug. 26, 1985

[52] U.S. Cl. D2/602

[58] Field of Search D2/600-609;
2/129

[56] References Cited

U.S. PATENT DOCUMENTS

D. 2,135	7/1865	Boggs	D2/602
D. 24,259	4/1895	Weldon	D2/602
D. 32,844	6/1900	Adt	D2/602
D. 41,549	7/1911	Schramm	D2/602
819,593	5/1906	Pine	2/129
1,613,653	1/1927	Goetting	2/129
2,032,778	3/1936	Touloumis	2/129

FOREIGN PATENT DOCUMENTS

629309 4/1936 Fed. Rep. of Germany 2/129 X

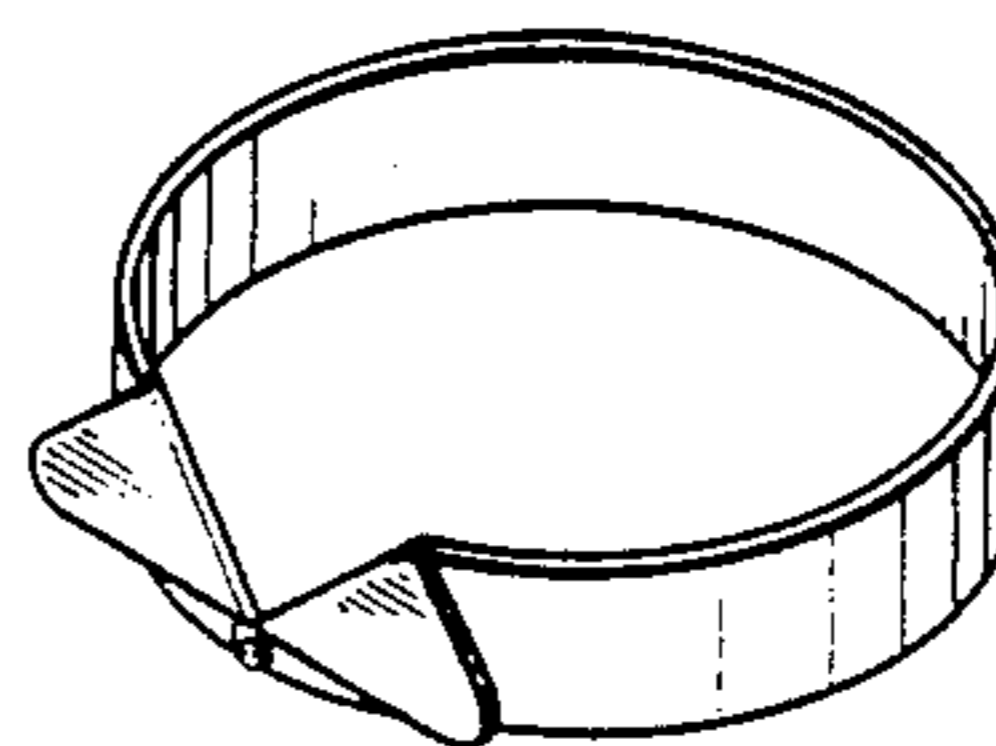
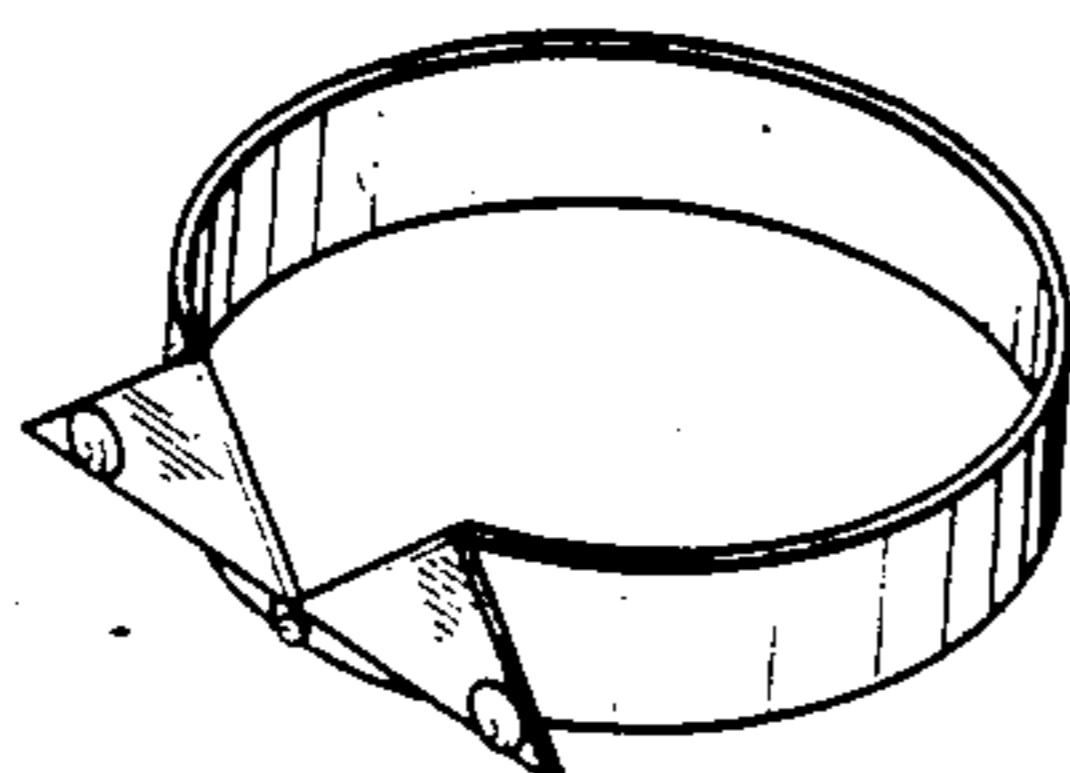
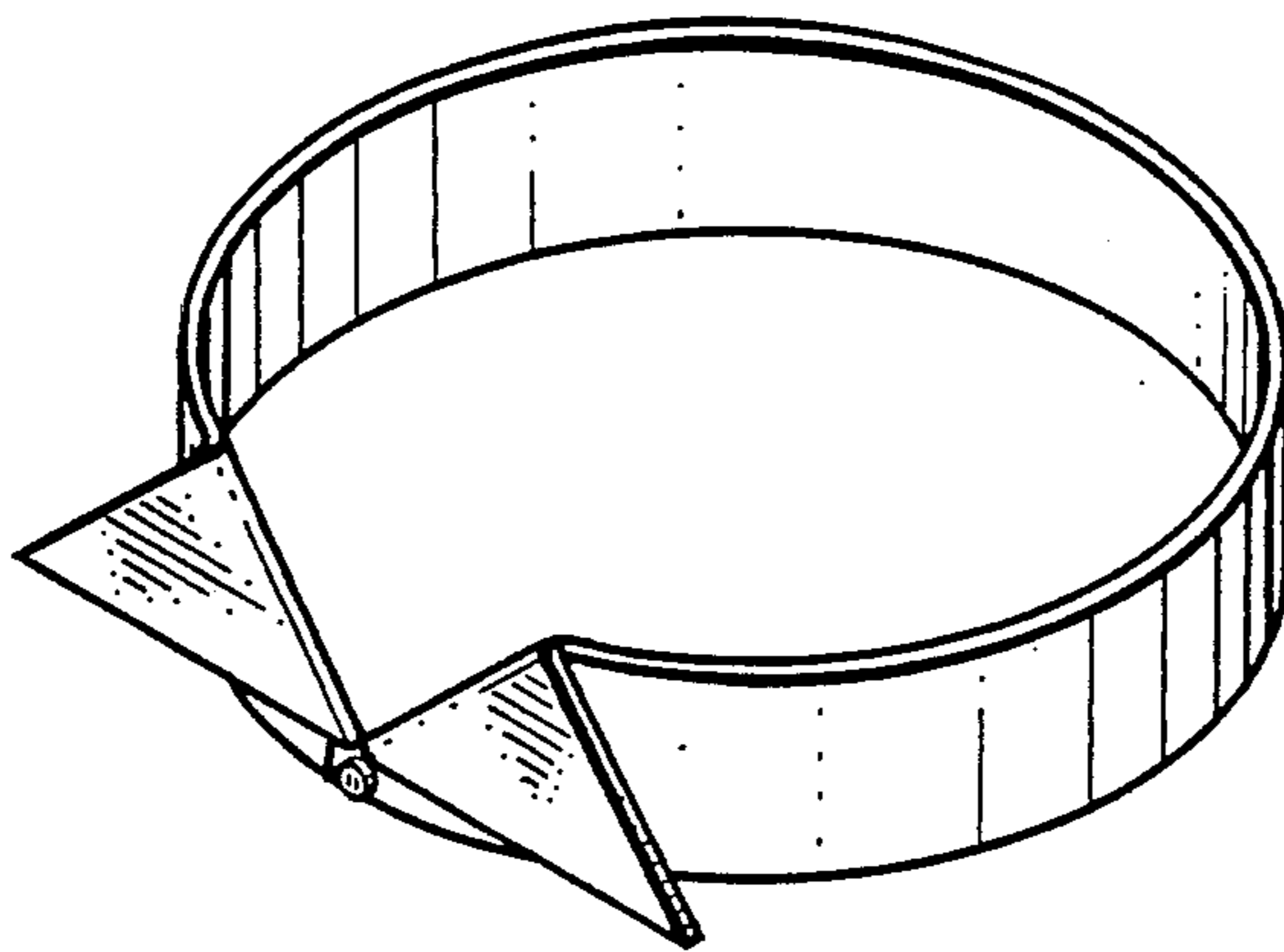
Primary Examiner—Carmen H. Vales

[57] CLAIM

The ornamental design for a collar, as shown and described.

DESCRIPTION

FIG. 1 is a perspective view of a collar showing my new design;
FIG. 2 is a front elevational view;
FIG. 3 is a side elevational view;
FIG. 4 is a rear elevational view;
FIG. 5 is a top plan view;
FIG. 6 is a bottom plan view;
FIG. 7 is a perspective view of a second embodiment of the collar shown in FIG. 1;
FIG. 8 is a perspective view of a third embodiment of the collar shown in FIG. 1; and,
FIG. 9 is a perspective view of a fourth embodiment of the collar shown in FIG. 1.



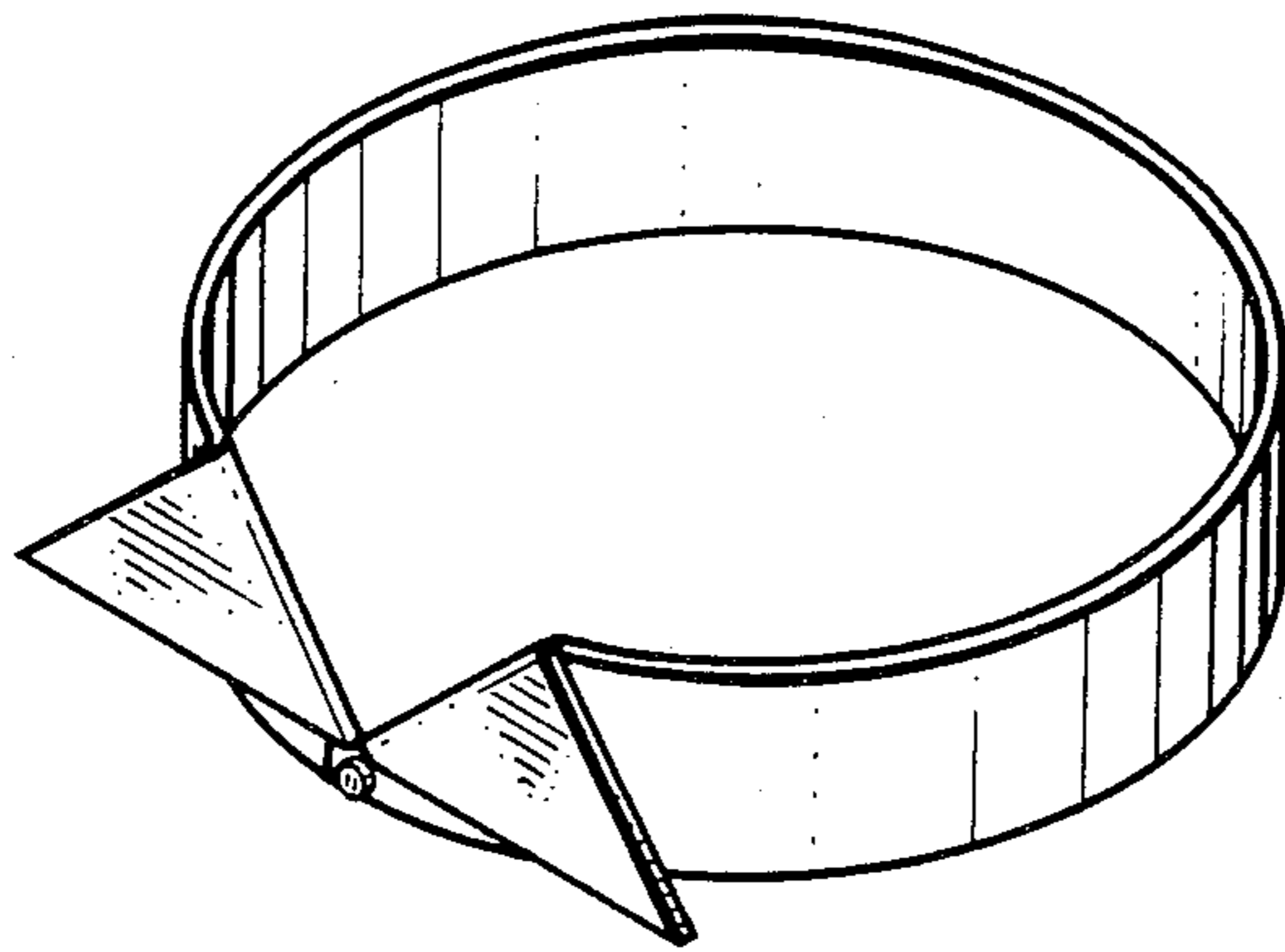


Fig. 1.

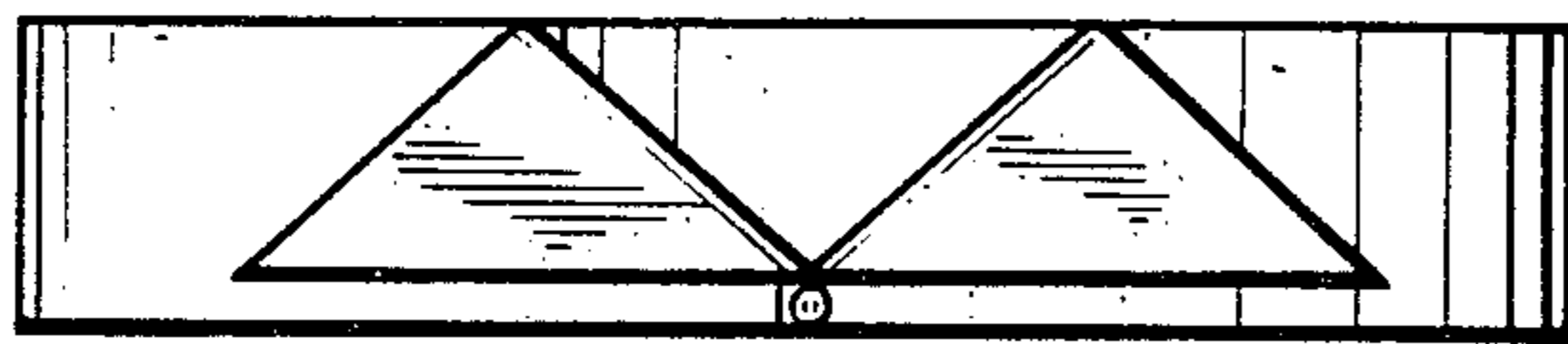


Fig. 2.

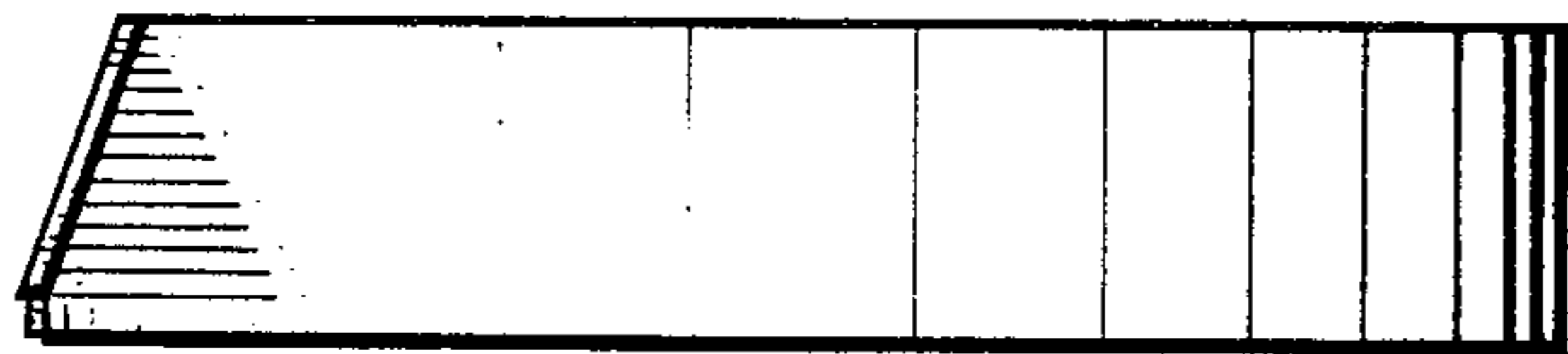


Fig. 3.

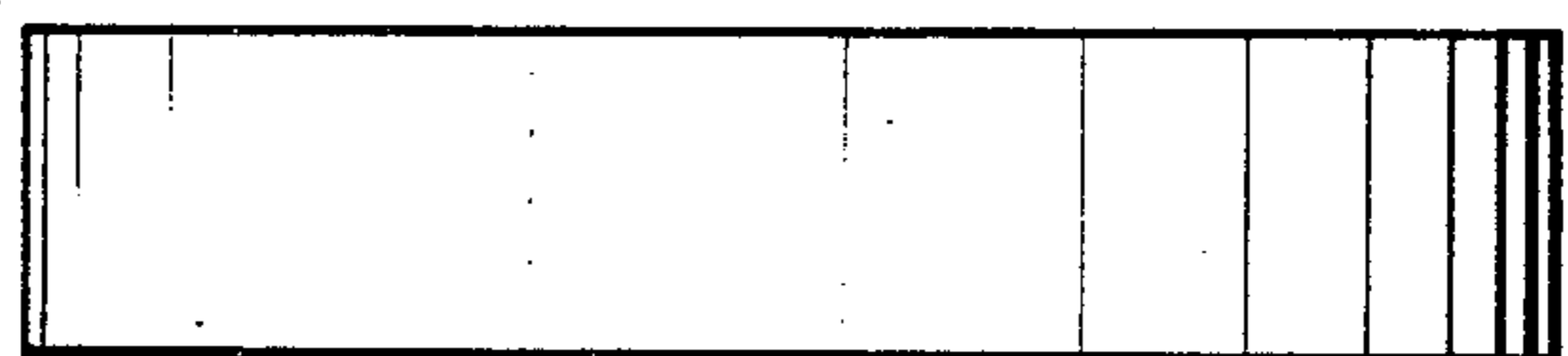


Fig. 4.

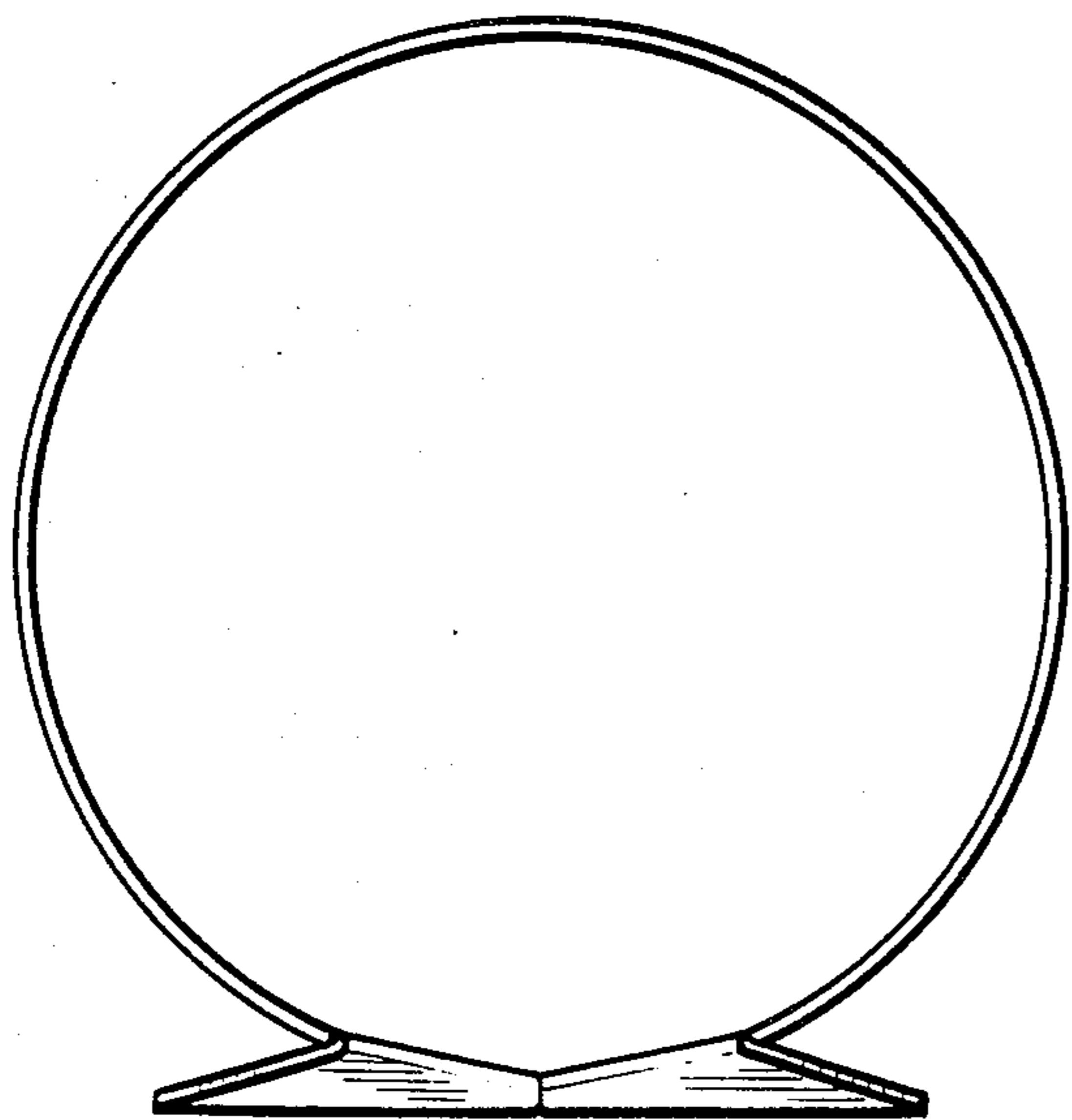


Fig. 5.

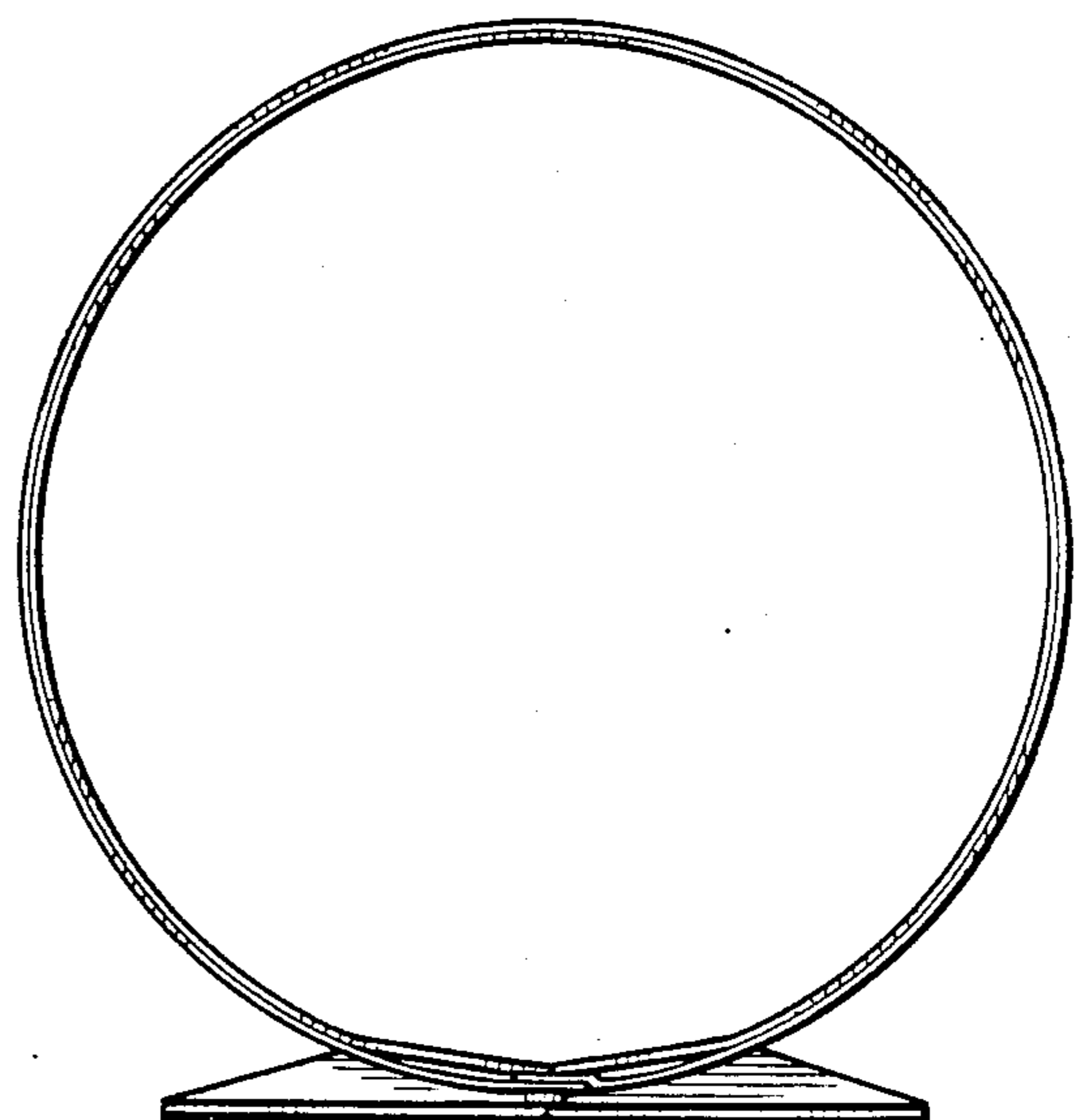


Fig. 6.

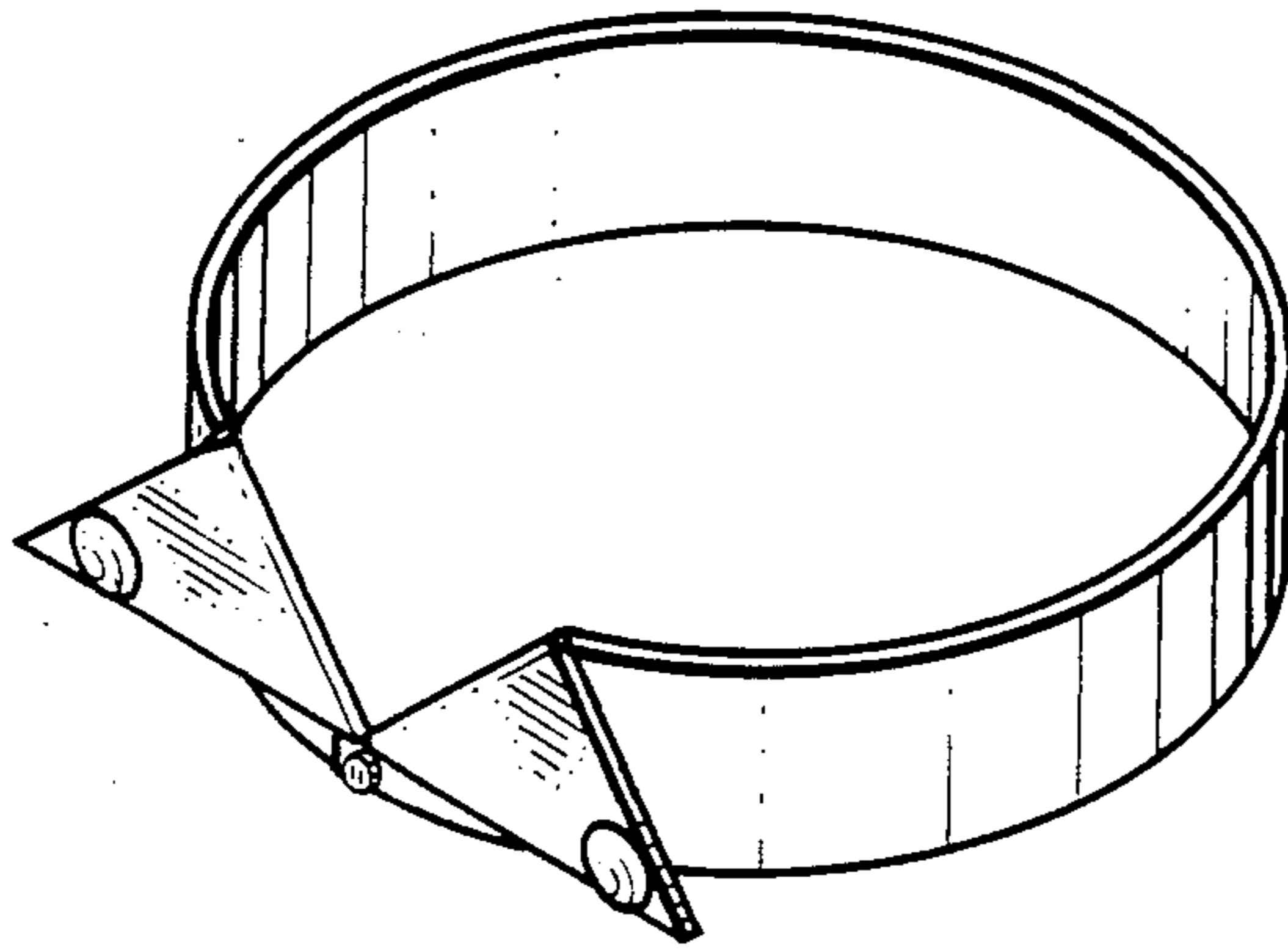


Fig. 7.

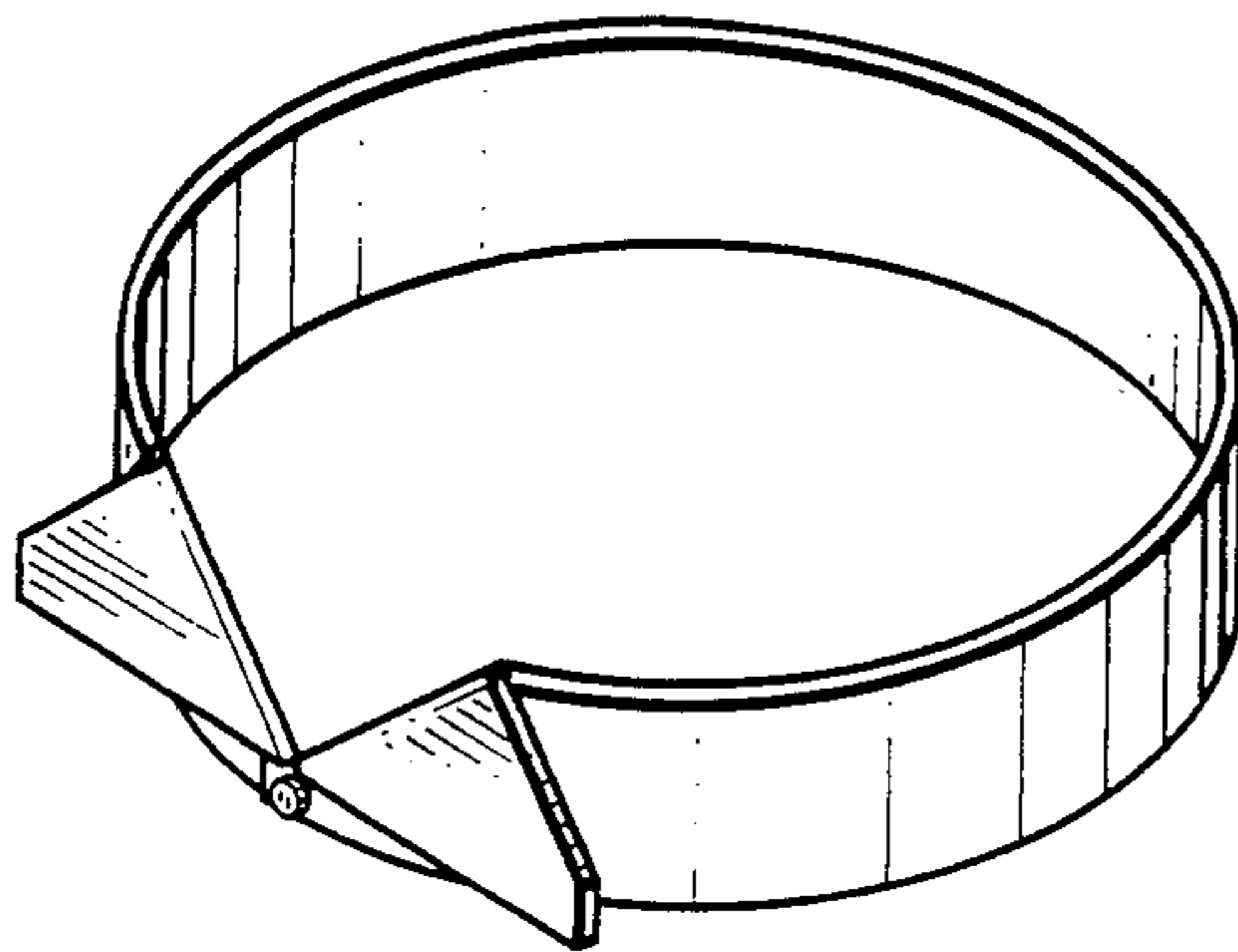


Fig. 8.

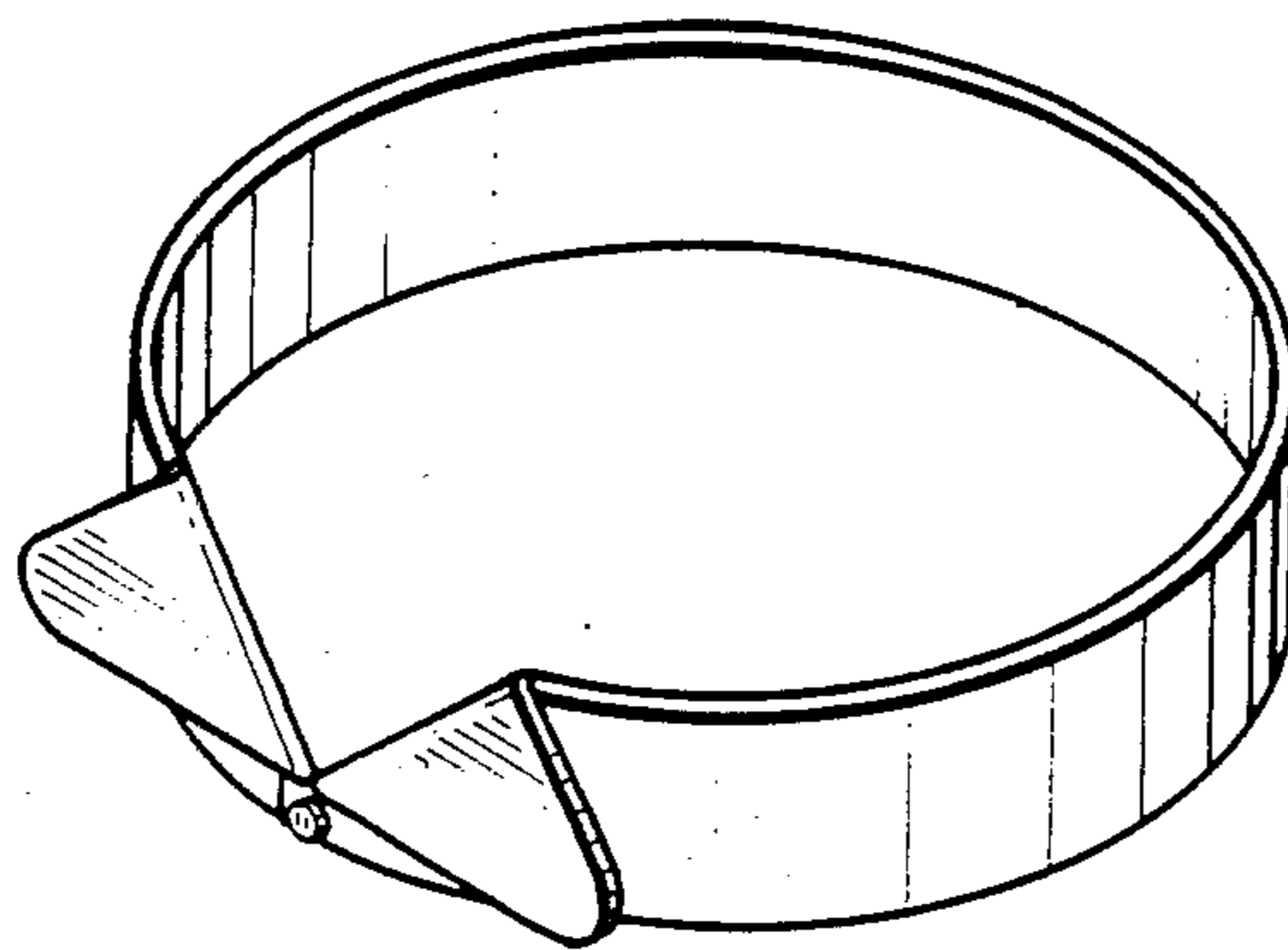


Fig. 9.