

[54] GOLFERS AID

[76] Inventor: John E. Sadowski, 26826 Rouge River Dr., Dearborn Heights, Mich. 48127

[\*\*] Term: 14 Years

[21] Appl. No.: 672,914

[22] Filed: Nov. 19, 1984

[52] U.S. Cl. .... D21/234; D21/208

[58] Field of Search ..... D21/234, 208; 273/183 A, 187 R

[56] References Cited

U.S. PATENT DOCUMENTS

- D. 158,622 5/1950 Sherwin ..... D21/234
- 1,484,064 2/1924 Erickson et al. .... 273/183 A
- 2,710,757 6/1955 Chong ..... 273/183 A

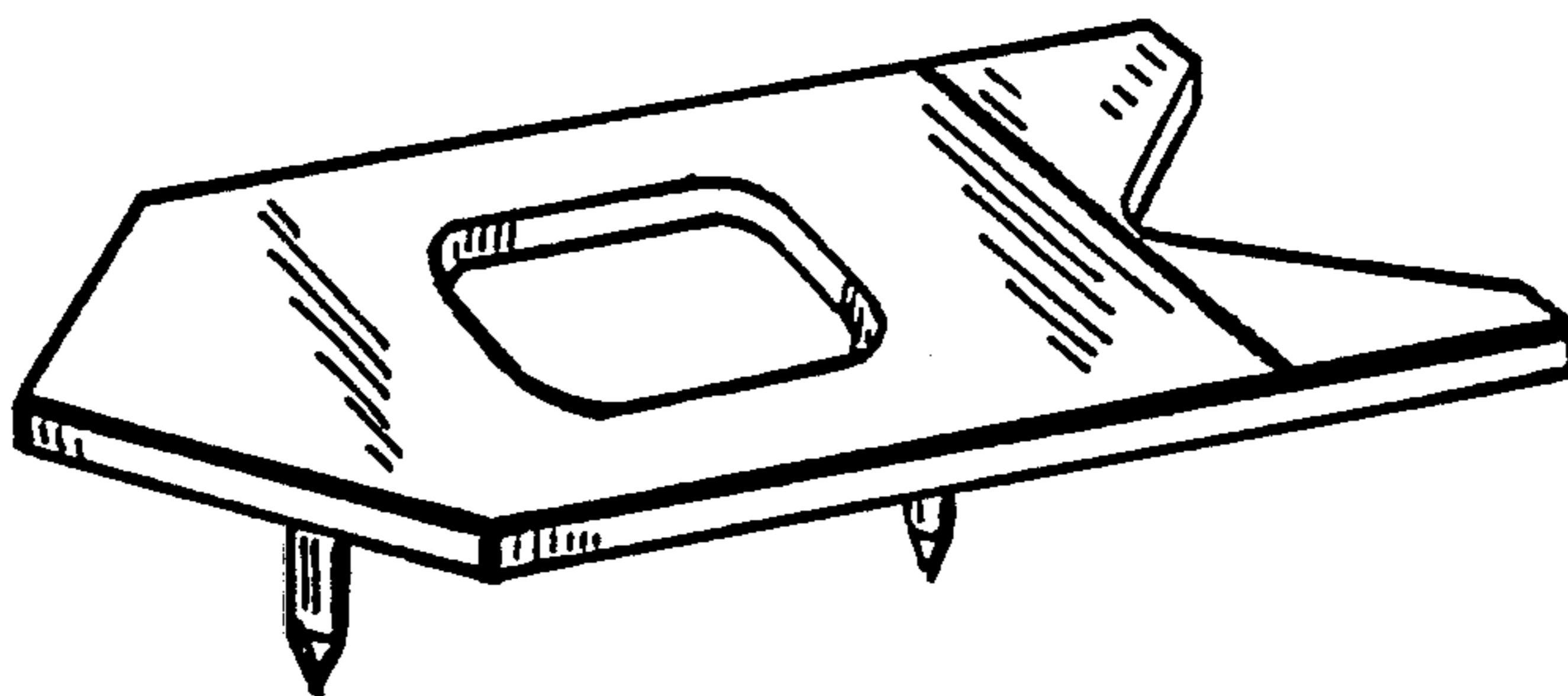
Primary Examiner—Melvin B. Feifer  
Attorney, Agent, or Firm—Charles W. Chandler

[57] CLAIM

The ornamental design for a golfer's aid, as shown and described.

DESCRIPTION

FIG. 1 is a perspective view of a golfer's aid illustrating my new design;  
 FIG. 2 is a plan view of the preferred design;  
 FIG. 3 is a bottom view of the preferred design;  
 FIG. 4 is a side view as seen from the bottom side of FIG. 2, the opposite side being a mirror image thereof;  
 FIG. 5 is a view from one end thereof;  
 FIG. 6 is a view from the opposite end thereof; and  
 FIG. 7 is a side view of another embodiment of my design without the pins of the design of FIGS. 1-6.



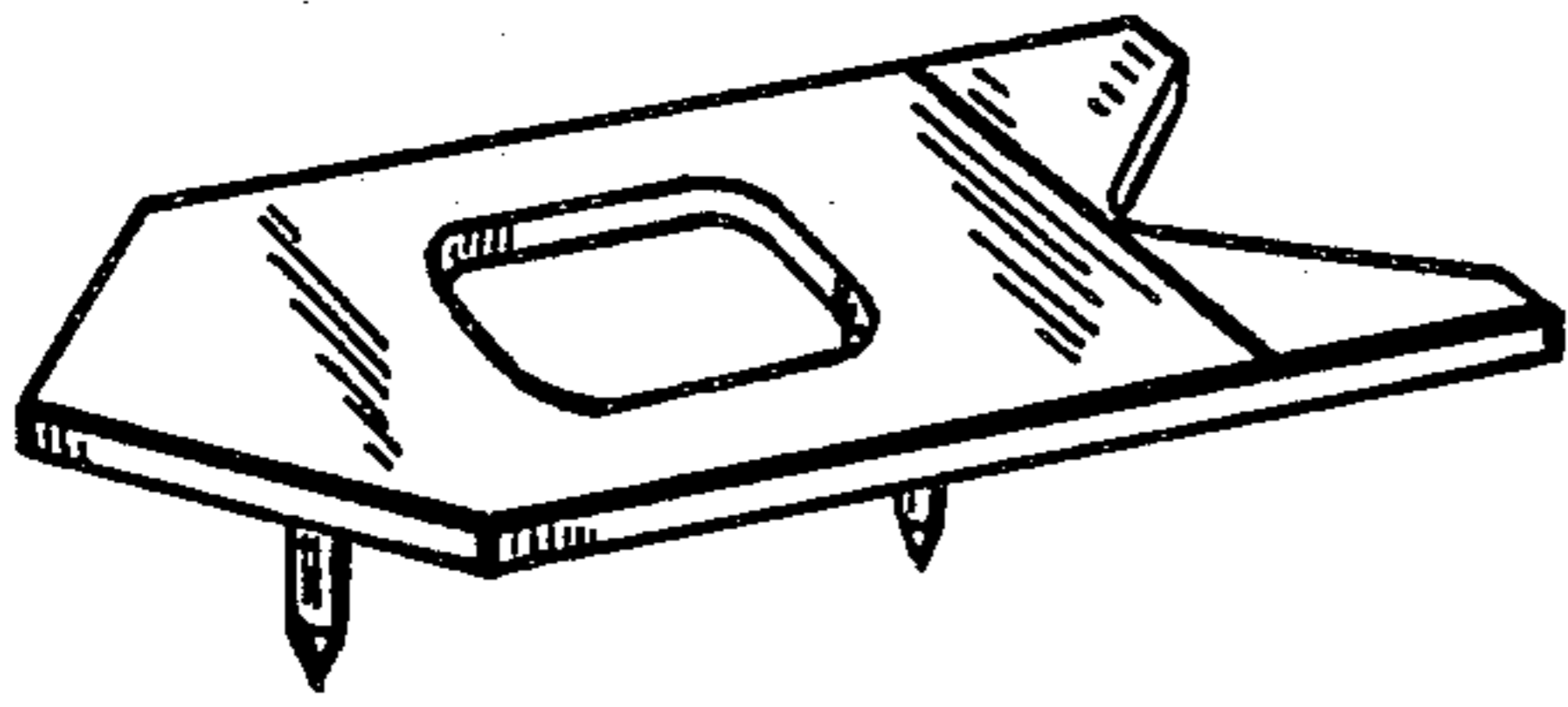


fig. 1

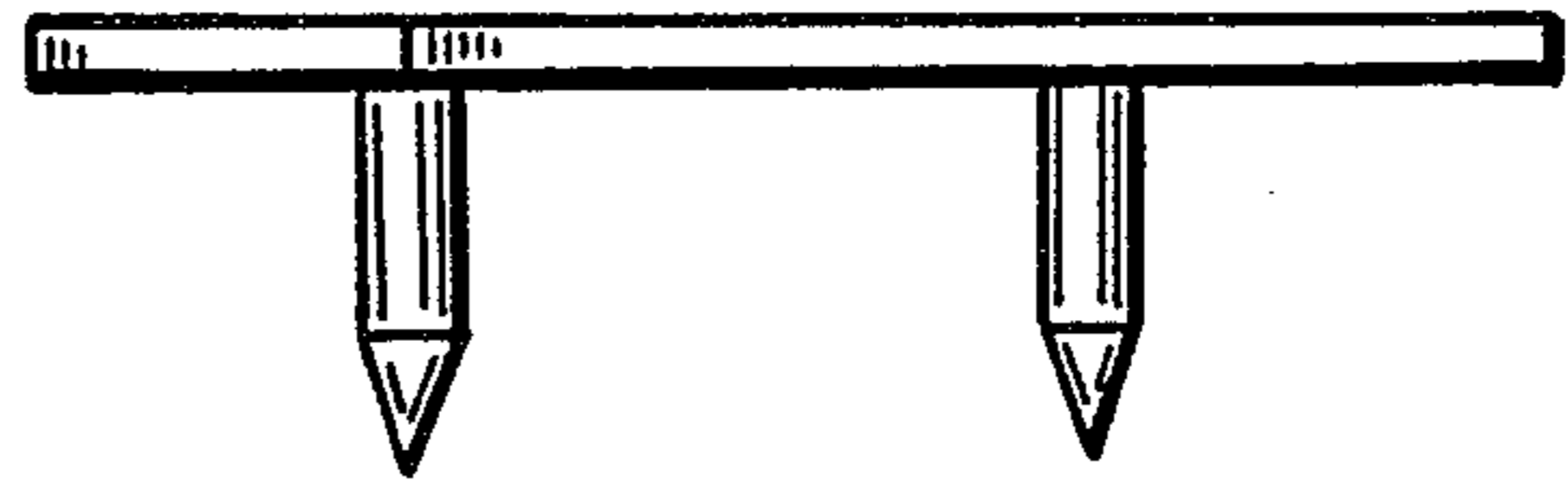


fig. 4

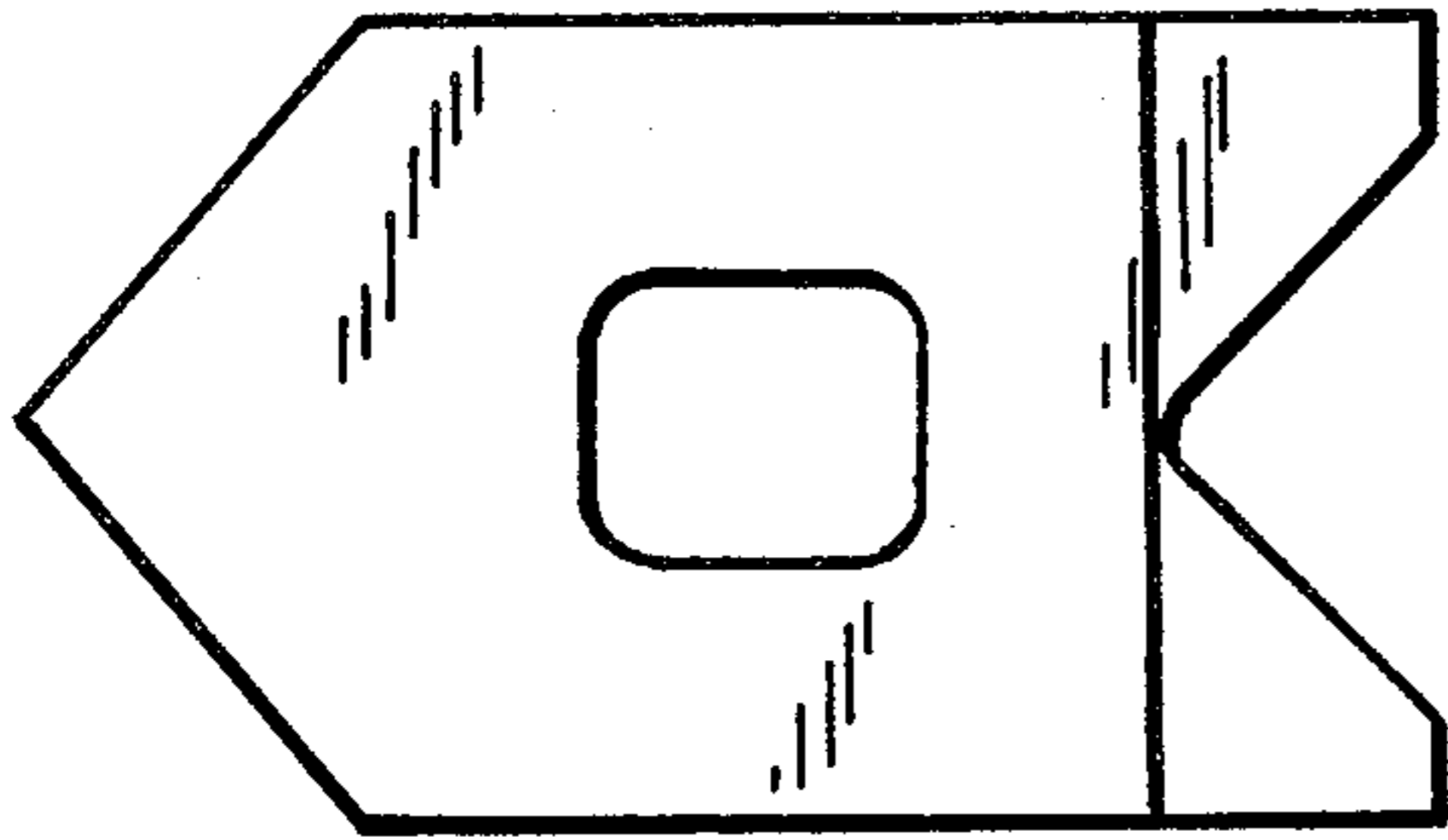


fig. 2

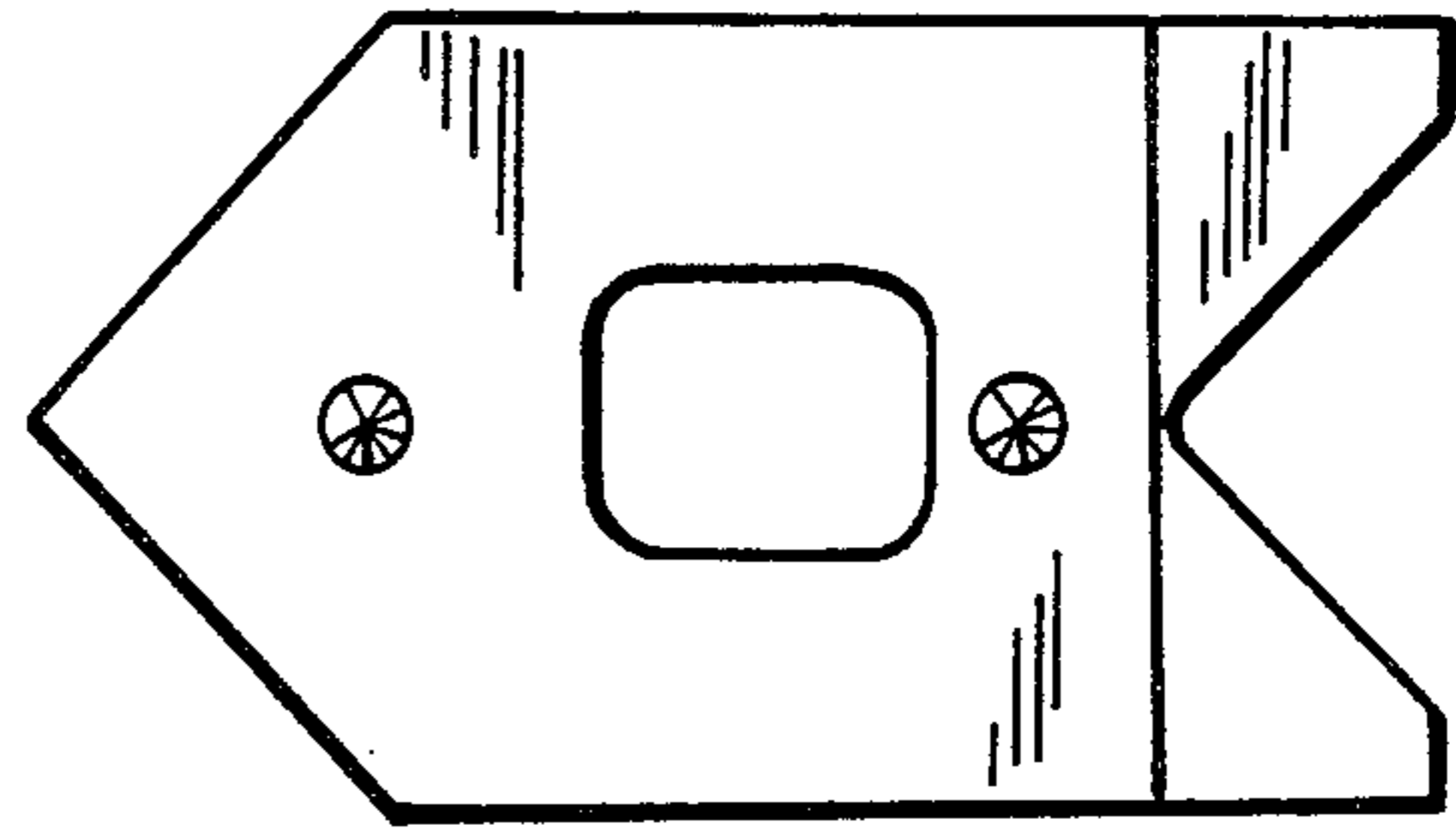


fig. 3

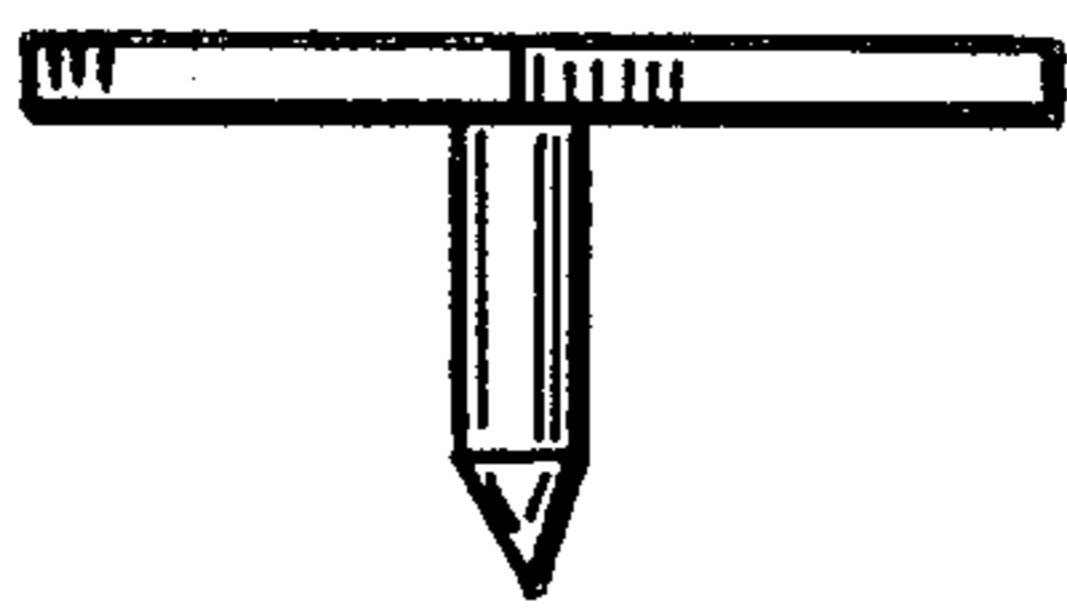


fig. 5

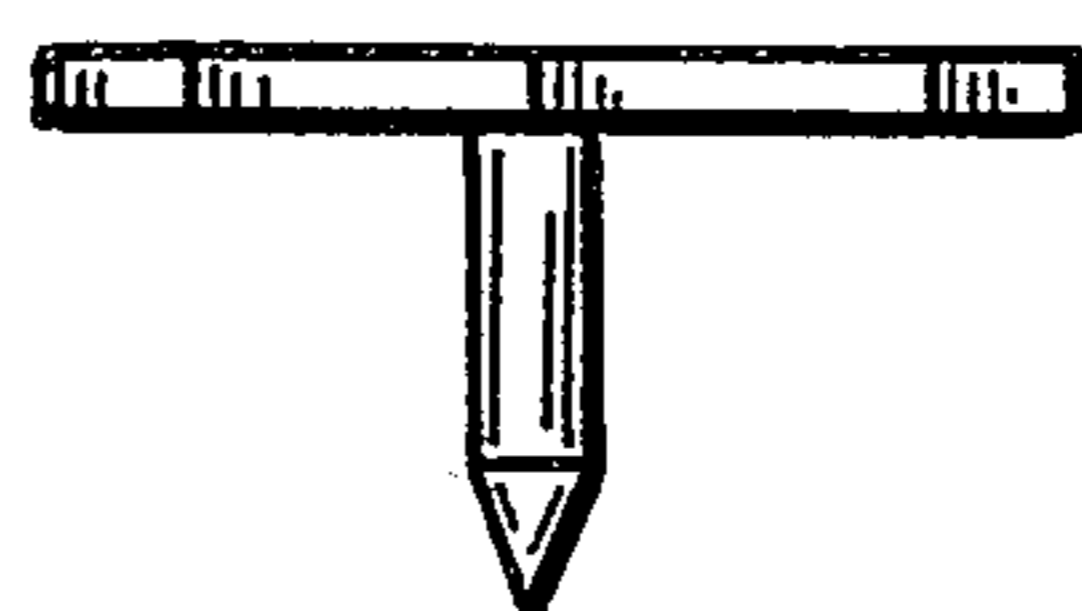


fig. 6



fig. 7